



US00D772318S

(12) **United States Design Patent**
Nam et al.

(10) **Patent No.:** **US D772,318 S**
(45) **Date of Patent:** **** Nov. 22, 2016**

(54) **CUTTING INSERT**
(71) Applicant: **KORLOY INC.**, Seoul (KR)
(72) Inventors: **Ki-Chan Nam**, Cheongju-si (KR); **Hyo San Kim**, Cheongju-si (KR); **Young Heum Kim**, Cheongju-si (KR)
(73) Assignee: **KORLOY INC.**, Seoul (KR)
(**) Term: **15 Years**

D388,444 S *	12/1997	Satran	D15/139
D404,406 S *	1/1999	Satran	D15/139
D485,852 S *	1/2004	Arvidsson	D15/139
D486,505 S *	2/2004	Arvidsson	D15/139
D487,281 S *	3/2004	Roman	D15/139
D637,214 S *	5/2011	Saito	D15/139
D638,041 S *	5/2011	Saito	D15/139
D688,716 S *	8/2013	Lampe	D15/139
D736,841 S *	8/2015	Jung	D15/139
D748,703 S *	2/2016	Nam	D15/139
D752,664 S *	3/2016	Jung	D15/139
D755,267 S *	5/2016	Lee	D15/139

* cited by examiner

(21) Appl. No.: **29/532,870**
(22) Filed: **Jul. 10, 2015**

Primary Examiner — Patricia Palasik
(74) *Attorney, Agent, or Firm* — Rabin & Berdo, P.C.

(30) **Foreign Application Priority Data**

Jan. 22, 2015 (KR) 30-2015-0003442

(51) **LOC (10) Cl.** **15-09**
(52) **U.S. Cl.**
USPC **D15/139**
(58) **Field of Classification Search**
USPC D8/20, 70; D15/126, 131, 138, 139,
D15/140
See application file for complete search history.

(57) **CLAIM**

The ornamental design for a cutting insert, as shown and described.

DESCRIPTION

FIG. 1 is a perspective view of a cutting insert showing my new design;
FIG. 2 is a front elevational view thereof;
FIG. 3 is a rear elevational view thereof;
FIG. 4 is a left side elevational view thereof;
FIG. 5 is a right side elevational view thereof;
FIG. 6 is a top plan view thereof; and,
FIG. 7 is a bottom plan view thereof.

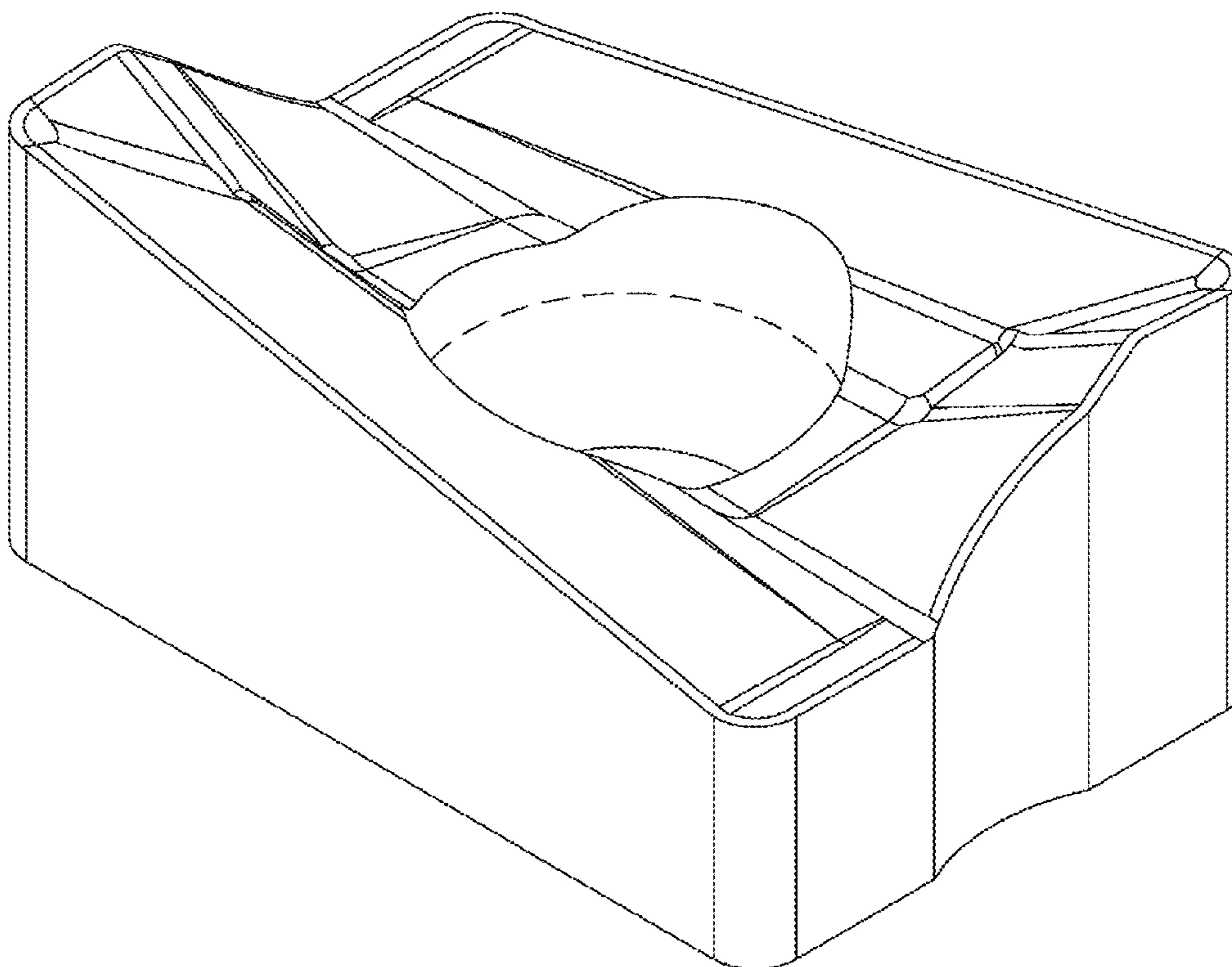
The broken lines in the drawings depict unclaimed environmental subject matter.

(56) **References Cited**

U.S. PATENT DOCUMENTS

D347,642 S *	6/1994	Lindberg	D15/139
D379,360 S *	5/1997	Satran	D15/139

1 Claim, 7 Drawing Sheets



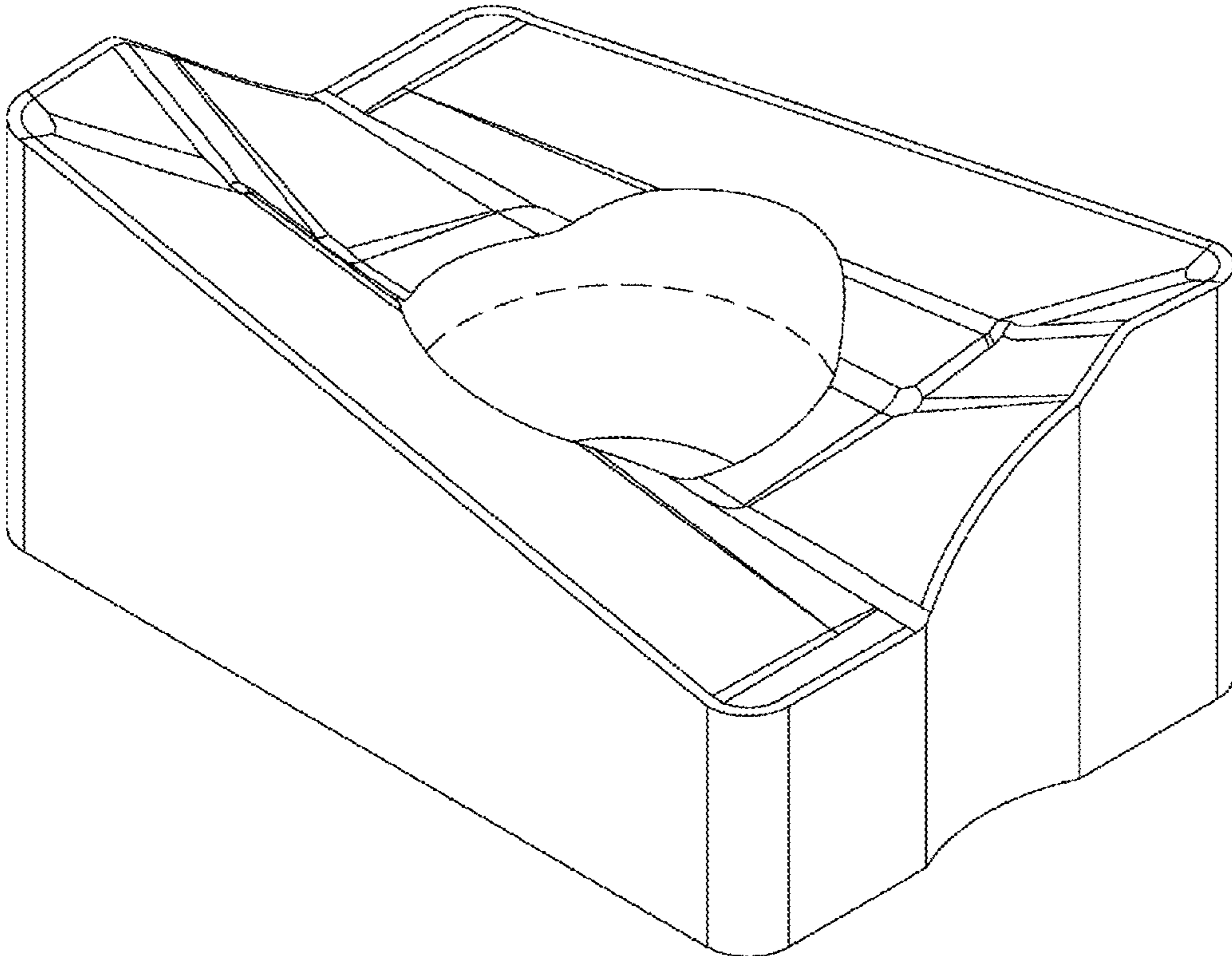


FIG. 1

FIG. 2

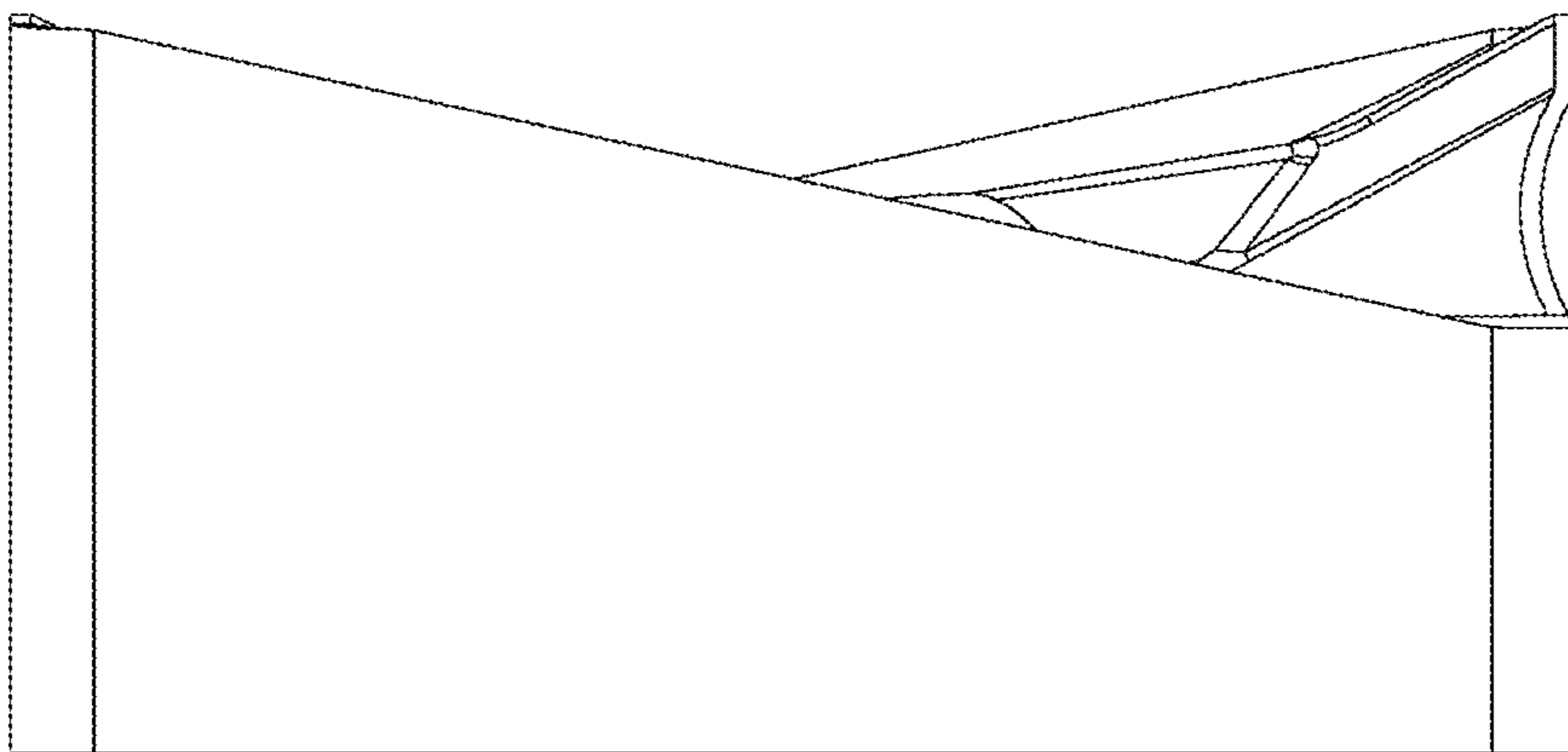


FIG. 3

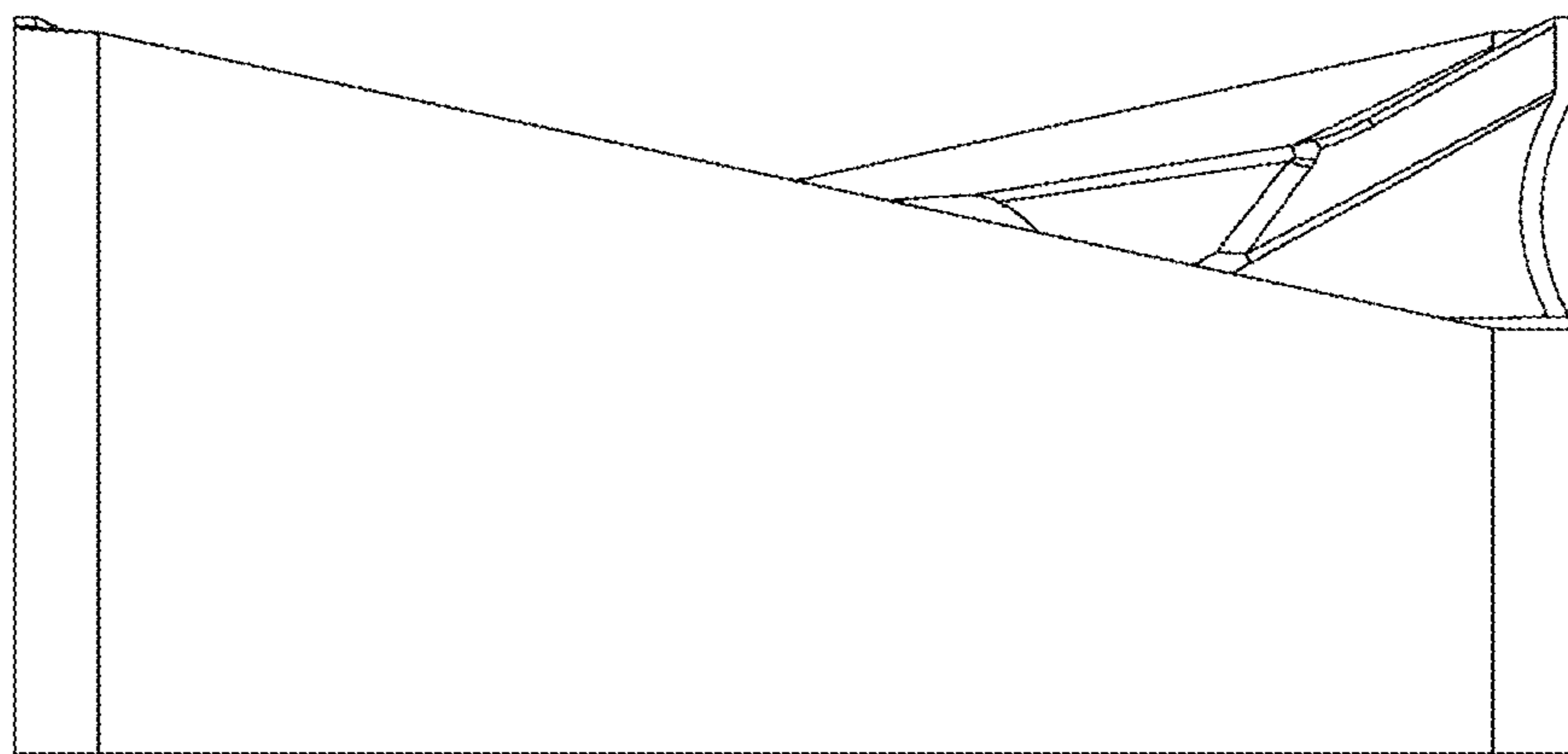


FIG. 4

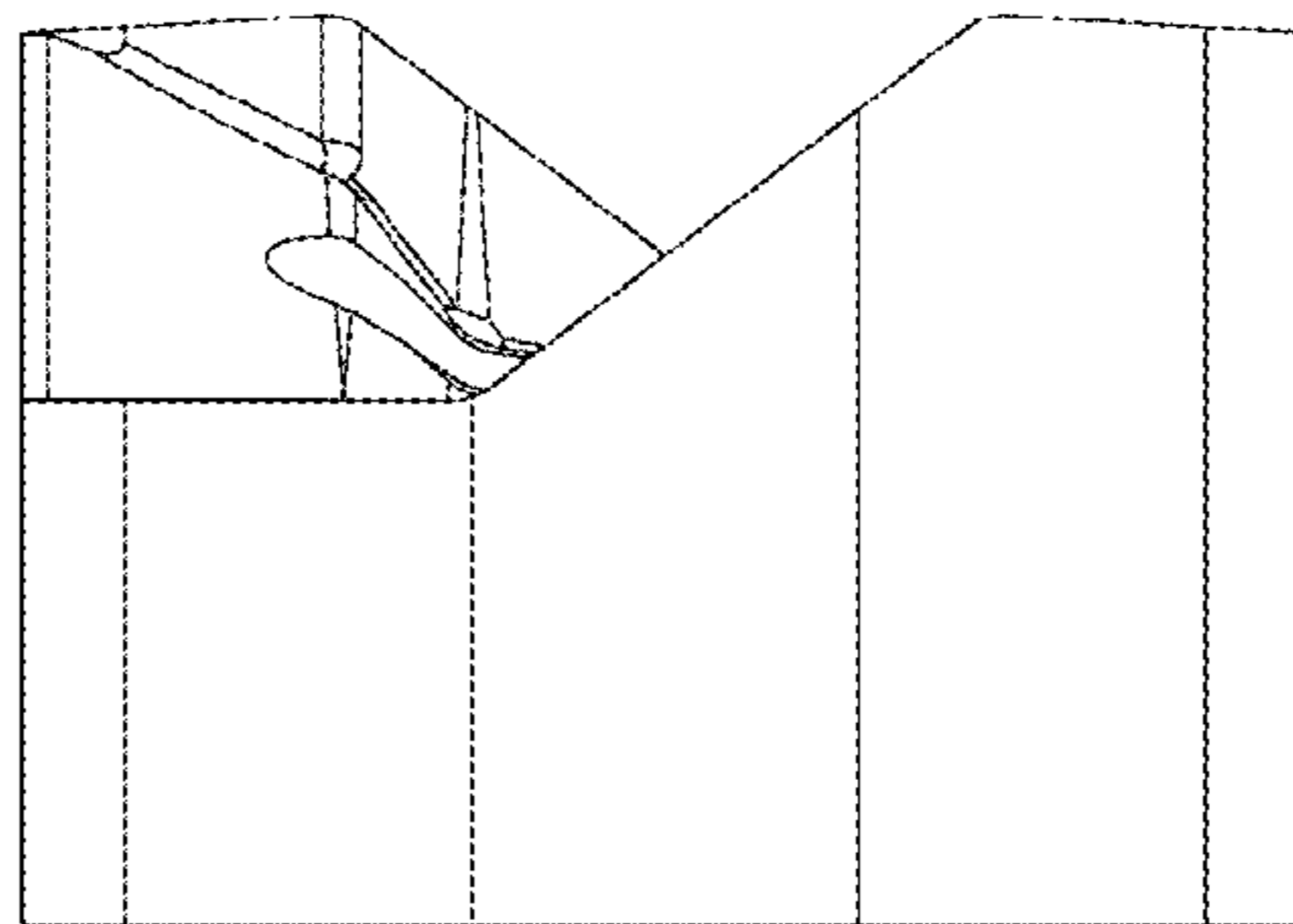


FIG. 5

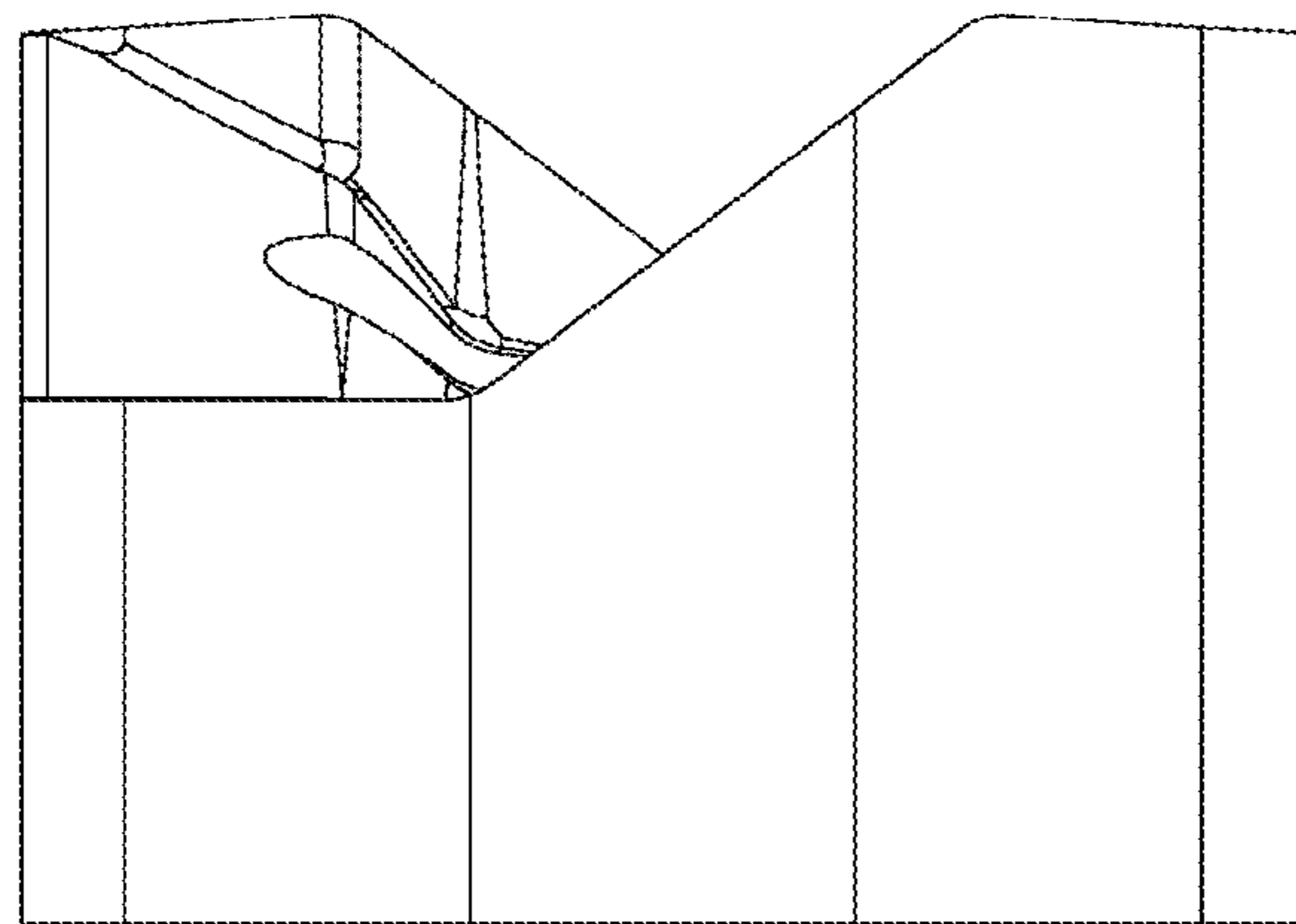


FIG. 6

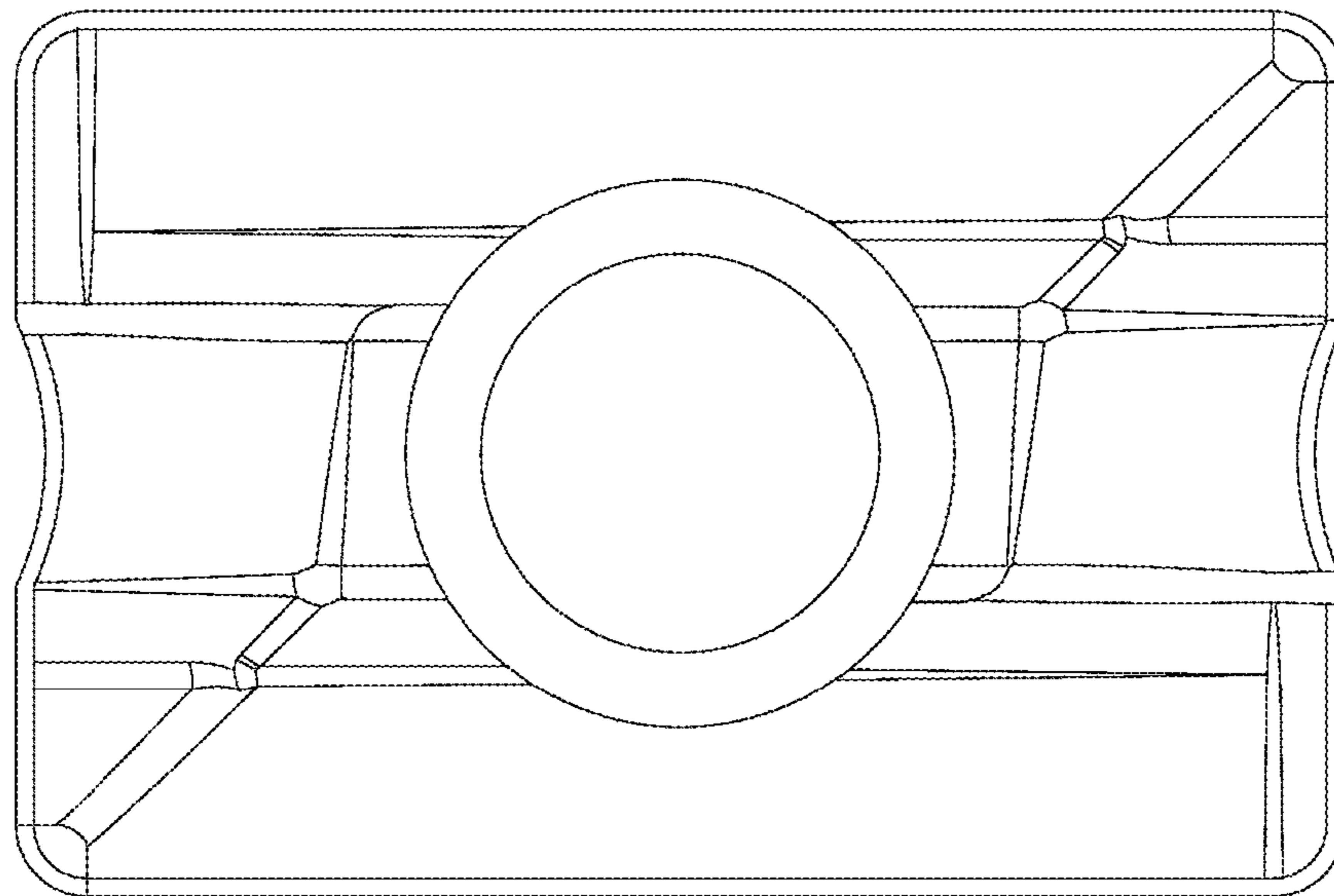


FIG. 7

