



US00D772317S

(12) **United States Design Patent** (10) **Patent No.:** **US D772,317 S**
Johnson et al. (45) **Date of Patent:** **** Nov. 22, 2016**

(54) **KNIFE INSERT**

- (71) Applicant: **Zenith Cutter, Inc.**, Loves Park, IL (US)
- (72) Inventors: **Mark J. Johnson**, Edgerton, WI (US);
Timothy R. Greve, Davis, IL (US)
- (73) Assignee: **Zenith Cutter, Inc.**, Loves Park, IL (US)
- (**) Term: **14 Years**

(21) Appl. No.: **29/522,650**

(22) Filed: **Apr. 1, 2015**

(51) **LOC (10) Cl.** **15-09**

(52) **U.S. Cl.**
USPC **D15/139**

(58) **Field of Classification Search**
USPC D15/139, 140; D8/70, 98; D25/119,
D25/48.2, 121, 38.1, 41.1, 136
CPC ... B02C 18/18; B02C 18/0084; B02C 18/00;
B02C 18/086; B02C 18/16; B02C 18/14;
B27G 13/10; B27G 13/04; Y10T 407/192;
Y10T 407/1938; B27L 11/005; B29B
2017/044

See application file for complete search history.

(56) **References Cited**

U.S. PATENT DOCUMENTS

3,126,931 A 3/1964 Blanshine et al.
3,163,918 A 1/1965 Emmons

(Continued)

FOREIGN PATENT DOCUMENTS

DE 4406675 9/1994
GB 1208458 10/1970

OTHER PUBLICATIONS

SSSDynamics, Inc., Sutton-steele radial knife granulators, retrieved from <http://www.sssdynamics.com/docs/size-reduction/sutton-granulators.pdf>, published at least as early as Oct. 2, 2014, 4 pages.

(Continued)

Primary Examiner — Susan Bennett Hattan

Assistant Examiner — Brett Miller

(74) *Attorney, Agent, or Firm* — Michael Best & Friedrich LLP

(57) **CLAIM**

We claim the ornamental design for a knife insert, as shown and described.

DESCRIPTION

FIG. 1 is a perspective view of a knife insert embodying the present invention.

FIG. 2 is a top view of the knife insert of FIG. 1.

FIG. 3 is a bottom view of the knife insert of FIG. 1.

FIG. 4 is a front view of the knife insert of FIG. 1.

FIG. 5 is a rear view of the knife insert of FIG. 1.

FIG. 6 is a left side view of the knife insert of FIG. 1.

FIG. 7 is a right side view of the knife insert of FIG. 1.

FIG. 8 is a perspective view of another knife insert embodying the present invention.

FIG. 9 is a top view of the knife insert of FIG. 8.

FIG. 10 is a bottom view of the knife insert of FIG. 8.

FIG. 11 is a front view of the knife insert of FIG. 8.

FIG. 12 is a rear view of the knife insert of FIG. 8.

FIG. 13 is a left side view of the knife insert of FIG. 8.

FIG. 14 is a right side view of the knife insert of FIG. 8.

FIG. 15 is a perspective view of another knife insert embodying the present invention.

FIG. 16 is a top view of the knife insert of FIG. 15.

FIG. 17 is a bottom view of the knife insert of FIG. 15.

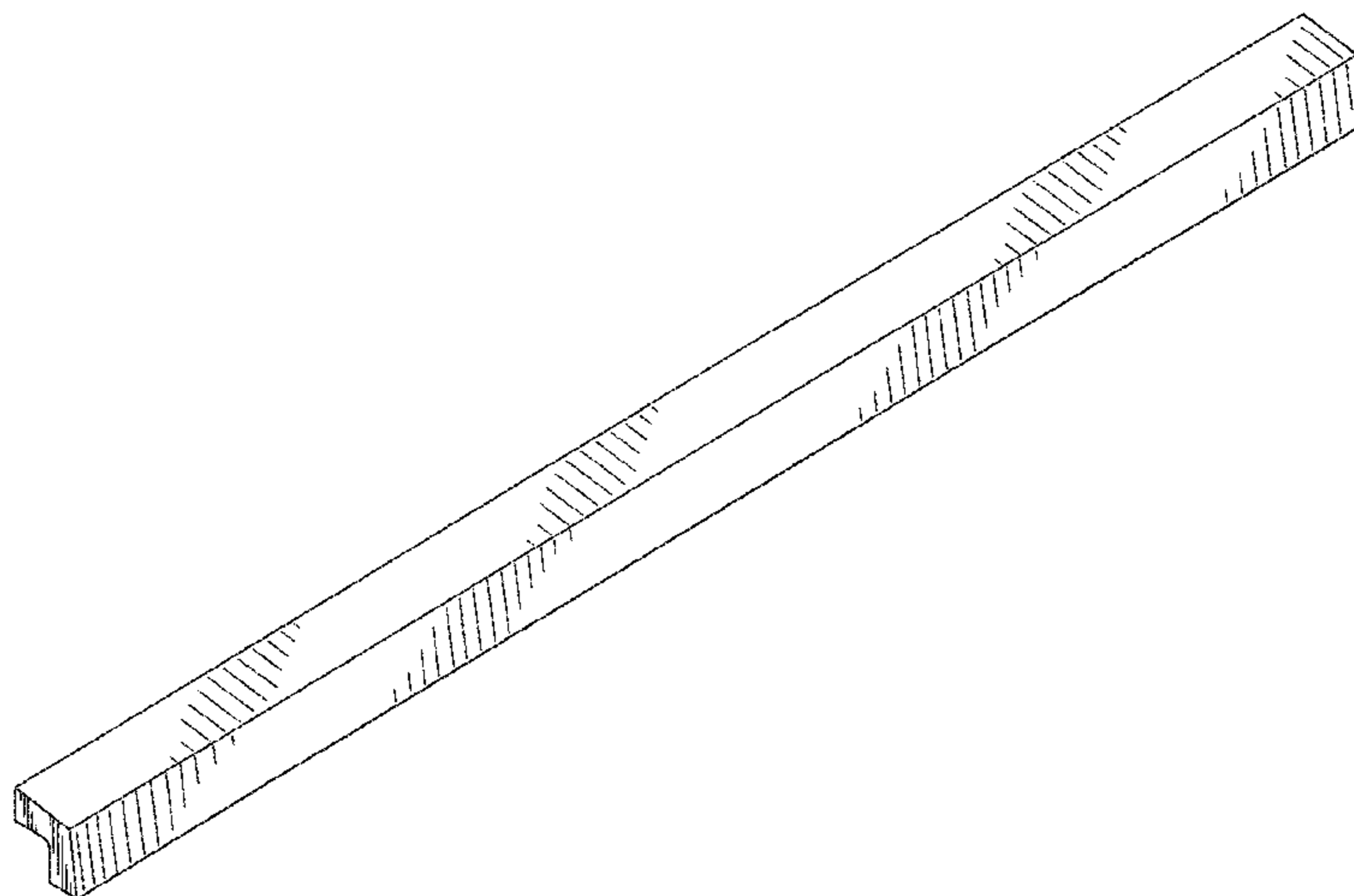
FIG. 18 is a front view of the knife insert of FIG. 15.

FIG. 19 is a rear view of the knife insert of FIG. 15.

FIG. 20 is a left side view of the knife insert of FIG. 15; and,

FIG. 21 is a right side view of the knife insert of FIG. 15.

1 Claim, 9 Drawing Sheets



(56)

References Cited

U.S. PATENT DOCUMENTS

D222,691 S * 12/1971 Lindal D25/119
 3,790,093 A 2/1974 McIntyre
 3,957,211 A 5/1976 Nakamura et al.
 4,028,779 A 6/1977 Shah
 4,106,708 A 8/1978 Kropa
 4,206,882 A 6/1980 Barnes et al.
 4,231,495 A 11/1980 Lund
 4,669,516 A * 6/1987 Carpenter B27L 11/005
 144/176
 4,706,899 A 11/1987 Parker et al.
 4,969,605 A * 11/1990 Morin B02C 18/186
 241/192
 4,977,937 A 12/1990 Hessenthaler
 5,195,685 A 3/1993 Dumaine
 5,474,239 A 12/1995 Williams, Jr. et al.
 D366,995 S 2/1996 Davis
 D370,611 S 6/1996 Frick et al.
 D372,037 S 7/1996 Lane, Jr. et al.
 5,649,579 A * 7/1997 Kokko B27L 11/005
 144/162.1
 D391,378 S * 2/1998 Bannister D25/136
 5,743,472 A 4/1998 Williams, Jr. et al.
 5,775,608 A 7/1998 Dumaine et al.
 5,857,508 A 1/1999 Jonkka
 5,979,522 A 11/1999 Swartwood et al.
 6,058,989 A * 5/2000 LaGrange B27L 11/005
 144/218
 D450,556 S * 11/2001 Biller D15/139
 6,481,650 B1 11/2002 Mori
 D480,483 S * 10/2003 Eichner D25/119
 6,662,837 B2 12/2003 Smith
 6,749,138 B2 6/2004 Hart et al.
 D506,663 S 6/2005 Biller et al.
 6,968,879 B2 11/2005 Schuh et al.
 7,069,969 B2 * 7/2006 Knappett B27G 13/10
 144/176

7,140,408 B1 11/2006 Hinchliff et al.
 7,159,626 B2 * 1/2007 Biller B27G 13/10
 144/176
 D547,465 S * 7/2007 Mann D25/164
 D560,822 S * 1/2008 Flechsig D25/121
 7,938,155 B2 5/2011 Maietta et al.
 8,464,973 B2 6/2013 Karlsson et al.
 8,534,580 B2 9/2013 Rice et al.
 D696,319 S 12/2013 Tempel
 D705,274 S 5/2014 Sirvö
 D725,294 S * 3/2015 Cooke D25/119
 2005/0205162 A1 * 9/2005 Stager B27G 13/10
 144/373
 2006/0208120 A1 * 9/2006 McGehee B27G 13/10
 241/294
 2007/0221766 A1 9/2007 Karlsson et al.
 2009/0000697 A1 * 1/2009 Hinchliff B27G 13/10
 144/230
 2009/0200411 A1 * 8/2009 Stager B27L 11/005
 241/296
 2009/0294016 A1 * 12/2009 Sayres B29C 47/0023
 156/71
 2011/0089279 A1 4/2011 Karlsson et al.
 2011/0108318 A1 * 5/2011 Pawlak E04F 19/04
 174/504
 2013/0309345 A1 11/2013 Dahlheimer et al.
 2014/0027552 A1 * 1/2014 Hinchliff B27L 11/005
 241/300
 2015/0343667 A1 * 12/2015 Robertson B29B 11/02
 425/308

OTHER PUBLICATIONS

Wittmann, Optimal Material Recycling, retrieved from <http://pen-noneplastics.com/sites/default/files/wittmann-granulators.pdf>, published at least as early as Oct. 2, 2014, 12 pages.

* cited by examiner

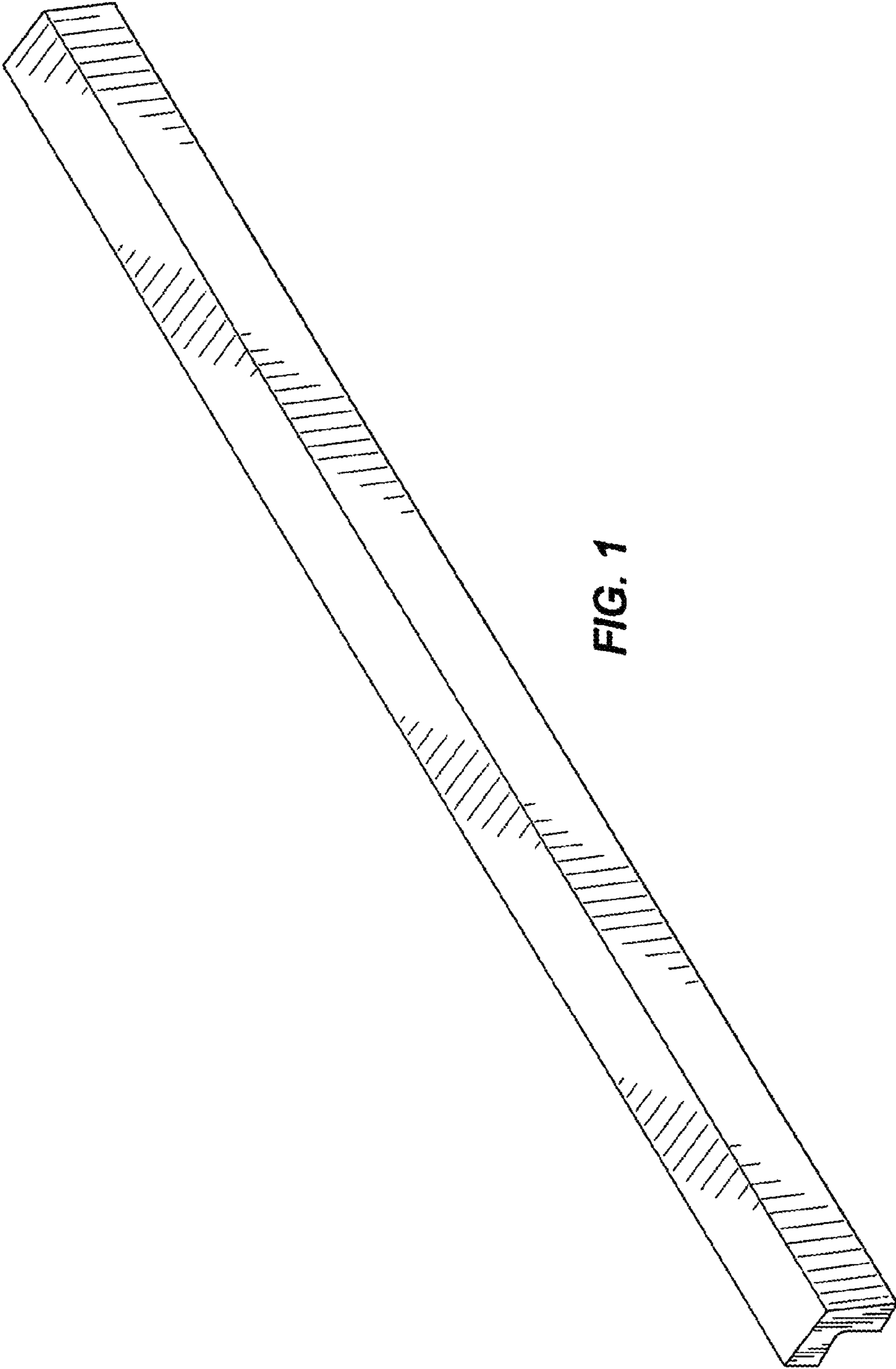


FIG. 1



FIG. 2

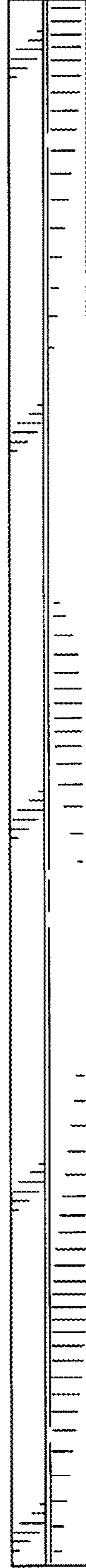


FIG. 3

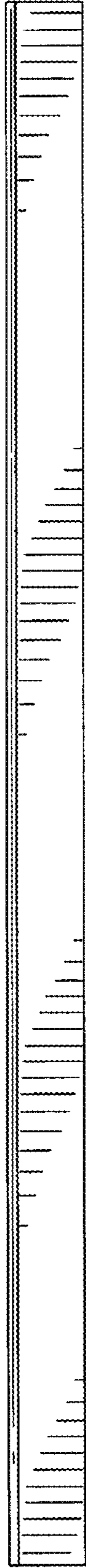


FIG. 4

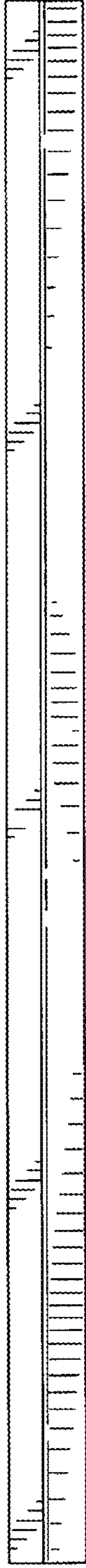


FIG. 5

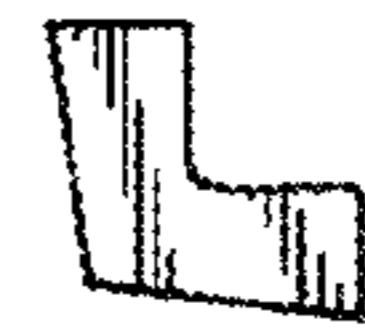


FIG. 6

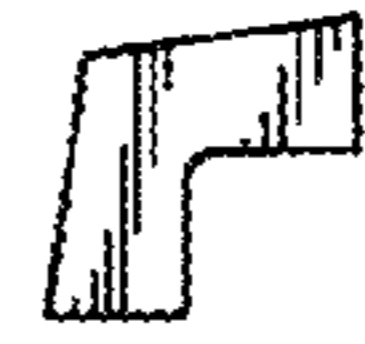


FIG. 7

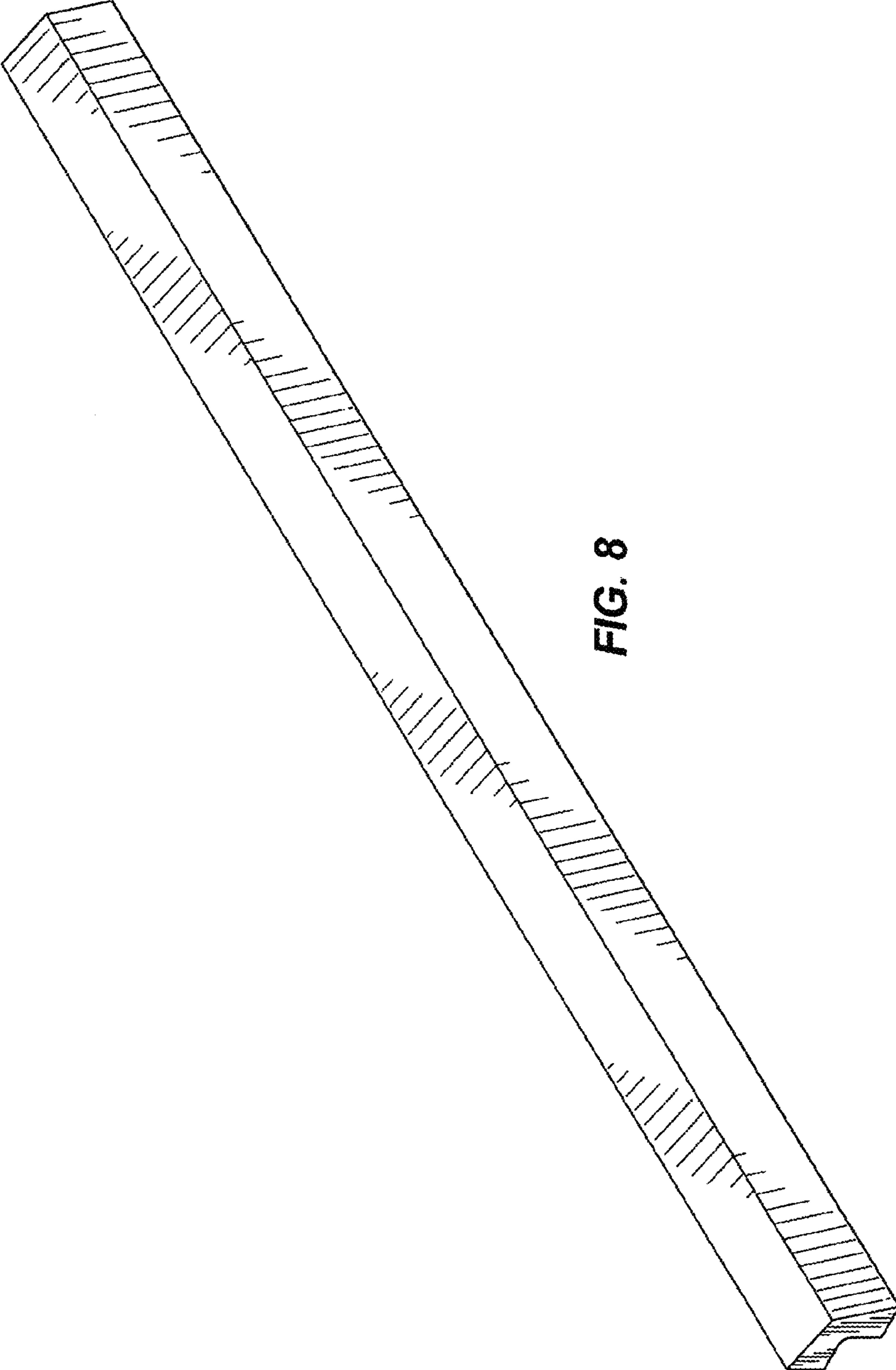


FIG. 8

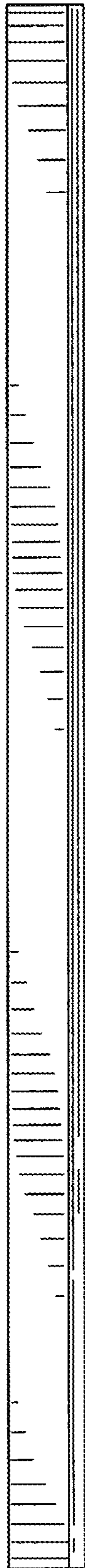


FIG. 9

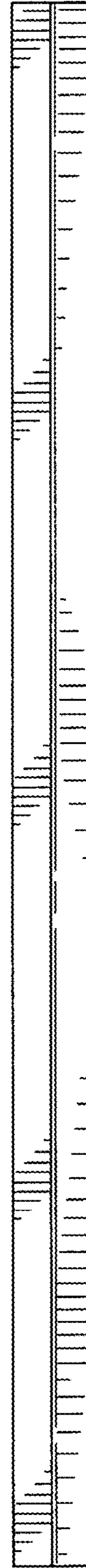


FIG. 10



FIG. 11



FIG. 12



FIG. 13



FIG. 14

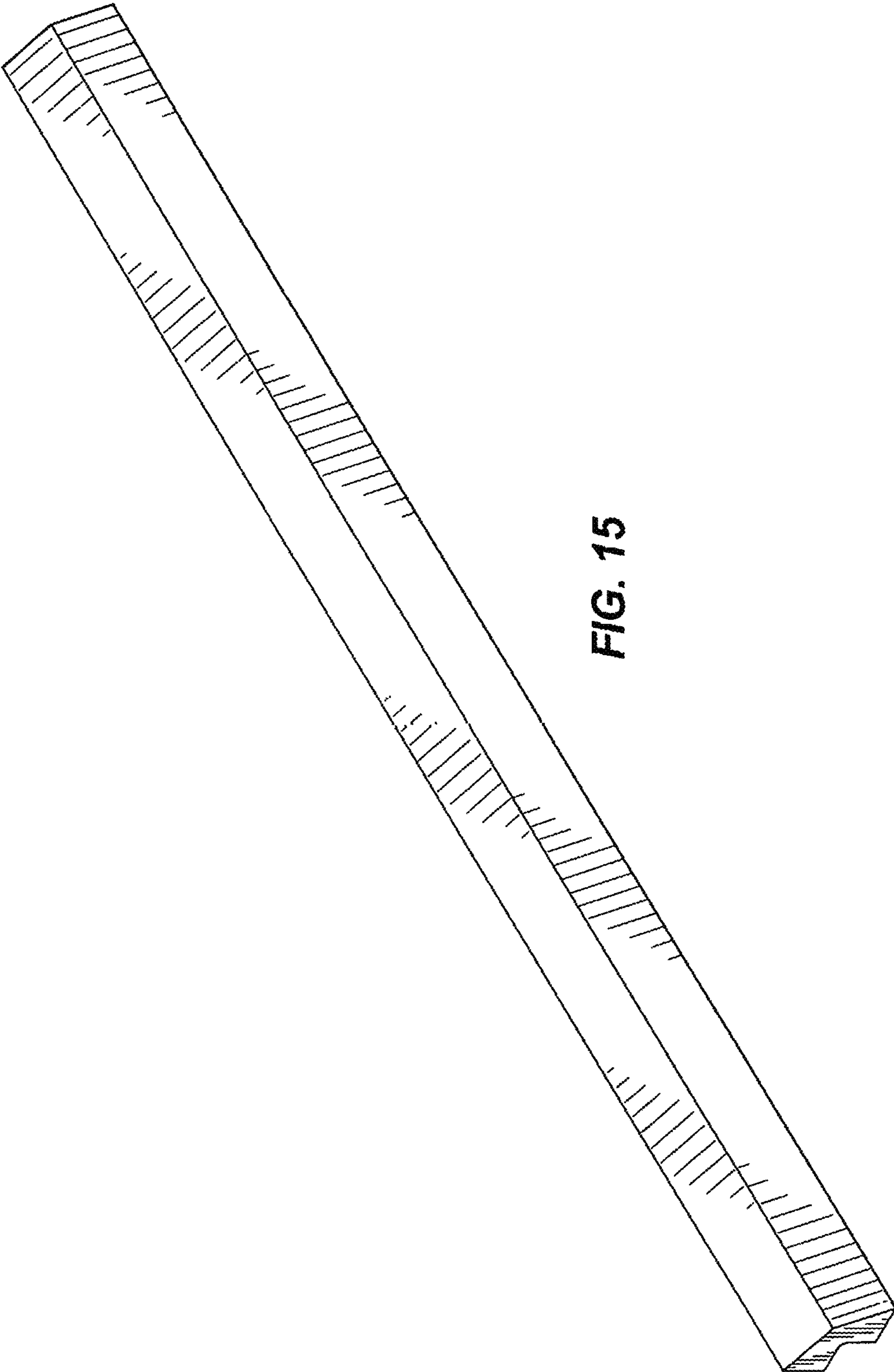


FIG. 15



FIG. 16



FIG. 17



FIG. 18

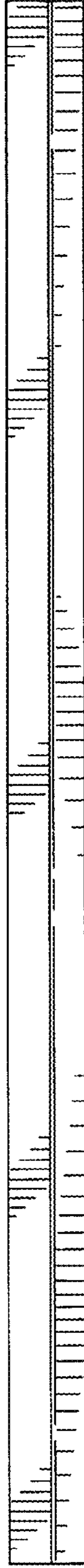


FIG. 19



FIG. 20



FIG. 21