



US00D772315S

(12) **United States Design Patent**
Friederichs

(10) **Patent No.:** **US D772,315 S**

(45) **Date of Patent:** **** Nov. 22, 2016**

- (54) **CHISEL**
- (71) Applicant: **Heiko Friederichs**, Aichhalden (DE)
- (72) Inventor: **Heiko Friederichs**, Aichhalden (DE)
- (73) Assignee: **Betek GmbH & Co. KG**, Aichhalden (DE)
- (**) Term: **14 Years**
- (21) Appl. No.: **29/469,630**
- (22) Filed: **Oct. 11, 2013**
- (30) **Foreign Application Priority Data**

Apr. 11, 2013 (EM) 002218529

- (51) **LOC (10) Cl.** **15-09**
- (52) **U.S. Cl.**
USPC **D15/139**
- (58) **Field of Classification Search**
USPC D8/70-74; D15/131, 132, 138, 139,
D15/140
See application file for complete search history.

(56) **References Cited**

U.S. PATENT DOCUMENTS

4,547,020	A *	10/1985	Ojanen	299/111
4,981,328	A *	1/1991	Stiffler et al.	299/111
5,141,289	A *	8/1992	Stiffler	299/111
5,161,859	A *	11/1992	Larsson et al.	299/111
5,324,098	A *	6/1994	Massa et al.	299/111
5,702,160	A *	12/1997	Levankovskii et al.	299/111
6,086,160	A *	7/2000	Bitelli	299/104
6,199,956	B1 *	3/2001	Kammerer	299/111
6,354,771	B1 *	3/2002	Bauschulte et al.	407/114
6,375,272	B1 *	4/2002	Ojanen	299/111
6,428,111	B1 *	8/2002	Kammerer	299/113
6,554,369	B2 *	4/2003	Sollami	299/111
6,685,273	B1 *	2/2004	Sollami	299/106
6,733,087	B2 *	5/2004	Hall et al.	299/113
6,866,343	B2 *	3/2005	Holl et al.	299/102

7,597,402	B2 *	10/2009	Tewes et al.	299/102
7,717,523	B2 *	5/2010	Weaver	299/111
7,963,615	B2 *	6/2011	Greenspan et al.	299/101
7,992,945	B2 *	8/2011	Hall et al.	299/111
7,997,661	B2 *	8/2011	Hall et al.	299/113
8,007,050	B2 *	8/2011	Hall et al.	299/106
8,007,051	B2 *	8/2011	Hall et al.	299/113
8,020,940	B2 *	9/2011	Greenspan et al.	299/101
8,020,941	B2 *	9/2011	Latham	299/104
8,033,615	B2 *	10/2011	Hall et al.	299/113
8,099,847	B2 *	1/2012	Hahn et al.	29/252
8,210,618	B2 *	7/2012	Monyak et al.	299/111
8,292,372	B2 *	10/2012	Hall et al.	299/104
8,313,153	B2 *	11/2012	Maushart	299/111
8,562,079	B2 *	10/2013	Wang	299/113
8,636,325	B2 *	1/2014	Greenspan et al.	299/105
8,678,517	B2 *	3/2014	Monyak et al.	299/113
8,770,669	B2 *	7/2014	Wachsmann et al.	299/104
8,783,785	B2 *	7/2014	Lehnert et al.	299/105
8,894,155	B2 *	11/2014	Elfgen	299/106

* cited by examiner

Primary Examiner — Patricia Palasik

(74) *Attorney, Agent, or Firm* — Pauley Erickson & Kottis

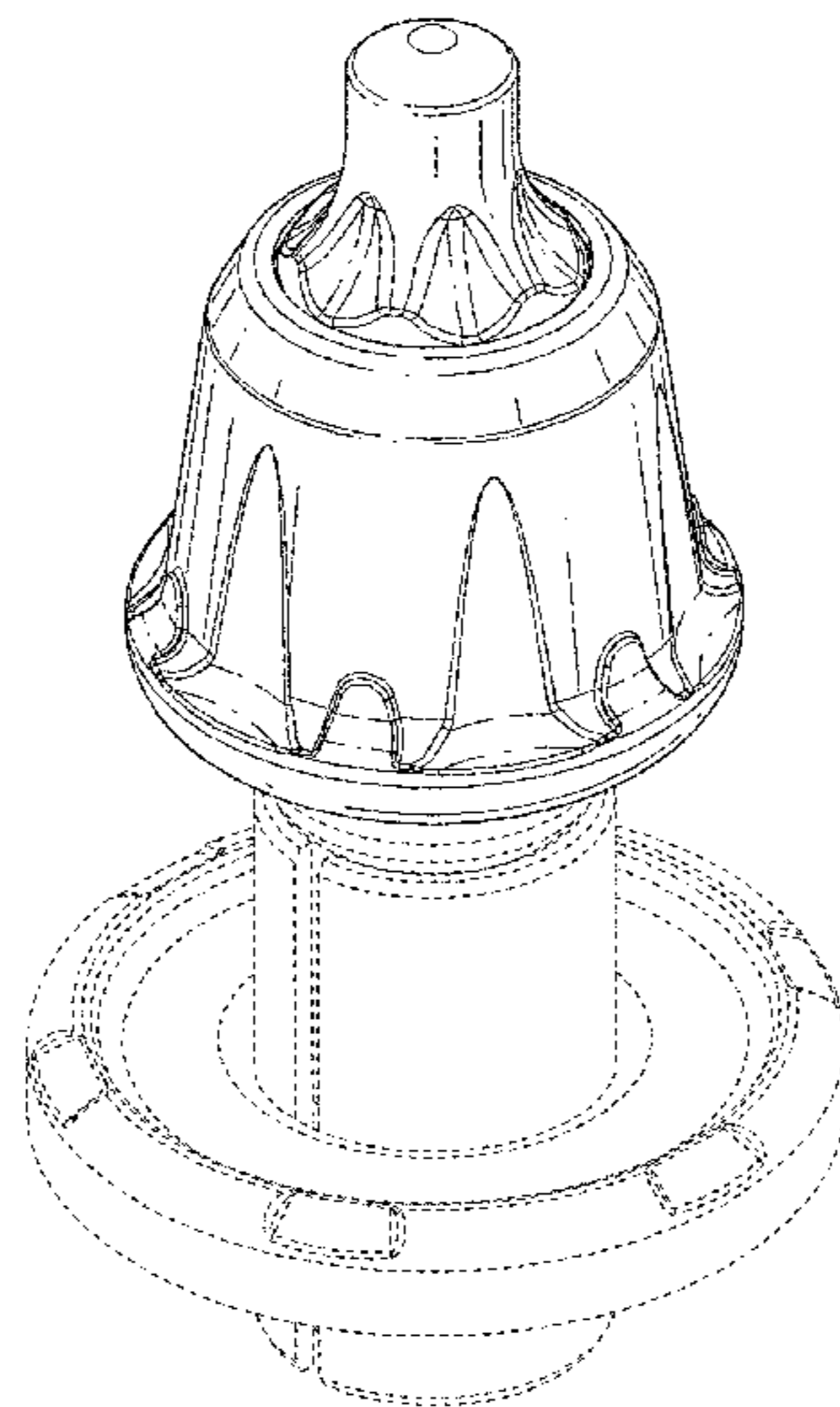
(57) **CLAIM**

The ornamental design for a chisel, as shown.

DESCRIPTION

FIG. 1 is a perspective view of a first embodiment of a chisel;
 FIG. 2 is a front elevation view of the chisel, as shown in FIG. 1;
 FIG. 3 is a perspective view of a second embodiment of a chisel;
 FIG. 4 is a front elevation view of the chisel, as shown in FIG. 3;
 FIG. 5 is a perspective view of third embodiment of a chisel;
 FIG. 6 is a front elevation view of the chisel, as shown in FIG. 5;
 FIG. 7 is a perspective view of fourth embodiment of a chisel; and,
 FIG. 8 is a front elevation view of the chisel, as shown in FIG. 7.

1 Claim, 8 Drawing Sheets



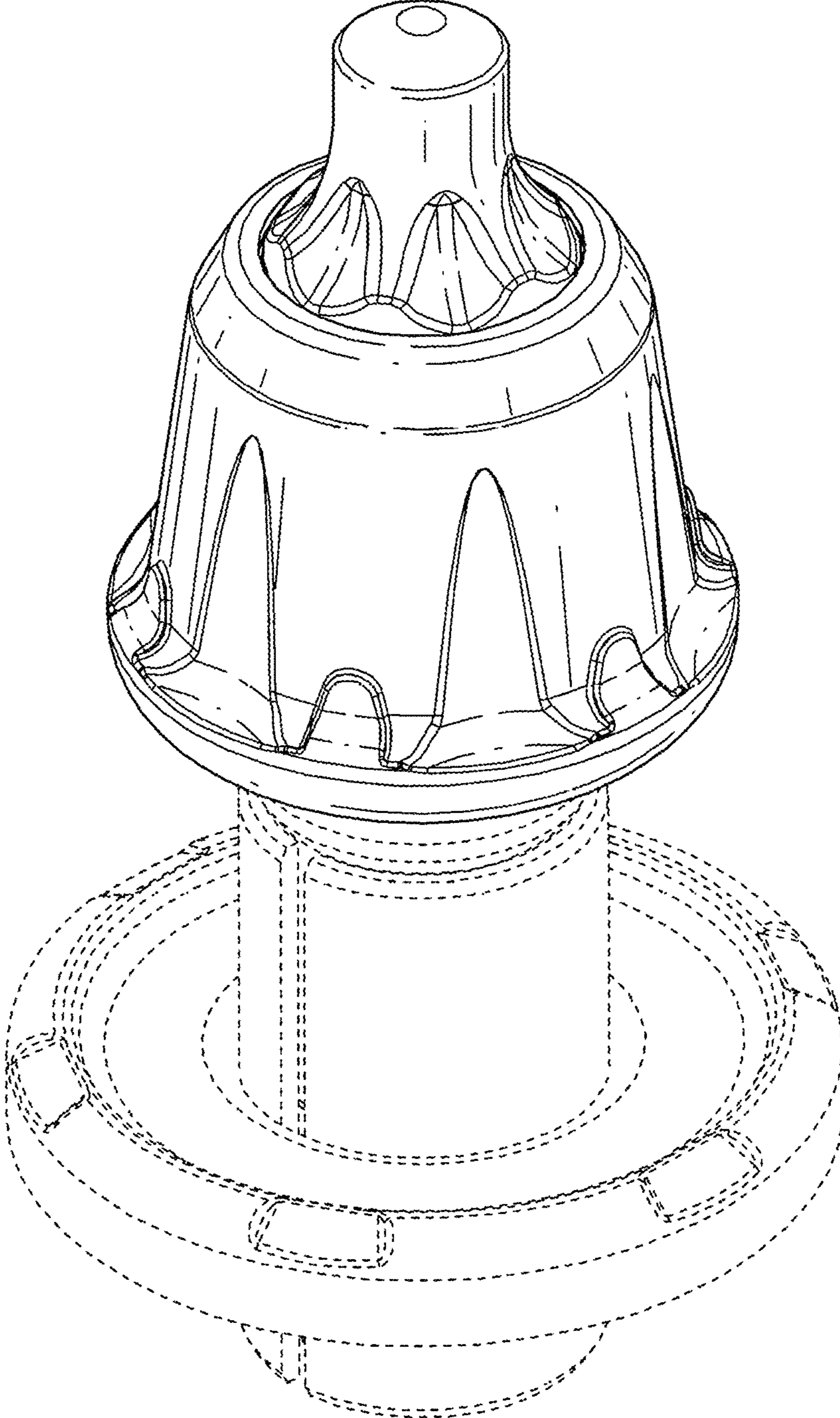


FIG. 1

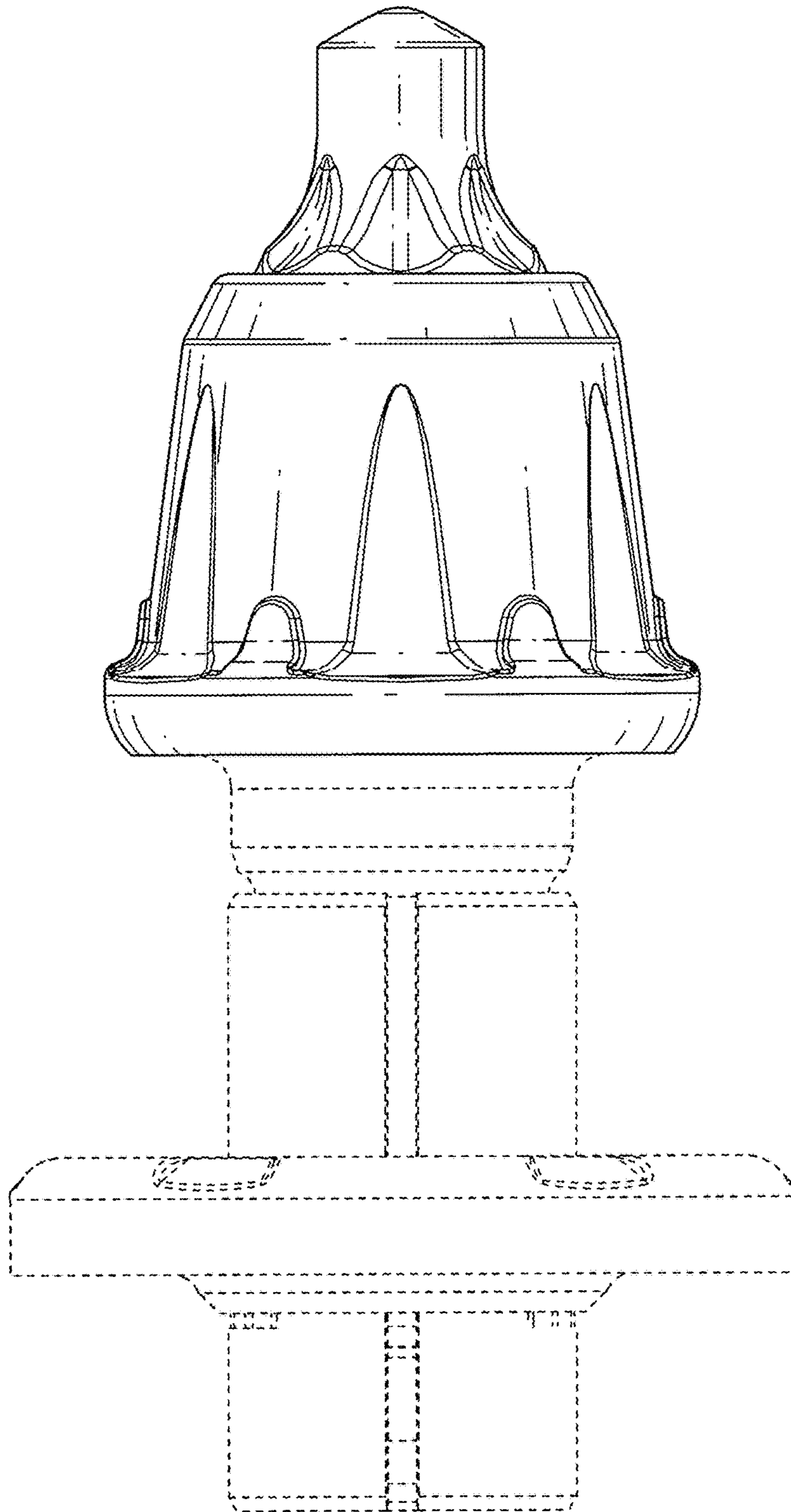


FIG. 2

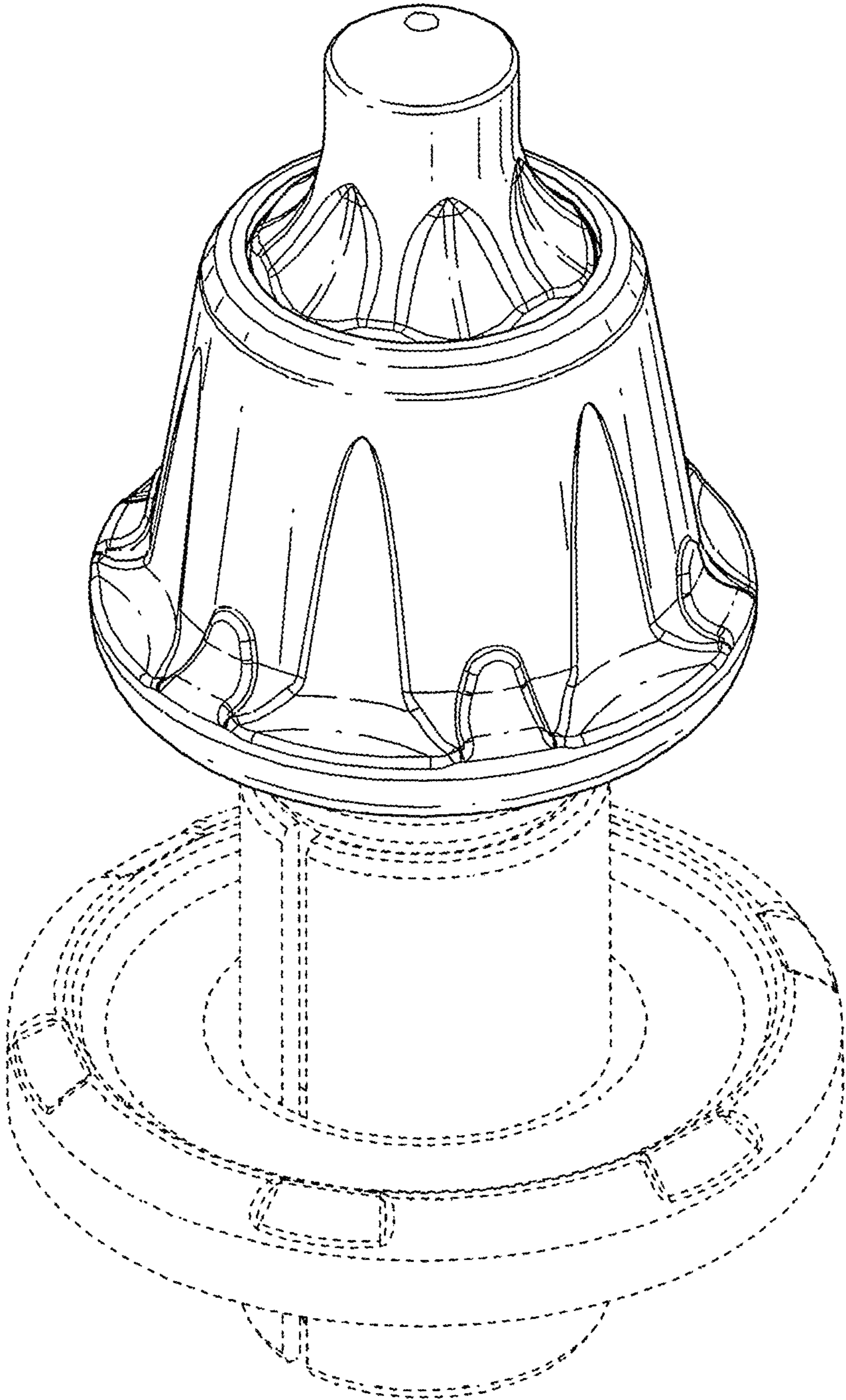


FIG. 3

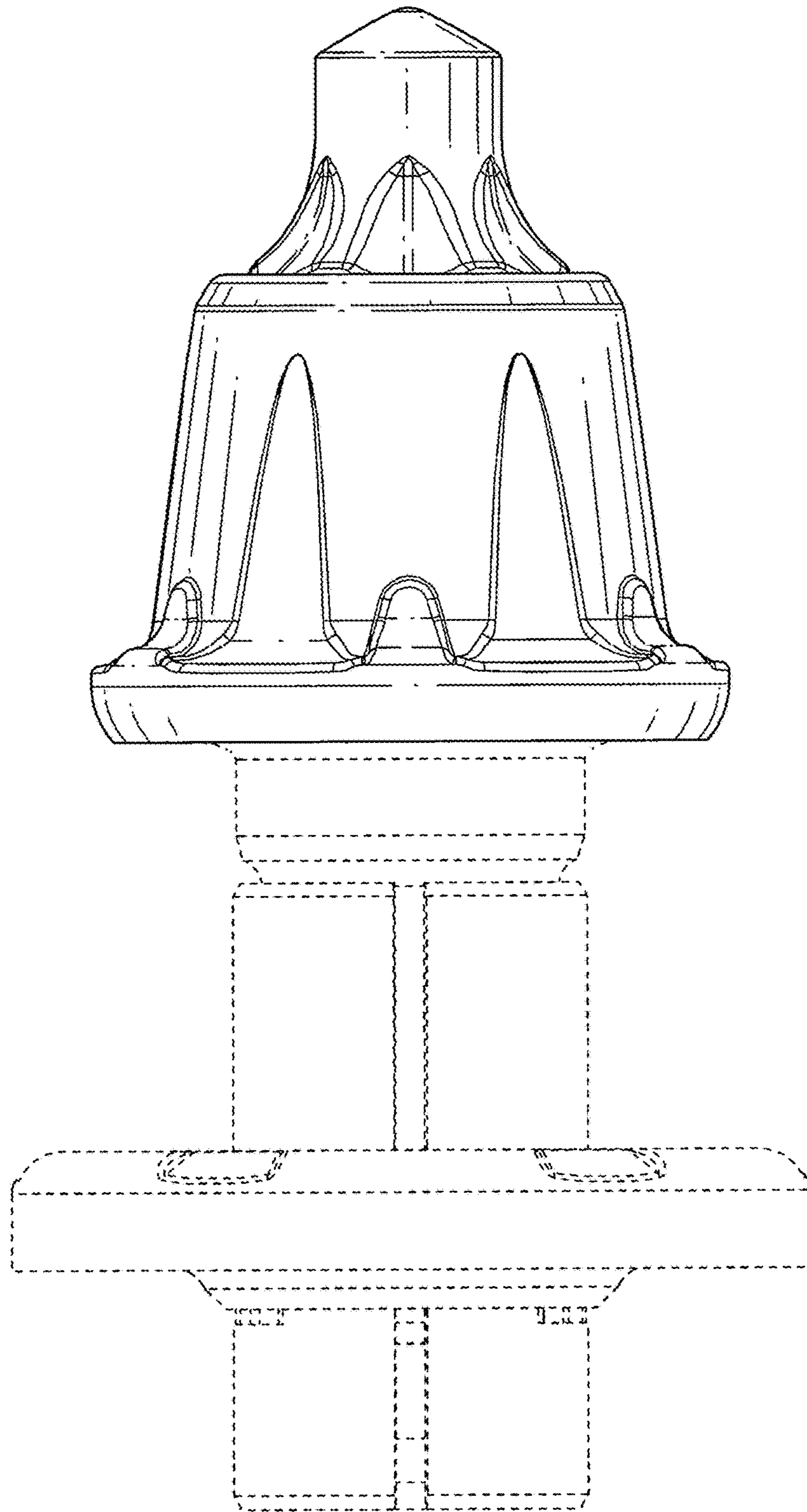


FIG. 4

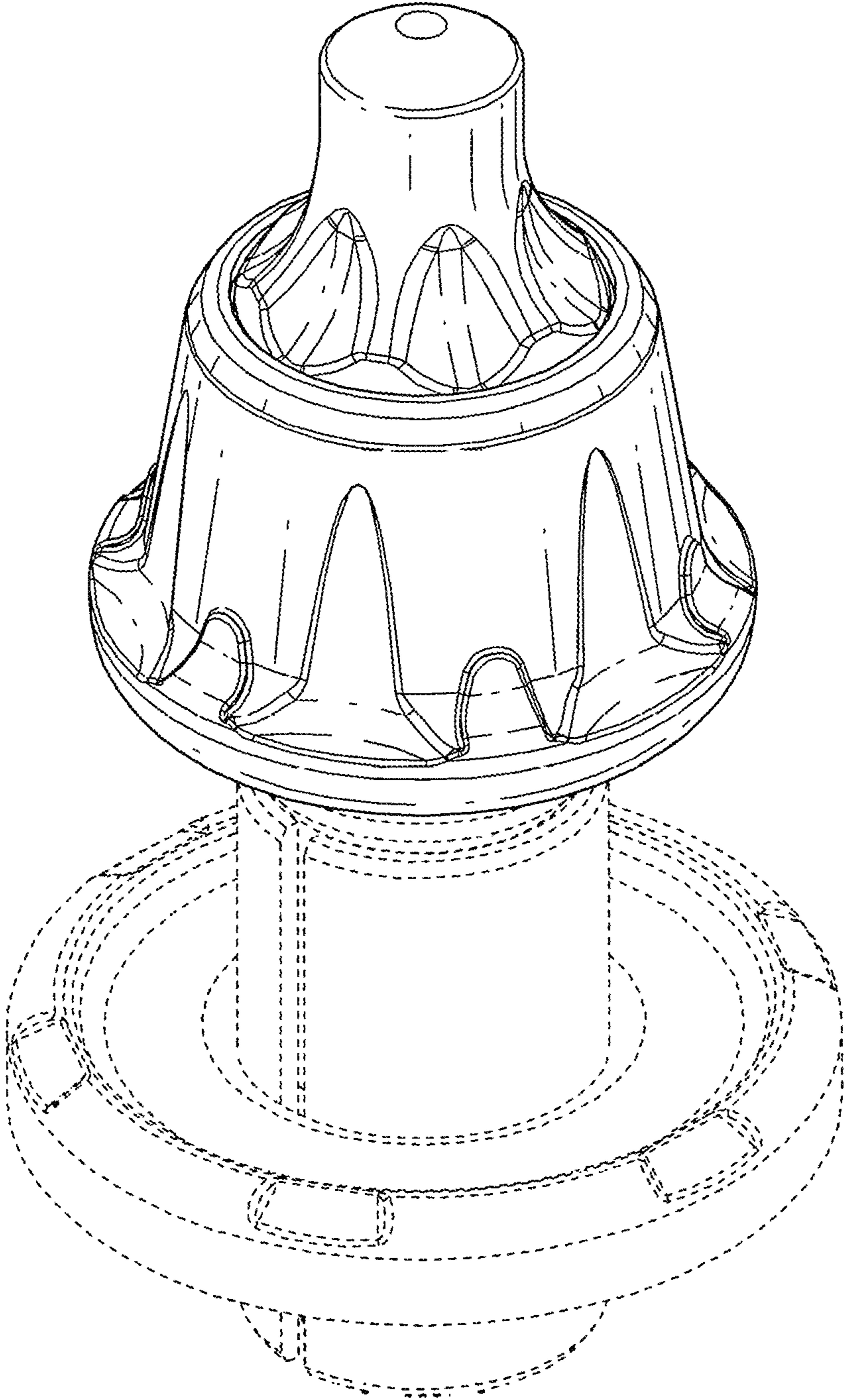


FIG. 5

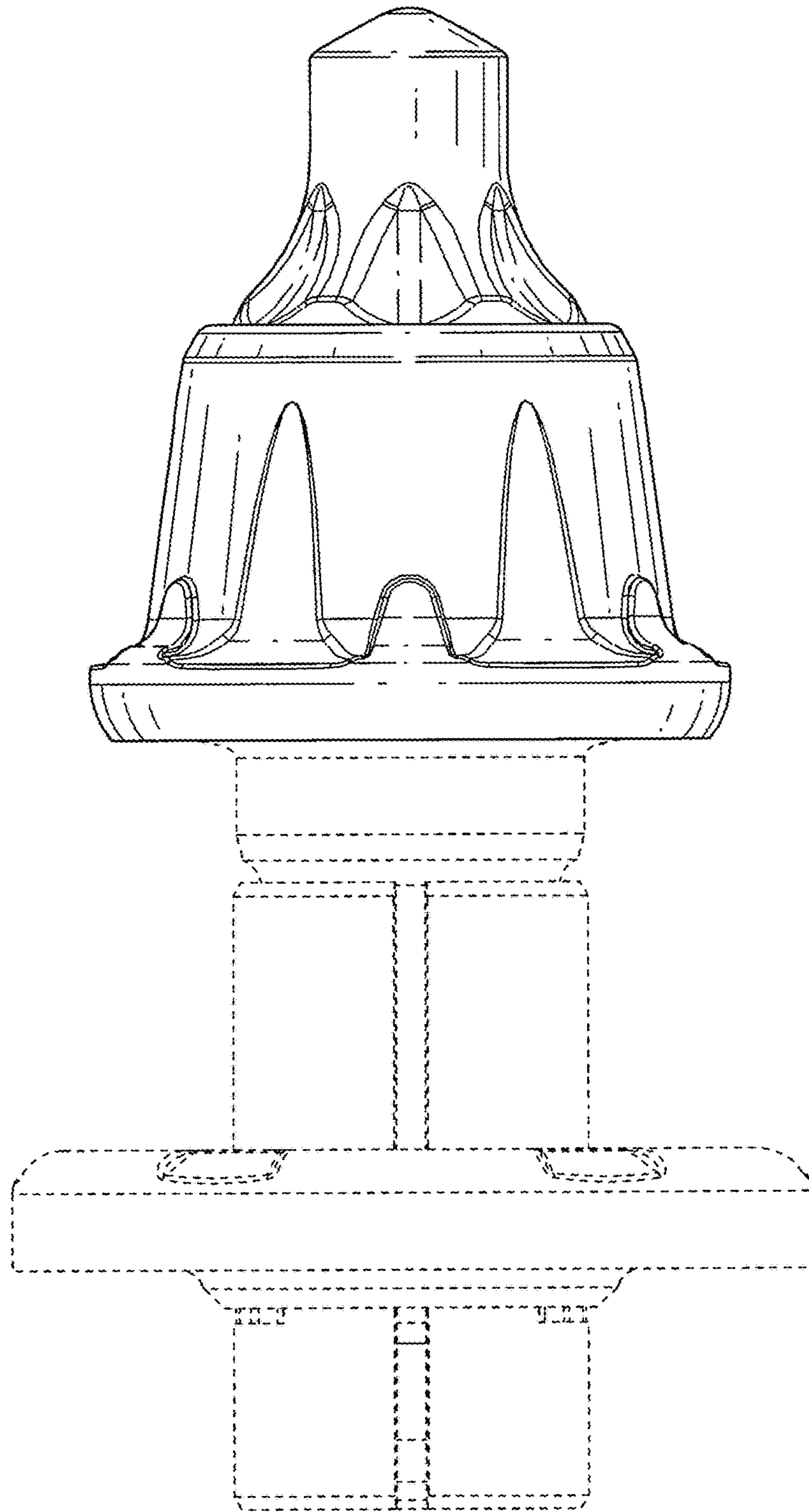


FIG. 6

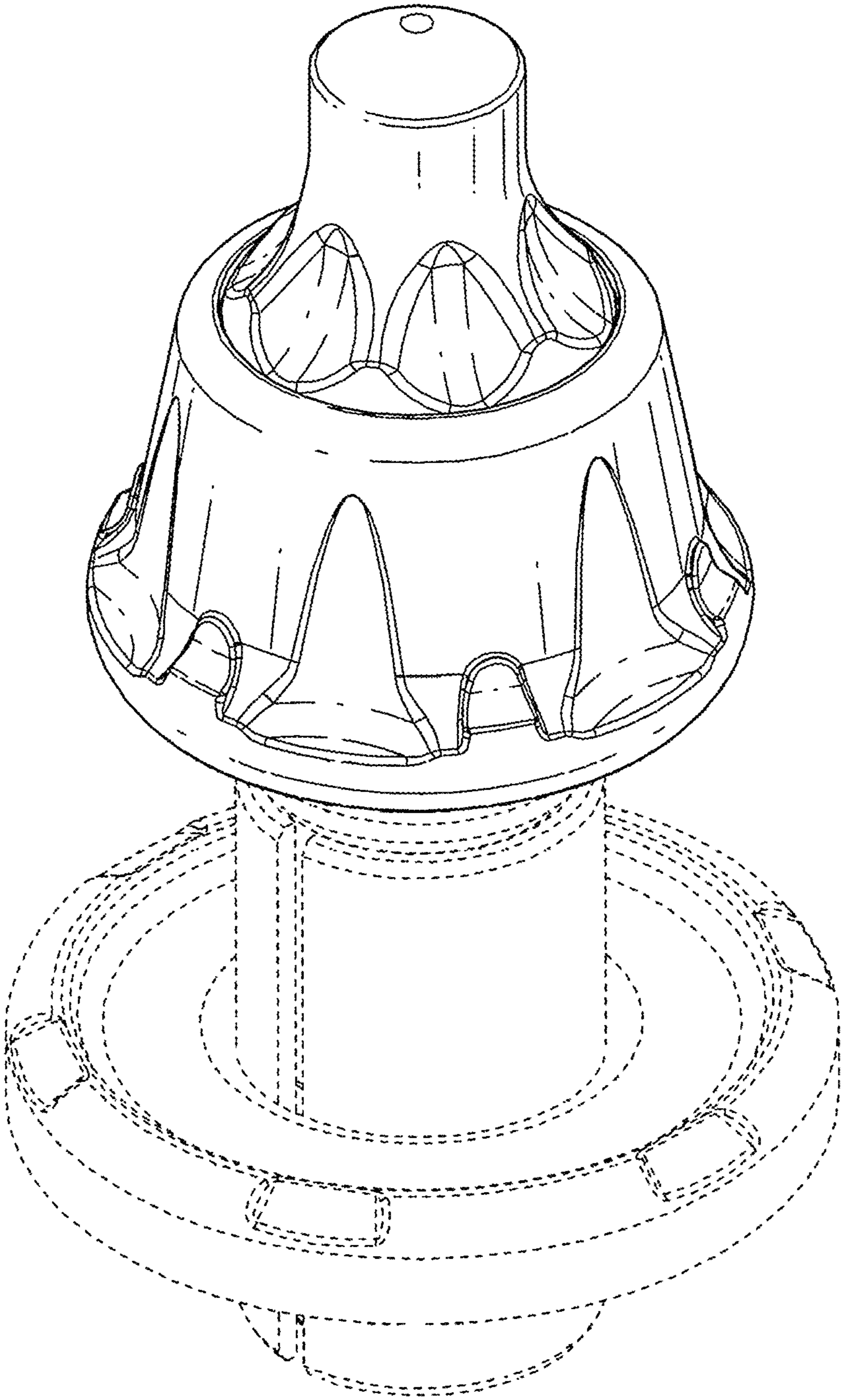


FIG. 7

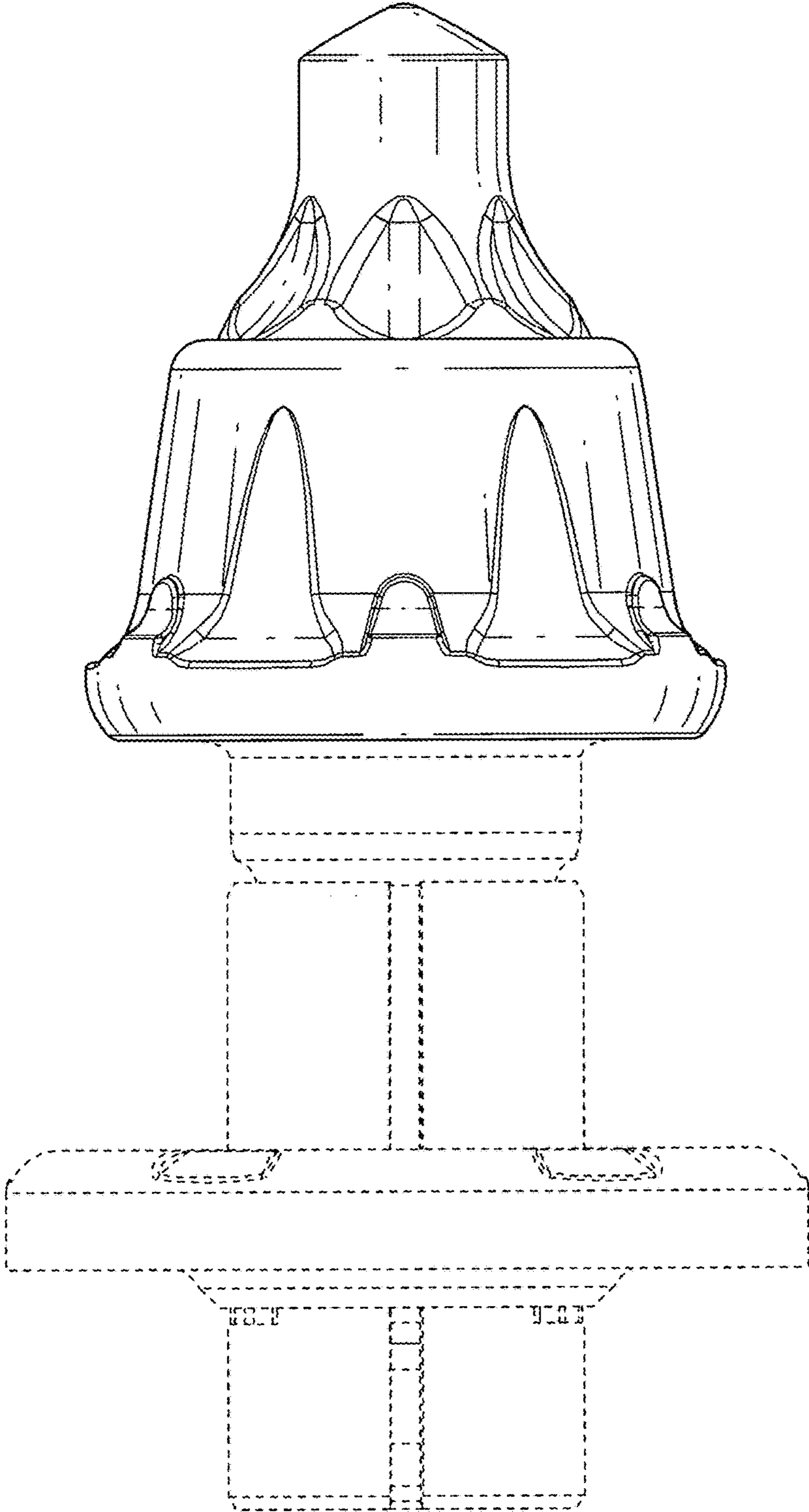


FIG. 8