



US00D772314S

(12) **United States Design Patent** (10) **Patent No.:** **US D772,314 S**
Williams et al. (45) **Date of Patent:** **** Nov. 22, 2016**

- (54) **FLUID APPLICATION DEVICE**
- (71) Applicants: **Craig A. Williams**, Maumee, OH (US);
Charles J. Barnhart, Toledo, OH (US)
- (72) Inventors: **Craig A. Williams**, Maumee, OH (US);
Charles J. Barnhart, Toledo, OH (US)
- (73) Assignee: **Designetics, Inc.**, Holland, OH (US)
- (**) Term: **14 Years**
- (21) Appl. No.: **29/506,950**
- (22) Filed: **Oct. 22, 2014**

5,608,433	A *	3/1997	Quate	347/37
6,981,656	B2 *	1/2006	Fisher et al.	239/104
7,101,439	B2 *	9/2006	Kushihashi et al.	118/300
7,249,696	B2 *	7/2007	Penalver Garcia	222/504
7,611,071	B2 *	11/2009	Bolyard et al.	239/13
D745,583	S *	12/2015	Arikan et al.	D15/138

* cited by examiner

Primary Examiner — Patricia Palasik

(74) *Attorney, Agent, or Firm* — Donald K. Wedding

(57) **CLAIM**

The ornamental design for a fluid application device, as shown and described.

DESCRIPTION

FIG. 1 is a perspective view of the notched fluid application device.

FIG. 2 is a top view of the notched fluid application device shown in FIG. 1.

FIG. 3 is a front elevation of the notched fluid application device shown in FIG. 1.

FIG. 4 is a back elevation of the notched fluid application device shown in FIG. 1.

FIG. 5 is a bottom view of the notched fluid application device shown in FIG. 1; and,

FIG. 6 is a left or right side elevation of the notched fluid application device shown in FIG. 1.

The fluid application device is used to apply a fluid to a surface with a notch and a pad of porous material.

The broken lines in the drawings represent environmental structure only and form no part of the claimed design.

Related U.S. Application Data

- (63) Continuation-in-part of application No. 13/827,808, filed on Mar. 14, 2013, now abandoned, which is a continuation-in-part of application No. 12/258,409, filed on Oct. 26, 2008, now abandoned.

(51) **LOC (10) Cl.** **15-09**

(52) **U.S. Cl.**
USPC **D15/138**

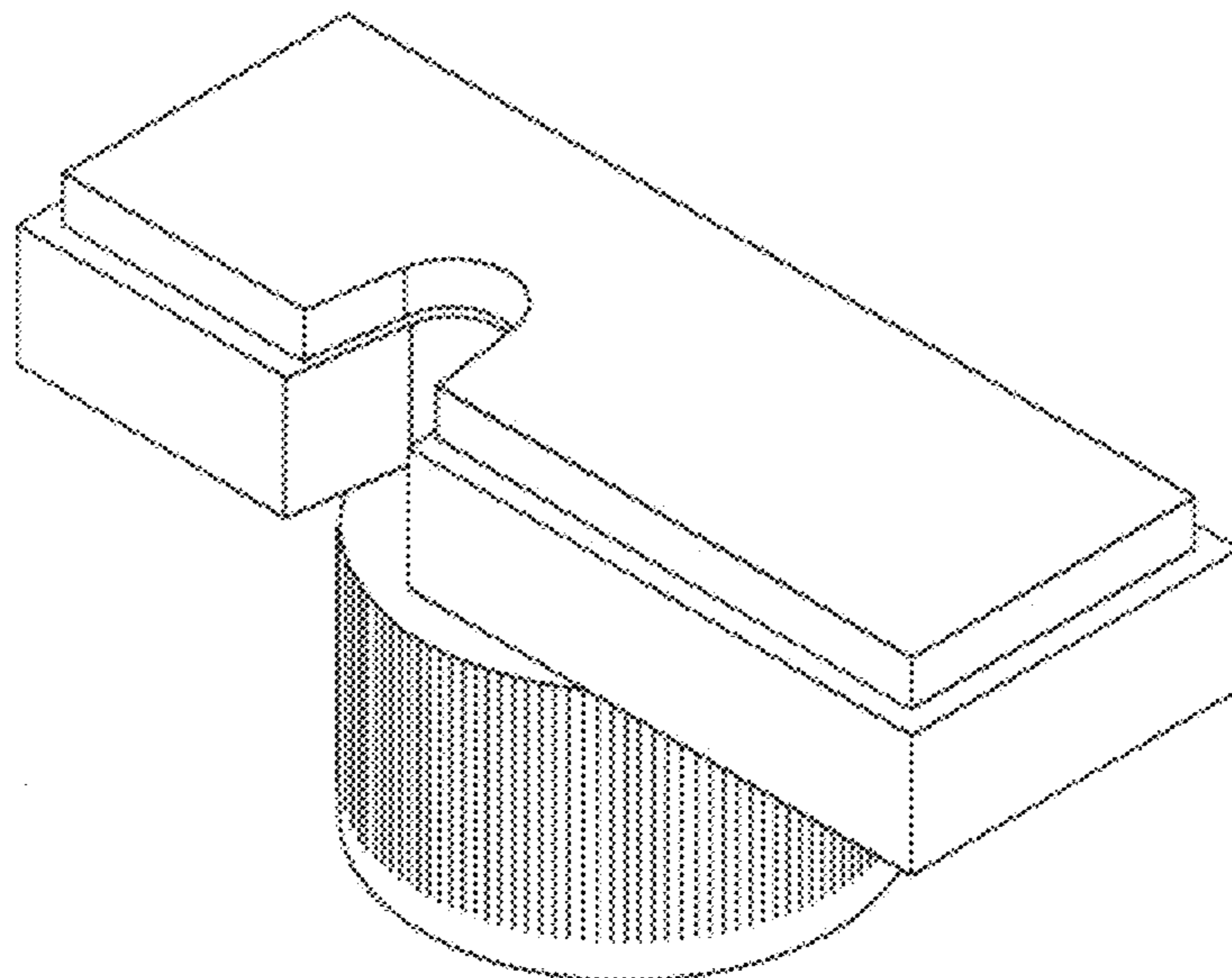
(58) **Field of Classification Search**
USPC D8/70; D15/138-144.2; D23/213, 223
See application file for complete search history.

(56) **References Cited**

U.S. PATENT DOCUMENTS

4,030,341	A *	6/1977	Sullivan	73/61.54
5,193,928	A *	3/1993	Balzer et al.	401/132

1 Claim, 2 Drawing Sheets



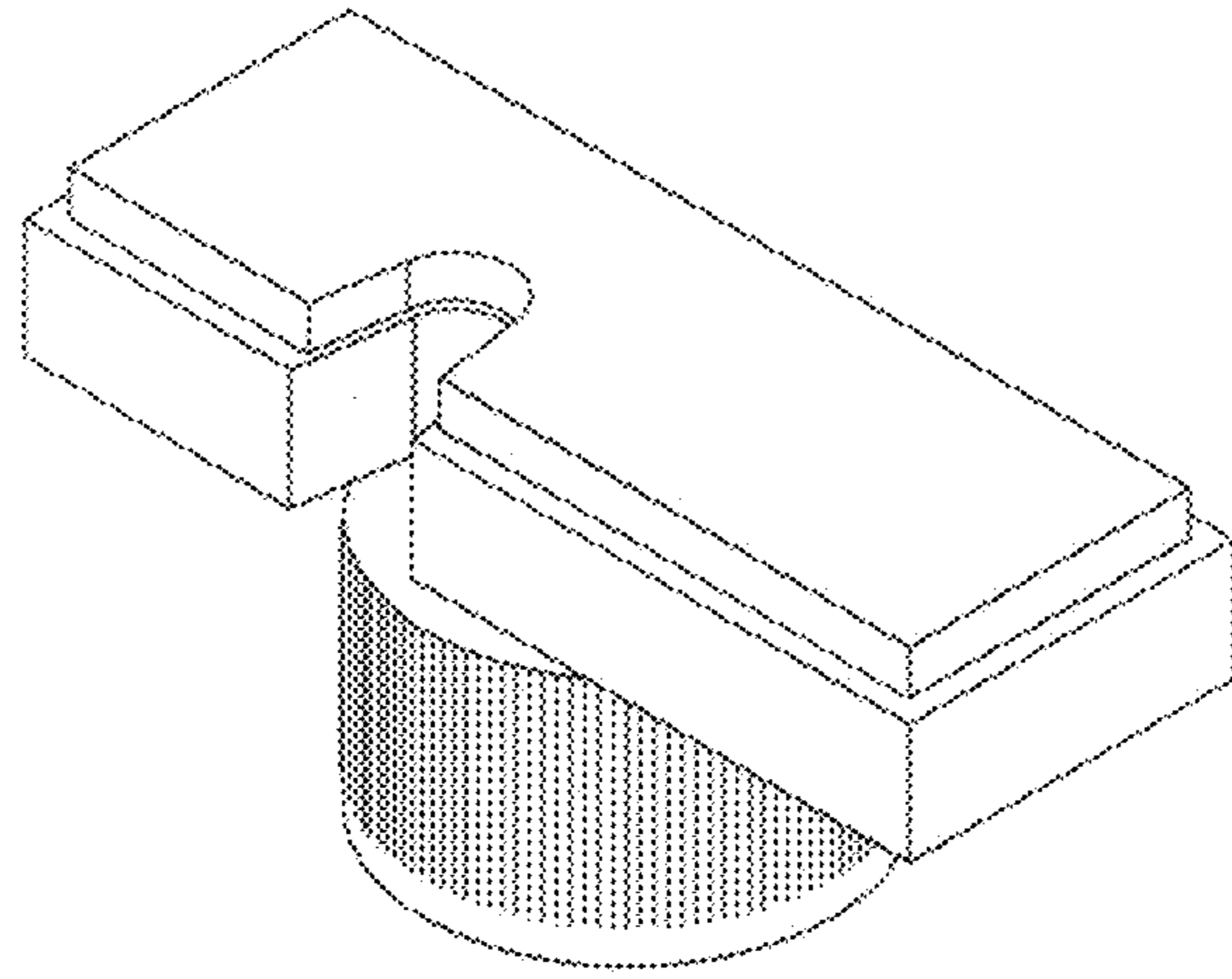


FIG. 1

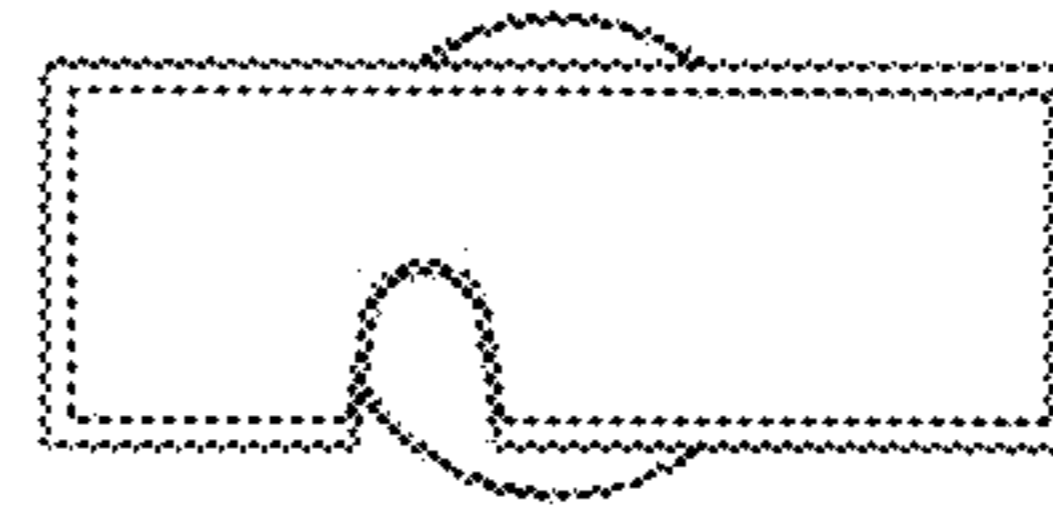


FIG. 2

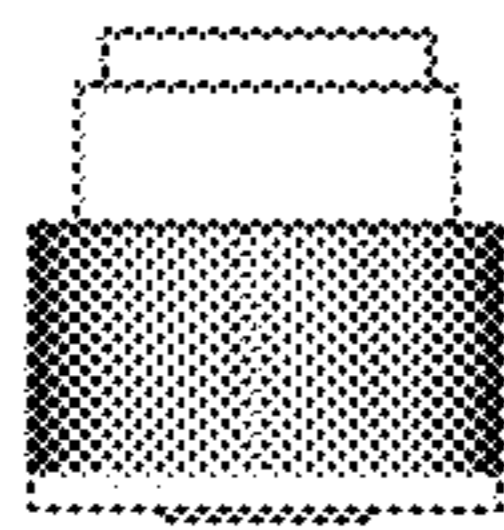


FIG. 6

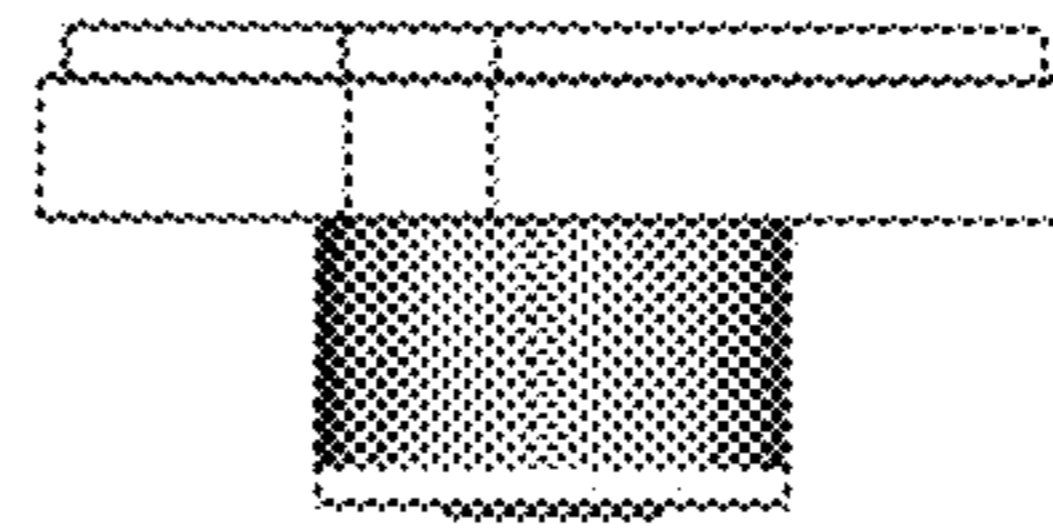


FIG. 3

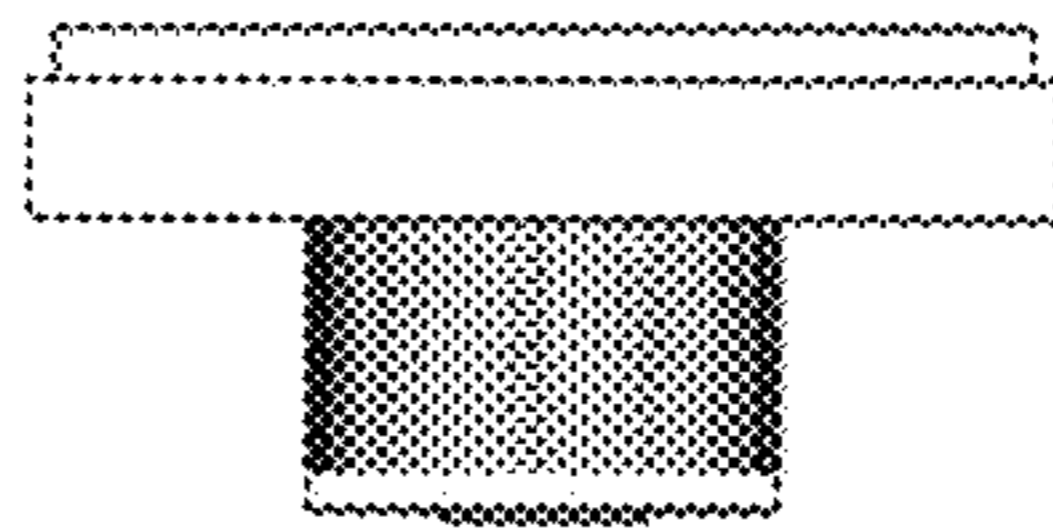


FIG. 4

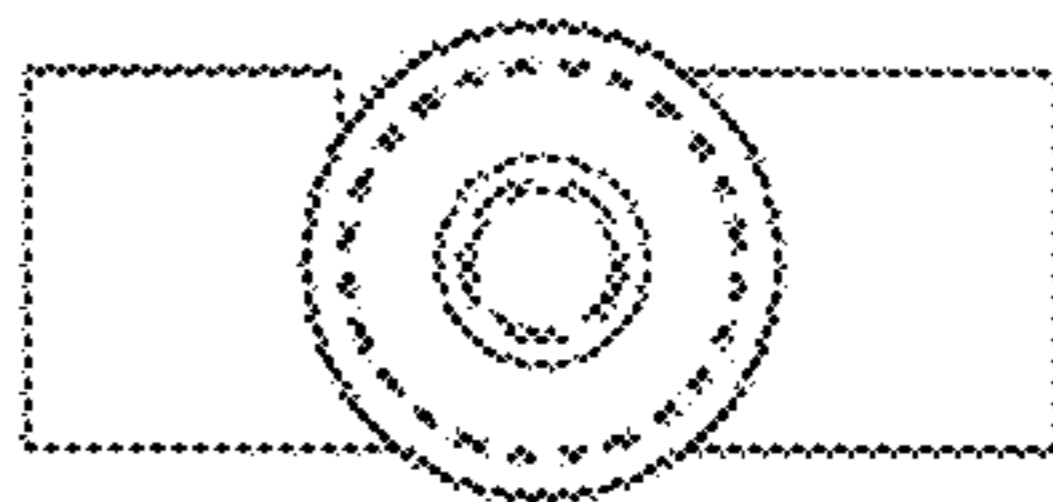


FIG. 5