



US00D772313S

(12) **United States Design Patent** (10) **Patent No.:** **US D772,313 S**
Nodu (45) **Date of Patent:** **** Nov. 22, 2016**

(54) **PIPE BENDING MACHINE**
(71) Applicant: **Sango Co., Ltd.**, Miyoshi-shi,
Aichi-ken (JP)
(72) Inventor: **Kentaro Nodu**, Nagakute (JP)
(73) Assignee: **SANGO CO., LTD.**, Aichi-Ken (JP)
(**) Term: **15 Years**
(21) Appl. No.: **29/526,968**

5,105,646 A * 4/1992 Koskinen B21D 7/063
72/390.2
5,127,248 A * 7/1992 Sanseau B21D 7/14
72/149
5,263,350 A * 11/1993 Crippa B21D 7/021
72/155
5,327,758 A * 7/1994 Galan B21D 7/024
72/149
5,564,303 A * 10/1996 Buchanan B21D 11/00
72/466
5,694,800 A * 12/1997 Lopez B21D 7/024
72/149
5,765,426 A * 6/1998 Saegusa B21D 7/08
72/217

(Continued)

(22) Filed: **May 14, 2015**

FOREIGN PATENT DOCUMENTS

(30) **Foreign Application Priority Data**
Nov. 26, 2014 (JP) 2014-026381
(51) **LOC (10) Cl.** **15-09**
(52) **U.S. Cl.**
USPC **D15/136**
(58) **Field of Classification Search**
USPC D15/135, 136, 137, 138; D23/266
See application file for complete search history.

JP 2011235351 A 11/2011

Primary Examiner — Patricia Palasik
(74) *Attorney, Agent, or Firm* — Buchanan Ingersoll &
Rooney PC

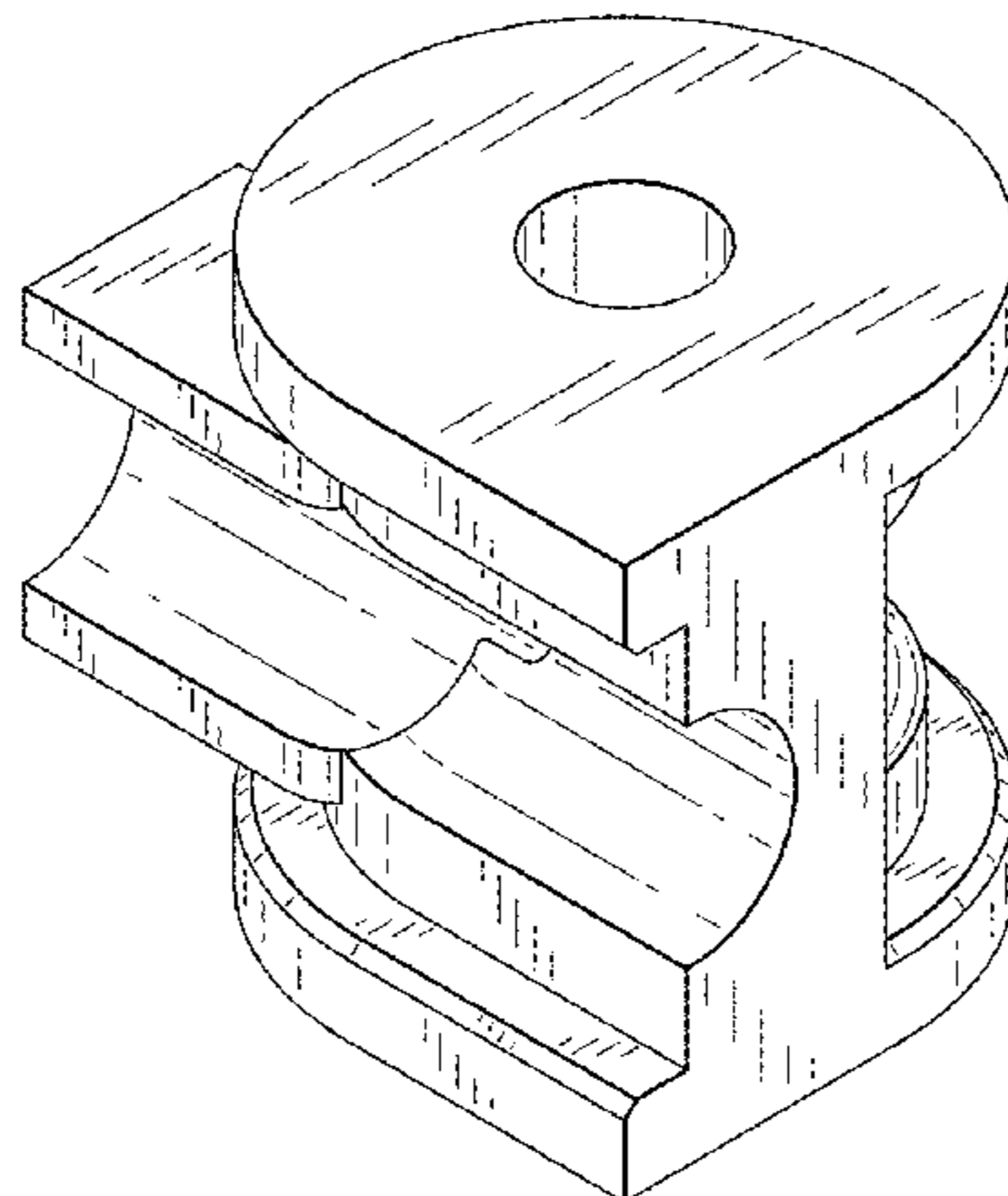
(57) **CLAIM**
The ornamental design for a pipe bending machine, as
shown and described.

DESCRIPTION

(56) **References Cited**
U.S. PATENT DOCUMENTS
1,837,060 A * 12/1931 Offutt B21D 7/024
72/157
3,780,591 A * 12/1973 Clavin B21D 9/05
72/318
3,834,210 A * 9/1974 Clavin B21D 9/05
72/308
4,043,167 A * 8/1977 Koser B21C 37/28
29/890.15
4,313,330 A * 2/1982 Cummings B21D 11/00
72/307
4,362,044 A * 12/1982 Green B21D 11/00
72/292
4,563,891 A * 1/1986 Schwarze B21D 9/073
72/149
4,981,030 A * 1/1991 Caporusso B21D 7/024
72/149
D317,927 S * 7/1991 Kern D15/135

FIG. 1 is a perspective view of a pipe bending machine
showing my new design.
FIG. 2 is a front elevational view thereof.
FIG. 3 is a rear elevational view thereof.
FIG. 4 is a left side elevational view thereof.
FIG. 5 is a right side elevational view thereof.
FIG. 6 is a top plan view thereof.
FIG. 7 is a bottom plan view thereof.
FIG. 8 is a front elevational view of the pipe bending
machine shown in FIG. 1 when rotated 45 degrees.
FIG. 9 is a front elevational view of the pipe bending
machine shown in FIG. 1 when rotated 90 degrees.
FIG. 10 is a front elevational view of the pipe bending
machine shown in FIG. 1 when rotated 135 degrees; and,
FIG. 11 is a front elevational view of the pipe bending
machine shown in FIG. 1 when rotated 180 degrees.

1 Claim, 6 Drawing Sheets



(56)

References Cited

U.S. PATENT DOCUMENTS

6,128,941 A *	10/2000	Russell	B21D 7/066 72/383	7,162,905 B1 *	1/2007	Briggs	B21D 7/04 72/149
6,164,113 A *	12/2000	Parker	B21D 11/00 72/307	D580,461 S *	11/2008	Schreck	D15/136
6,279,369 B1 *	8/2001	Kasuya	B21D 9/01 72/369	D596,004 S *	7/2009	Picaza Ibarondo	D8/32
6,298,706 B1 *	10/2001	Dunn	B21D 11/00 72/369	D597,026 S *	7/2009	Burger	D13/102
6,931,908 B1 *	8/2005	Mitson	B21D 7/04 72/213	D601,176 S *	9/2009	Wiltsie	D15/136
7,047,789 B1 *	5/2006	Theener	B21D 9/08 72/382	7,721,583 B1 *	5/2010	Anderson	B21D 7/06 72/382
7,100,414 B1 *	9/2006	Briggs	B21D 7/02 72/149	9,144,835 B2 *	9/2015	Houle	B21D 7/063
					2004/0241266 A1 *	12/2004	Neubauer	B29C 33/306 425/192 R
					2010/0206036 A1 *	8/2010	Caporusso	B21D 9/073 72/319
					2011/0042877 A1 *	2/2011	Caporusso	B21D 7/024 269/87.1
					2015/0027193 A1 *	1/2015	Pace	B21D 7/04 72/369

* cited by examiner

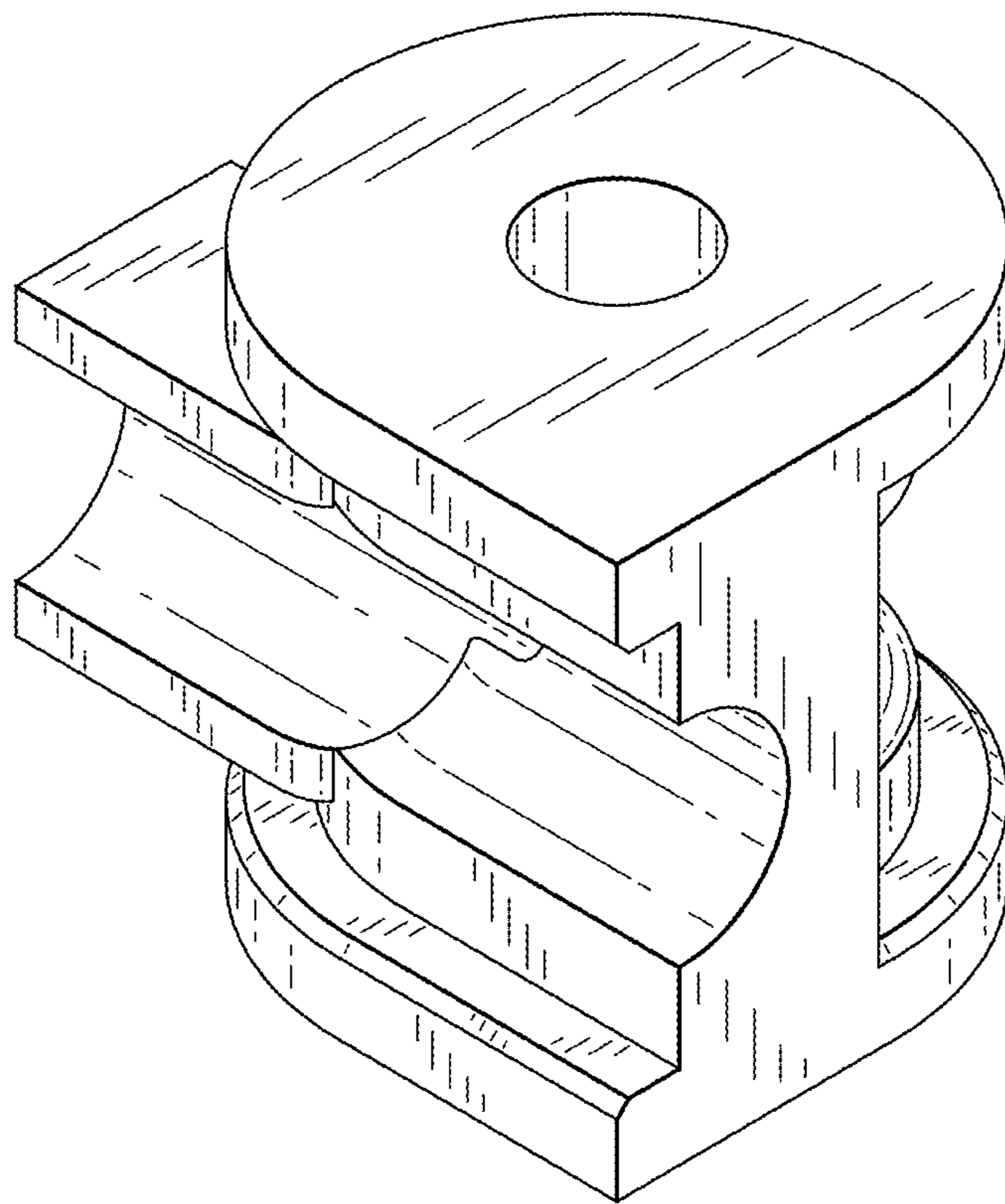


FIG. 1

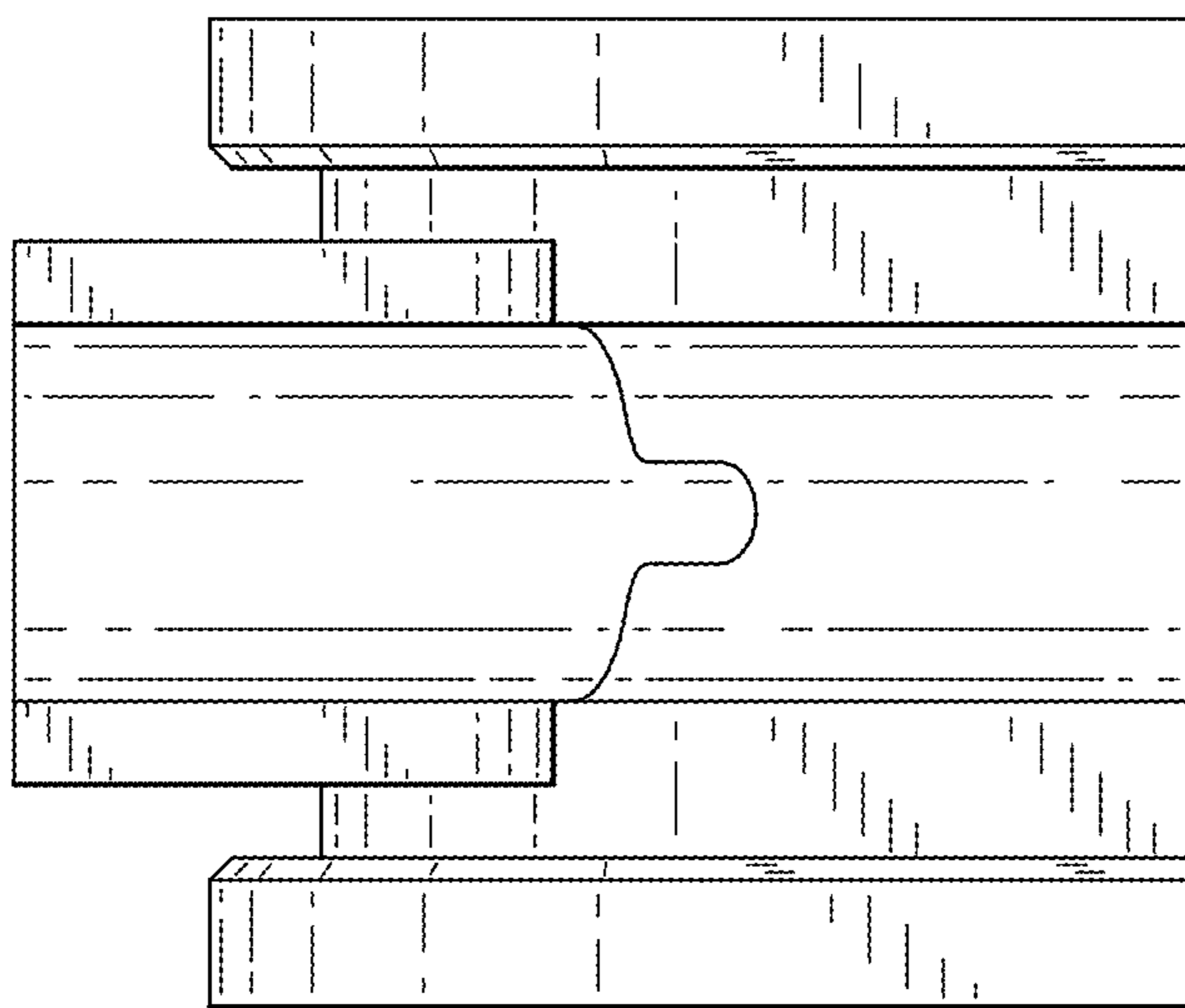


FIG. 2

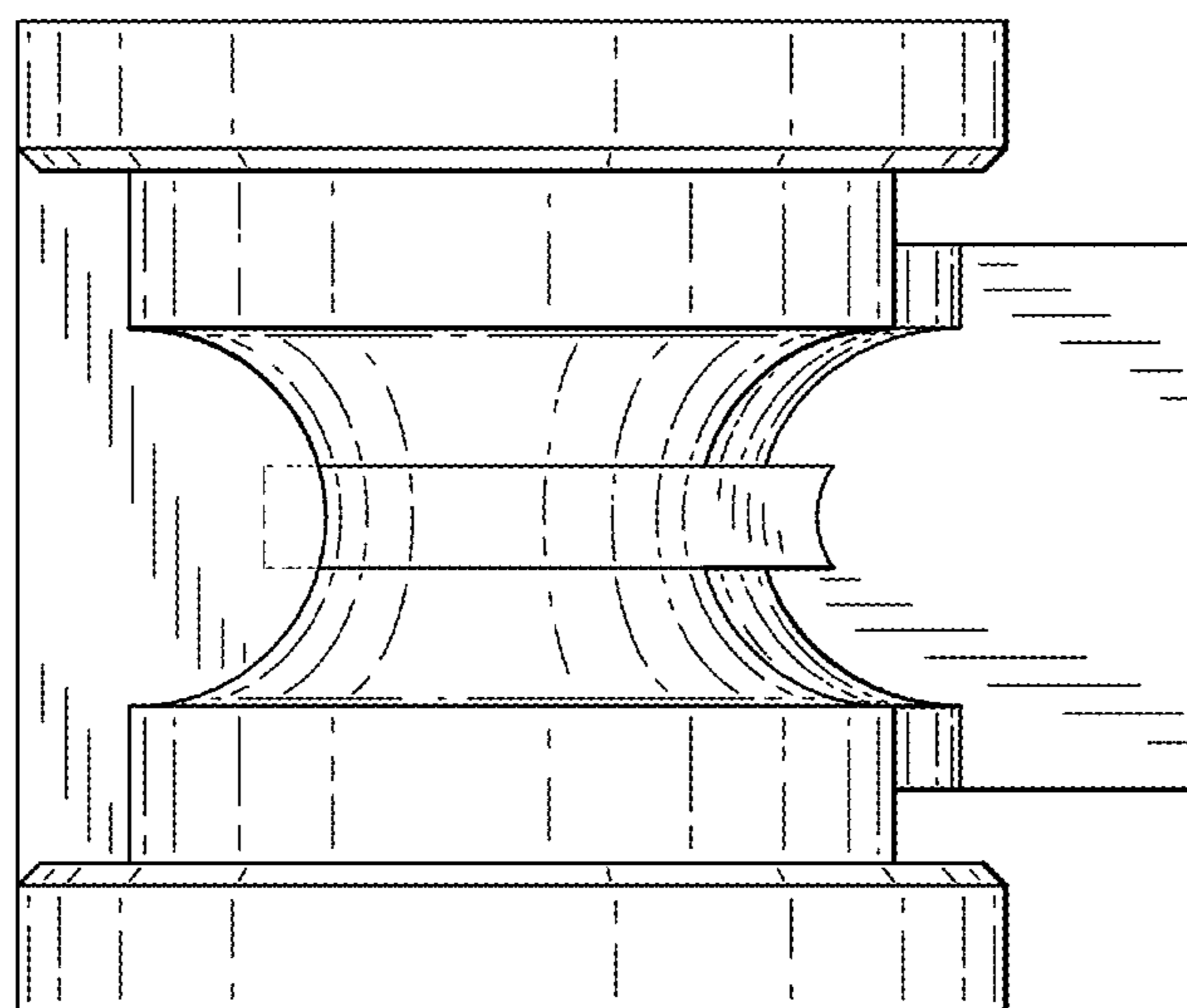


FIG. 3

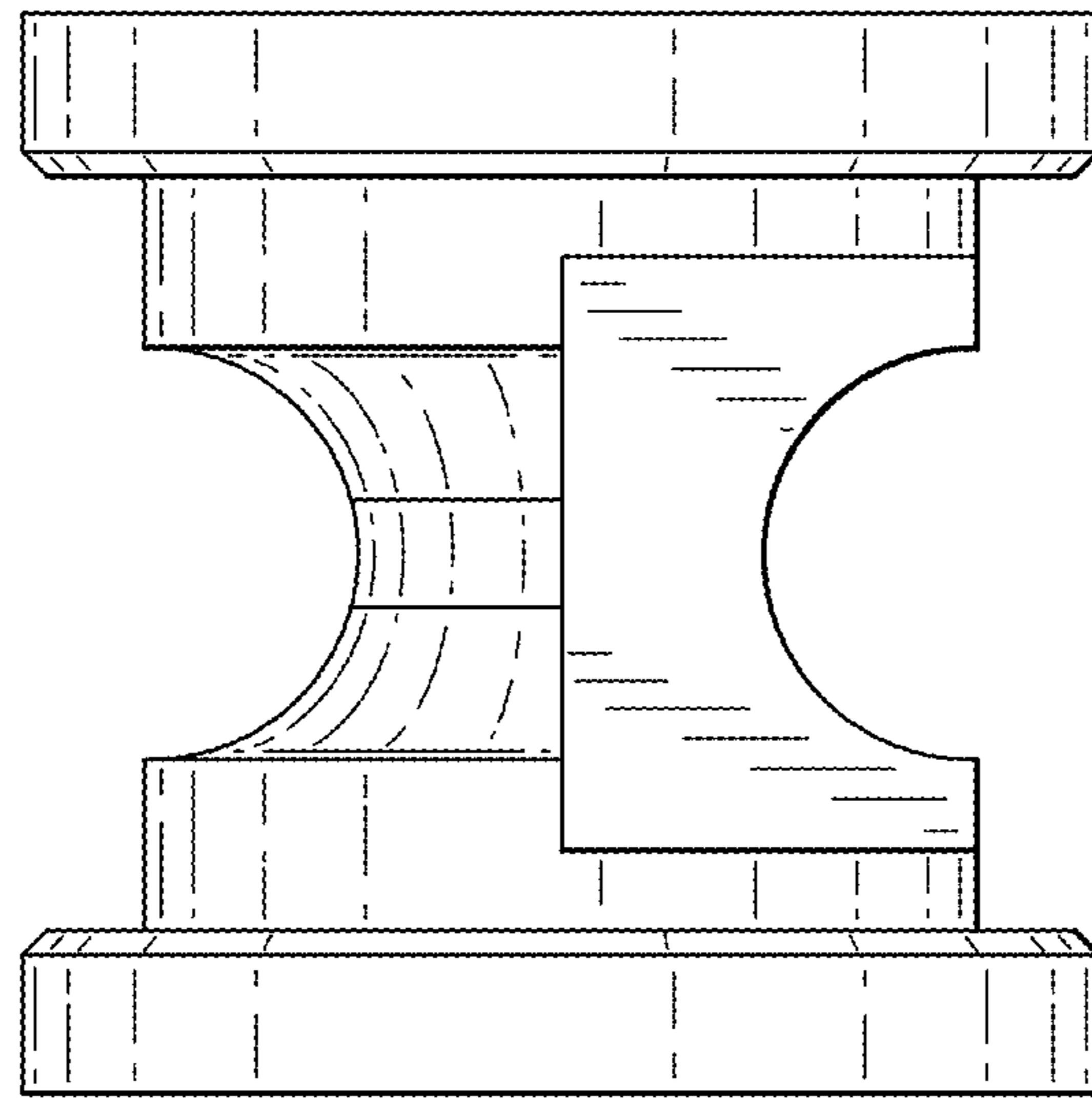


FIG. 4

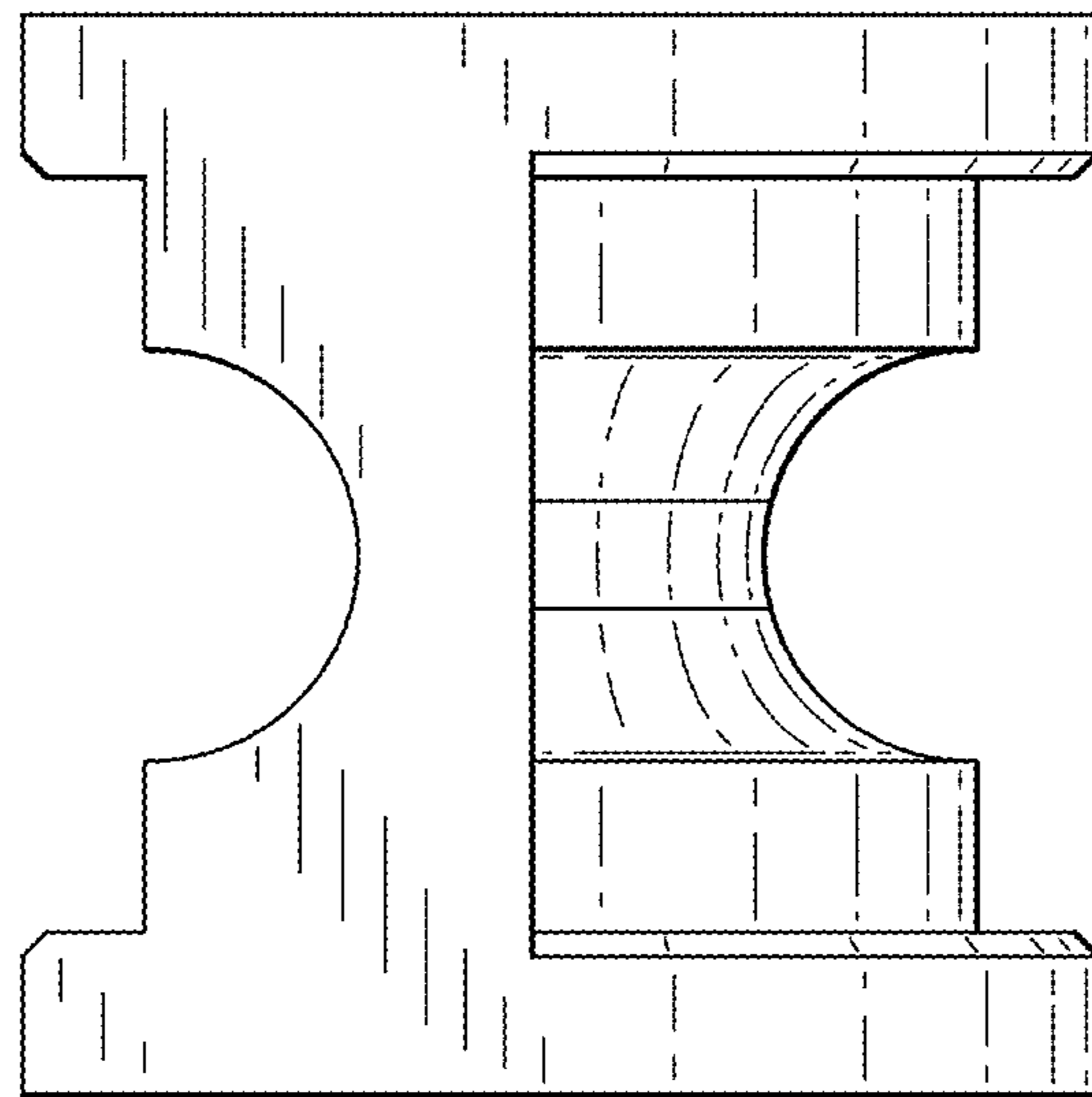


FIG. 5

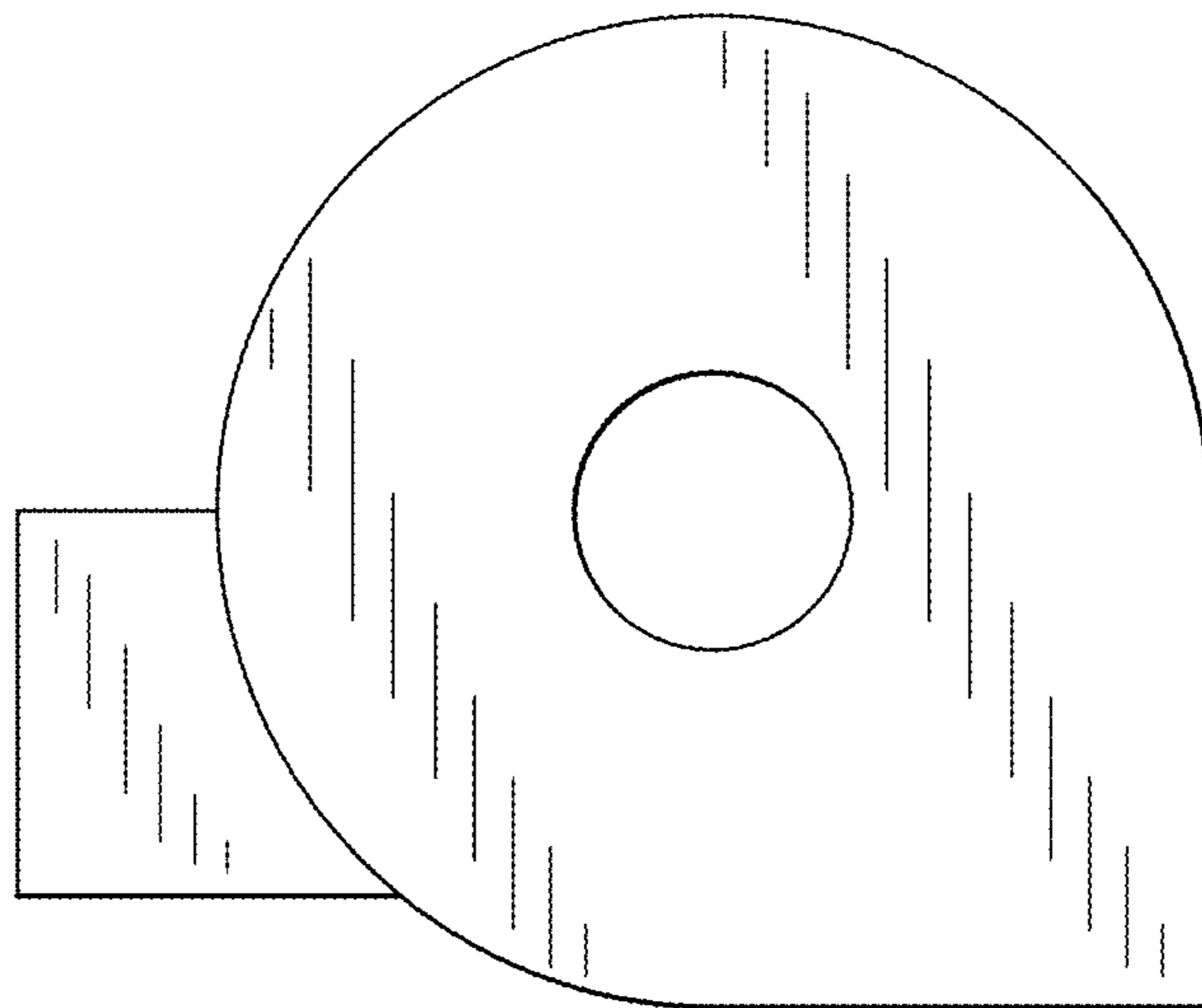


FIG. 6

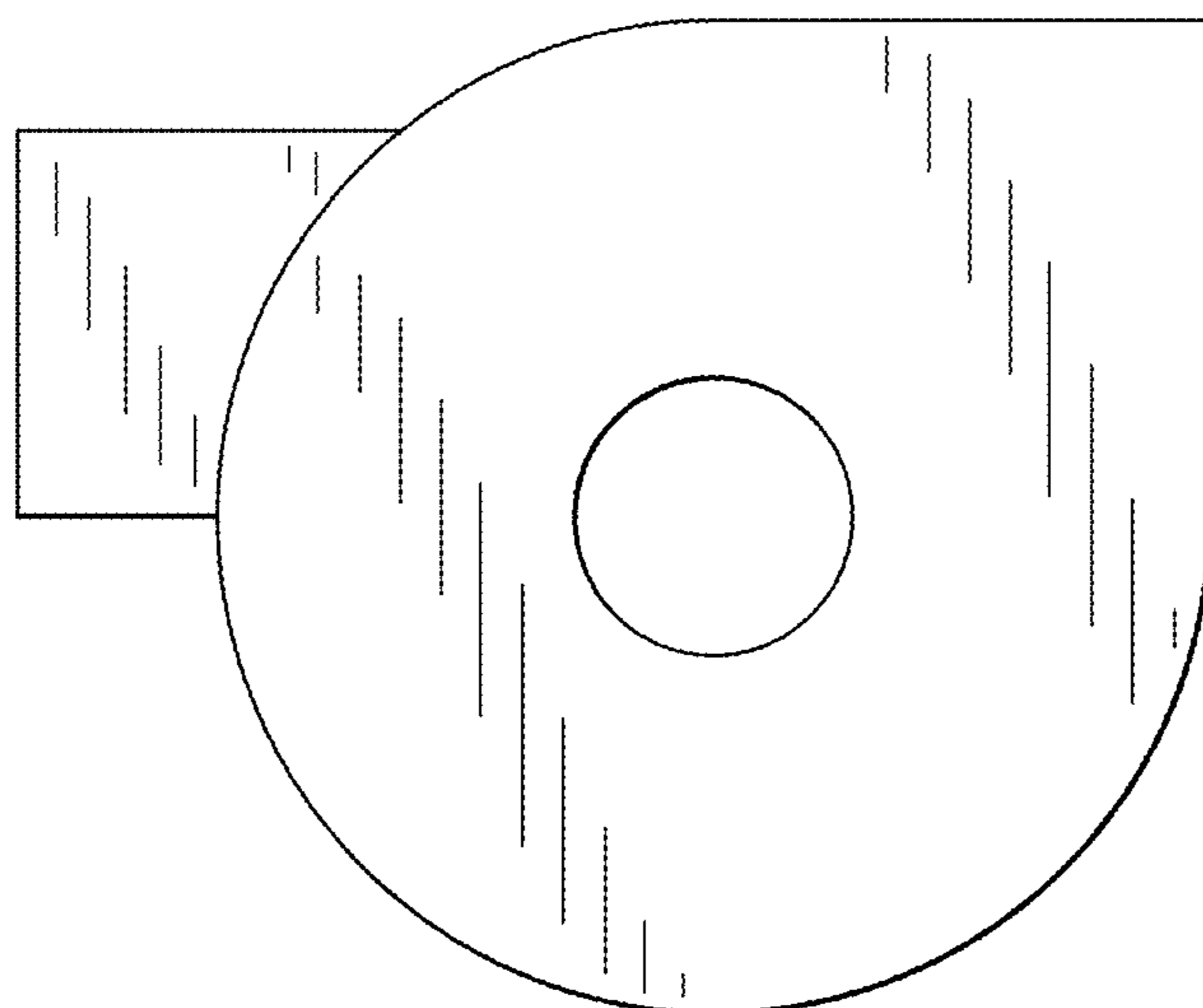


FIG. 7

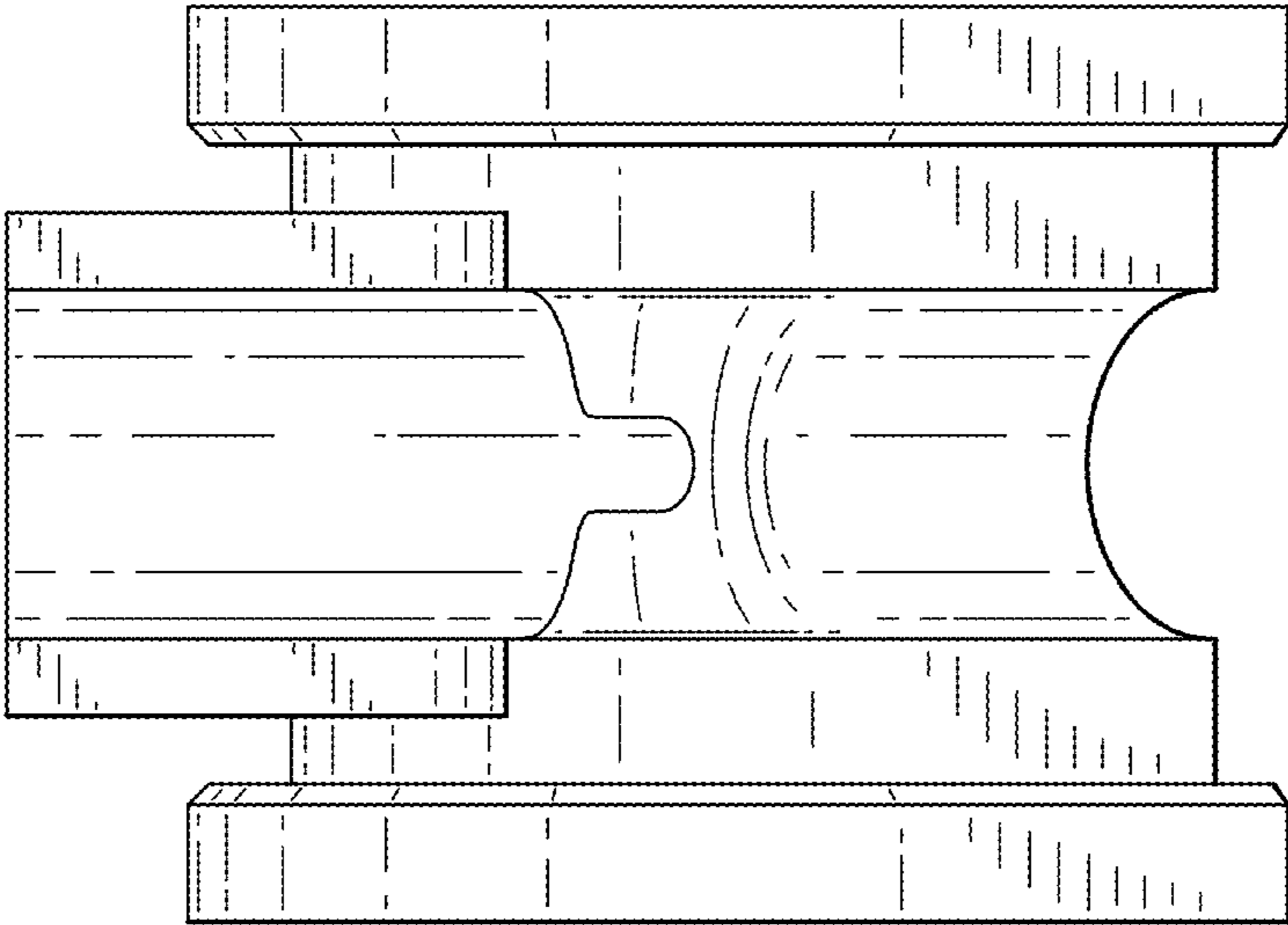


FIG. 8

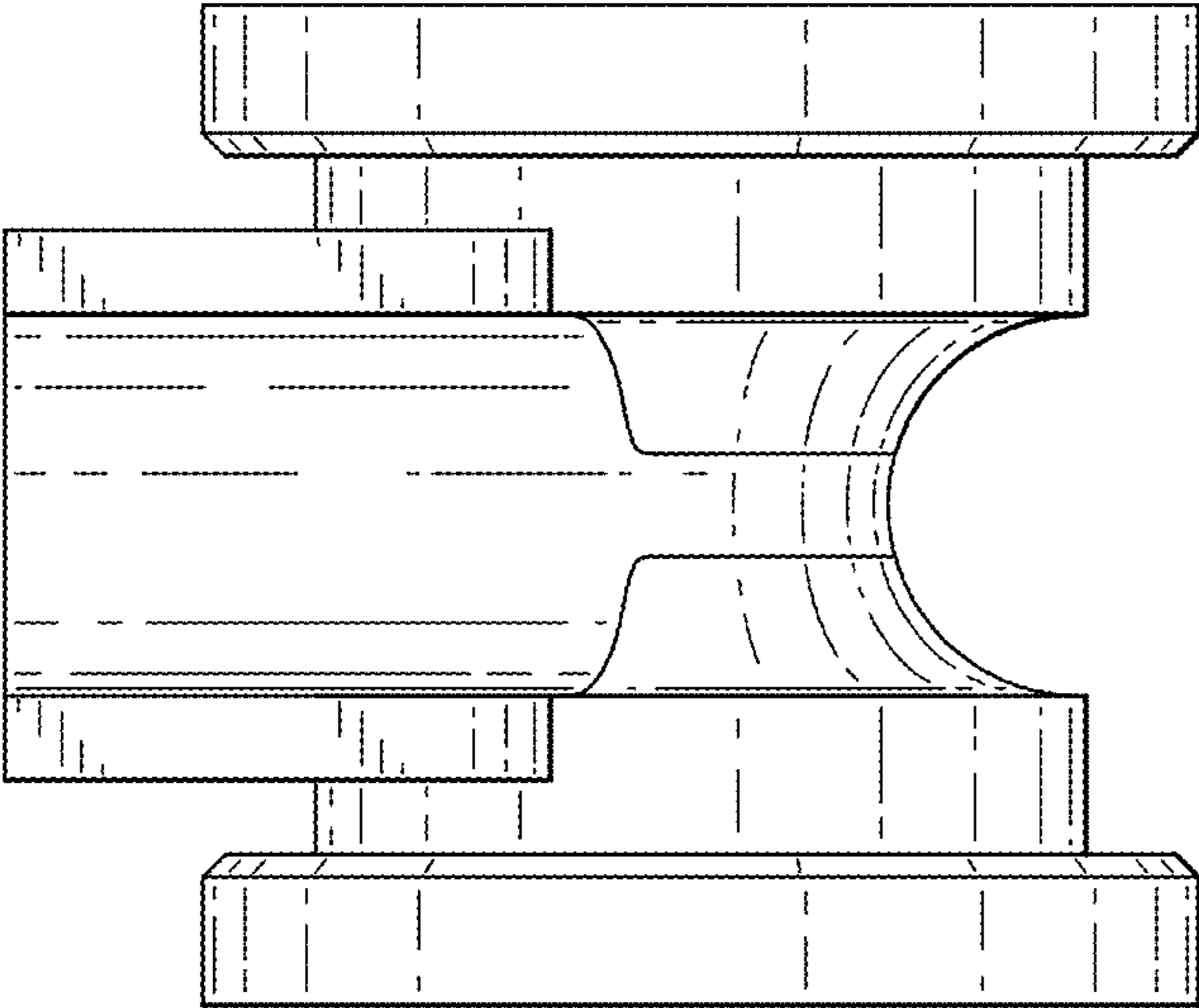


FIG. 9

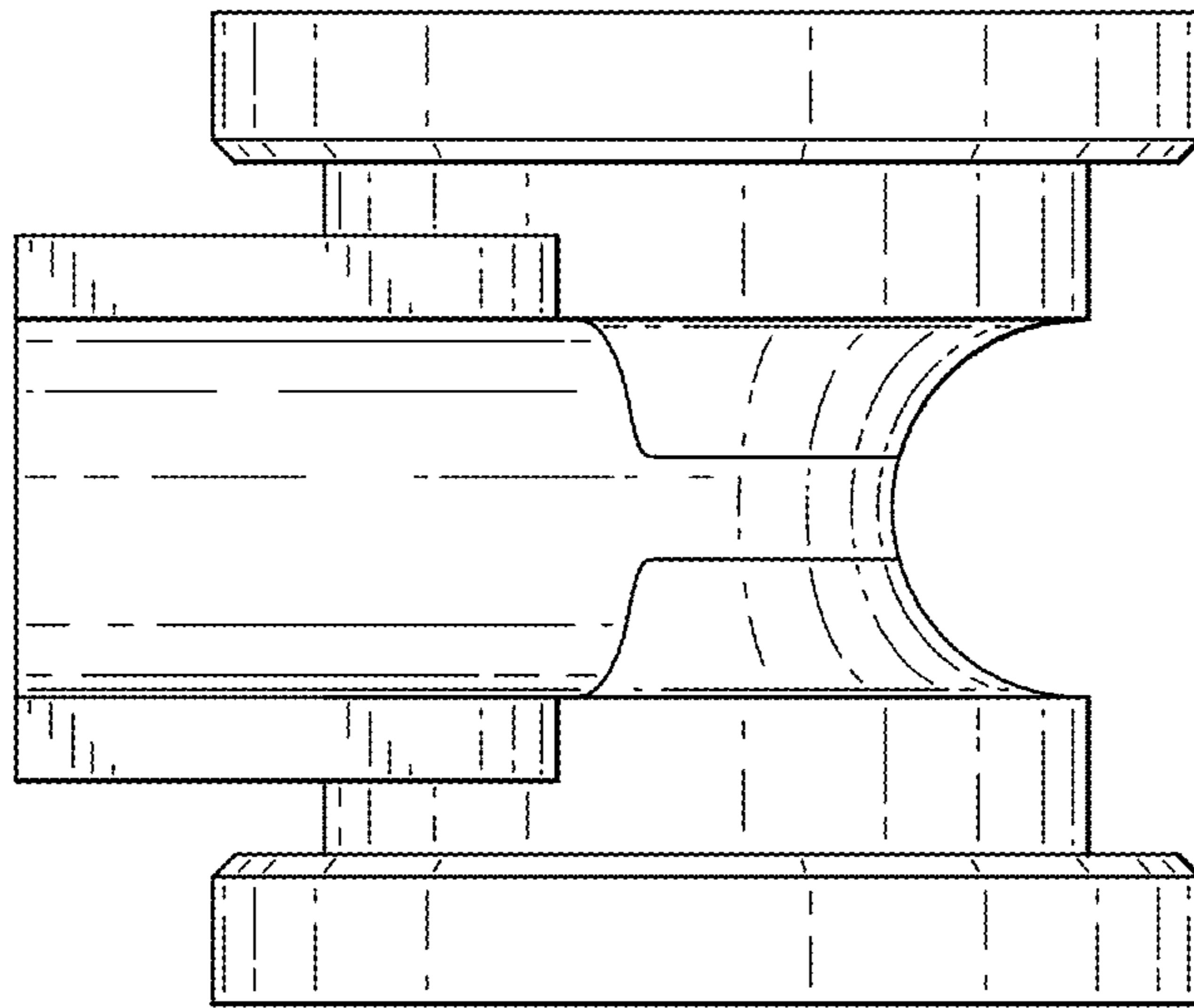


FIG. 10

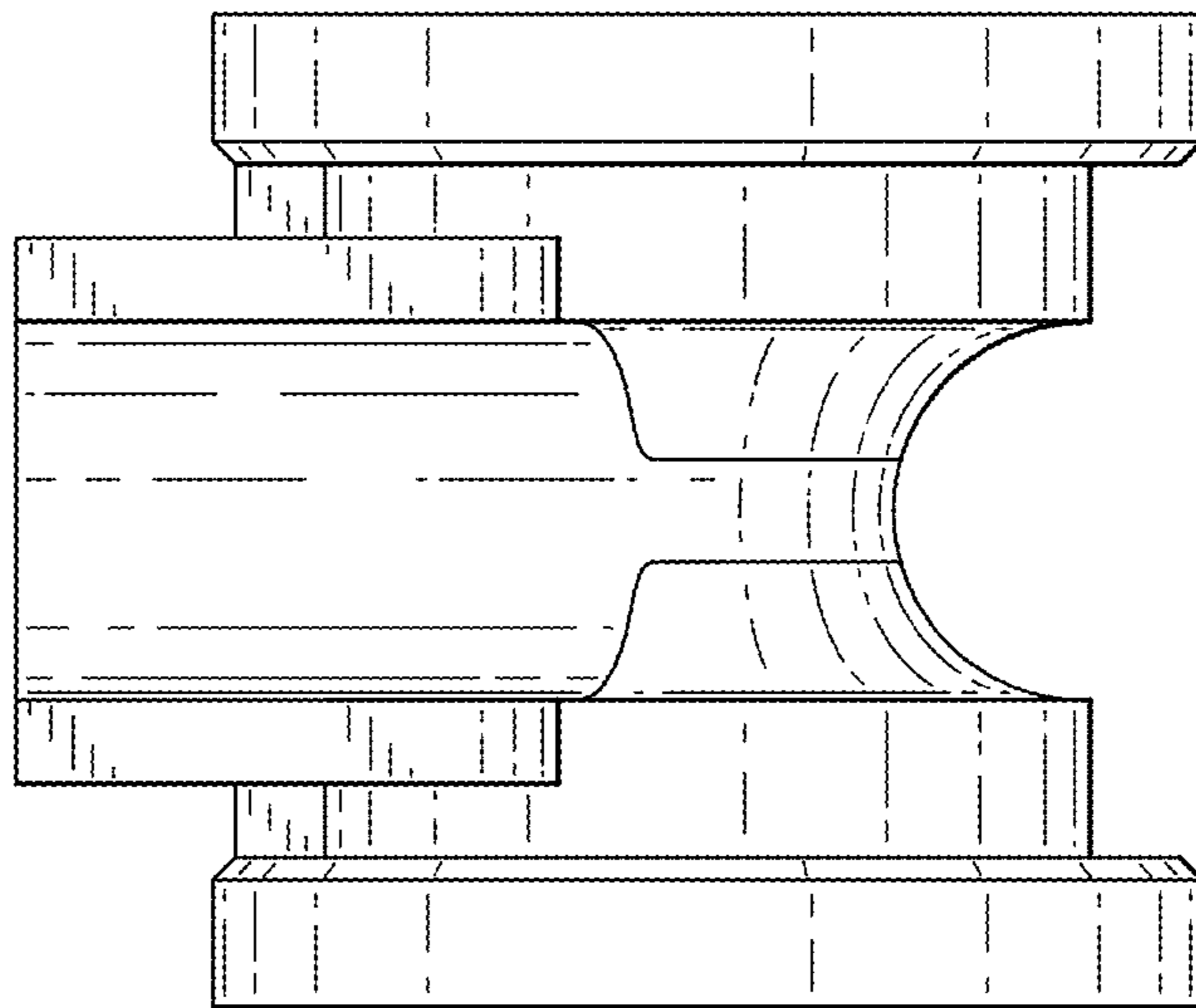


FIG. 11