



US00D772310S

(12) **United States Design Patent**
Lonati et al.

(10) **Patent No.:** **US D772,310 S**

(45) **Date of Patent:** **** Nov. 22, 2016**

(54) **TEXTILE, SEWING, KNITTING AND EMBROIDERY MACHINE INCLUDING ITS INTEGRAL PARTS**

(71) Applicant: **LONATI S.P.A.**, Brescia (IT)

(72) Inventors: **Ettore Lonati**, Botticino (IT); **Fausto Lonati**, Brescia (IT); **Francesco Lonati**, San Felice Del Benaco (IT)

(73) Assignee: **LONATI S.P.A.**, Brescia (IT)

(**) Term: **15 Years**

(21) Appl. No.: **29/505,121**

(22) Filed: **Jun. 5, 2015**

(30) **Foreign Application Priority Data**

Dec. 9, 2014 (EM) 002593608

(51) **LOC (10) Cl.** **15-06**

(52) **U.S. Cl.**
USPC **D15/66**

(58) **Field of Classification Search**
USPC D15/66-78
CPC D05B 1/00-25/00
See application file for complete search history.

(56) **References Cited**

U.S. PATENT DOCUMENTS

D207,425 S * 4/1967 Klaczkiewicz D15/66
D246,244 S * 11/1977 Current D15/66

D311,745 S * 10/1990 Wieland D15/66
D386,501 S * 11/1997 Shaw D15/66
D398,617 S * 9/1998 Vancayzeele D15/66
D511,533 S * 11/2005 Bossy D15/66
D511,784 S * 11/2005 Bossy D15/66
D611,964 S * 3/2010 Lonati D15/66
D694,784 S * 12/2013 Roso D15/66

* cited by examiner

Primary Examiner — Mitchell Siegel

(74) *Attorney, Agent, or Firm* — Modiano & Associati;
Daniel J. O'Byrne

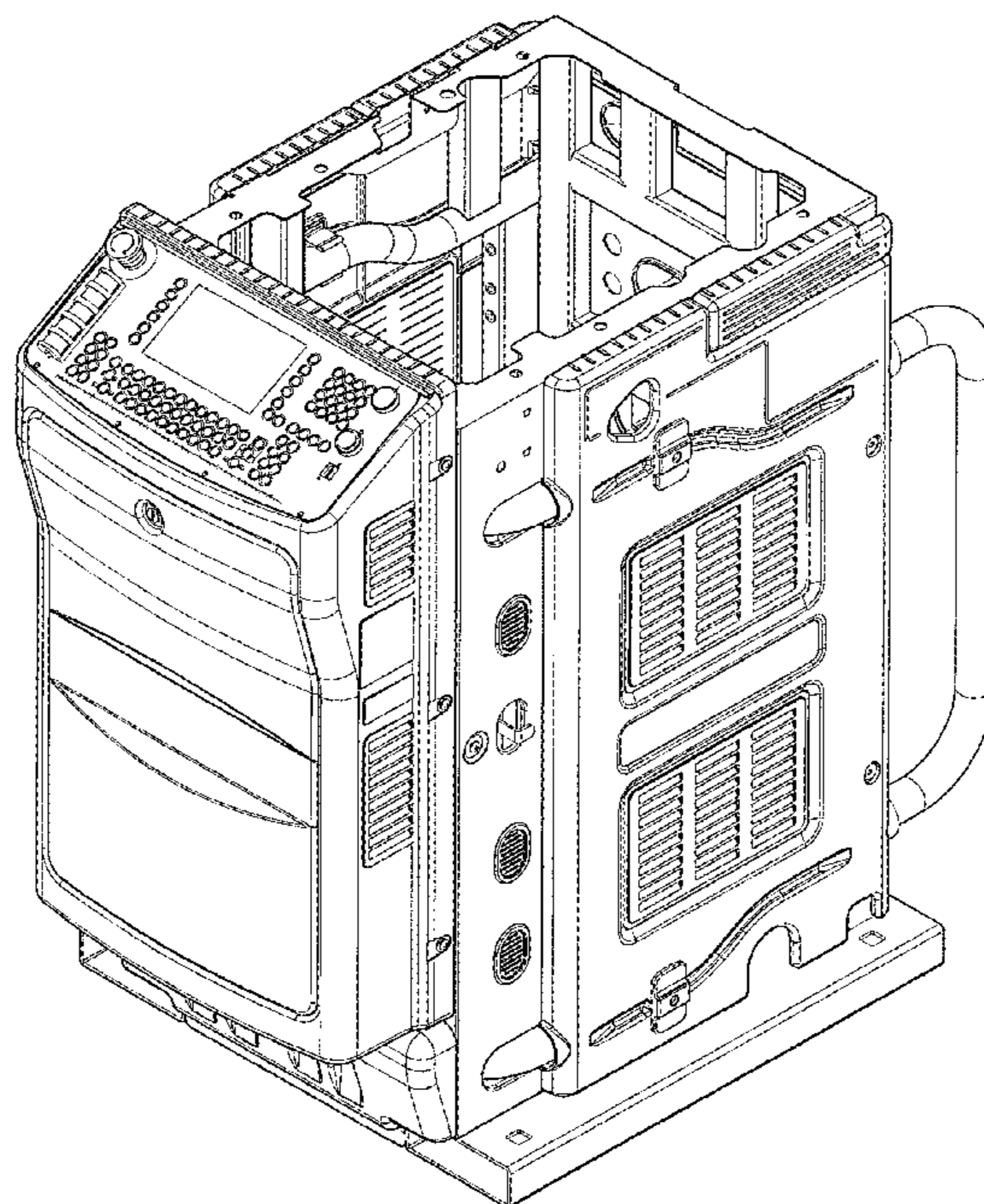
(57) **CLAIM**

The ornamental design for a textile, sewing, knitting and embroidery machine including its integral parts, as shown.

DESCRIPTION

FIG. 1 is a front perspective view of a textile, sewing, knitting and embroidery machine including its integral parts showing our new design;
FIG. 2 is a front view thereof;
FIG. 3 is a rear view thereof;
FIG. 4 is a left side view thereof;
FIG. 5 is a right side view thereof;
FIG. 6 is a top view thereof;
FIG. 7 is a bottom view thereof; and,
FIG. 8 is a rear perspective view thereof.

1 Claim, 8 Drawing Sheets



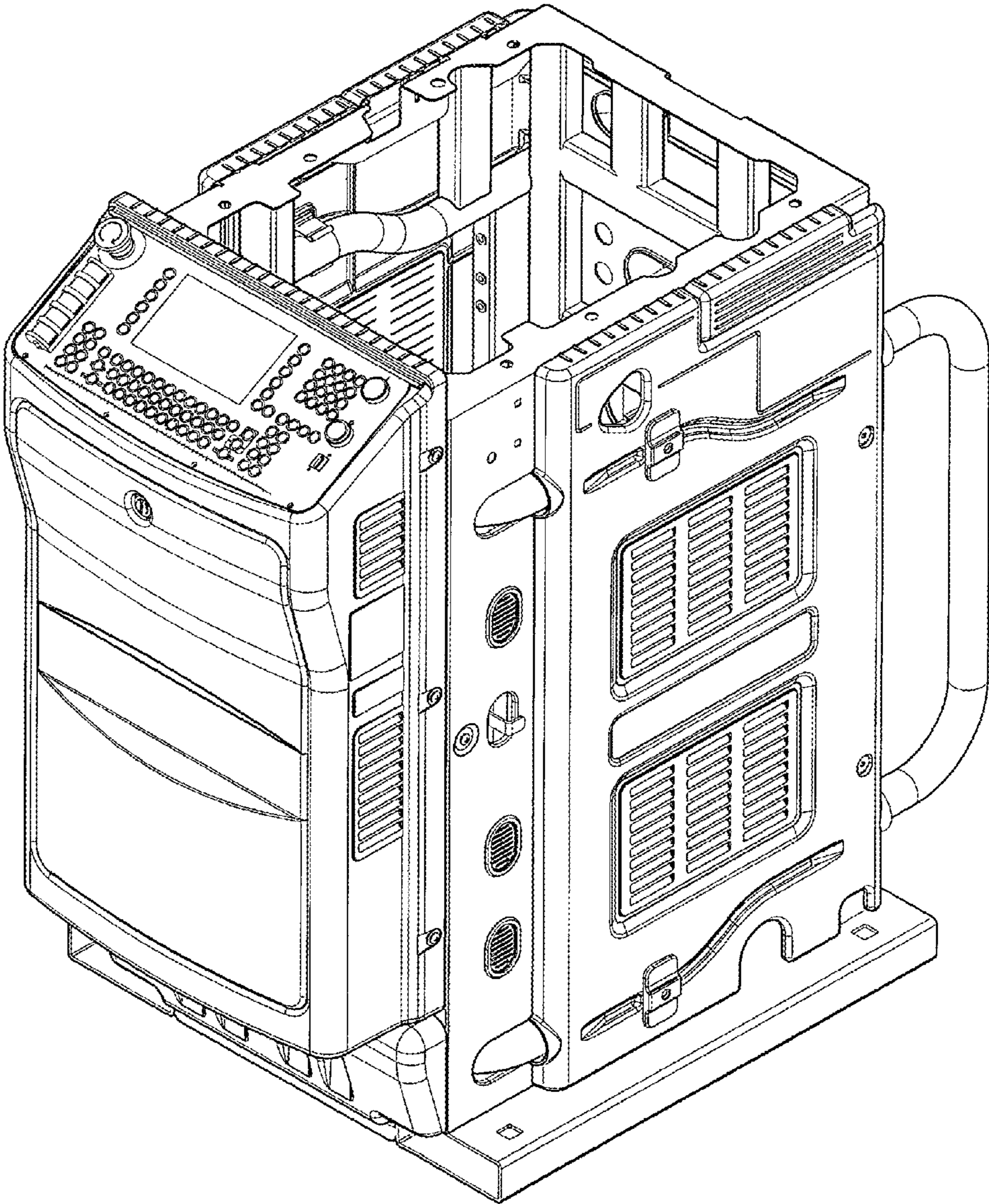


Fig. 1

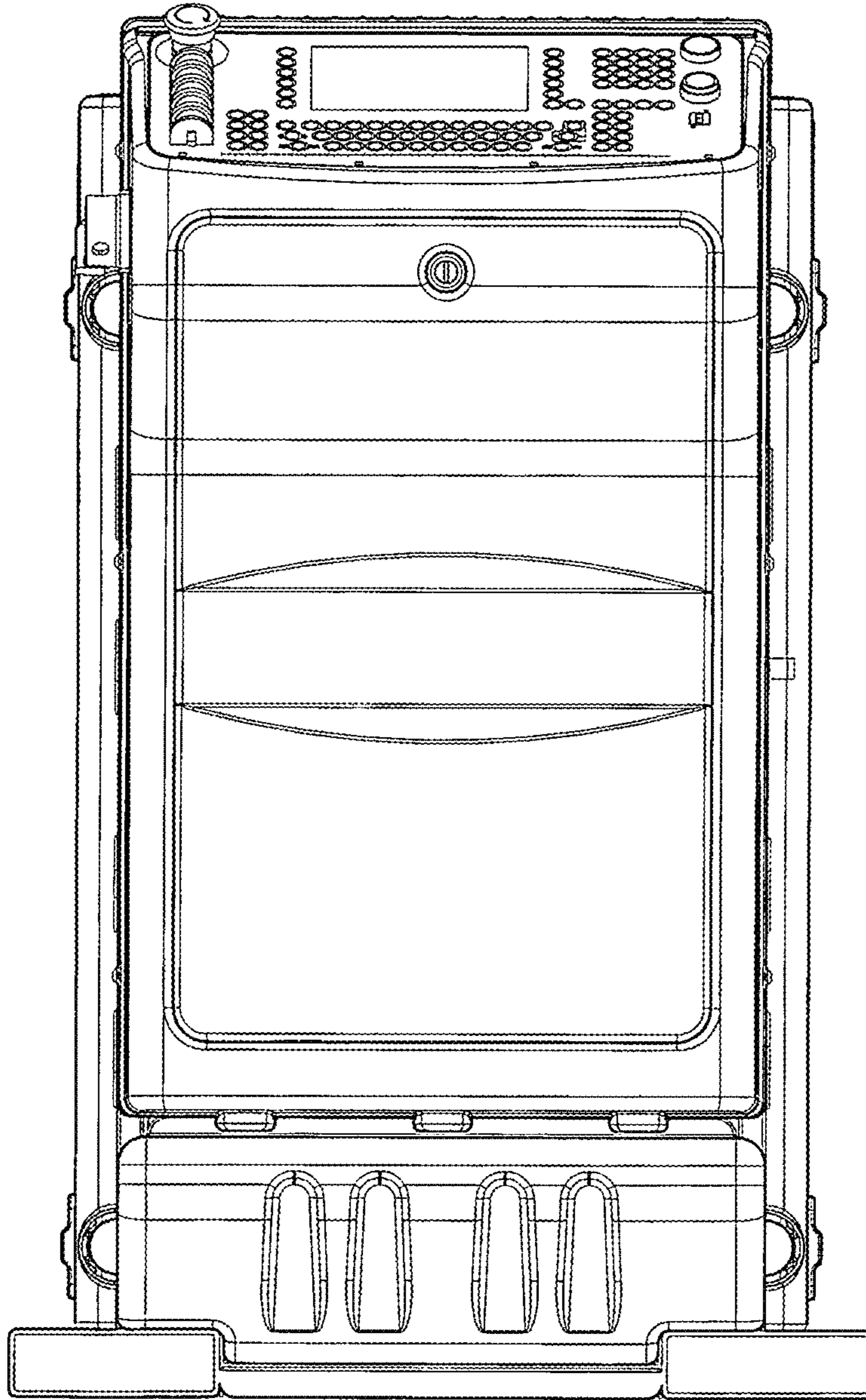


Fig. 2

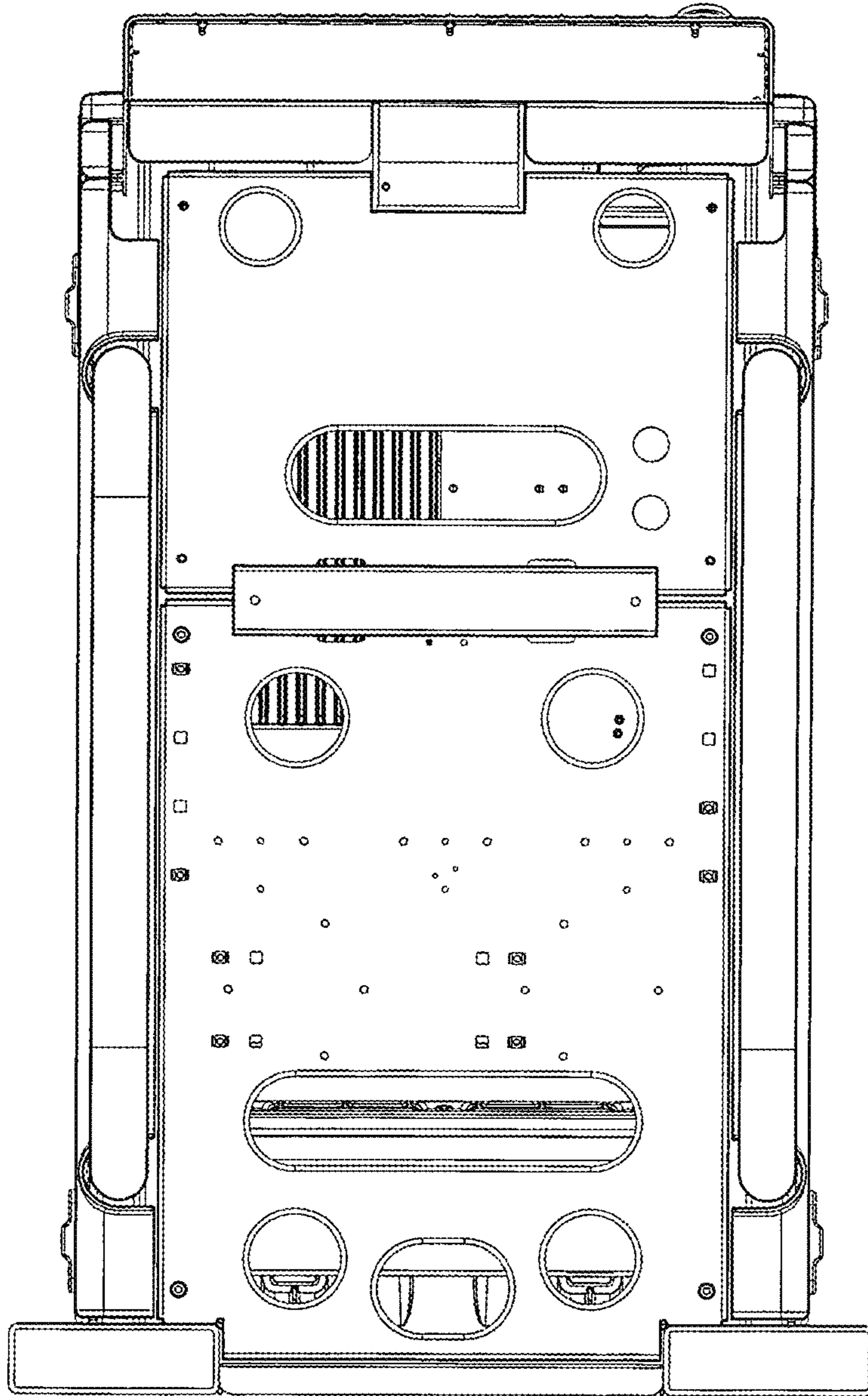


Fig. 3

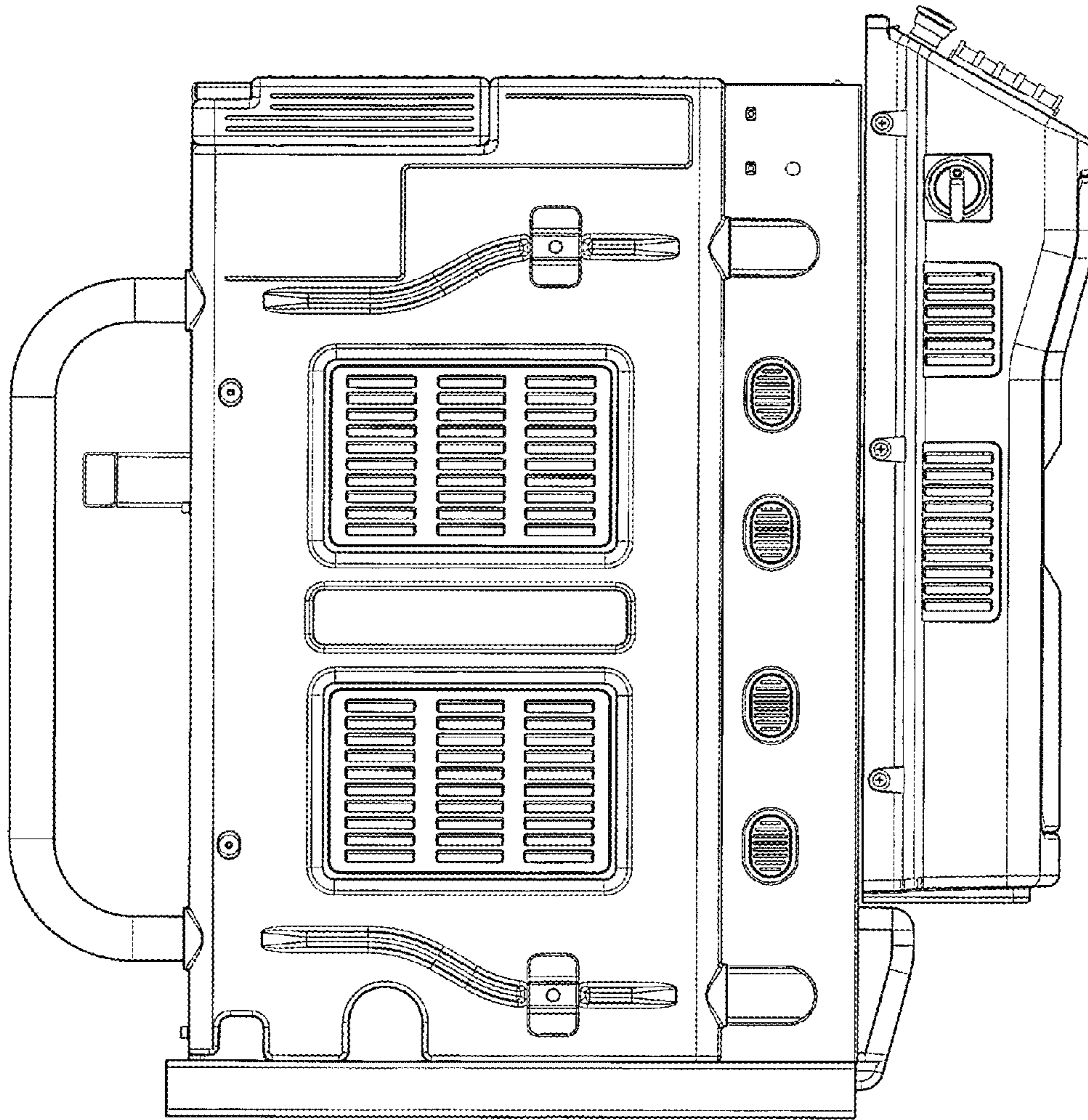


Fig. 4

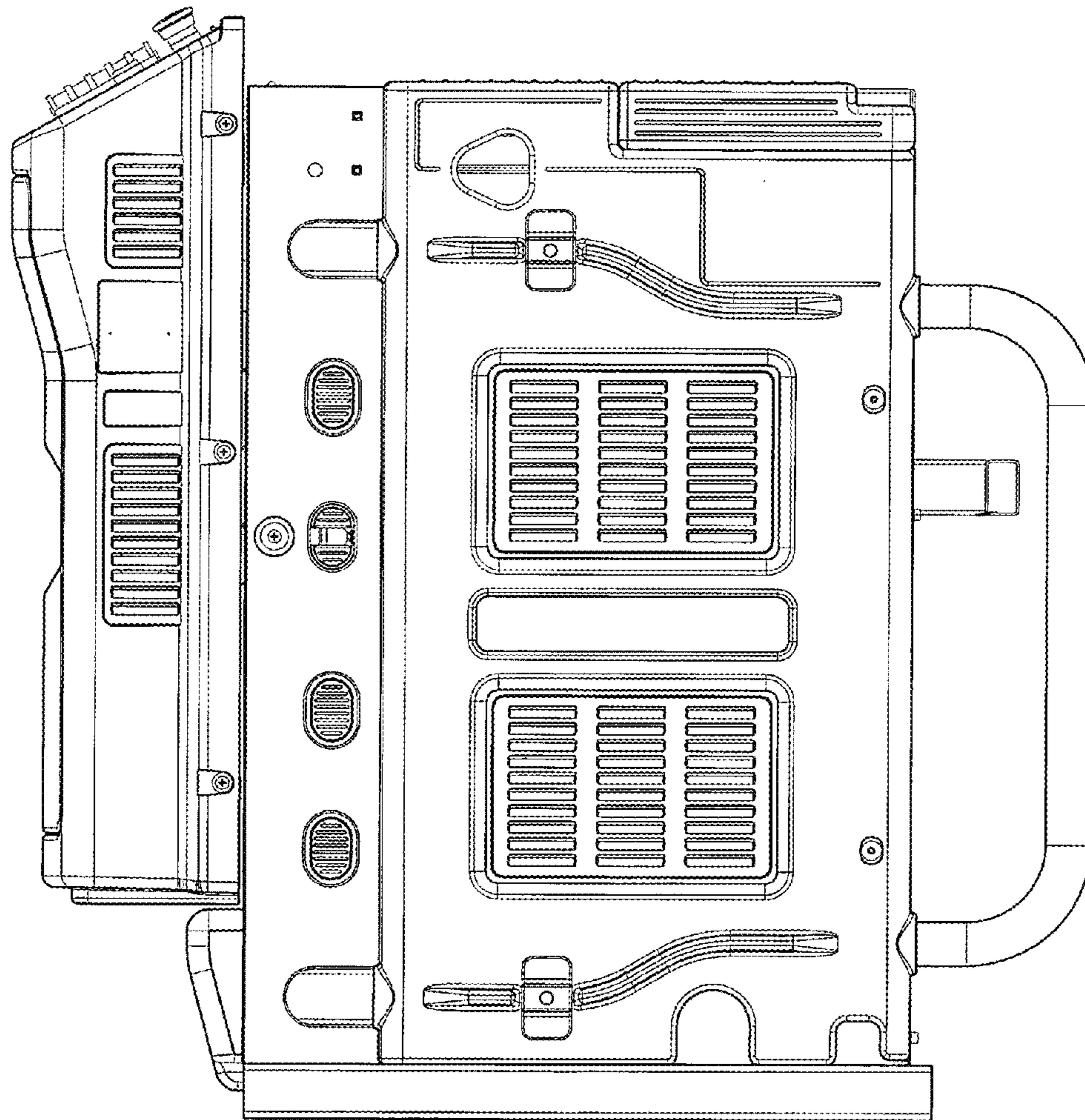


Fig. 5

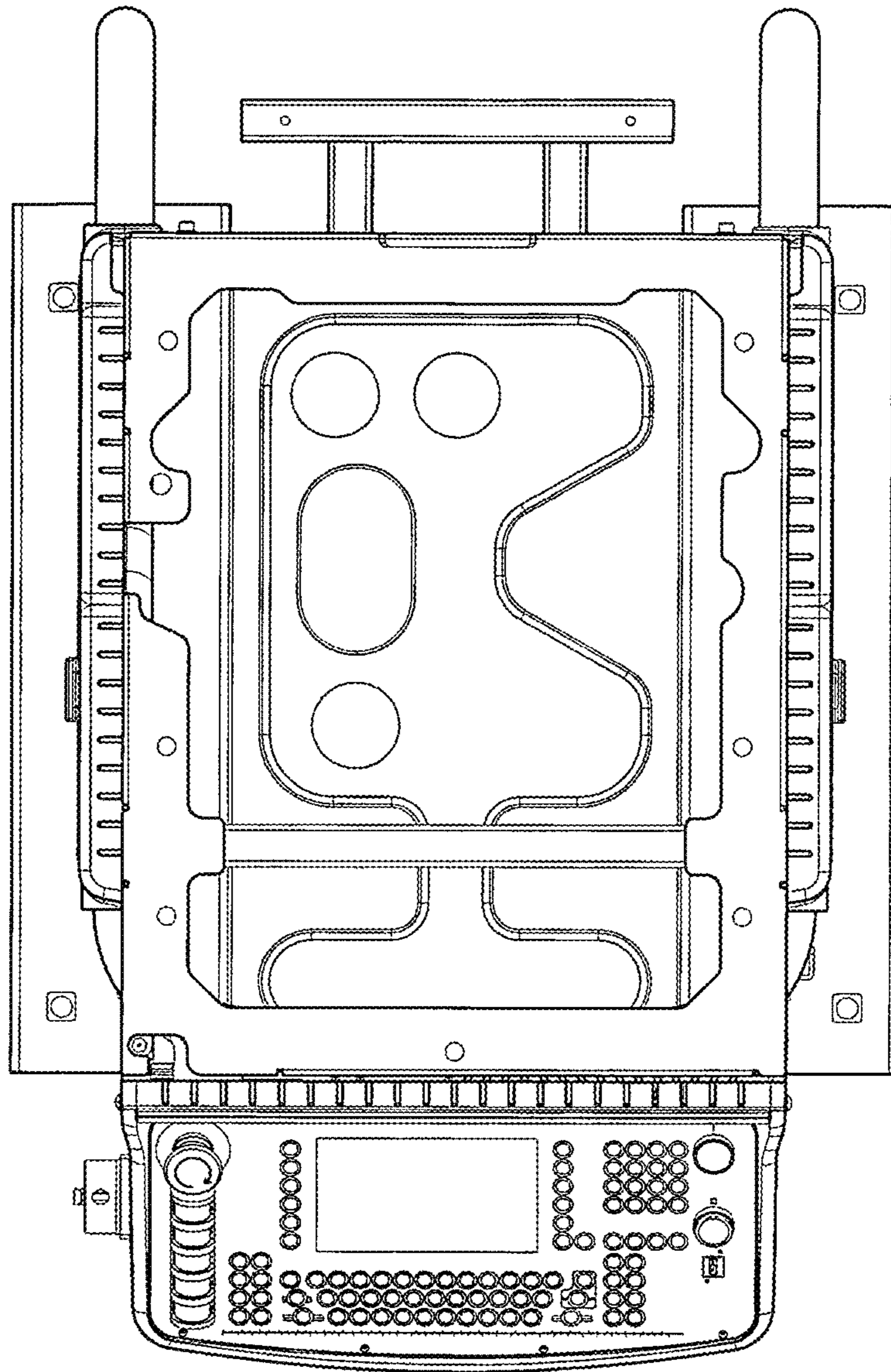


Fig. 6

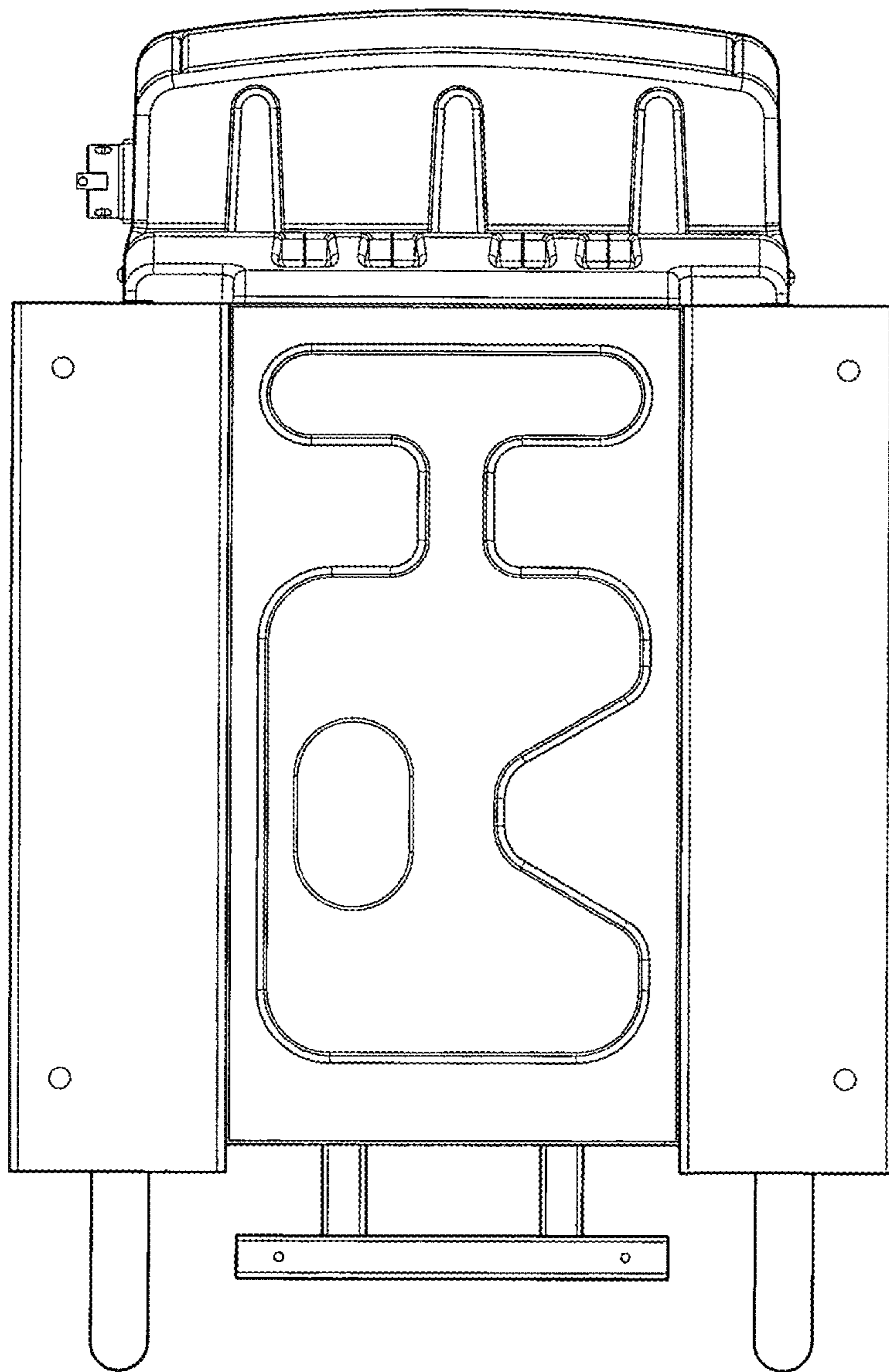


Fig. 7

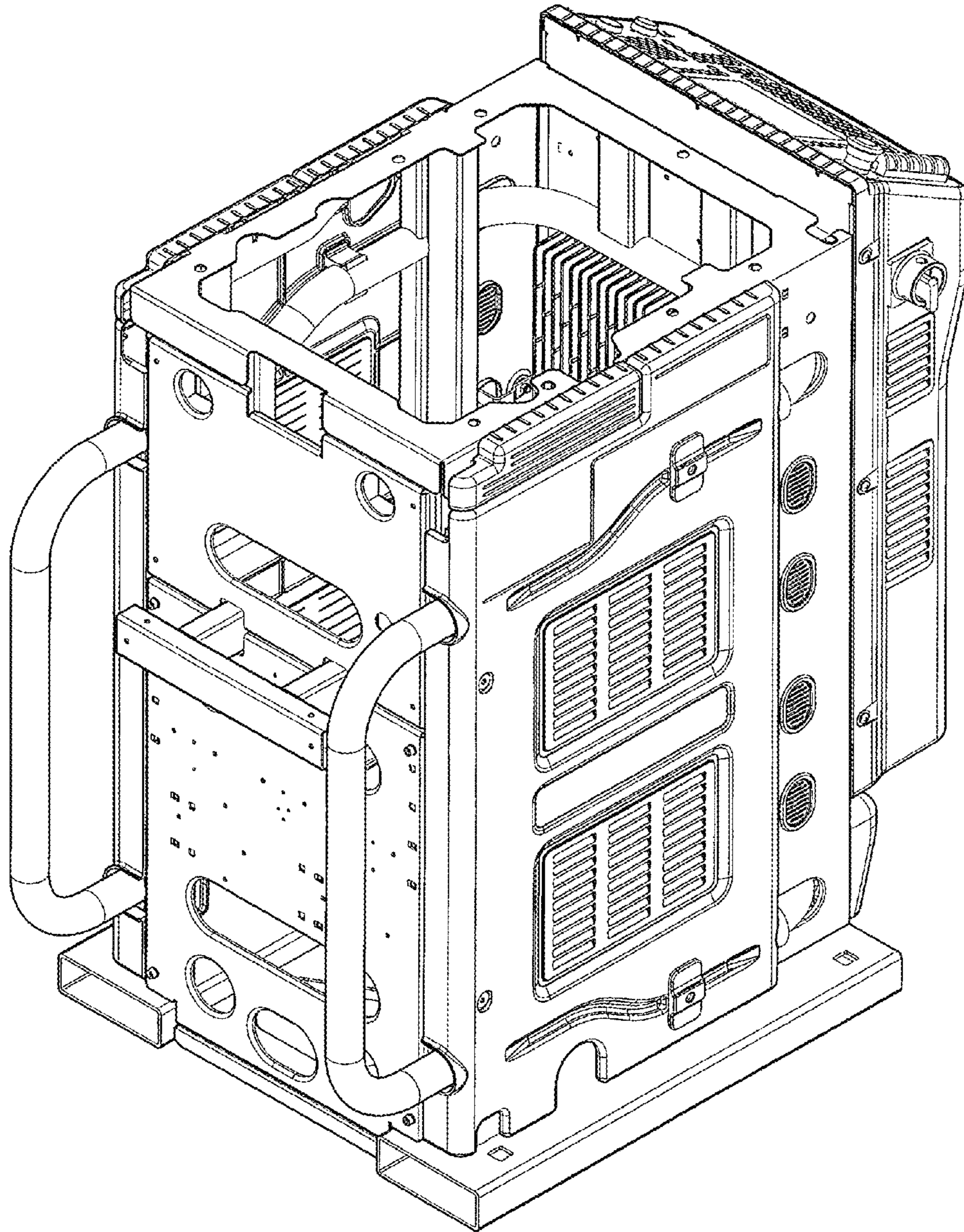


Fig. 8