



US00D772309S

(12) **United States Design Patent** (10) **Patent No.:** **US D772,309 S**
Underhill et al. (45) **Date of Patent:** **** Nov. 22, 2016**

(54) **GRILL FOR A BACKHOE LOADER**

(71) Applicant: **J.C. BAMFORD EXCAVATORS LIMITED**, Rocester (GB)

(72) Inventors: **Thomas Edward Underhill**, Rocester (GB); **Samuel John Jilbert**, Rocester (GB)

(73) Assignee: **J.C. BAMFORD EXCAVATORS LIMITED**, Utttoxeter (GB)

(**) Term: **15 Years**

(21) Appl. No.: **29/539,047**

(22) Filed: **Sep. 10, 2015**

(30) **Foreign Application Priority Data**

Mar. 10, 2015 (EM) 001431910

(51) **LOC (10) Cl.** **15-03**

(52) **U.S. Cl.**
USPC **D15/31**

(58) **Field of Classification Search**
USPC D15/10, 11, 13-17, 28, 22-26, 31, 30;
D12/173; 180/69.21, 89.1, 89.12, 900,
180/69.2, 68.1, 69.1; 56/13.3, 13.4, 15.8,
56/15.9, 320.1

CPC F01P 11/10; F01P 2001/005; F01P 5/06;
B60K 11/04; B60K 11/08; B60Y 2200/221;
B60R 19/52; B60R 21/38

See application file for complete search history.

(56) **References Cited**

U.S. PATENT DOCUMENTS

- D311,543 S * 10/1990 Hardzinski D15/17
- D381,025 S * 7/1997 Bataille D15/31
- D389,492 S * 1/1998 Schmidt D15/17
- D411,210 S * 6/1999 Goebert D12/163
- D447,153 S * 8/2001 Hornung D15/17

- D474,206 S * 5/2003 Kuwae D15/31
- D483,383 S * 12/2003 Crookes D15/31
- D488,488 S * 4/2004 Montgomery D15/31
- D488,489 S * 4/2004 Montgomery D15/31
- D498,485 S * 11/2004 Kuwae D15/31
- D554,669 S * 11/2007 Crookes D15/31
- D560,692 S * 1/2008 Moen D15/31
- D624,944 S * 10/2010 Major D15/31
- D624,945 S * 10/2010 Major D15/31
- D631,489 S * 1/2011 Booth D15/31

(Continued)

Primary Examiner — Mark Goodwin

(74) *Attorney, Agent, or Firm* — Marshall, Gerstein & Borun LLP

(57) **CLAIM**

The ornamental design for a grill for a backhoe loader, as shown and described.

DESCRIPTION

FIG. 1 is a front, left-side, and top view of a grill for a backhoe loader showing one embodiment of the new design. FIG. 2 is a front, right-side, and top view of the grill for a backhoe loader.

FIG. 3 is a front, left-side, and top view showing the placement of the grill on the hood of a backhoe loader.

FIG. 4 is a front elevation view showing the placement of the grill on the hood of a backhoe loader.

FIG. 5 is a right-side elevation view showing the placement of the grill on the hood of a backhoe loader.

FIG. 6 is a left-side elevation view showing the placement of the grill on the hood of a backhoe loader.

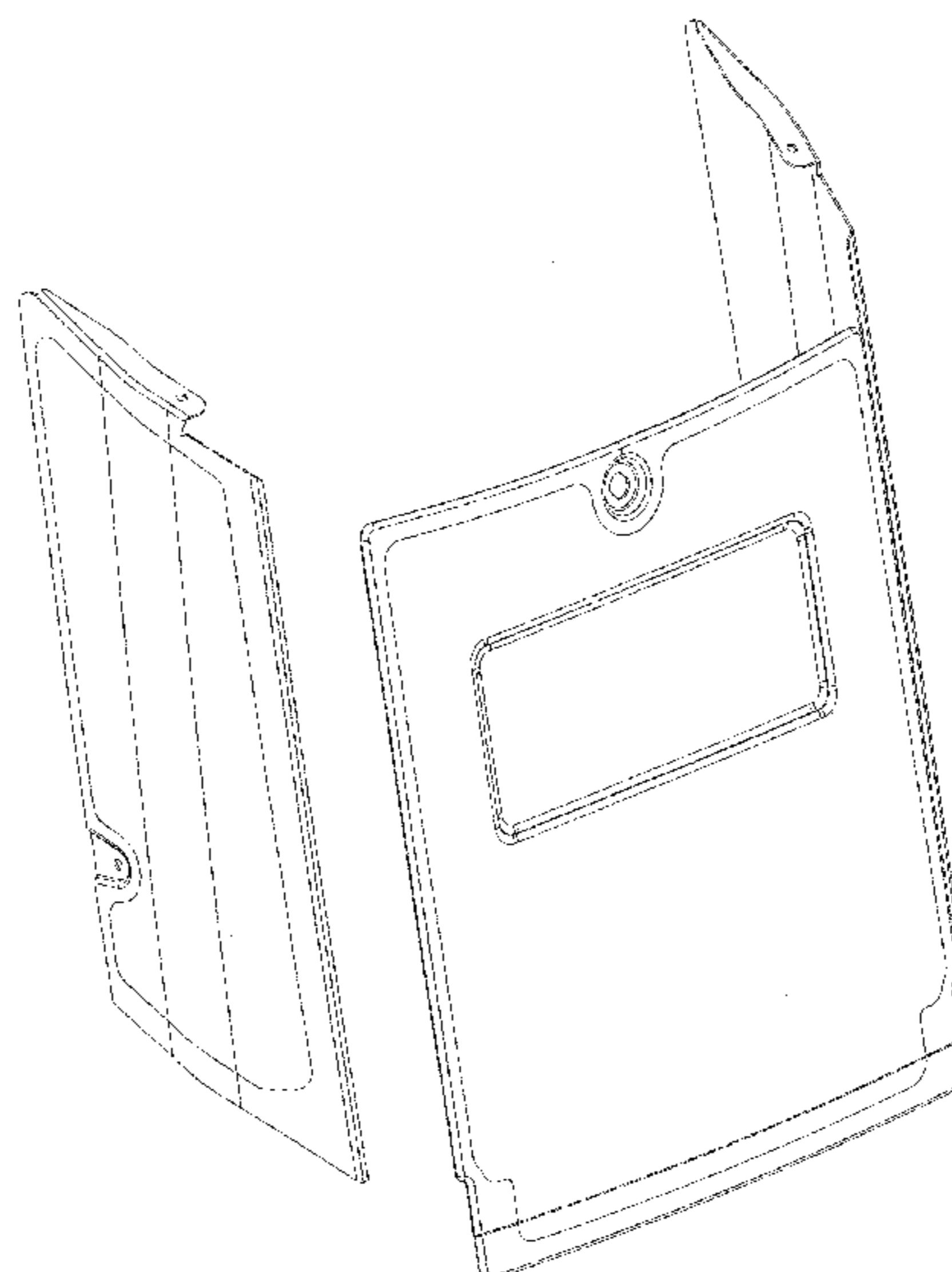
FIG. 7 is a top plan view showing the placement of the grill on the hood of a backhoe Loader; and,

FIG. 8 is a front, right-side, and top view showing the placement of the grill on the hood.

The broken lines show environmental structure and form no part of the claimed design.

Any elements that are not clearly disclosed are not part of the claimed design.

1 Claim, 8 Drawing Sheets



(56)

References Cited

U.S. PATENT DOCUMENTS

D646,305 S *	10/2011	Krogh	D15/31	D682,324 S *	5/2013	Ryan	D15/31
D655,317 S *	3/2012	Hagele	D15/31	D690,327 S *	9/2013	Kim	D15/31
D655,318 S *	3/2012	Hagele	D15/31	D707,729 S *	6/2014	Jackson	D15/31
D661,323 S *	6/2012	Krogh	D15/31	D707,730 S *	6/2014	Jackson	D15/31
D668,695 S *	10/2012	Ringer	D15/31	D716,348 S *	10/2014	Ryan	D15/31
D675,233 S *	1/2013	Kushita	D15/31	D716,846 S *	11/2014	Carter	D15/31
D675,234 S *	1/2013	Kushita	D15/31	D728,640 S *	5/2015	Turner	D15/31
D676,466 S *	2/2013	Ewringmann	D15/20	D752,117 S *	3/2016	Jackson	D15/31
				D756,422 S *	5/2016	Romer	D15/31
				D757,126 S *	5/2016	Vaninetti	D15/31

* cited by examiner

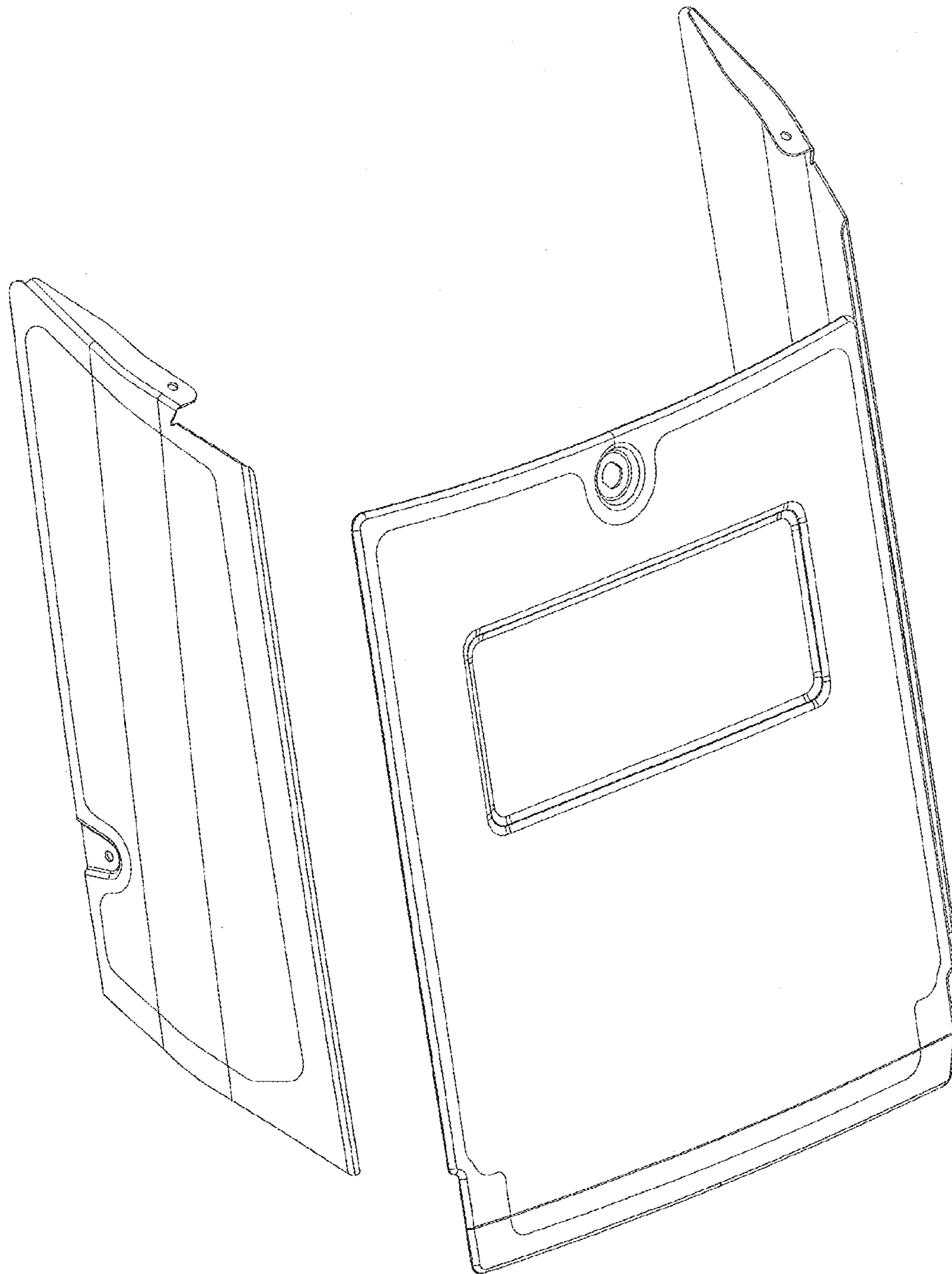


Fig. 1

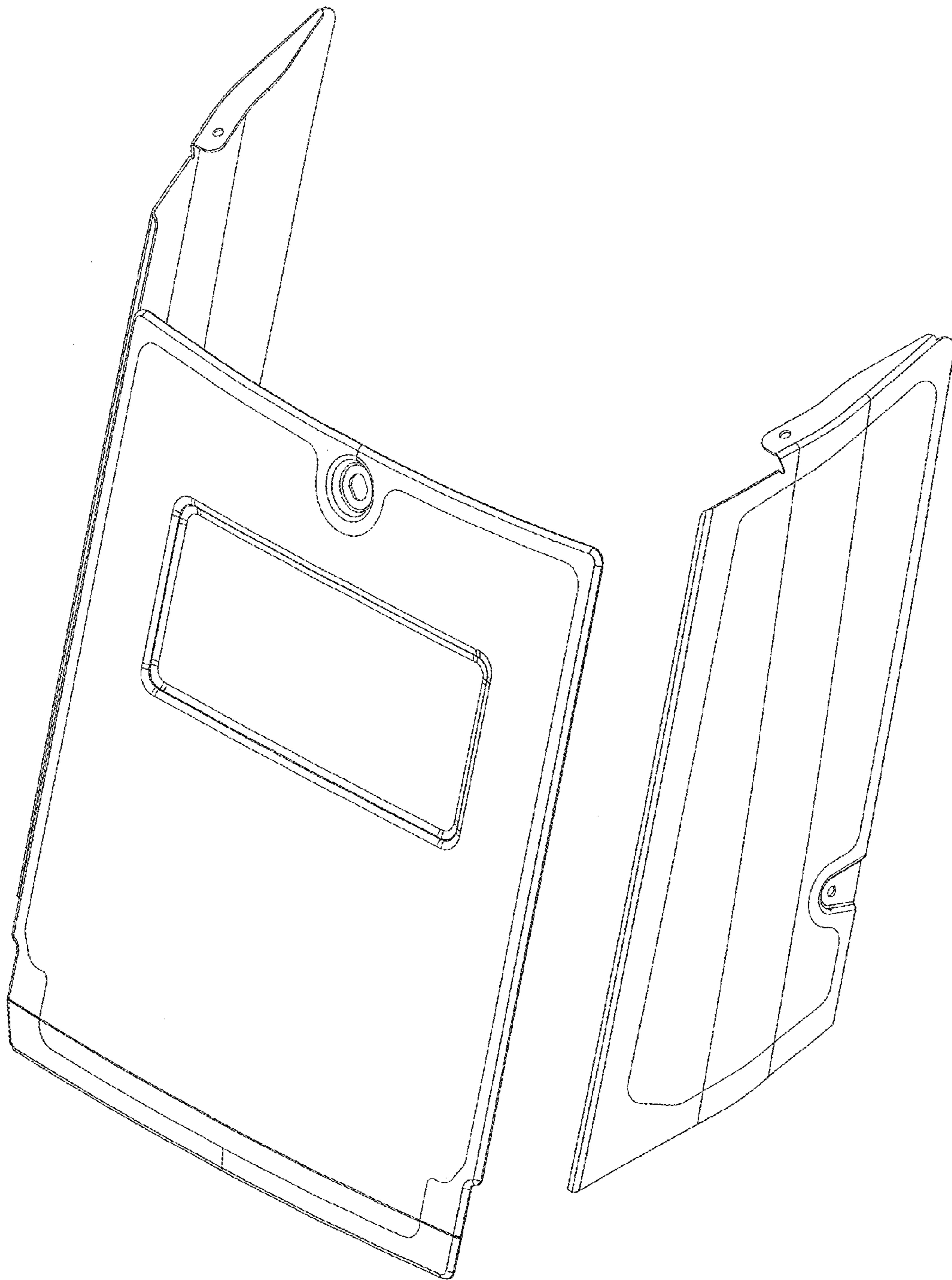


Fig. 2

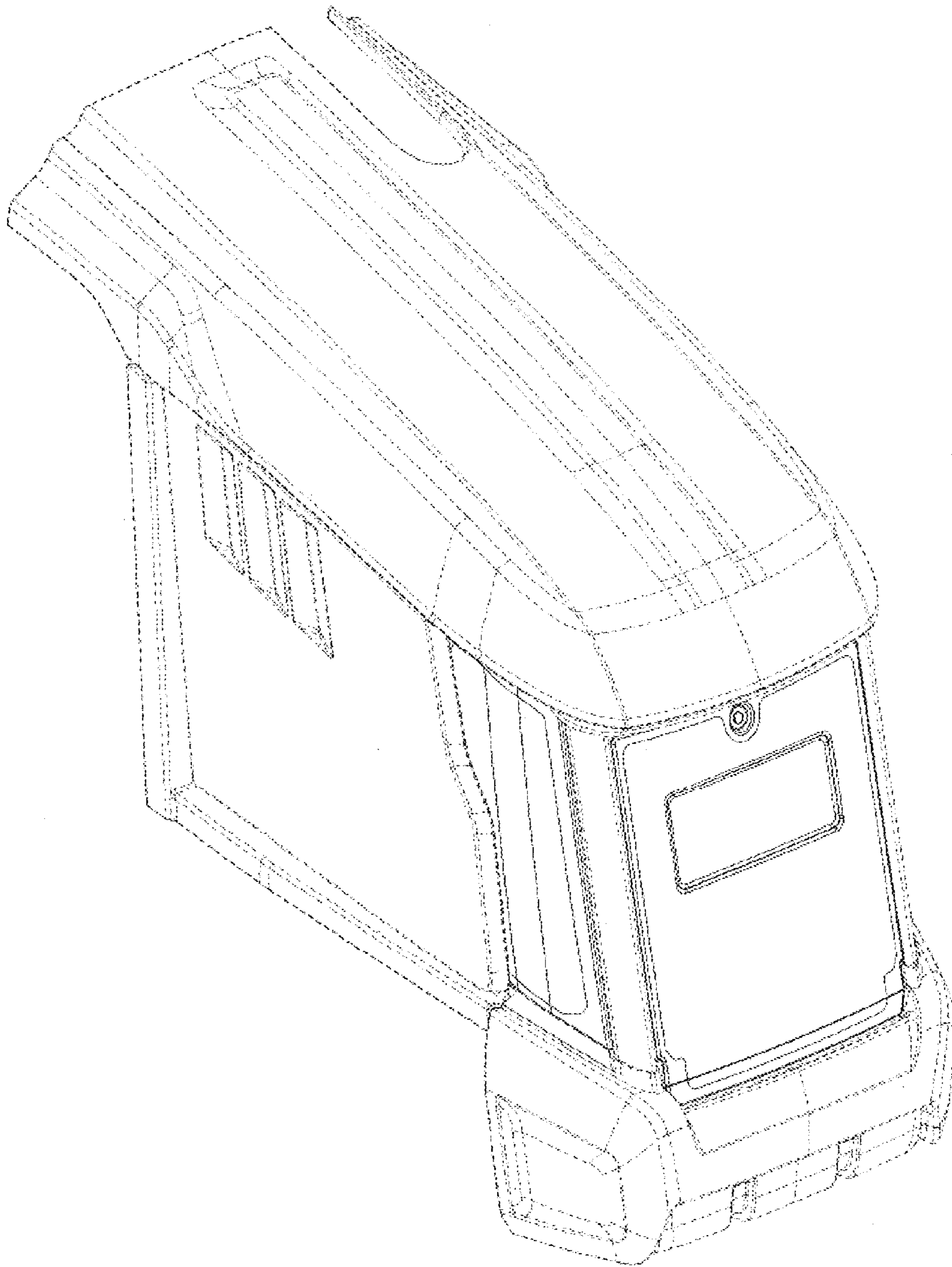


Fig. 3

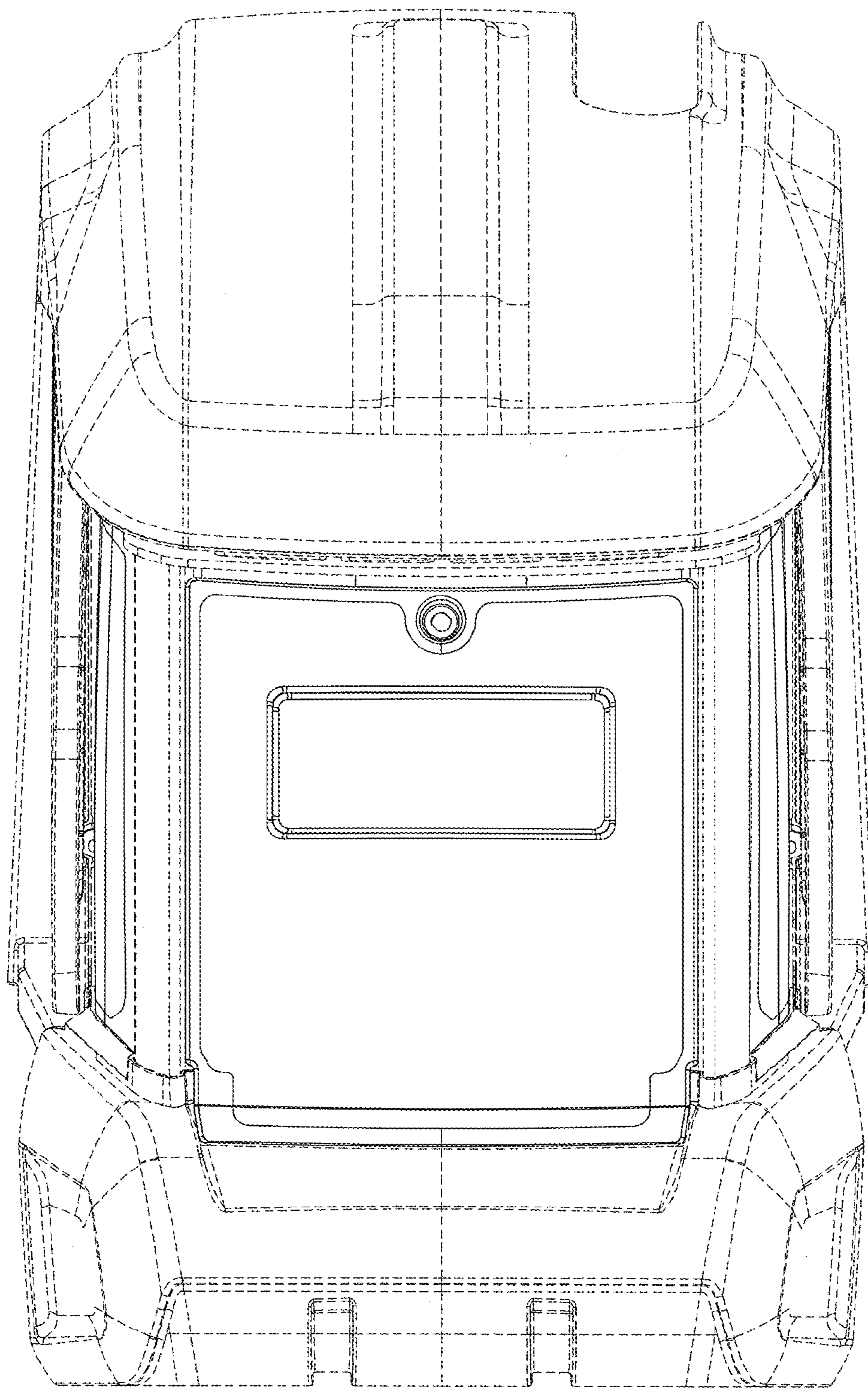


Fig. 4

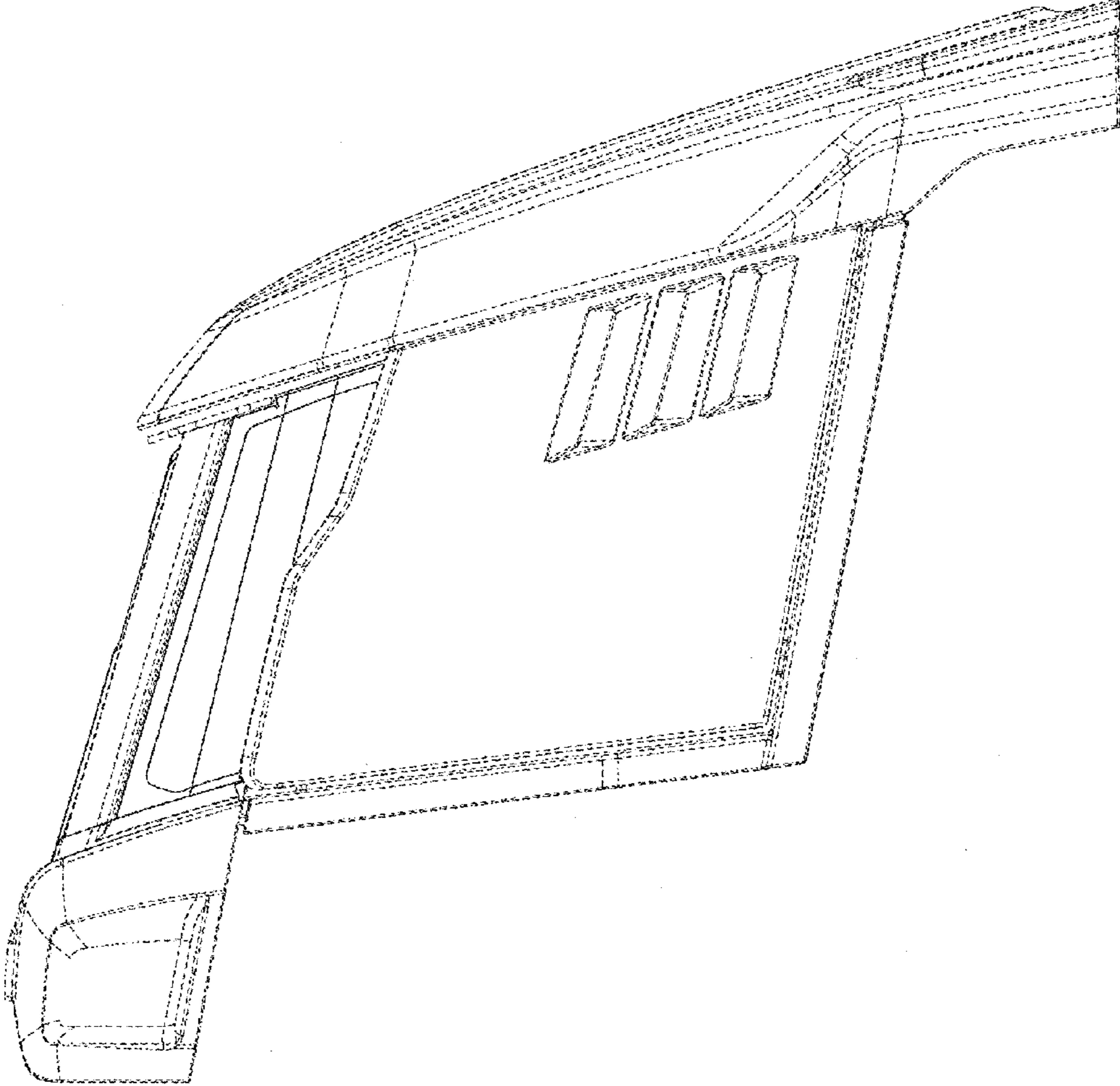


Fig. 5

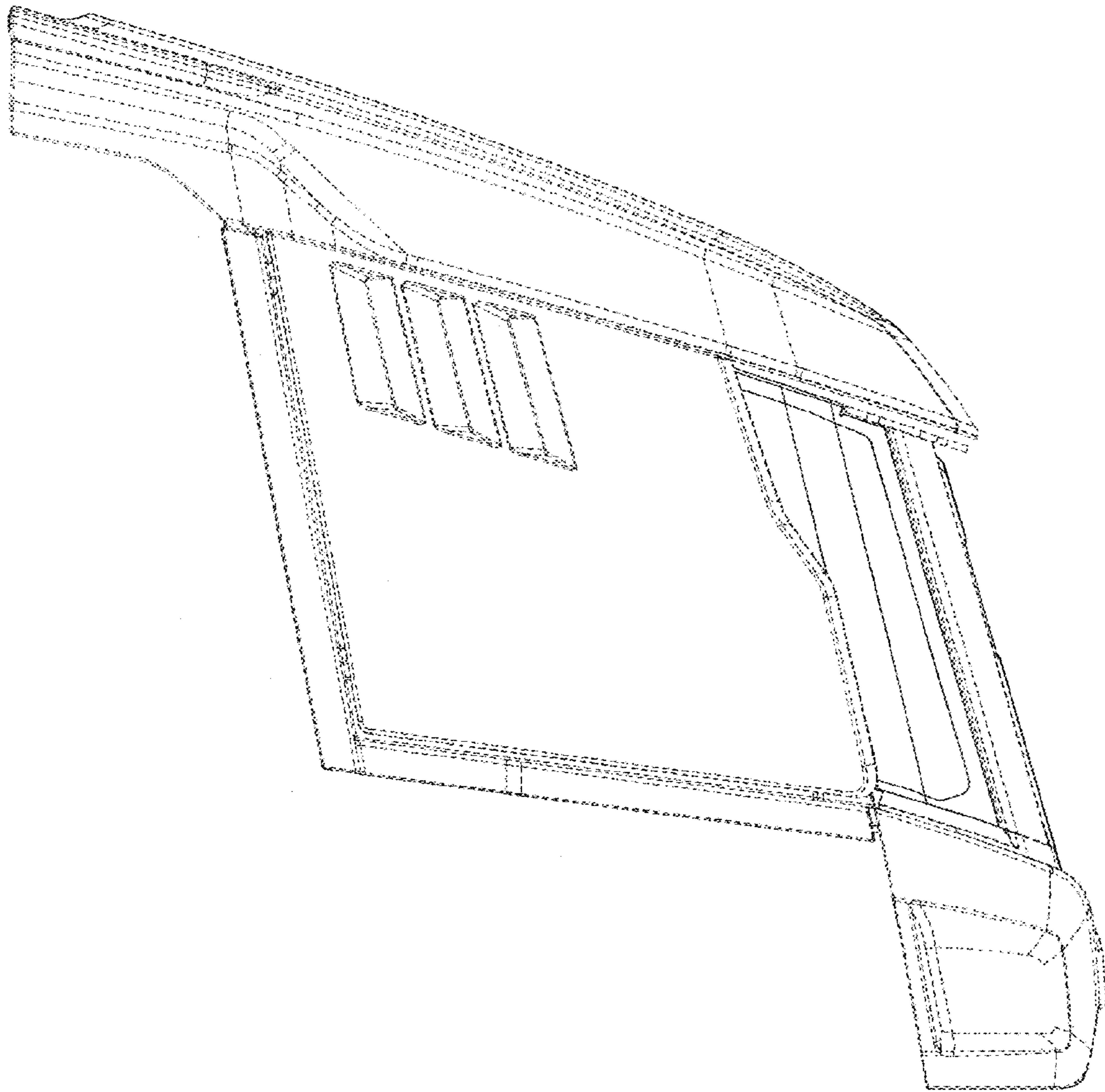


Fig. 6

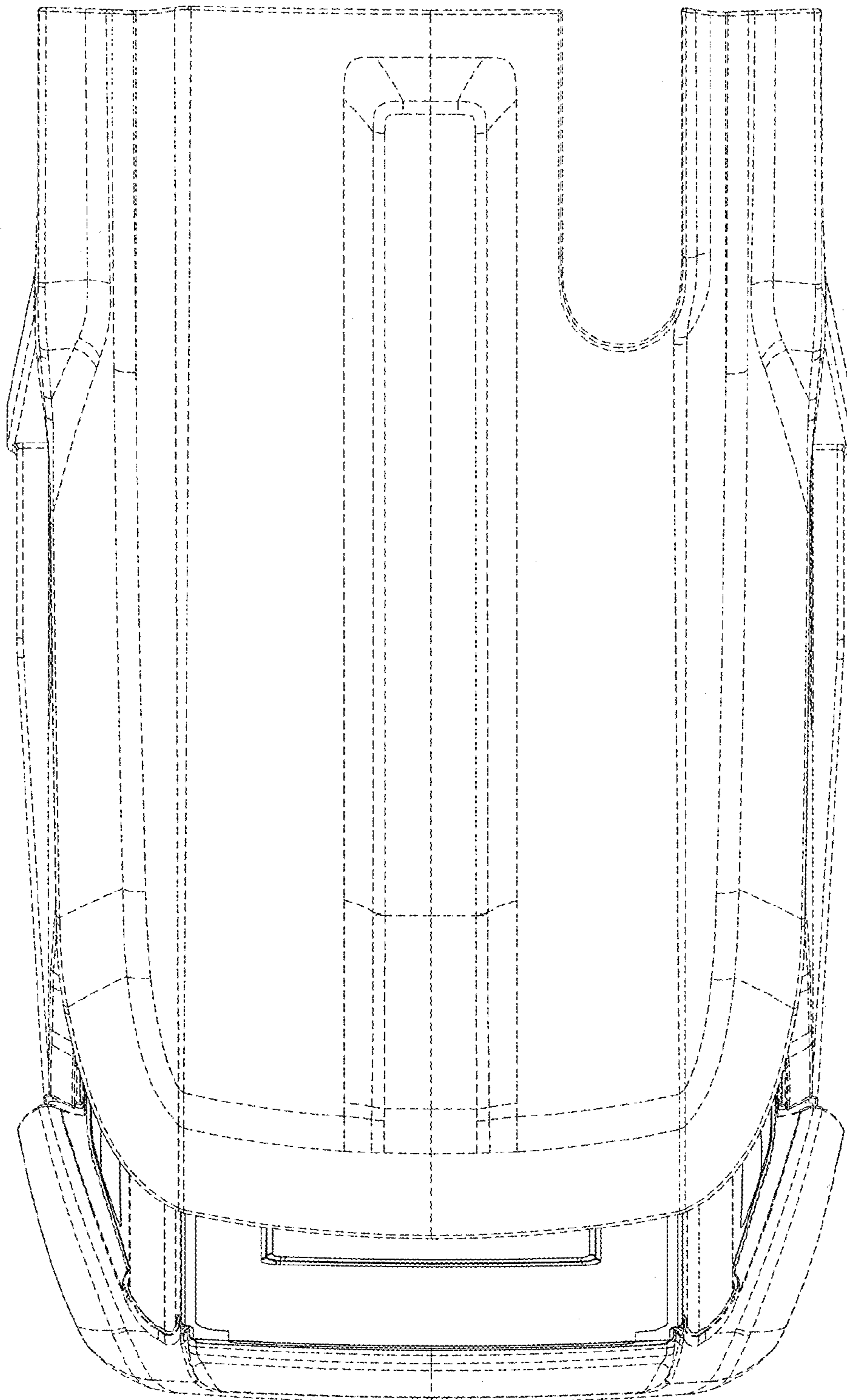


Fig. 7

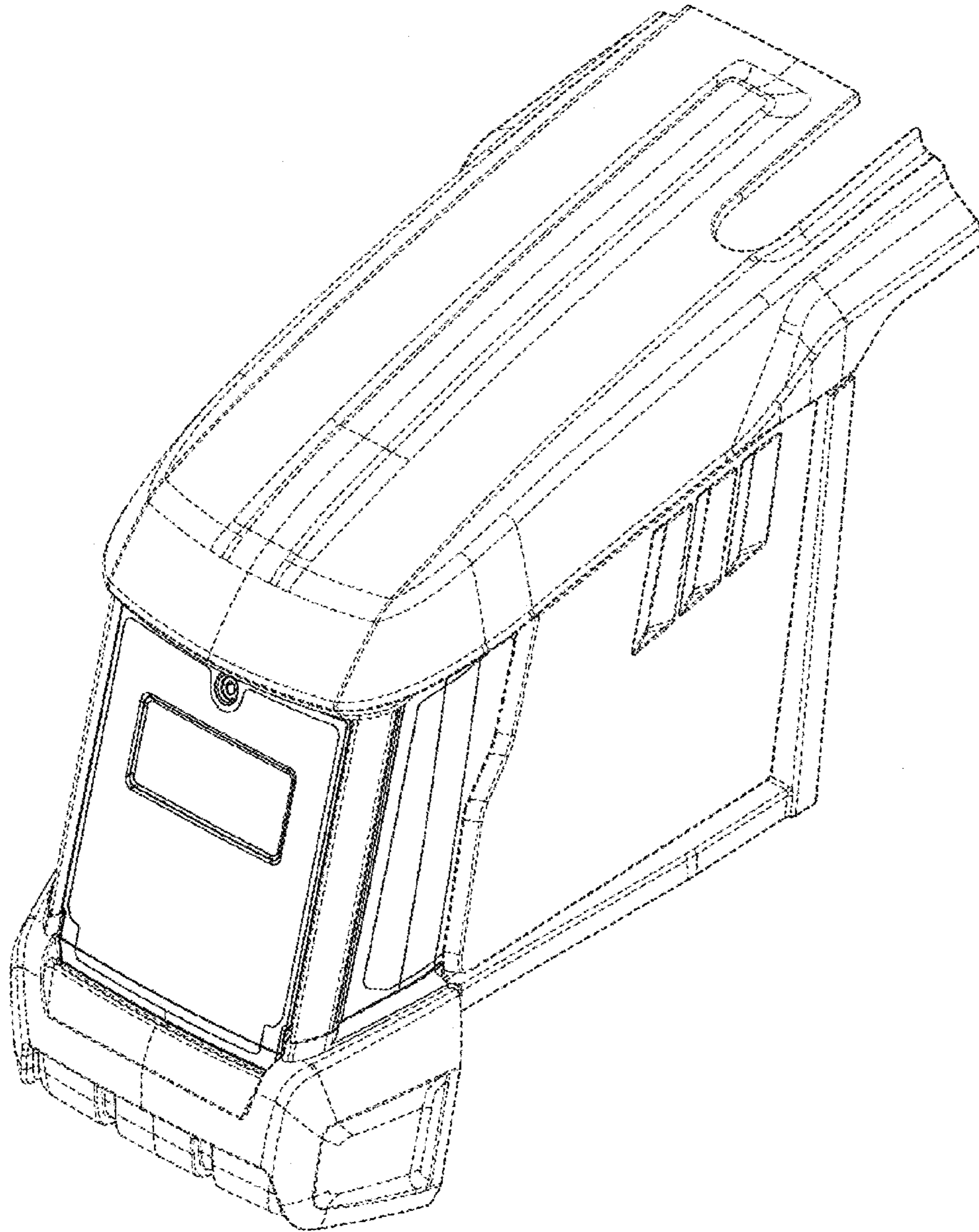


Fig. 8