



US00D772308S

(12) **United States Design Patent**
Harms et al.

(10) **Patent No.:** **US D772,308 S**

(45) **Date of Patent:** **** Nov. 22, 2016**

- (54) **ENGINE HOUSING**
- (71) Applicant: **Clark Equipment Company**, West Fargo, ND (US)
- (72) Inventors: **Jeremy A. Harms**, Bismarck, ND (US); **James M. Breuer**, Mandan, ND (US); **Michael D. Wetzel**, Bismarck, ND (US); **Shawn M. Bauer**, Bismarck, ND (US); **Jinhup Yeu**, Yongin (KR)
- (73) Assignee: **Clark Equipment Company**, West Fargo, ND (US)
- (**) Term: **15 Years**

- (21) Appl. No.: **29/539,085**
- (22) Filed: **Sep. 10, 2015**
- (51) **LOC (10) Cl.** **15-03**
- (52) **U.S. Cl.**
USPC **D15/28**
- (58) **Field of Classification Search**
USPC D15/10-33; 180/89.1, 89.12, 235, 900;
296/193.03, 193.08; 172/611, 776;
414/694, 699, 722-724, 680, 660
CPC E02D 19/18; E02D 17/13; E02D 5/18;
E02F 3/086; E02F 3/144; E02F 3/306;
E02F 3/307; B60P 3/40
See application file for complete search history.

(56) **References Cited**
U.S. PATENT DOCUMENTS

D450,067 S *	11/2001	Murakami	D15/25
D450,331 S *	11/2001	Murakami	D15/25
D487,575 S *	3/2004	Wetzel	D15/33
D508,498 S *	8/2005	Shimokakiuchi	D15/24
D509,514 S *	9/2005	Shimokakiuchi	D15/24
D575,804 S *	8/2008	Murakami	D15/28
D576,182 S *	9/2008	Murakami	D15/28
D582,946 S *	12/2008	Ochi	D15/28

D587,285 S *	2/2009	Murakami	D15/28
D590,845 S *	4/2009	Ochi	D15/22
D591,773 S *	5/2009	Ueta	D15/22
D593,137 S *	5/2009	Ueta	D15/28
D594,884 S *	6/2009	Murakami	D15/28
D655,320 S *	3/2012	Hiraoka	D15/28
D684,598 S *	6/2013	Hagura	D15/24
D684,599 S *	6/2013	Saito	D15/24
D684,600 S *	6/2013	Saito	D15/24
D684,605 S *	6/2013	Hagura	D15/28
D684,606 S *	6/2013	Hagura	D15/28
D687,865 S *	8/2013	Hatanaka	D15/24
D693,857 S *	11/2013	Hiraoka	D15/28
D695,791 S *	12/2013	Hagura	D15/25
8,733,824 B2 *	5/2014	Kanamaru	E02F 9/0833 180/89.12
D707,261 S *	6/2014	Caboret	D15/24

(Continued)

Primary Examiner — Mark Goodwin

(74) *Attorney, Agent, or Firm* — Michael Best & Friedrich LLP

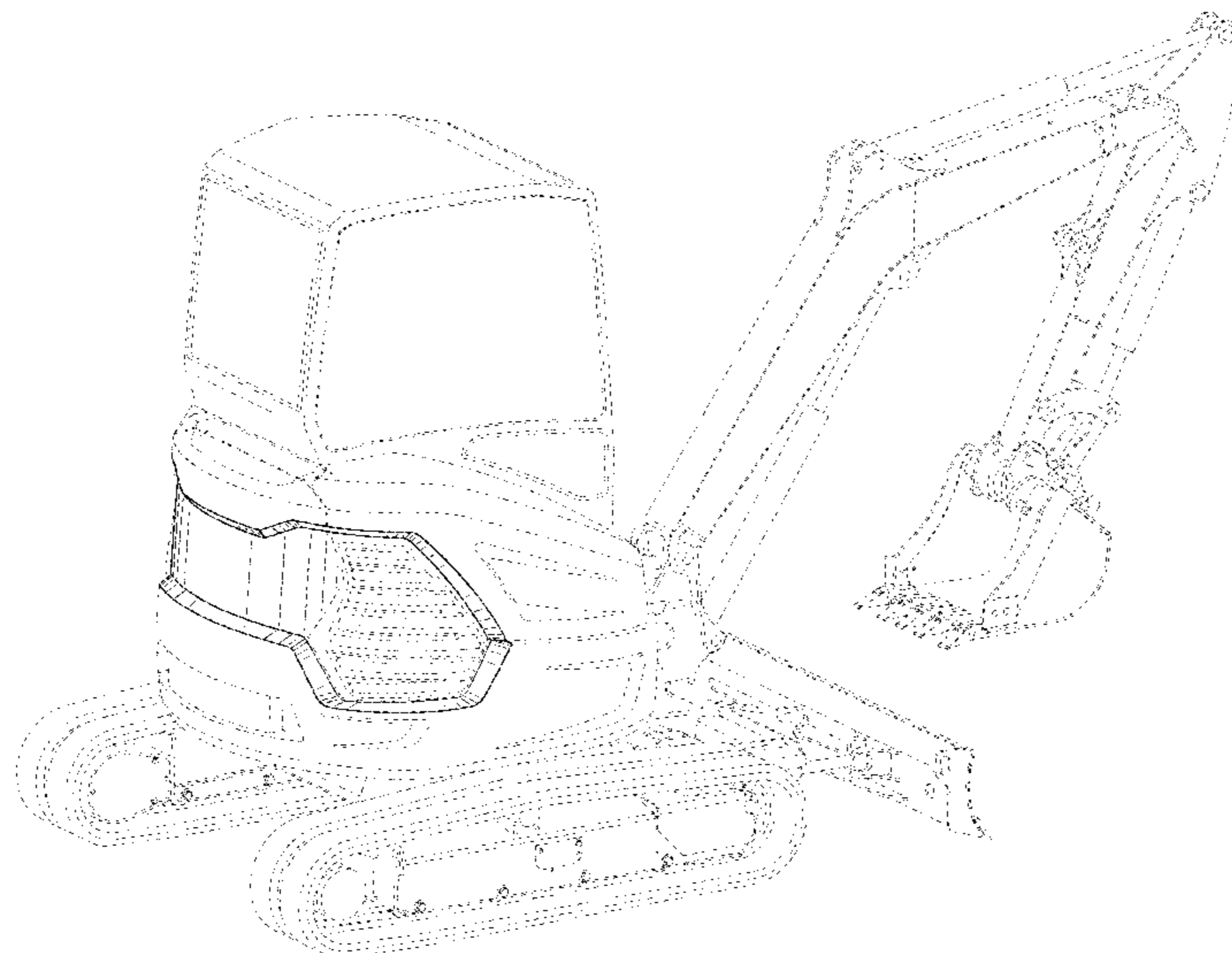
(57) **CLAIM**

We claim the ornamental design for an engine housing, as shown and described.

DESCRIPTION

FIG. 1 is a perspective view of an engine housing embodying aspects of the invention.
 FIG. 2 is a right side view of the engine housing.
 FIG. 3 is a left side view of the engine housing.
 FIG. 4 is a front view of the engine housing with environment removed for the purpose of illustration.
 FIG. 5 is a rear view of the engine housing; and,
 FIG. 6 is a top view of the engine housing.
 The broken lines immediately adjacent the shaded areas represent the bounds of the claimed design while all other broken lines are directed to environment and are for illustrative purposes only; the broken lines form no part of the claimed design. The bottom view is not visible during ordinary use.

1 Claim, 6 Drawing Sheets



US D772,308 S

Page 2

(56)

References Cited

U.S. PATENT DOCUMENTS

D716,845 S * 11/2014 Hayami D15/24
D717,346 S * 11/2014 Ishii D15/28

D735,771 S * 8/2015 Imashige D15/28
D737,865 S * 9/2015 Imashige D15/28
D750,673 S * 3/2016 Imashige D15/28
D752,653 S * 3/2016 Lee D15/28

* cited by examiner

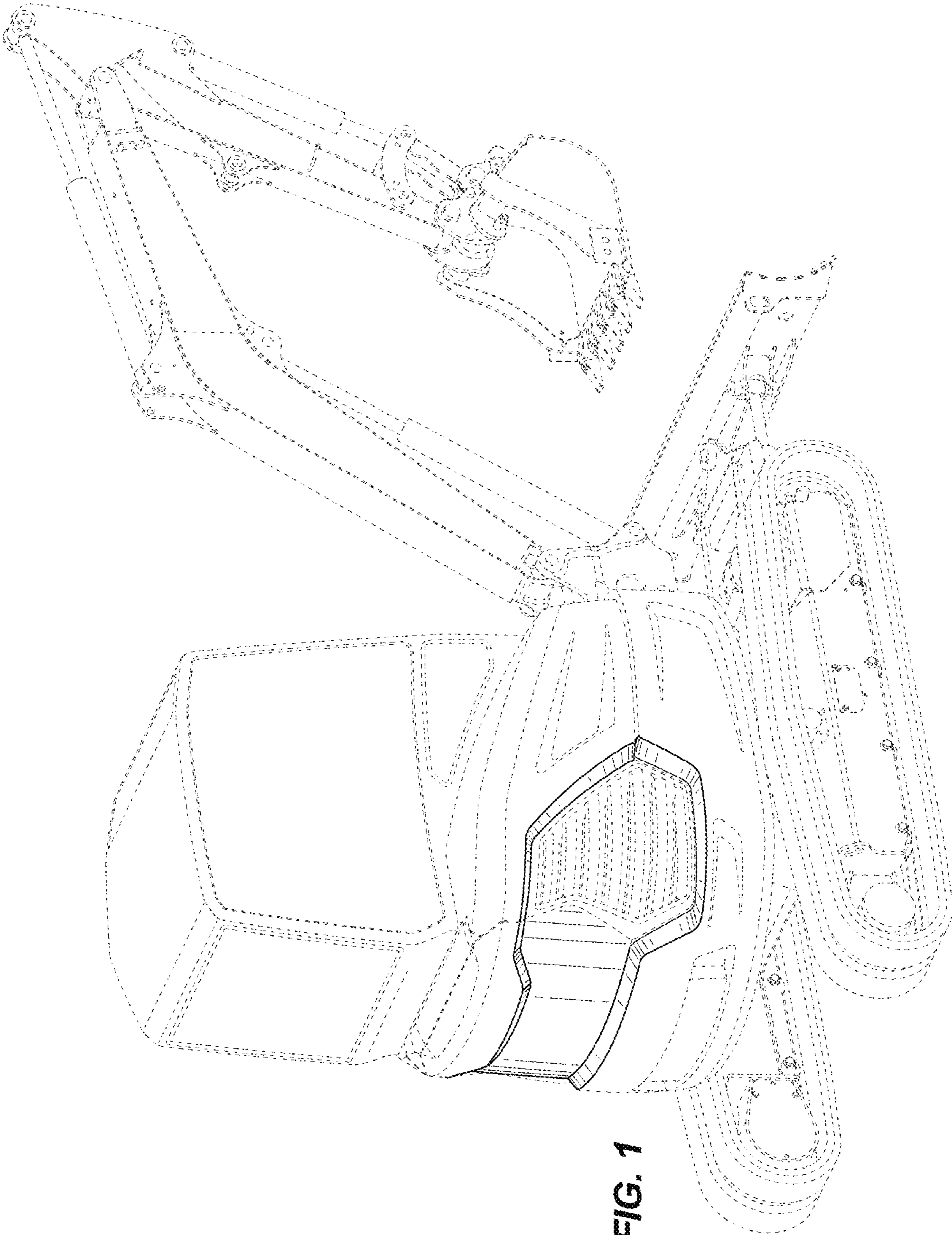


FIG. 1

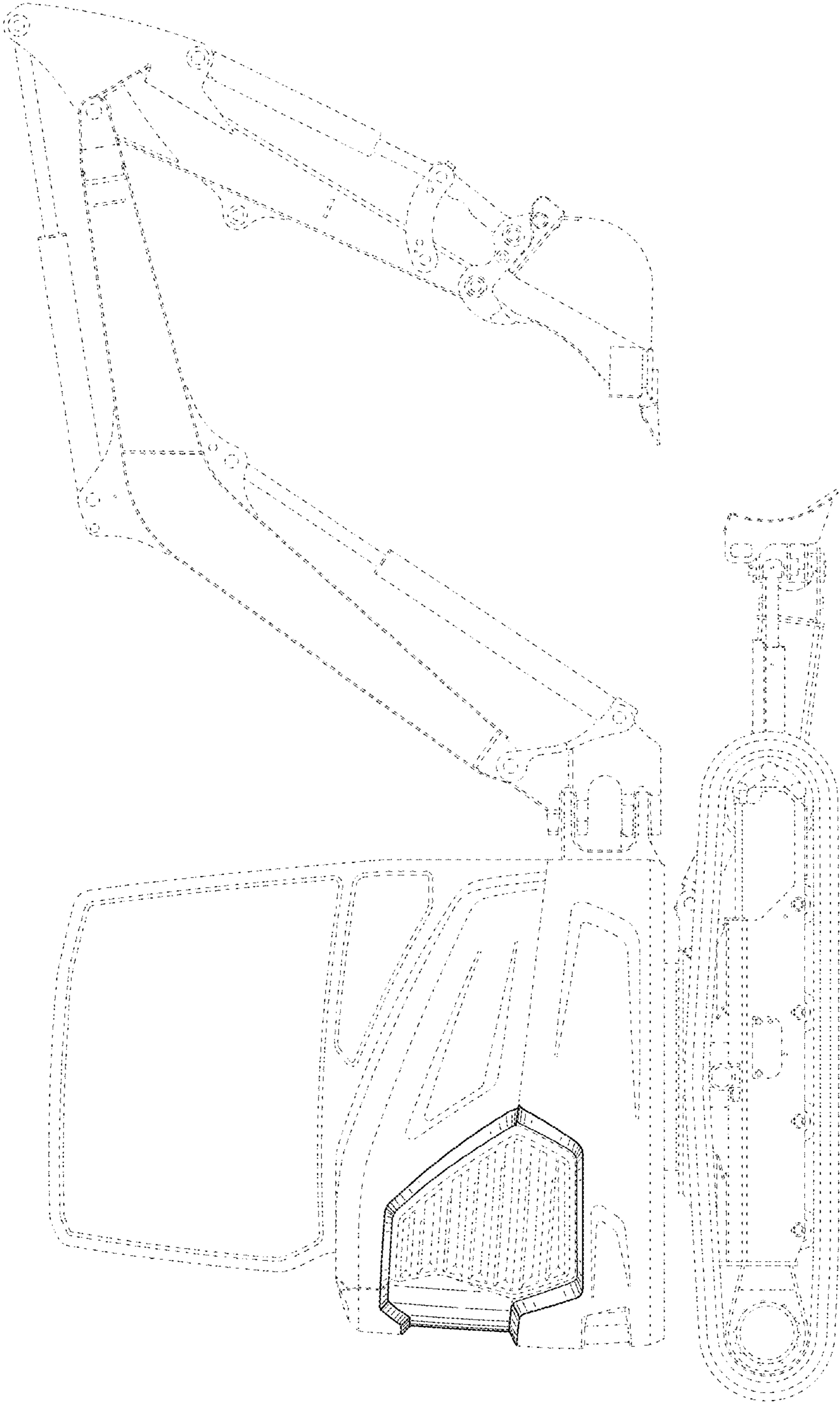


FIG. 2

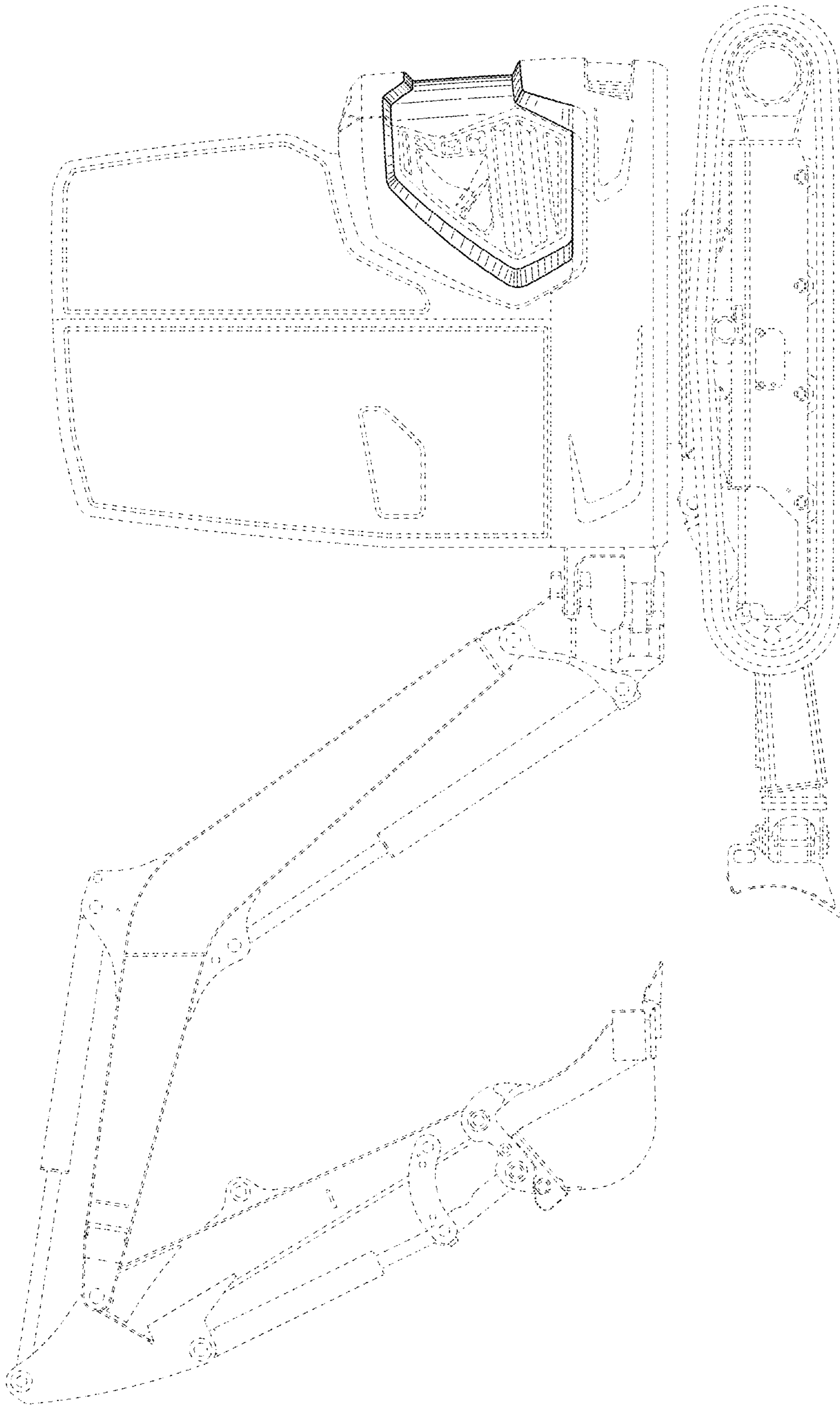


FIG. 3

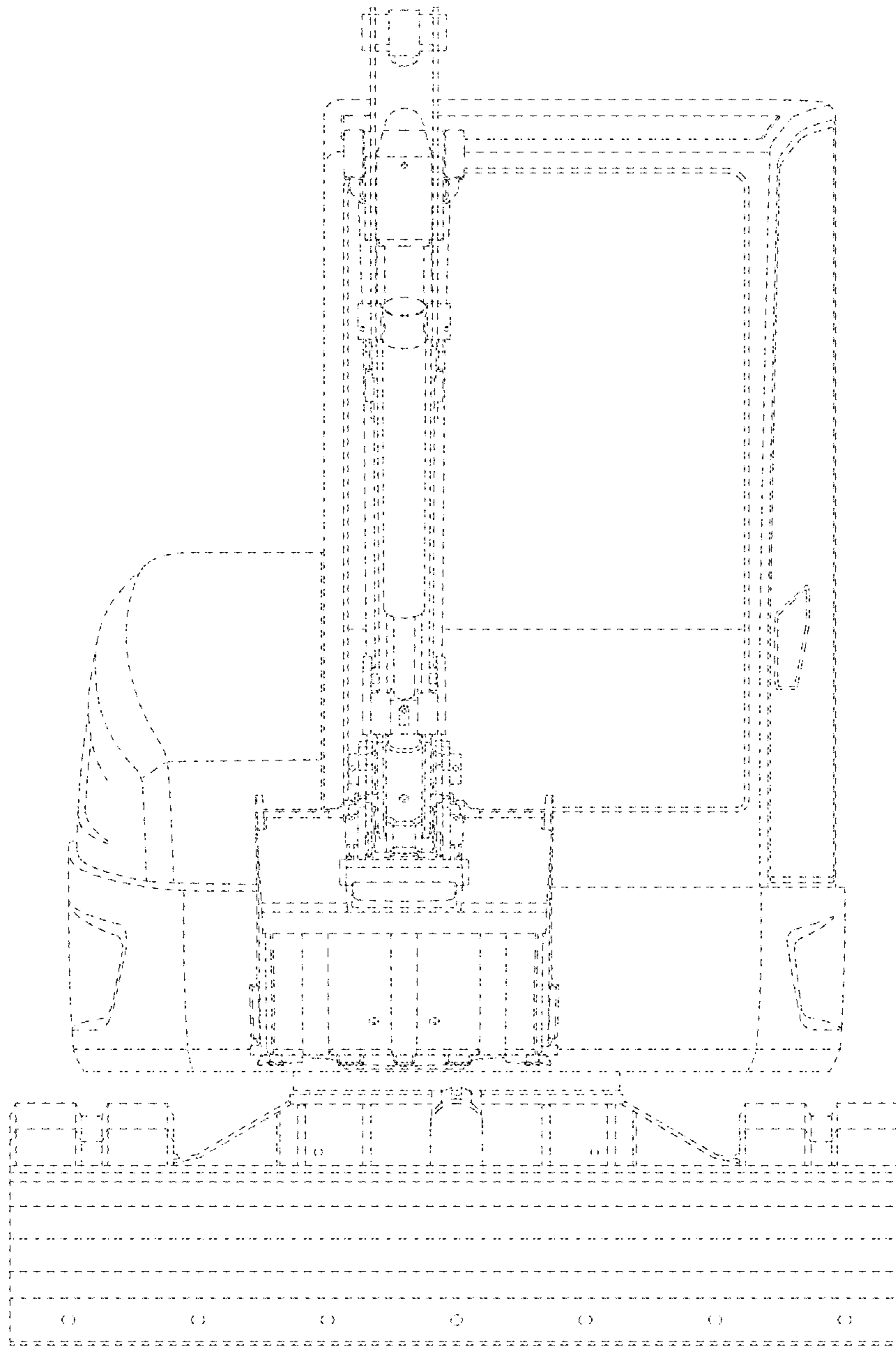


FIG. 4

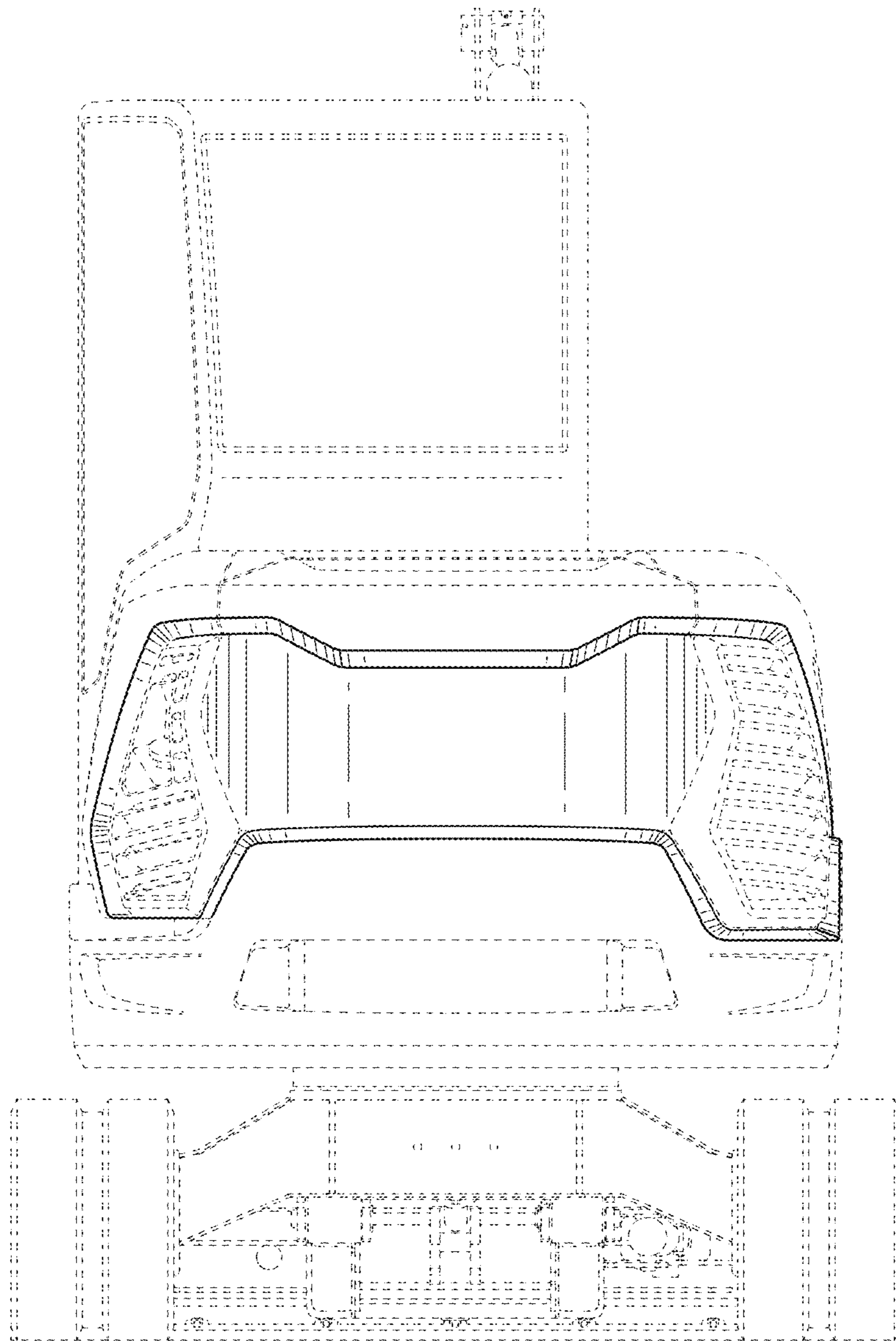


FIG. 5

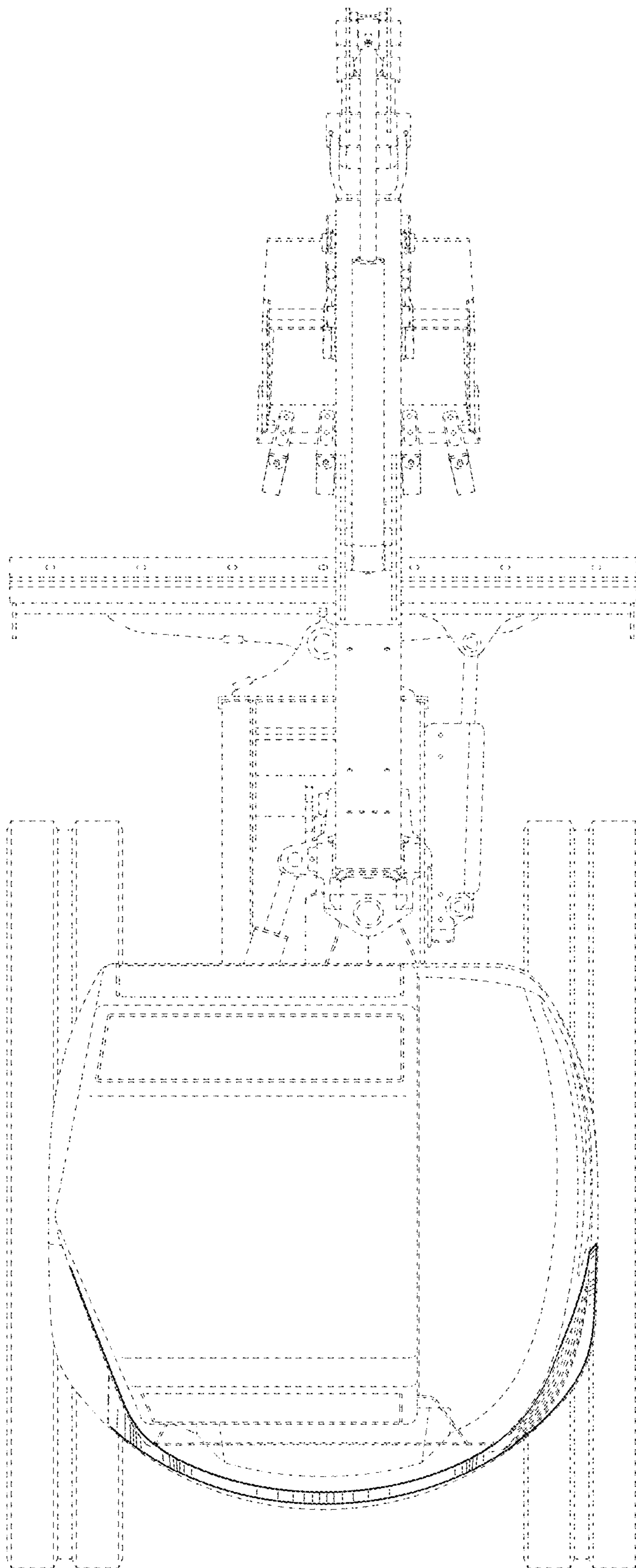


FIG. 6