



US00D772306S

(12) **United States Design Patent** (10) **Patent No.:** **US D772,306 S**
Datema et al. (45) **Date of Patent:** **** Nov. 22, 2016**

(54) **MIXING DRUM**

(71) Applicant: **Oshkosh Corporation**, Oshkosh, WI (US)

(72) Inventors: **Bryan S. Datema**, Rochester, MN (US); **Thomas J. Harris**, Oshkosh, WI (US); **Joel Urch**, Oshkosh, WI (US)

(73) Assignee: **Oshkosh Corporation**, Oshkosh, WI (US)

(**) Term: **15 Years**

(21) Appl. No.: **29/534,822**

(22) Filed: **Jul. 31, 2015**

Related U.S. Application Data

(63) Continuation of application No. 29/477,768, filed on Dec. 26, 2013, now Pat. No. Des. 737,866.

(51) **LOC (10) Cl.** **15-03**

(52) **U.S. Cl.**
USPC **D15/28**

(58) **Field of Classification Search**
USPC D15/10-33; 366/40, 61, 136, 341, 18, 366/26, 44, 54, 53, 60, 110; 220/636, 669, 220/563, 23.87; 193/16, 22
CPC ... B28C 5/4268; B28C 5/2054; B28C 5/141; B28C 5/1862; B28C 5/1887; E01C 2019/1095; E01C 2019/1086; E01C 19/1027; B01F 7/04; B01F 2215/0047
See application file for complete search history.

(56) **References Cited**

U.S. PATENT DOCUMENTS

2,492,249 A 12/1949 Willard et al.
2,618,472 A 11/1952 Castendyck

(Continued)

Primary Examiner — Mark Goodwin

(74) *Attorney, Agent, or Firm* — Foley & Lardner LLP

(57) **CLAIM**

We claim the ornamental design for a mixing drum, as shown and described.

DESCRIPTION

FIG. 1 is a front perspective view of a mixing drum showing our new design;

FIG. 2 is a front view of the embodiment of FIG. 1;

FIG. 3 is a rear view of the embodiment of FIG. 1;

FIG. 4 is a left side view of the embodiment of FIG. 1;

FIG. 5 is a right side view of the embodiment of FIG. 1;

FIG. 6 is a top view of the embodiment of FIG. 1;

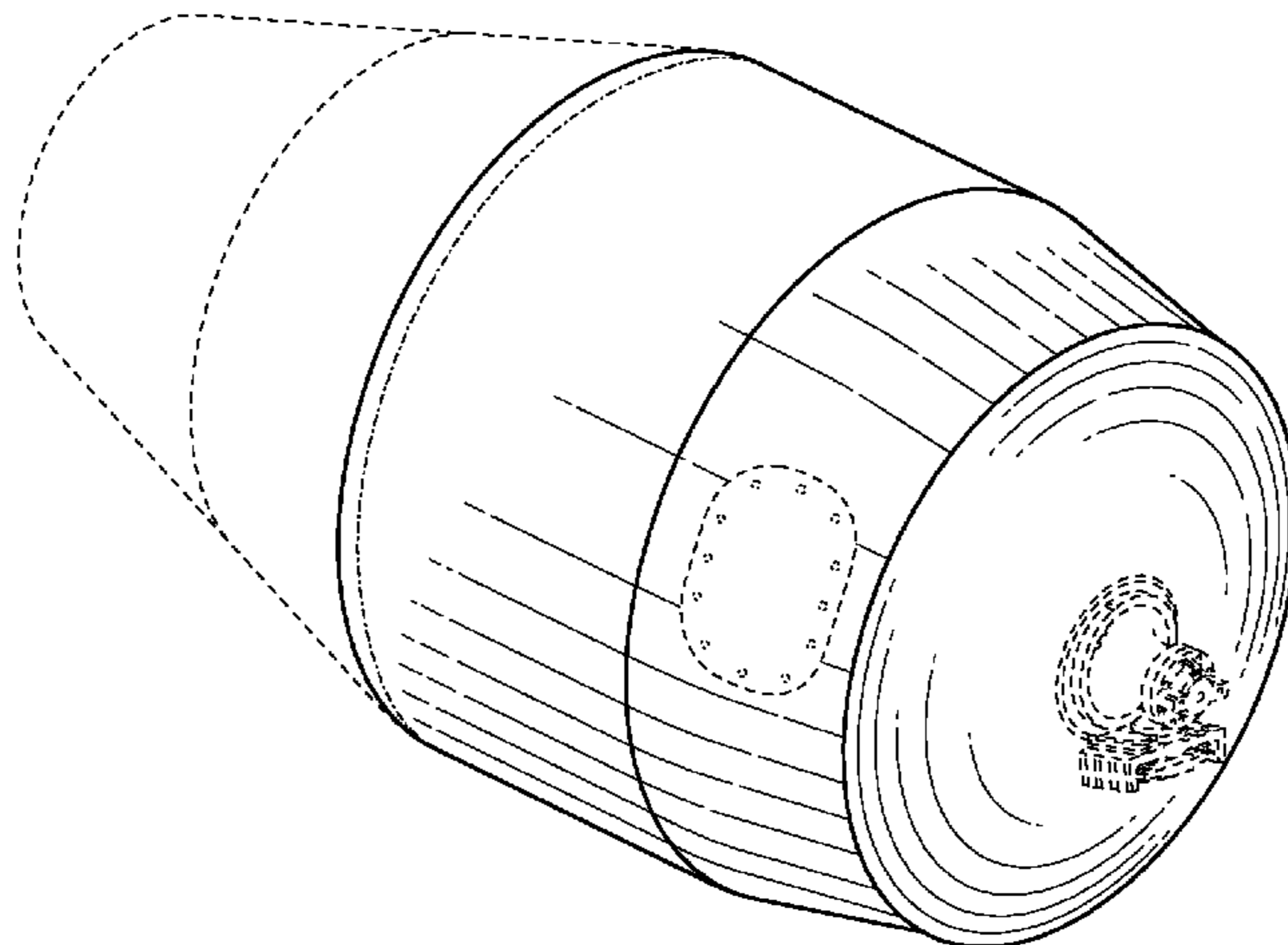
FIG. 7 is a bottom view of the embodiment of FIG. 1; and,

FIG. 8 is a side sectional view of the embodiment of FIG. 1 taken along line 8-8.

The ornamental design which is claimed is shown in solid lines in the figures. Broken lines are for illustrative purposes only and form no part of the claimed design. Broken lines formed by equal length dashes show unclaimed portions of the design. Broken lines formed of unequal length dashes (i.e. dash-dot) show boundaries between claimed and unclaimed portions of the design. Broken lines having a jagged element show that no particular length of the portion is claimed.

While the accompanying drawings illustrate one or more exemplary embodiments, it should be understood that, according to other exemplary embodiments that should be considered to be within the possession of the inventors of the present application at the time this application is being filed, it is contemplated that any illustrated solid lines (or portions thereof) may be converted to broken lines and that any illustrated broken lines (or portions thereof) may be converted to solid lines so as to claim or disclaim portions, components, or sub-components of the designs shown. It is further contemplated that shading may be added or removed to claim or disclaim the corresponding surfaces.

1 Claim, 5 Drawing Sheets



(56)

References Cited

U.S. PATENT DOCUMENTS

2,705,621 A	4/1955	Mackinney et al.	7,850,364 B2	12/2010	Harris et al.
2,723,112 A	11/1955	Smith	7,896,538 B2	3/2011	Wright
2,865,616 A	12/1958	Masek	7,931,397 B2	4/2011	Datema
2,961,225 A	11/1960	Graybill	8,083,394 B2	12/2011	Fischer et al.
3,073,580 A	1/1963	Lendved	8,152,216 B2	4/2012	Howell
3,861,657 A	1/1975	Sims	8,613,543 B2	12/2013	Datema
3,912,239 A	10/1975	Ries	8,646,965 B2	2/2014	Datema
3,944,190 A	3/1976	Dunmire	D737,866 S *	9/2015	Datema D15/28
4,212,542 A	7/1980	Beekenkamp	2005/0213422 A1	9/2005	Silbernagel
4,544,275 A	10/1985	Hudelmaier	2007/0064518 A1	3/2007	Goff et al.
5,209,003 A	5/1993	Maxfield et al.	2007/0159915 A1	7/2007	Daly et al.
5,697,741 A	12/1997	Harris et al.	2007/0217281 A1	9/2007	McAnally et al.
6,264,361 B1	7/2001	Kelley	2008/0205188 A1	8/2008	Lindblom et al.
6,578,694 B2	6/2003	Harris et al.	2008/0225632 A1	9/2008	Khoury
6,957,908 B1	10/2005	O'Connell et al.	2008/0259716 A1	10/2008	Khoury
6,966,687 B1	11/2005	Elefsrud	2010/0051062 A1	3/2010	Fischer et al.
7,489,098 B2	2/2009	Harris et al.	2014/0010035 A1 *	1/2014	Takahashi B28C 5/4217 366/61
7,578,379 B2	8/2009	Gillmore et al.	2014/0269146 A1	9/2014	Harris et al.
7,648,015 B2	1/2010	Gillmore et al.	2015/0159564 A1	6/2015	Wildgrube et al.
7,683,564 B2	3/2010	Harris et al.	2015/0174788 A1 *	6/2015	Pirri B28C 5/421 366/60

* cited by examiner

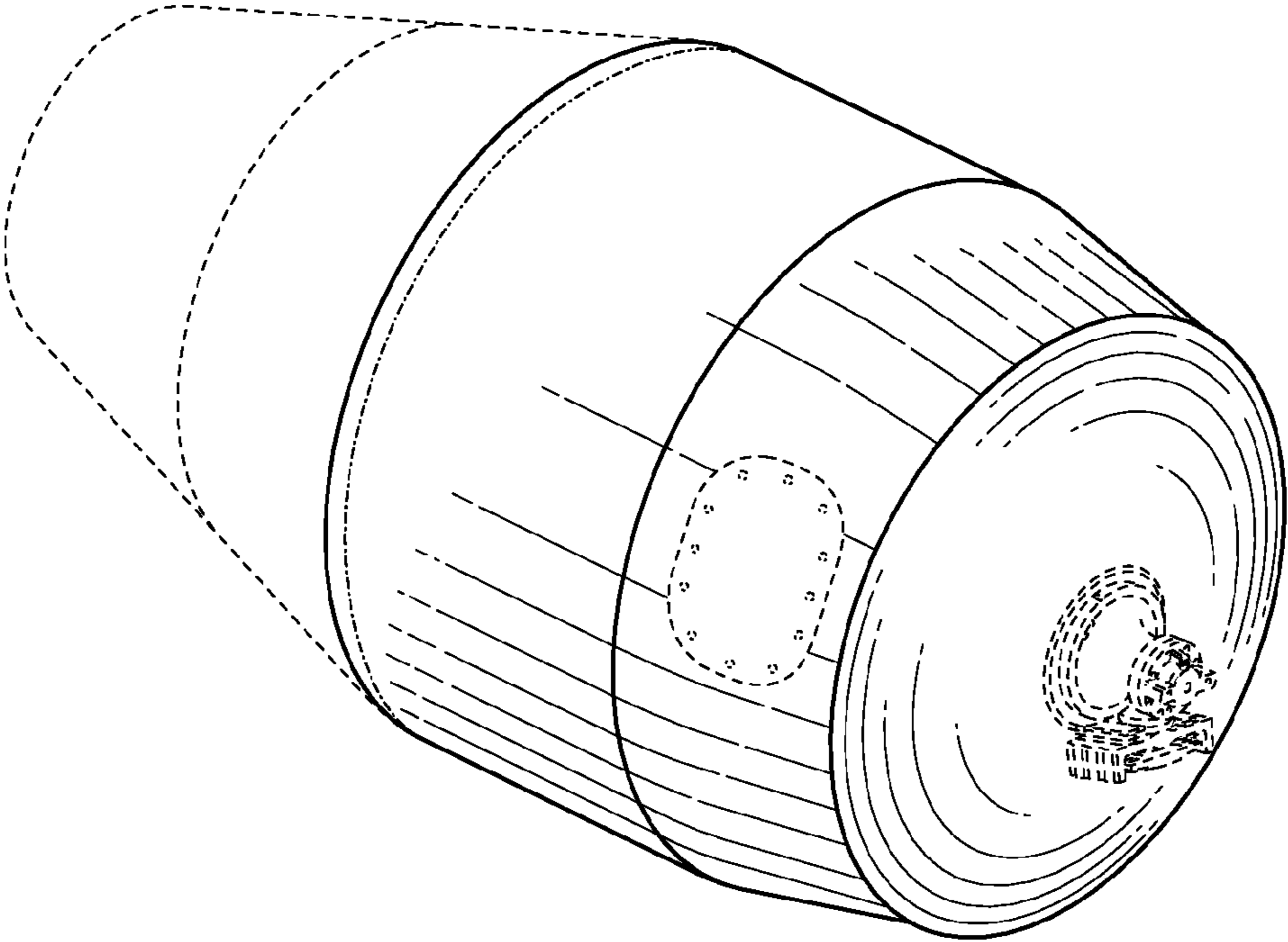


FIG. 1

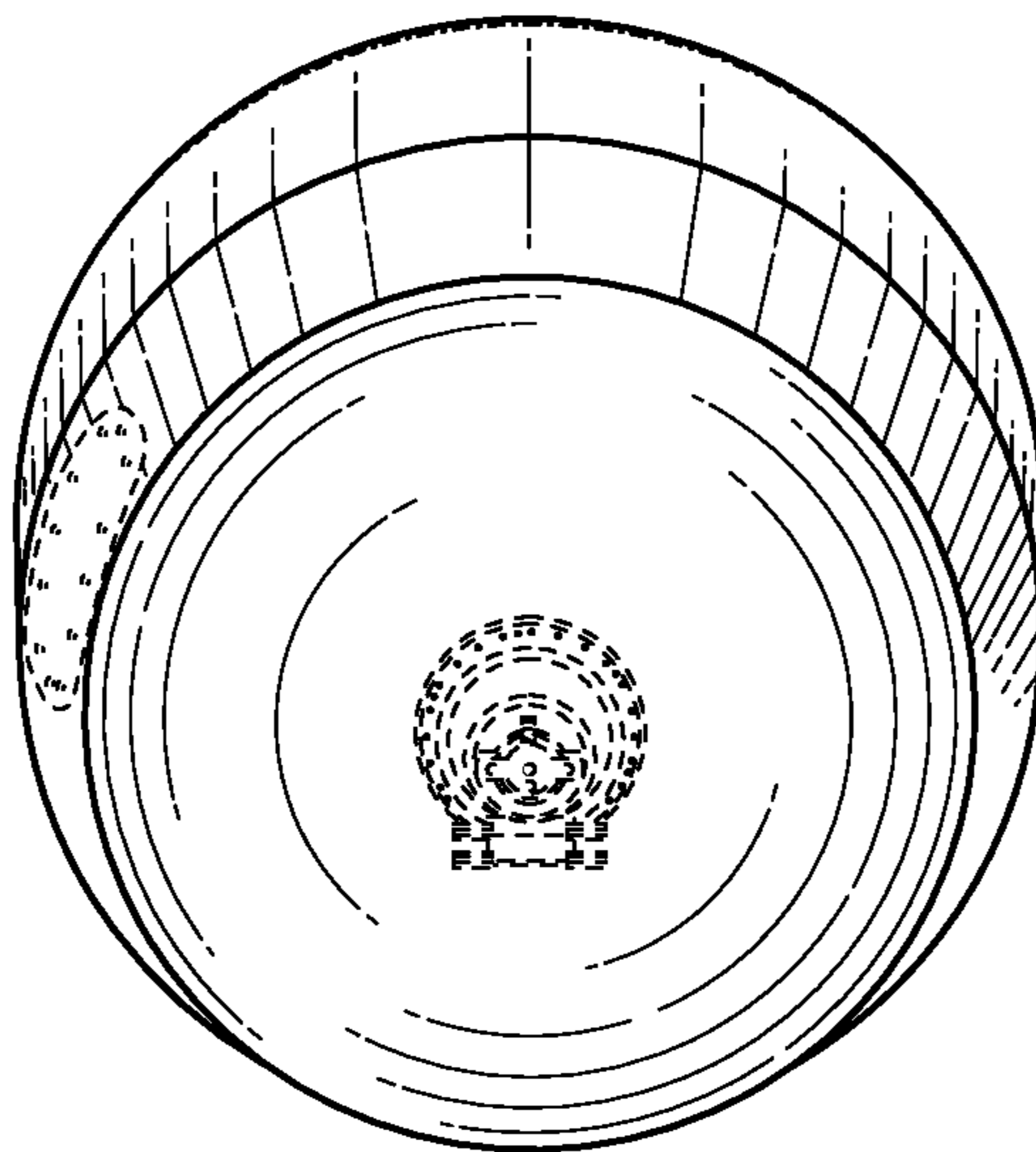


FIG. 2

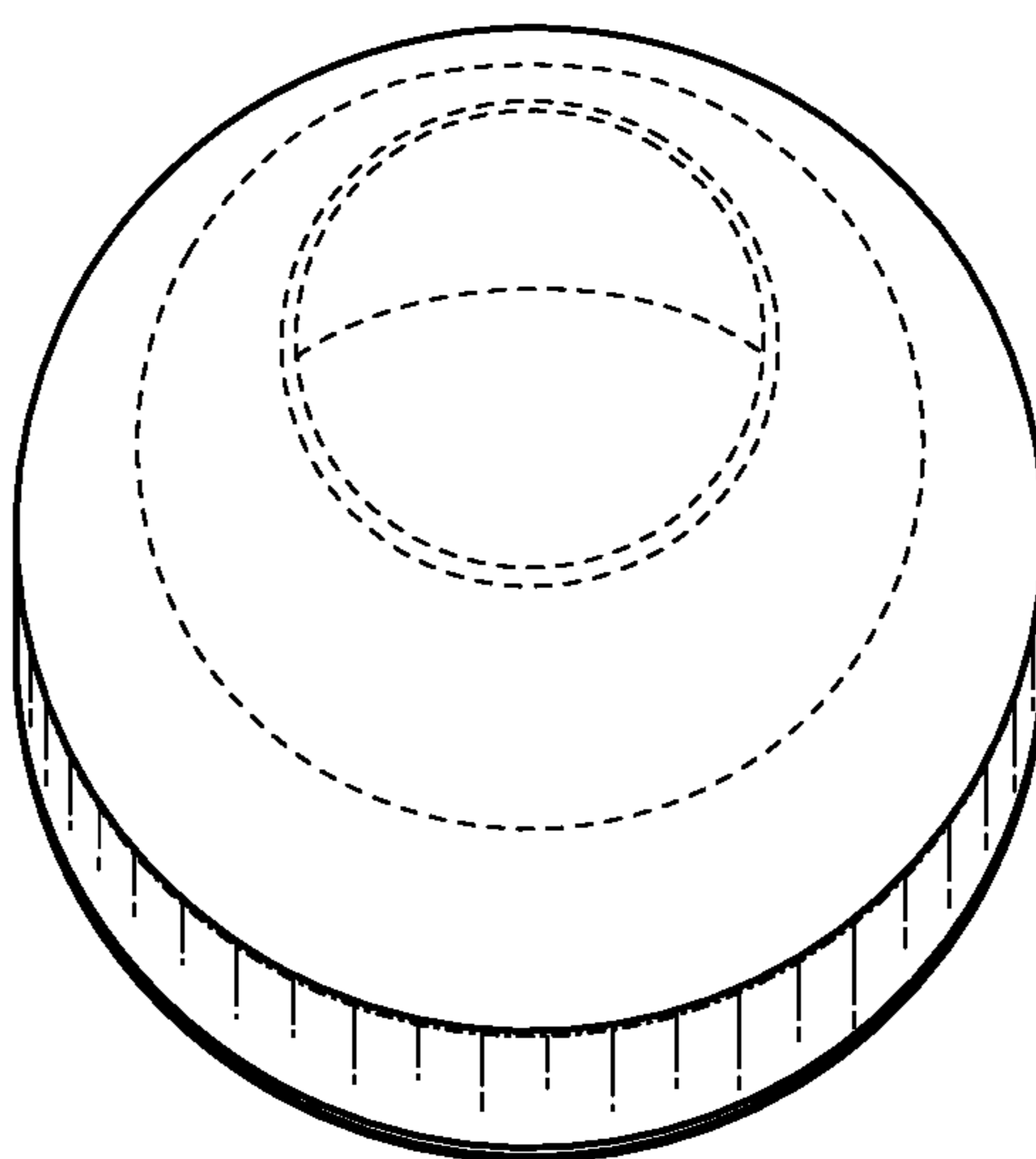


FIG. 3

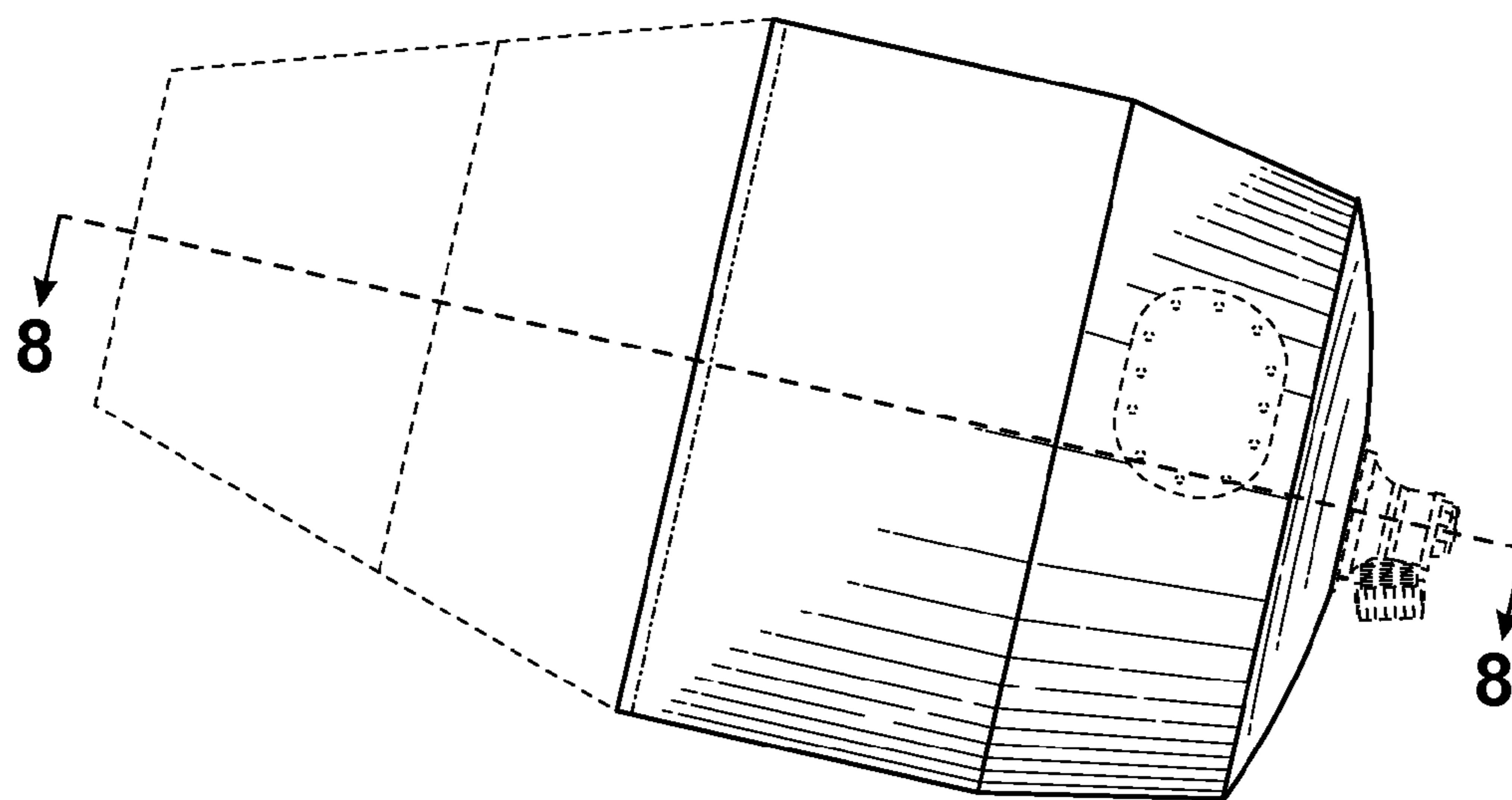


FIG. 4

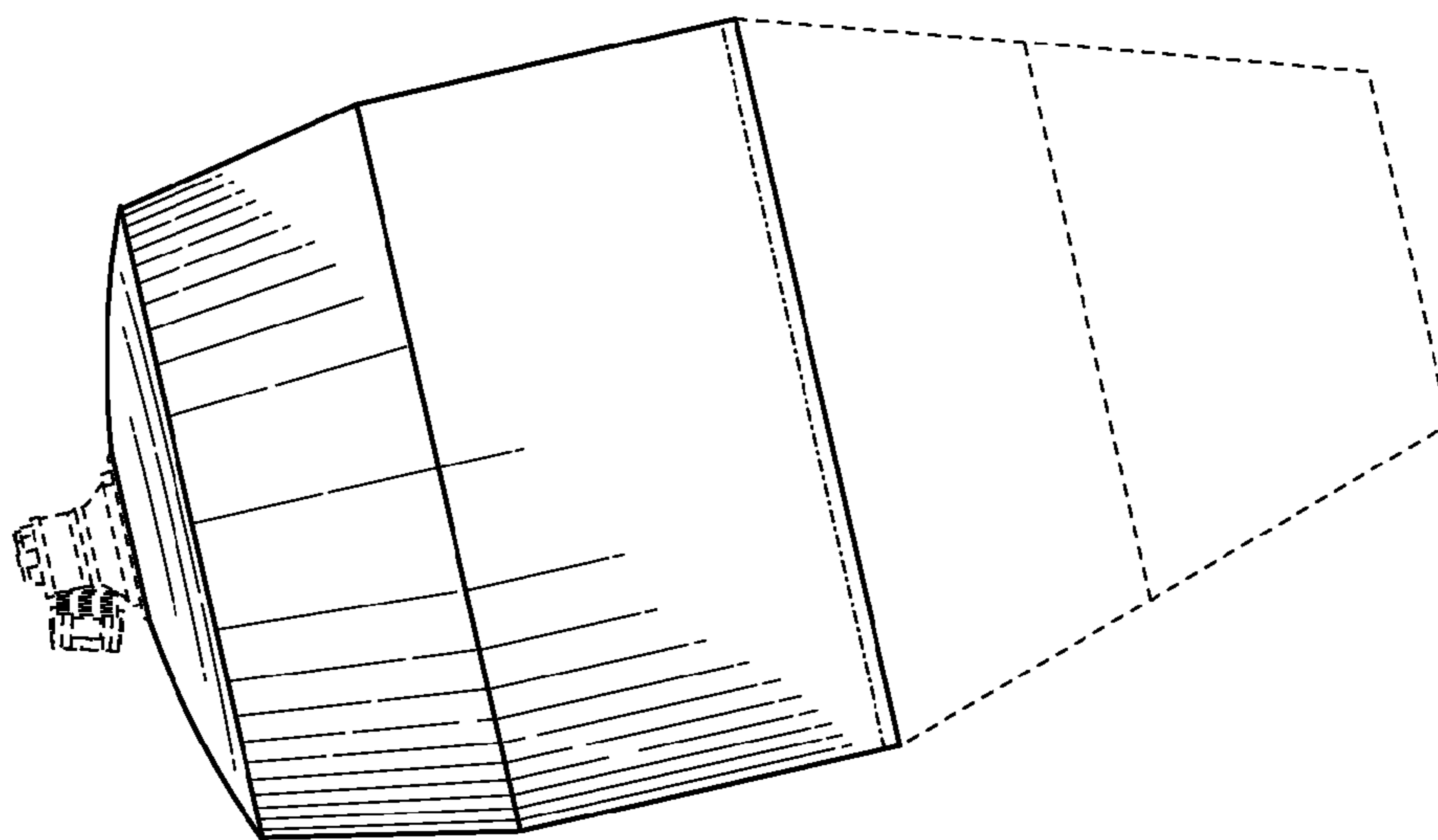


FIG. 5

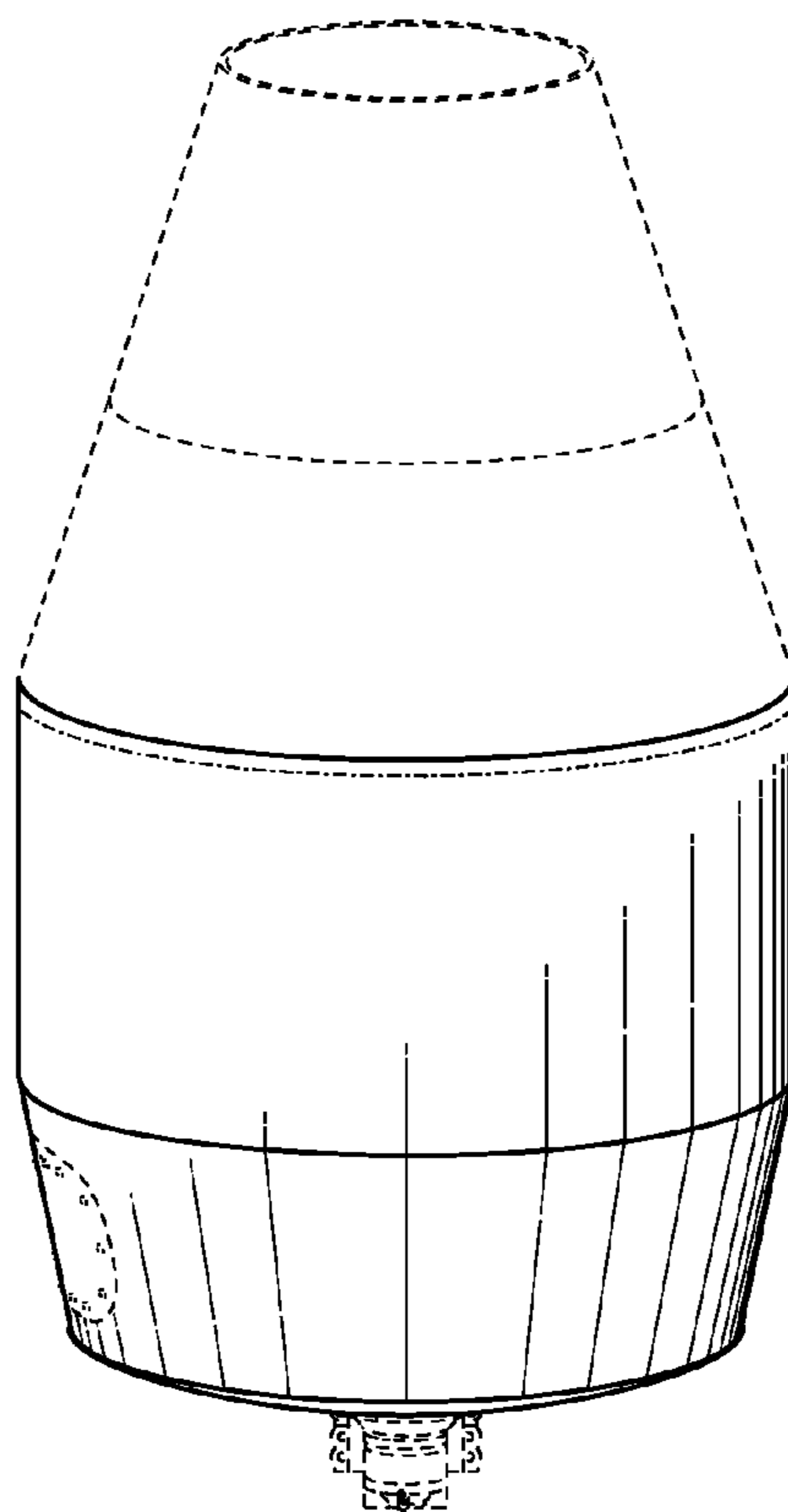


FIG. 6

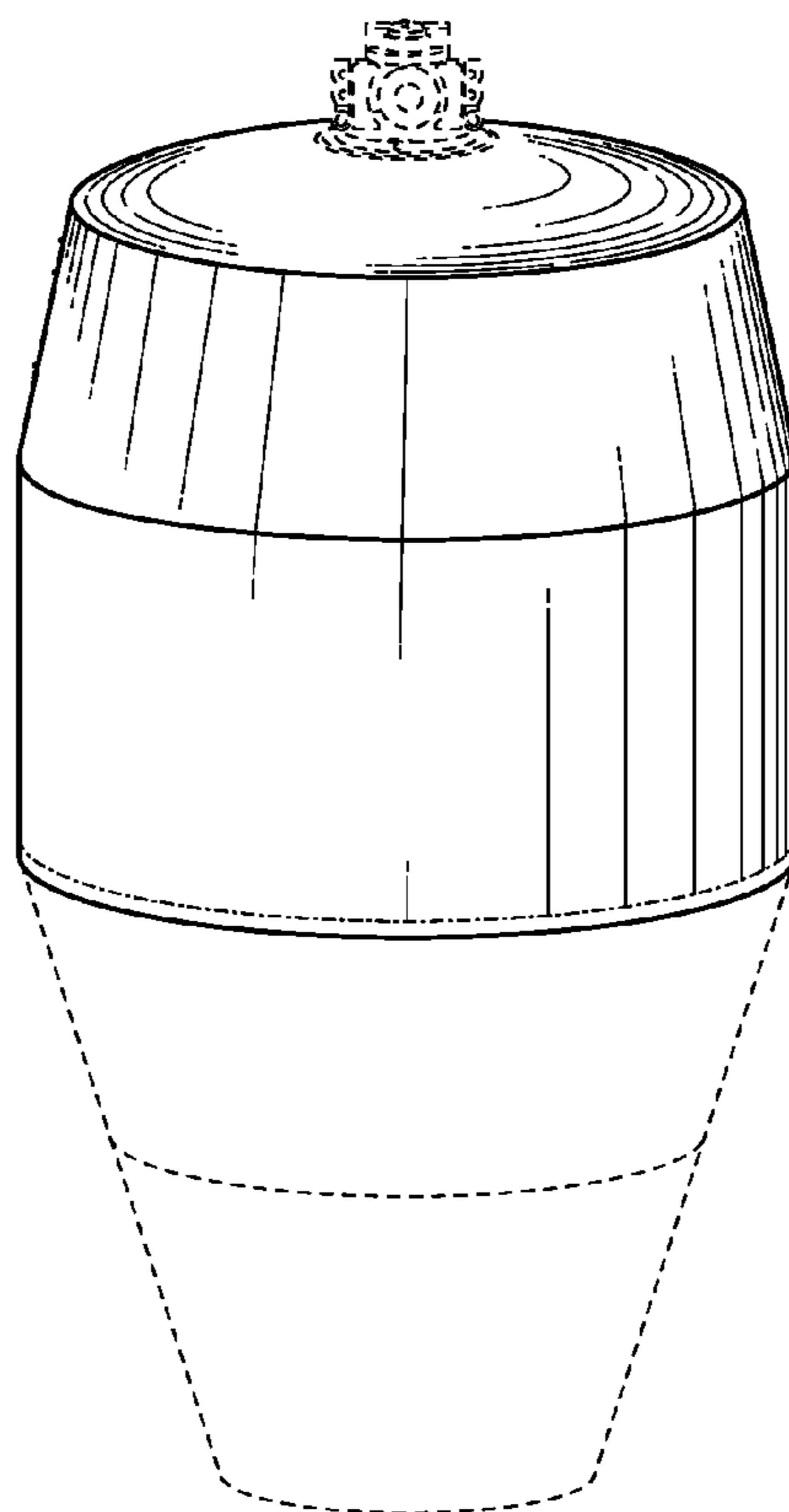


FIG. 7

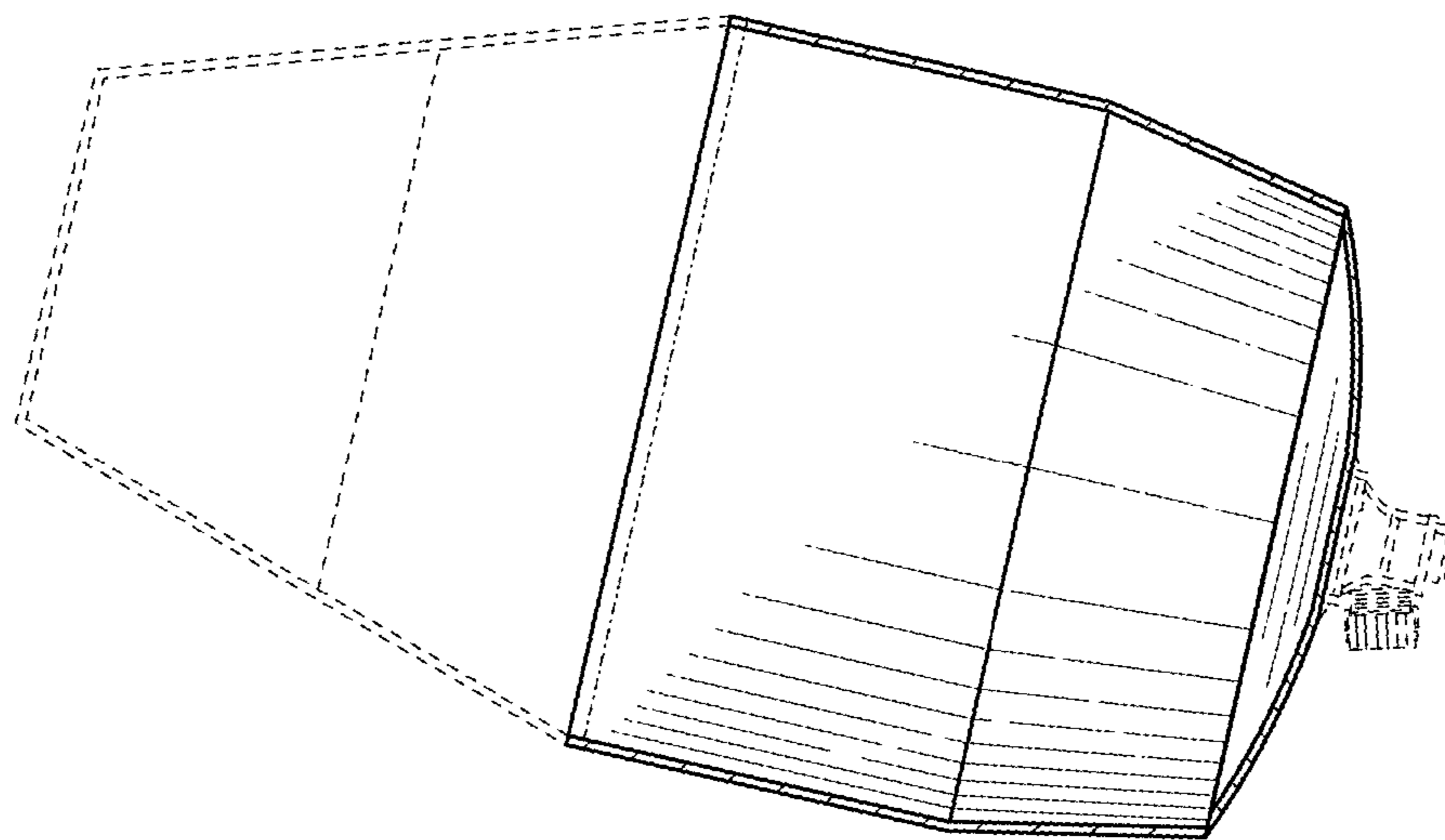


FIG. 8