



US00D772299S

(12) **United States Design Patent**
Okamoto et al.

(10) **Patent No.:** **US D772,299 S**

(45) **Date of Patent:** **** Nov. 22, 2016**

(54) **AUTOMOTIVE ENGINE COMPUTER UNIT COVER**

(71) Applicant: **DENSO CORPORATION**, Kariya, Aichi-pref. (JP)

(72) Inventors: **Akira Okamoto**, Nagoya (JP);
Masanori Tsunoo, Kasugai (JP)

(73) Assignee: **DENSO CORPORATION**, Kariya (JP)

(**) Term: **14 Years**

(21) Appl. No.: **29/510,993**

(22) Filed: **Dec. 5, 2014**

(30) **Foreign Application Priority Data**

Jun. 27, 2014 (JP) 2014-14167

(51) **LOC (10) Cl.** **15-01**

(52) **U.S. Cl.**
USPC **D15/5**

(58) **Field of Classification Search**

USPC D15/1-6; D24/224, 225, 226, 227, 228,
D24/229; D9/737, 424, 416, 425, 347, 761;
D7/553.1, 555; 361/752, 714, 730;
D13/184; 174/50, 521, 256, 533
CPC F02D 29/00; F02D 41/20; F02D 2400/18;
F02D 2400/21; F02D 2041/285; H01L
25/162; H05K 5/0091; H05K 5/0204; B60R
16/0239

See application file for complete search history.

(56) **References Cited**

U.S. PATENT DOCUMENTS

D297,797 S * 9/1988 Roberts D7/504
5,006,960 A * 4/1991 Kallin H05K 5/0247
174/135
D366,187 S * 1/1996 Van Den Kieboom D7/553.1
D430,015 S * 8/2000 Himbert D24/227
D457,425 S * 5/2002 Petola D9/761

6,409,021 B1 * 6/2002 Ramirez B65D 81/3816
206/564
6,723,922 B1 * 4/2004 Shotey H02G 3/14
174/66
7,092,639 B2 * 8/2006 Schultz H05K 9/0022
174/50
7,265,292 B2 * 9/2007 Greenfield H02G 3/14
174/50
D556,143 S * 11/2007 Ni D13/152
7,304,238 B1 * 12/2007 Shotey H02G 3/14
174/66
D563,727 S * 3/2008 Lovett D7/553.3
D573,105 S * 7/2008 Richey D13/156

(Continued)

OTHER PUBLICATIONS

U.S. Appl. No. 29/510,995, filed Dec. 5, 2014, Okamoto et al.

(Continued)

Primary Examiner — T. Chase Nelson

Assistant Examiner — Ania Aman

(74) *Attorney, Agent, or Firm* — Posz Law Group, PLC

(57) **CLAIM**

The ornamental design for an automotive engine computer unit cover, as shown and described.

DESCRIPTION

FIG. 1 is a front view of an automotive engine computer unit cover, showing our new design;

FIG. 2 is a rear view of the unit cover shown in FIG. 1;

FIG. 3 is a top plan view of the unit cover shown in FIG. 1;

FIG. 4 is a bottom plan view of the unit cover shown in FIG. 1;

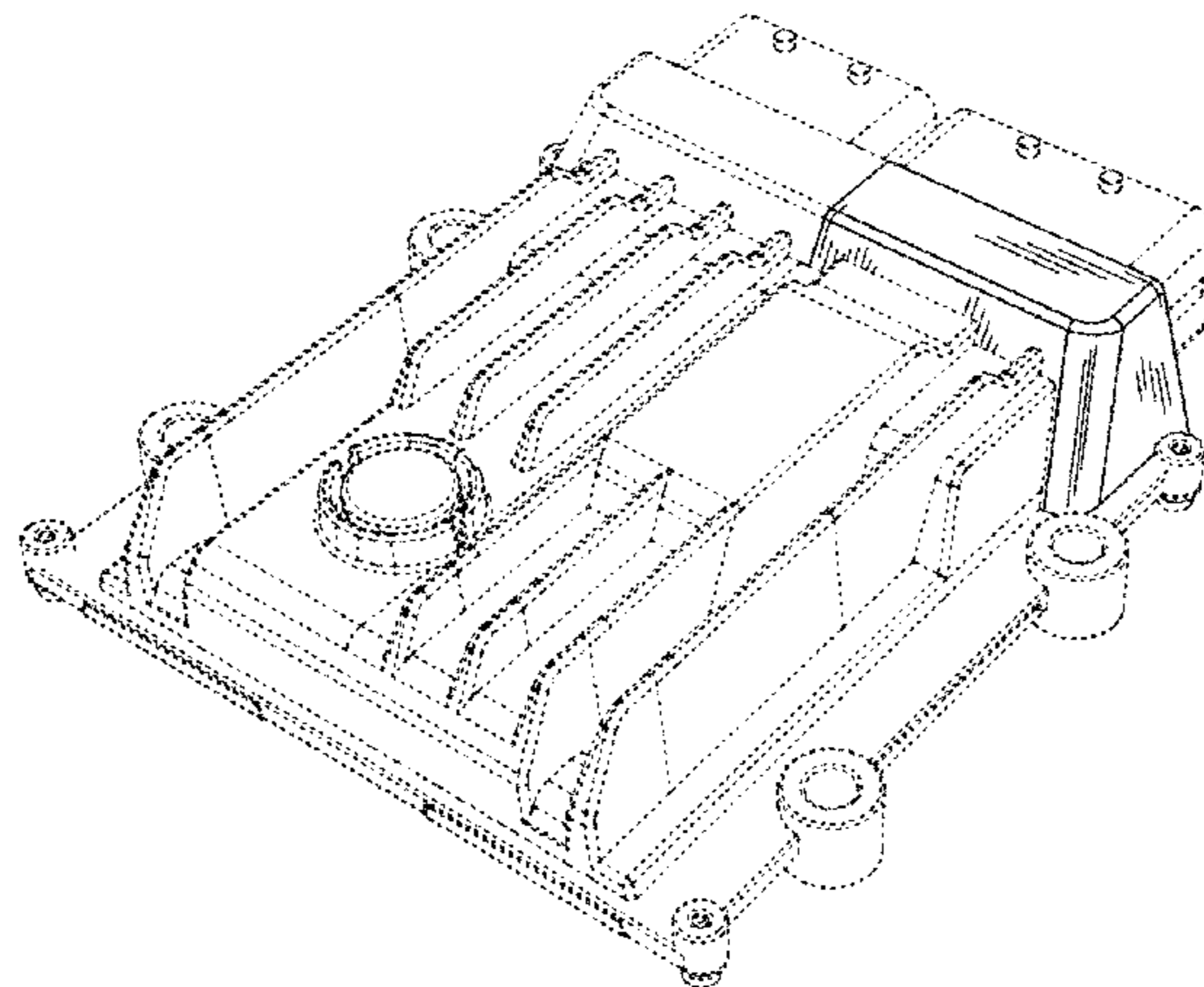
FIG. 5 is a left side view of the unit cover shown in FIG. 1;

FIG. 6 is a right side view of the unit cover shown in FIG. 1; and,

FIG. 7 is a perspective view of the unit cover shown in FIG. 1.

The article of the present design relates to an automotive engine computer unit cover. The parts shown by broken lines in the drawings form no part of the claimed design.

1 Claim, 3 Drawing Sheets



(56)

References Cited

U.S. PATENT DOCUMENTS

D580,789 S * 11/2008 Larson D9/425
7,480,149 B2 * 1/2009 DeWard B60R 11/04
340/438
D602,139 S * 10/2009 Elvin-Jensen D23/318
D641,616 S * 7/2011 Prevost D9/420
D642,904 S * 8/2011 Turvey D9/424
D664,425 S * 7/2012 Krupa D9/420

D677,221 S * 3/2013 McSweyn D13/108
8,531,278 B2 * 9/2013 DeWard B60R 11/04
340/425.5
D703,156 S * 4/2014 Parsons D13/164
D738,719 S * 9/2015 Breton D9/425

OTHER PUBLICATIONS

U.S. Appl. No. 29/510,996, filed Dec. 5, 2014, Okamoto et al.

* cited by examiner

FIG. 1

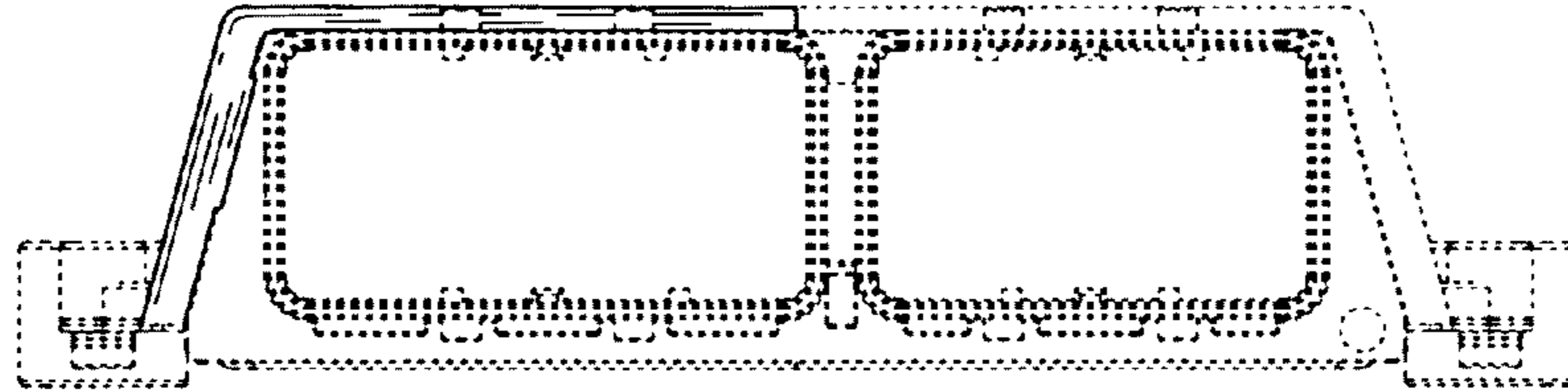


FIG. 2

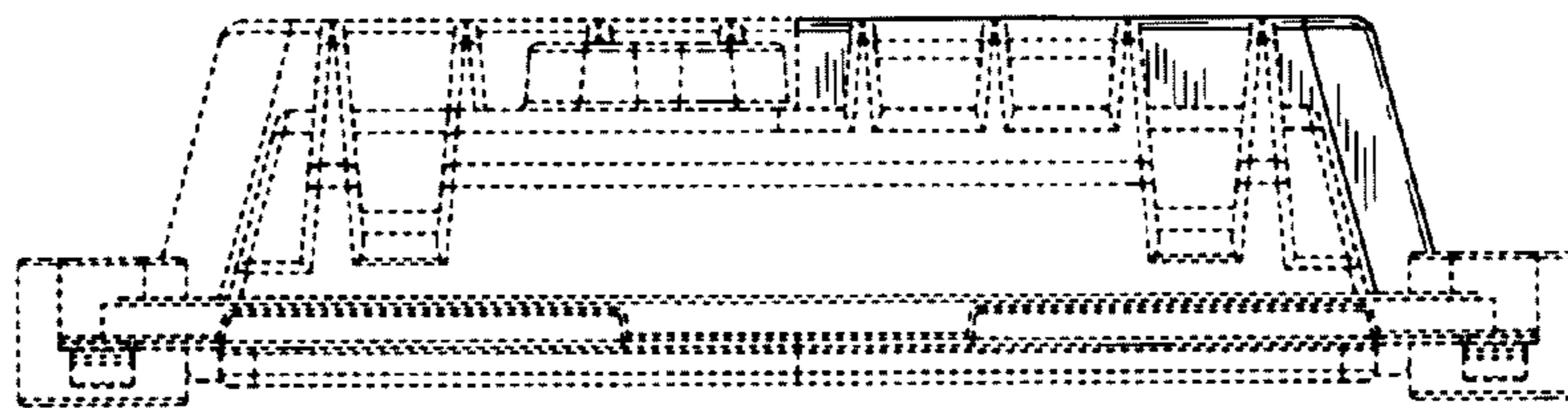


FIG. 3

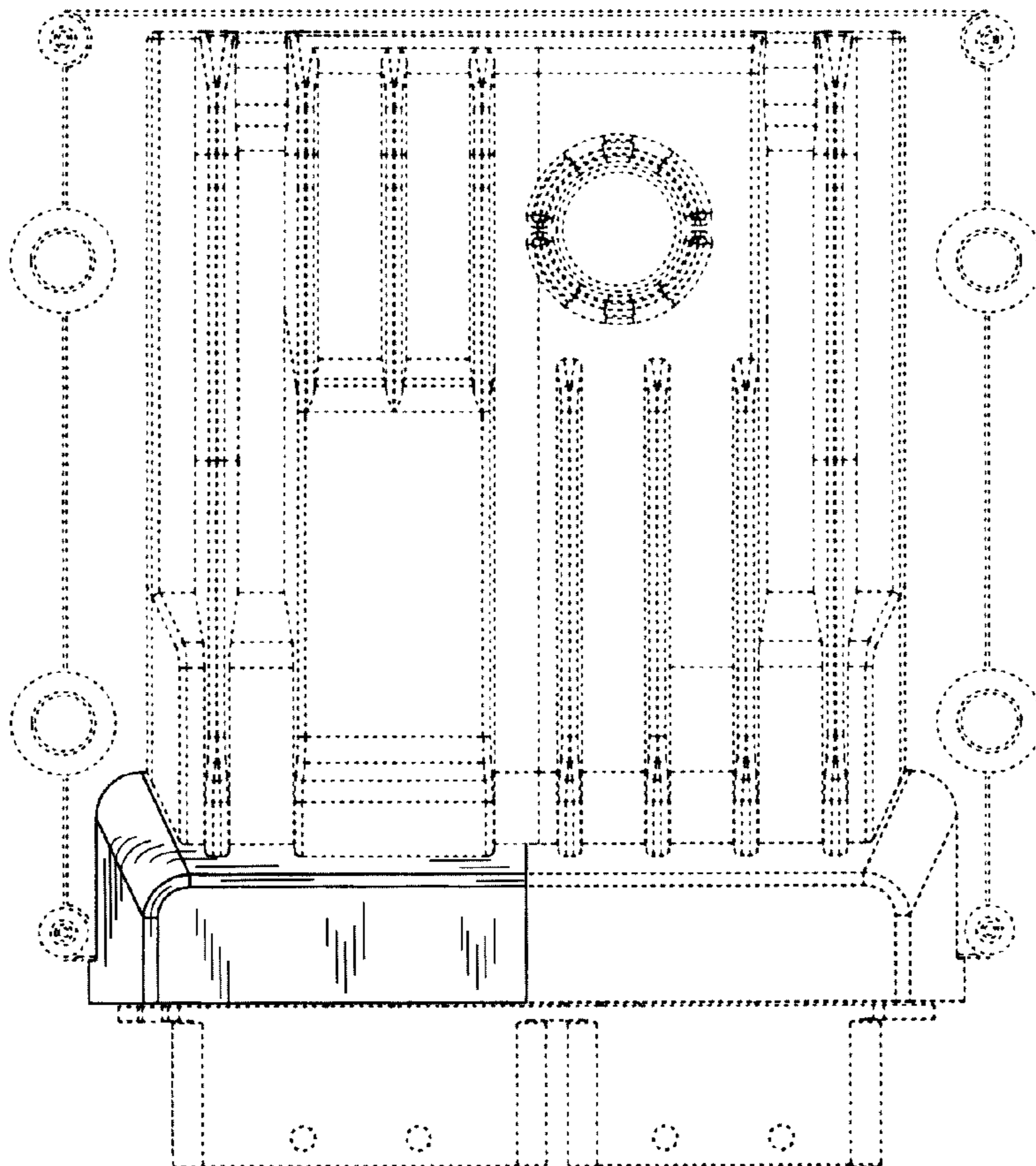


FIG. 4

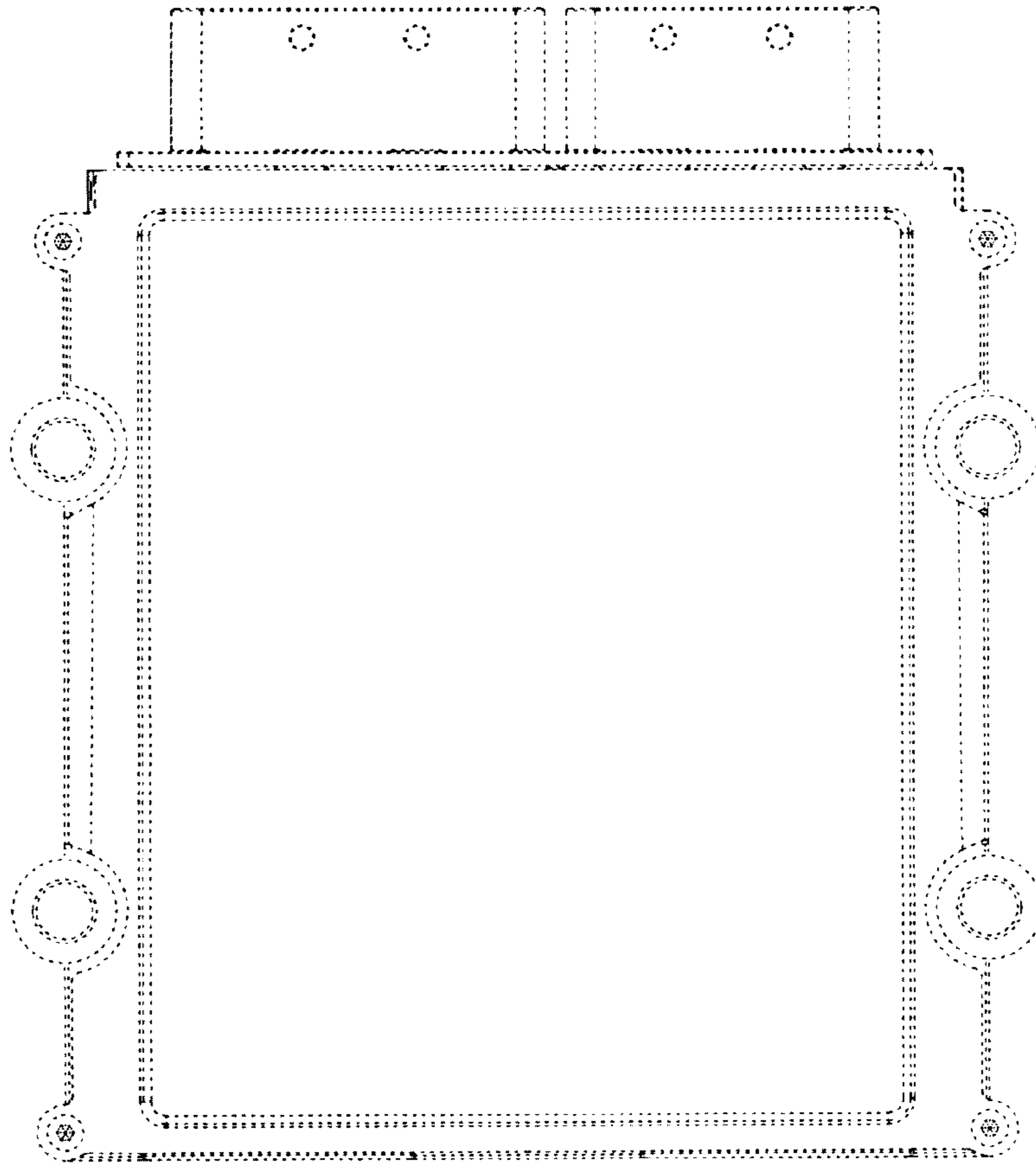


FIG. 5

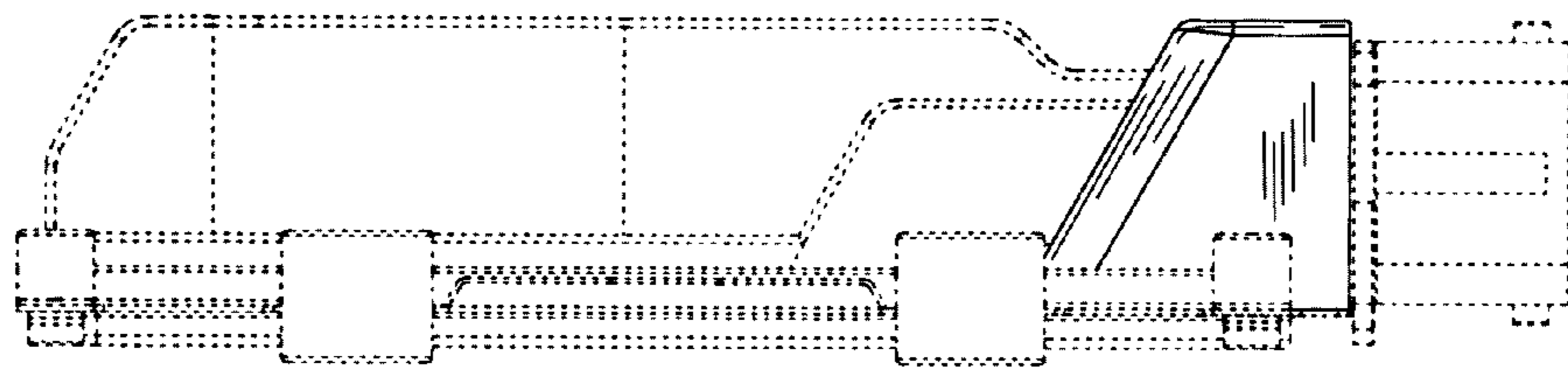


FIG. 6

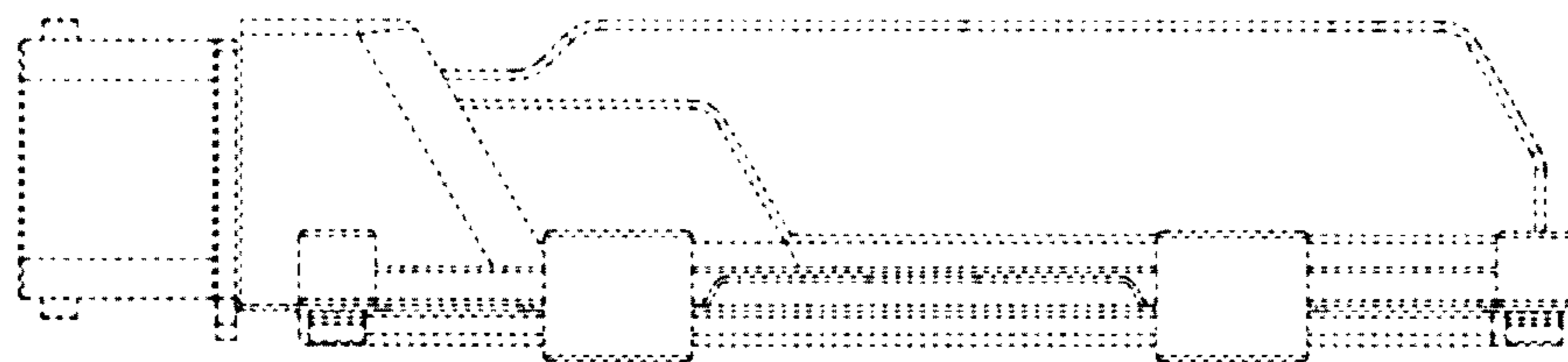


FIG. 7

