

US00D772284S

(12) **United States Design Patent** (10) **Patent No.:** **US D772,284 S**  
**Butcher et al.** (45) **Date of Patent:** **\*\* Nov. 22, 2016**

(54) **DISPLAY SCREEN OR PORTION THEREOF WITH A SET OF GRAPHICAL USER INTERFACES**

D637,514 S \* 5/2011 Hull ..... D11/116  
D648,344 S \* 11/2011 Arnold ..... D14/486  
D658,677 S \* 5/2012 Gleasman ..... D14/488  
D662,510 S \* 6/2012 Clement ..... D14/490  
D664,973 S \* 8/2012 Gleasman ..... D14/486  
D673,167 S \* 12/2012 Woo ..... D14/487  
D676,873 S \* 2/2013 Koehn ..... D14/493

(71) Applicant: **Apple Inc.**, Cupertino, CA (US)

(72) Inventors: **Gary Butcher**, San Jose, CA (US);  
**Imran Chaudhri**, San Francisco, CA (US); **Alan C. Dye**, San Francisco, CA (US); **Brian Andrew Schmitt**, San Francisco, CA (US); **Wan Si Wan**, Sunnyvale, CA (US)

(Continued)

(73) Assignee: **Apple Inc.**, Cupertino, CA (US)

(\*\*) Term: **14 Years**

(21) Appl. No.: **29/501,109**

(22) Filed: **Sep. 1, 2014**

(51) **LOC (10) Cl.** ..... **14-04**

(52) **U.S. Cl.**  
USPC ..... **D14/488**; D14/490

(58) **Field of Classification Search**  
USPC ..... D11/95, 116; D18/24-32;  
D14/485-495; D20/11, 15, 22-28, 31,  
D20/32

CPC ..... B60H 1/00; G06F 3/017; G06F 3/04817;  
G06F 3/0488; G06F 2203/04808; H04M  
1/72547; H04M 41/22; H04M 12/282

See application file for complete search history.

(56) **References Cited**

**U.S. PATENT DOCUMENTS**

D58,695 S \* 8/1921 Arend ..... D11/116  
D247,881 S \* 5/1978 Hitchens ..... D11/41  
D304,458 S \* 11/1989 Mowry, Jr. .... 101/399  
D382,952 S \* 8/1997 Pearson ..... D23/366  
D408,752 S \* 4/1999 Gonzalez ..... D10/126  
D573,355 S \* 7/2008 Sweatt ..... D5/29  
D580,966 S \* 11/2008 MacDonald ..... D18/28  
D612,672 S \* 3/2010 Fabbri ..... D7/393  
D617,673 S \* 6/2010 Kladde ..... D11/81  
D628,580 S \* 12/2010 Pearson ..... D14/488

**OTHER PUBLICATIONS**

Eye on Mobility | 2015 | Concept Sunday: Hexagon Wearable, posted on Nov. 8, 2015 by Jerome Skalnik, © 2013-2016 Eye on Mobility [online], [site visited Mar. 11, 2016]. Available from Internet, <URL: <http://www.eyeonmobility.com/2015/concept-sunday-hexagon-wearable/>>.\*

(Continued)

*Primary Examiner* — Karen Kearney  
*Assistant Examiner* — Cary M Robinson

(74) *Attorney, Agent, or Firm* — Sterne, Kessler, Goldstein & Fox P.L.L.C.

(57) **CLAIM**

The ornamental design for a display screen or portion thereof with a set of graphical user interfaces, as shown and described.

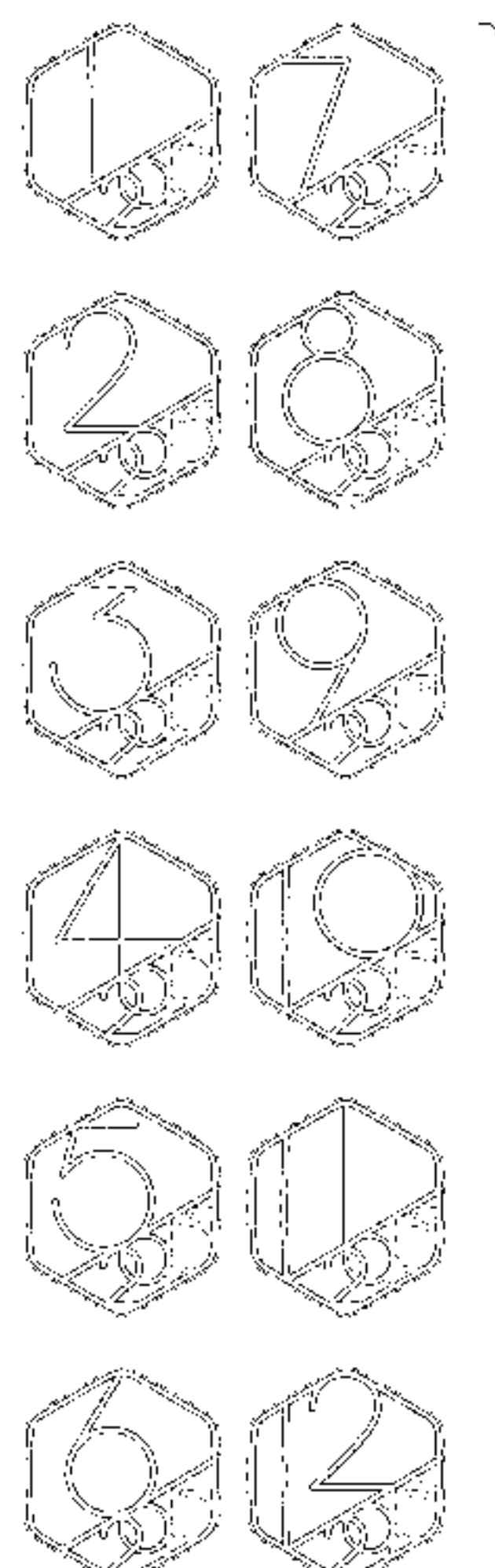
**DESCRIPTION**

The FIGURE is a front view of a display screen or portion thereof with a set of graphical user interfaces showing the claimed design.

The outermost broken lines in the FIGURE show a display screen or portion thereof, and form no part of the claimed design. The other broken lines in the FIGURE show portions of the set of graphical user interfaces that form no part of the claimed design.

The set of graphical user interfaces is arranged on the drawing sheet for the convenience of illustration, and the relative positioning of the graphical user interfaces forms no part of the claimed design.

**1 Claim, 1 Drawing Sheet**



(56)

References Cited

U.S. PATENT DOCUMENTS

D704,729 S \* 5/2014 Khanna ..... D14/488  
D705,250 S \* 5/2014 Khanna ..... D14/488  
D712,909 S \* 9/2014 Francisco ..... D14/485  
D717,372 S \* 11/2014 Glaholm ..... D20/29  
D718,779 S \* 12/2014 Hang Sik ..... D14/486  
D723,060 S \* 2/2015 Daniel ..... D14/492  
D747,340 S \* 1/2016 Seo ..... D14/487  
D749,128 S \* 2/2016 Perez ..... D14/489  
D750,129 S \* 2/2016 Kwon ..... D14/490  
D751,116 S \* 3/2016 Park ..... D14/490  
9,298,745 B2 \* 3/2016 Lee ..... G06F 3/04817  
9,317,148 B2 \* 4/2016 Arakawa ..... G06F 3/041

D757,799 S \* 5/2016 Park ..... D14/490  
9,326,912 B2 \* 5/2016 Nicholson ..... A61H 33/005  
9,354,778 B2 \* 5/2016 Cornaby ..... G06F 3/04847  
9,380,453 B2 \* 6/2016 Park ..... H04M 1/72519  
D763,299 S \* 8/2016 Akana ..... D14/488  
9,414,125 B2 \* 8/2016 Ferren ..... H04N 21/632

OTHER PUBLICATIONS

Trademark Serial No. 73514740, Dec. 21, 1984 (filing date), First used in commerce—May 1, 1980, (Applicant) Wilson, Terrance J. Apis Co. Individual, USA Missouri.\*

\* cited by examiner

