



US00D772242S

(12) **United States Design Patent**  
**Weskamp**

(10) **Patent No.:** **US D772,242 S**

(45) **Date of Patent:** **\*\* Nov. 22, 2016**

(54) **DISPLAY PANEL OF A PROGRAMMED  
COMPUTER SYSTEM WITH A GRAPHICAL  
USER INTERFACE**

(71) Applicant: **Flipboard, Inc.**, Palo Alto, CA (US)

(72) Inventor: **Marcos Weskamp**, Palo Alto, CA (US)

(73) Assignee: **Flipboard, Inc.**, Palo Alto, CA (US)

(\*\*) Term: **14 Years**

(21) Appl. No.: **29/503,427**

(22) Filed: **Sep. 25, 2014**

(51) **LOC (10) Cl.** ..... **14-04**

(52) **U.S. Cl.**  
USPC ..... **D14/485**

(58) **Field of Classification Search**  
USPC ..... D14/485-495  
CPC ..... G06F 3/048; G06F 3/0482  
See application file for complete search history.

(56) **References Cited**

**U.S. PATENT DOCUMENTS**

6,288,719	B1 *	9/2001	Squilla	.....	H04N 1/3875 358/403
D555,663	S *	11/2007	Nagata	.....	D14/488
D555,664	S *	11/2007	Nagata	.....	D14/488
D595,301	S *	6/2009	Akimoto	.....	D14/485
D595,726	S *	7/2009	Akimoto	.....	D14/485
D599,368	S *	9/2009	Kanga	.....	D14/485
D599,371	S *	9/2009	Brown	.....	D14/485
D599,806	S *	9/2009	Brown	.....	D14/485
D607,889	S *	1/2010	Poling	.....	D14/485
D614,640	S *	4/2010	Viegers	.....	D14/486
D614,641	S *	4/2010	Viegers	.....	D14/486
D614,643	S *	4/2010	Viegers	.....	D14/486
D620,023	S *	7/2010	Flik	.....	D14/493
D647,912	S *	11/2011	Maitlen	.....	D14/485
D669,906	S *	10/2012	Cranfill	.....	D14/485
D674,809	S *	1/2013	Furue	.....	D14/485

(Continued)

*Primary Examiner* — Kevin Rudzinski

(74) *Attorney, Agent, or Firm* — Fenwick & West LLP

(57) **CLAIM**

I claim the ornamental design for a display panel of a programmed computer system with a graphical user interface, as shown and described.

**DESCRIPTION**

FIG. 1 is a front view of a first view of a first embodiment of a display panel of a programmed computer system with a graphical user interface.

FIG. 2 is a front view of a second view of the first embodiment of a display panel of a programmed computer system with a graphical user interface.

FIG. 3 is a front view of a third view of the first embodiment of a display panel of a programmed computer system with a graphical user interface.

FIG. 4 is a front view of a fourth view of the first embodiment of a display panel of a programmed computer system with a graphical user interface.

FIG. 5 is a front view of a first view of a second embodiment of a display panel of a programmed computer system with a graphical user interface.

FIG. 6 is a front view of a second view of the second embodiment of a display panel of a programmed computer system with a graphical user interface.

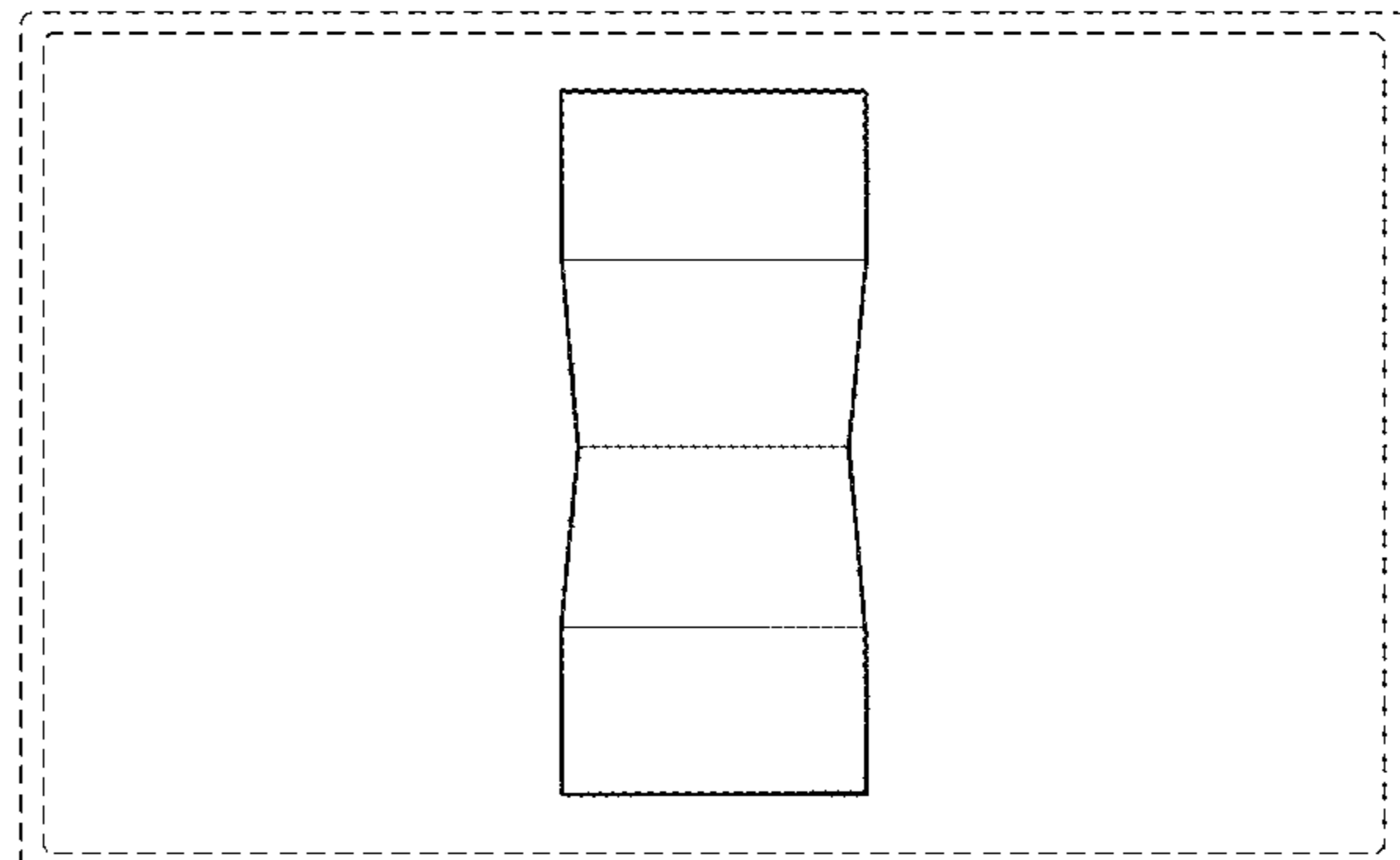
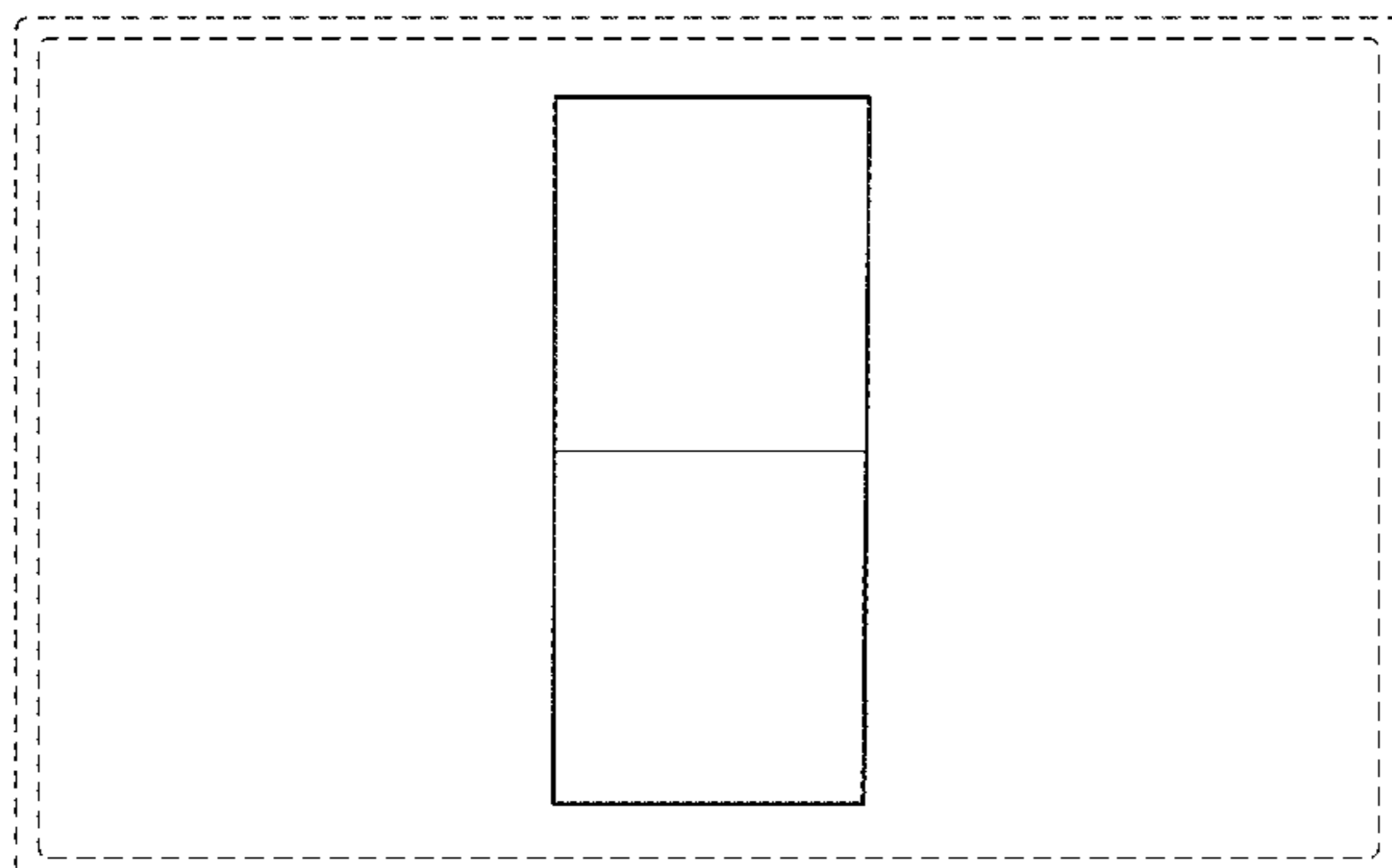
FIG. 7 is a front view of a third view of the second embodiment of a display panel of a programmed computer system with a graphical user interface; and,

FIG. 8 is a front view of a fourth view of the second embodiment of a display panel of a programmed computer system with a graphical user interface.

The broken line showing of a display panel is included for the purpose of illustrating environmental structure; the broken lines form no part of the claimed design.

The appearance of the transitional image sequentially transitions between the images shown in FIGS. 1-4 and FIGS. 5-8. The process or period in which one image transitions to another image forms no part of the claimed design.

**1 Claim, 8 Drawing Sheets**



(56)

References Cited

U.S. PATENT DOCUMENTS

D681,657 S *	5/2013	Deng	.....	D14/486	D738,910 S *	9/2015	Drozd	.....	D14/488
D686,231 S *	7/2013	Rodenhouse	.....	D14/486	D744,524 S *	12/2015	Abbas	.....	D14/488
D695,779 S *	12/2013	Edwards	.....	D14/488	D749,608 S *	2/2016	Bae	.....	D14/486
D705,800 S *	5/2014	Khanna	.....	D14/488	D750,124 S *	2/2016	Everette	.....	D14/488
D717,311 S *	11/2014	Sakata	.....	D14/485	D752,086 S *	3/2016	Sang-hyun	.....	D14/488
D726,200 S *	4/2015	Yang	.....	D14/486	D754,158 S *	4/2016	Moon	.....	D14/485
D727,934 S *	4/2015	Jin	.....	D14/486	D755,239 S *	5/2016	Lee	.....	D14/494
D730,369 S *	5/2015	Yokota	.....	D14/485	D757,773 S *	5/2016	Ekstrand	.....	D14/486
D734,763 S *	7/2015	Kim	.....	D14/485	2004/0036711 A1*	2/2004	Anderson	.....	G06T 13/80 715/701
9,077,823 B1 *	7/2015	Grosz	.....	H04N 1/00177	2010/0131294 A1*	5/2010	Venon	.....	G06F 19/321 705/3
D738,395 S *	9/2015	Barcheck	.....	D14/486	2011/0107223 A1*	5/2011	Tilton	.....	G06Q 10/10 715/730

\* cited by examiner

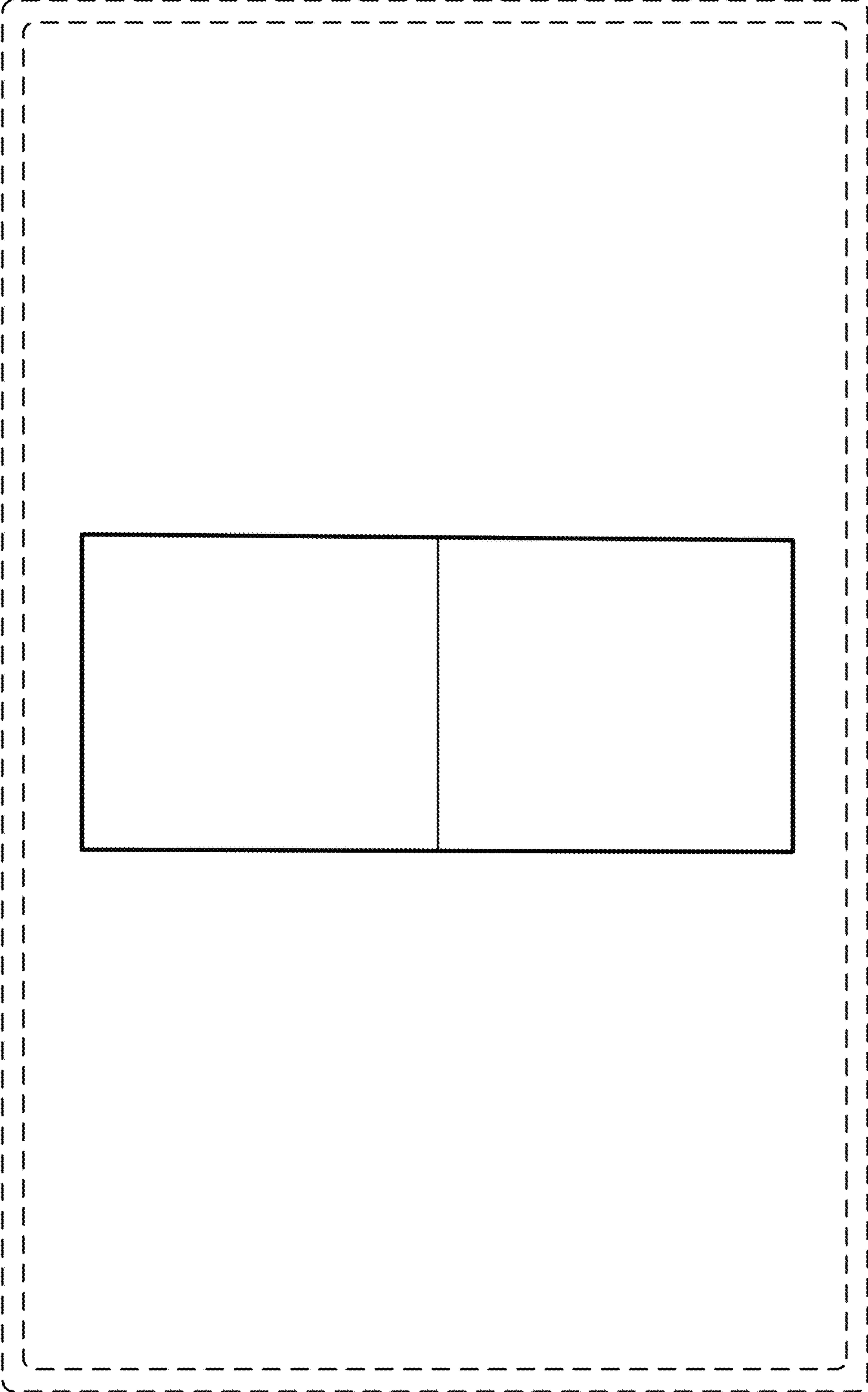


FIG. 1

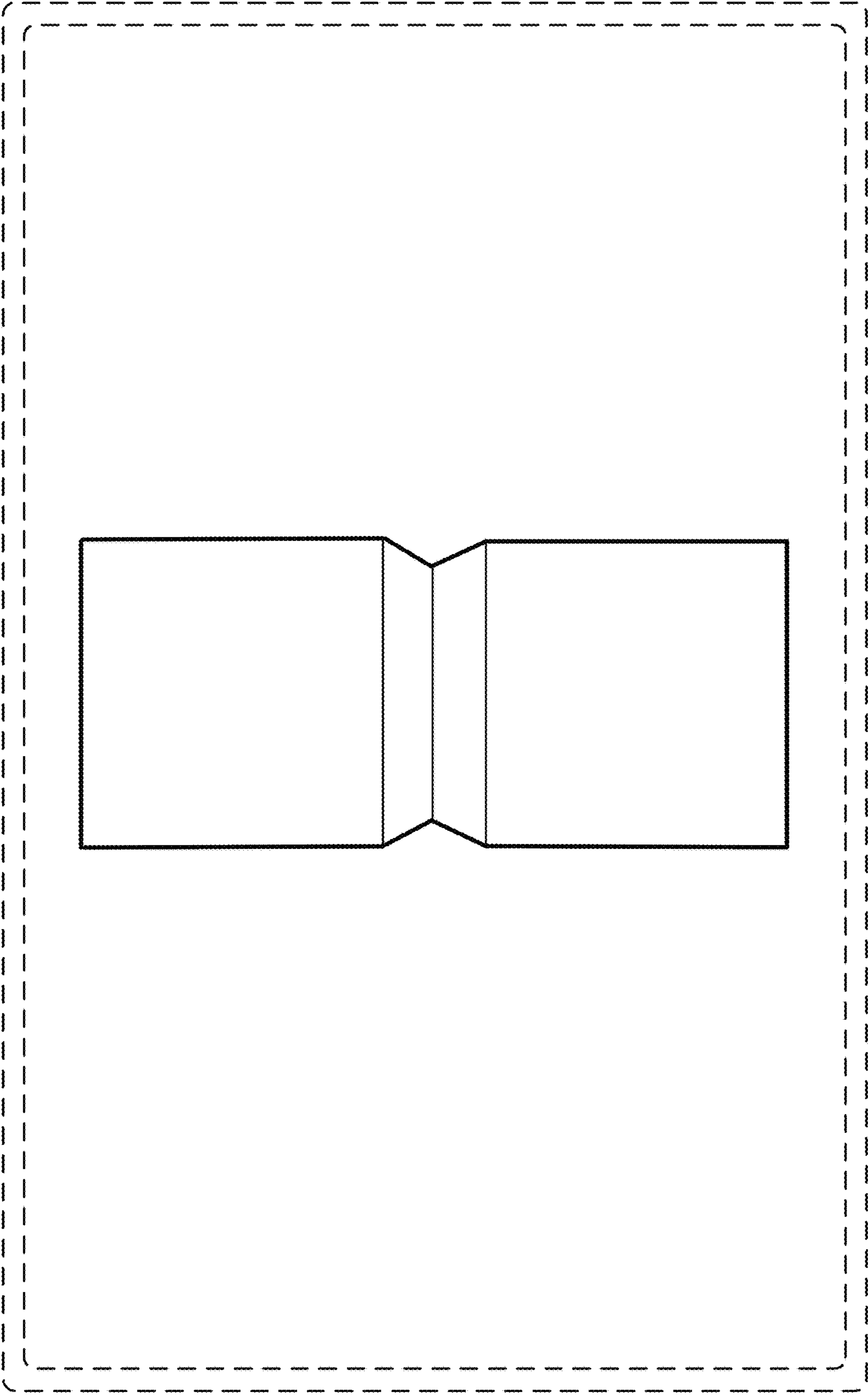


FIG. 2

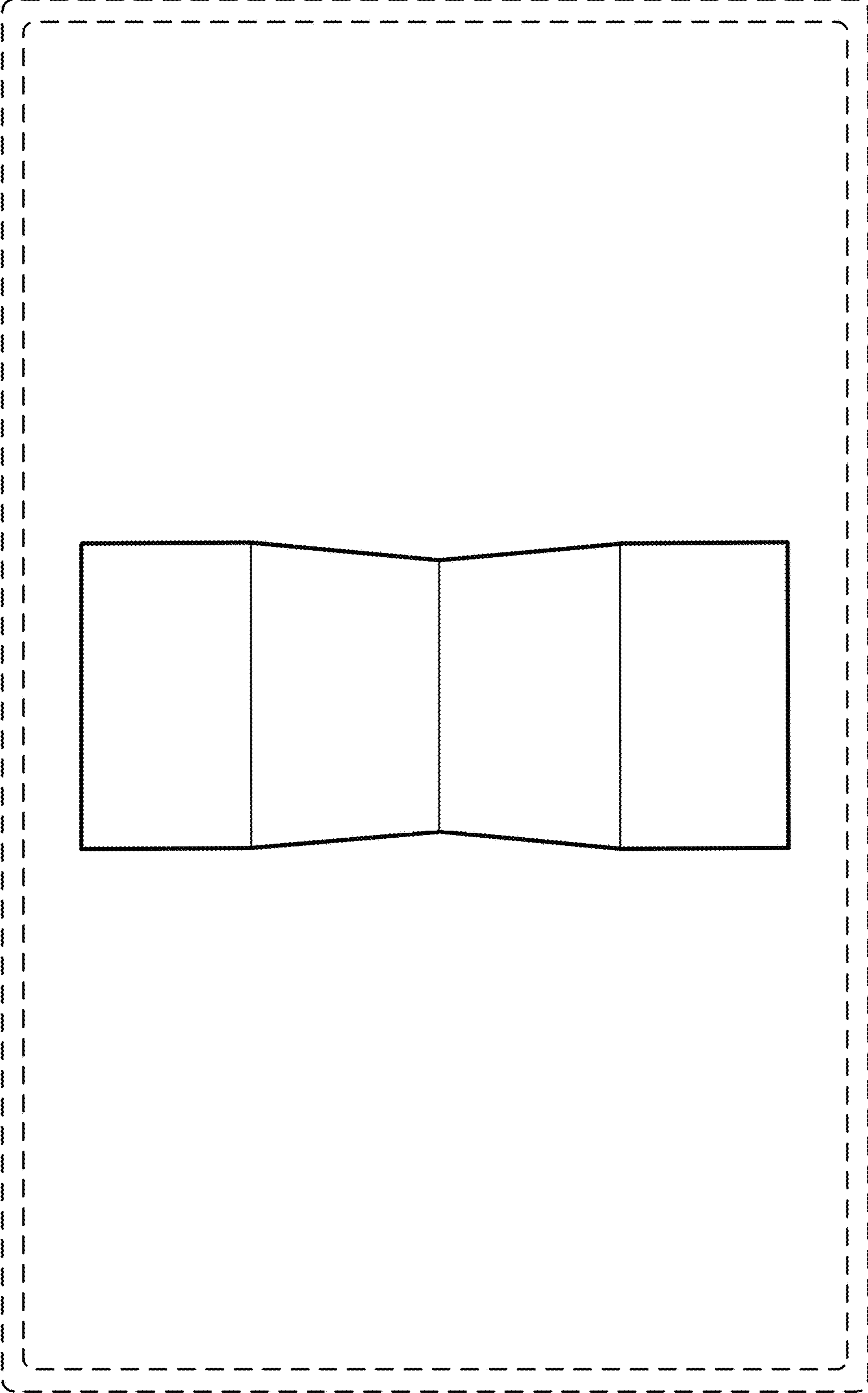


FIG. 3

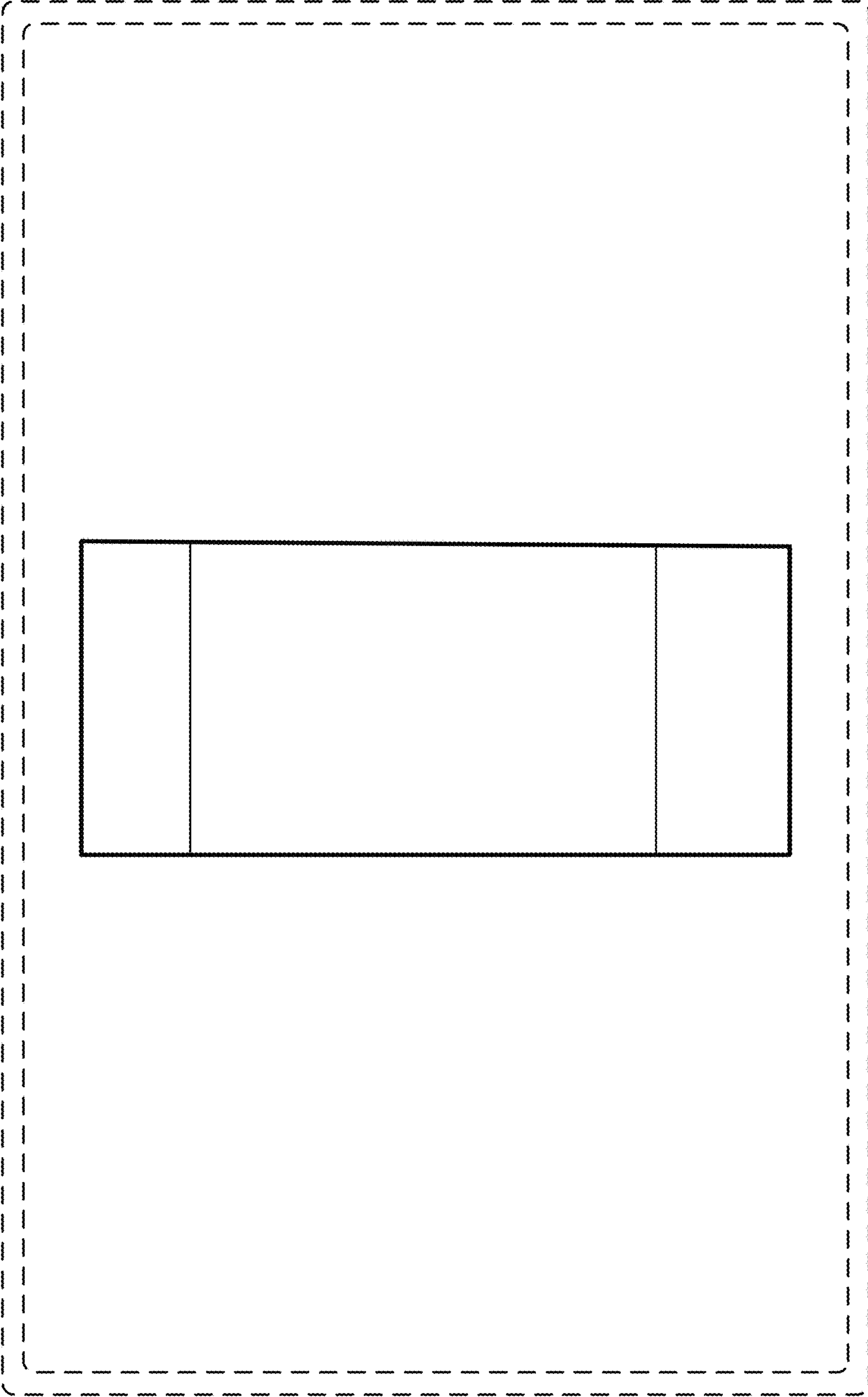


FIG. 4

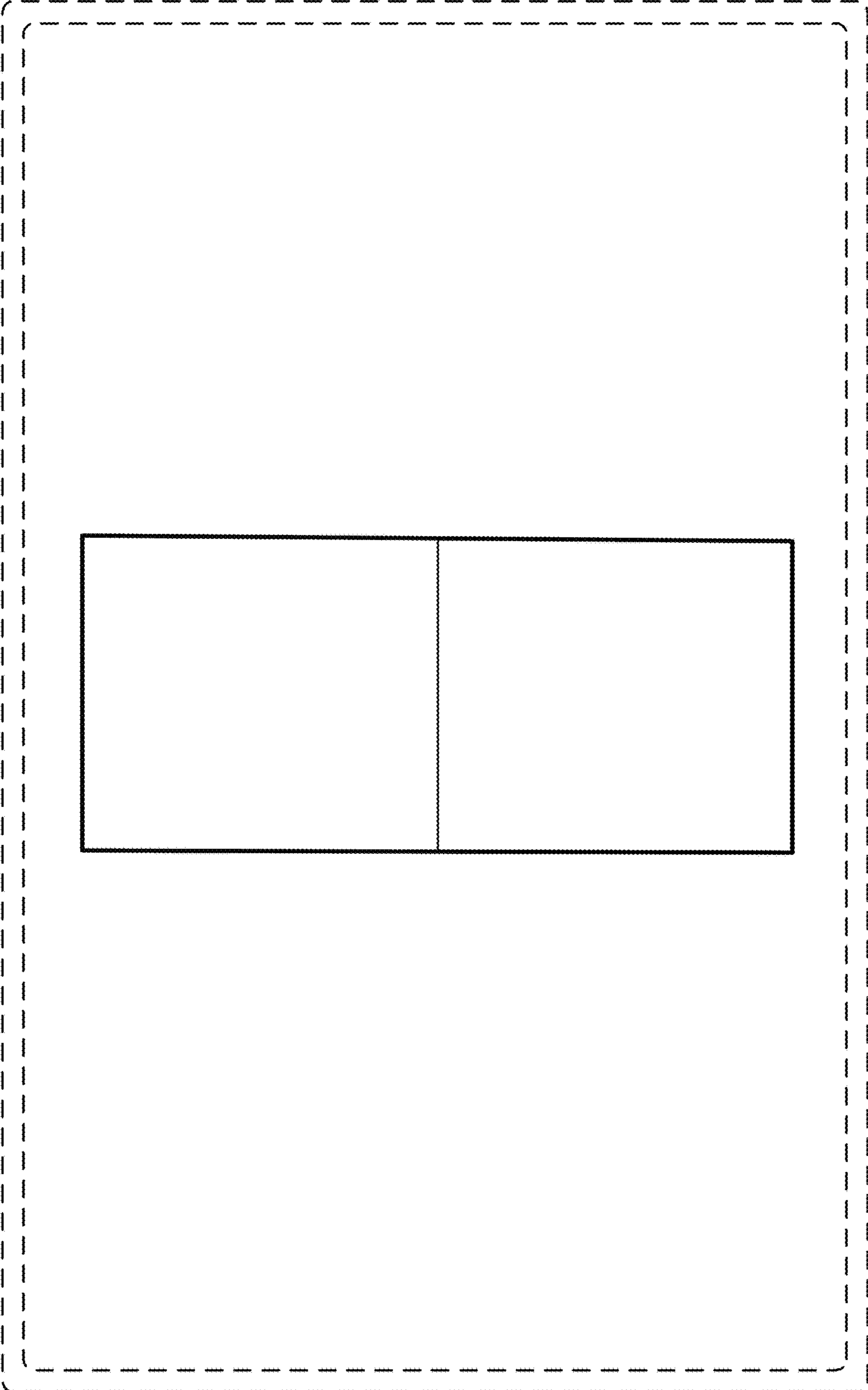


FIG. 5

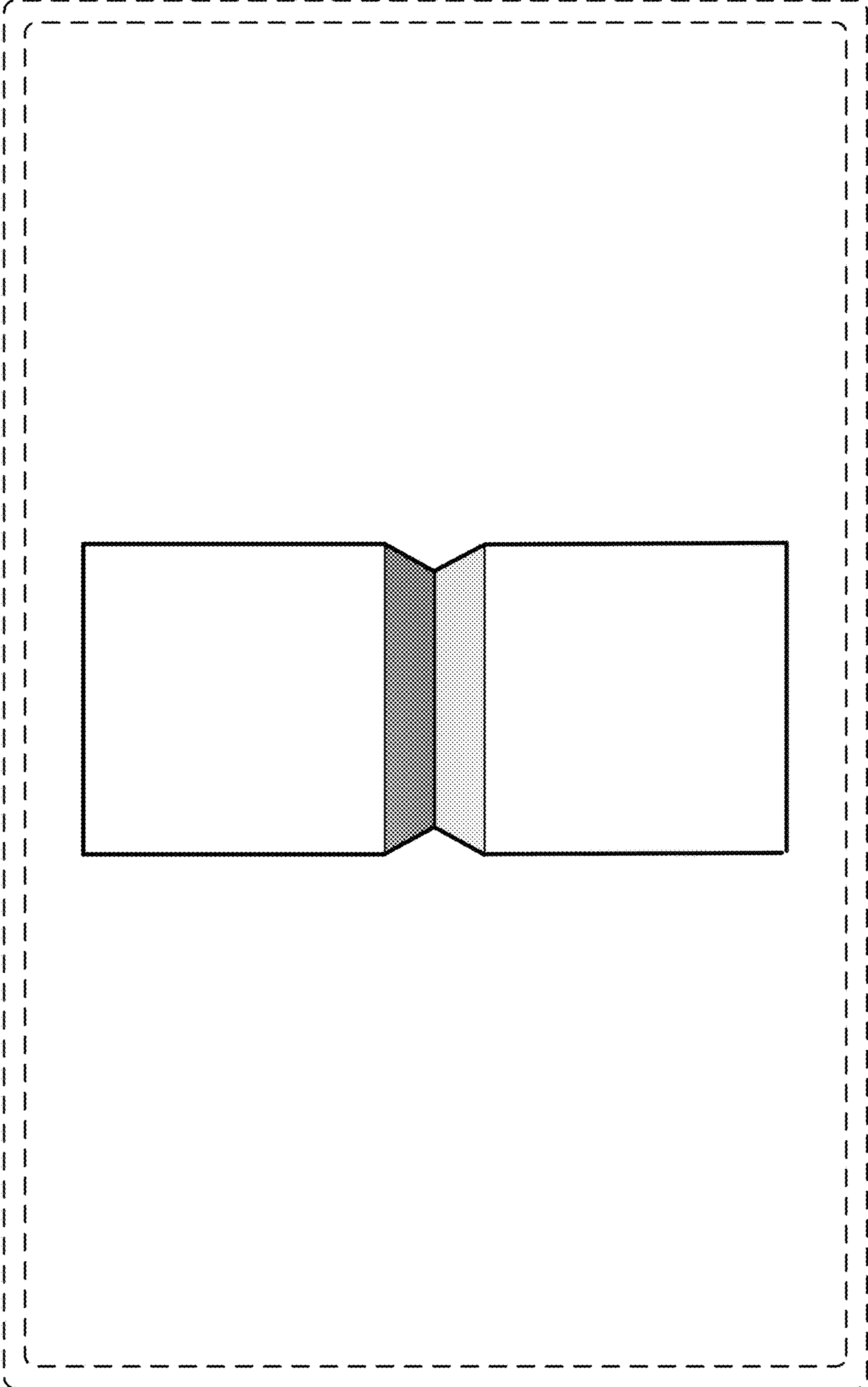


FIG. 6



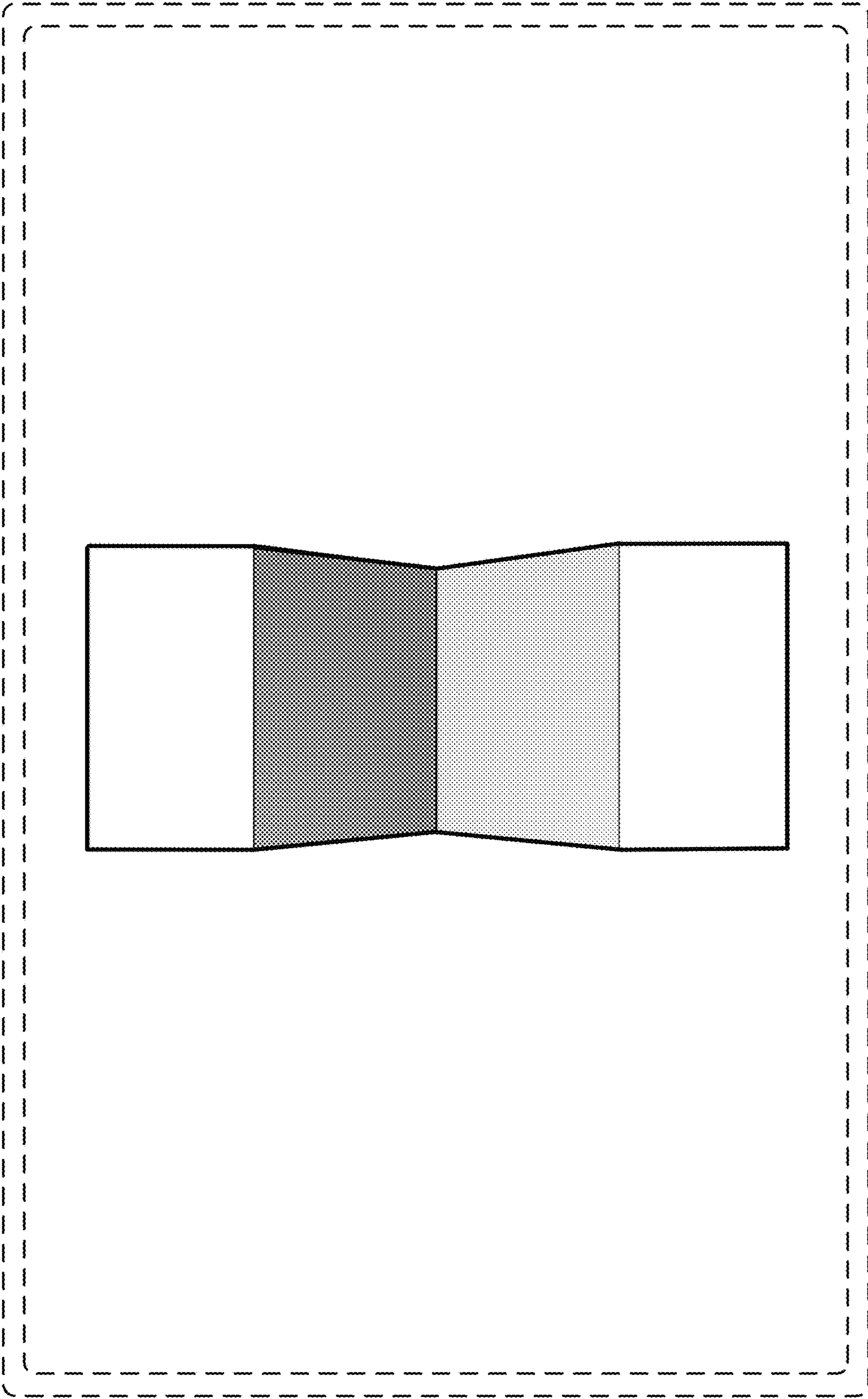


FIG. 7

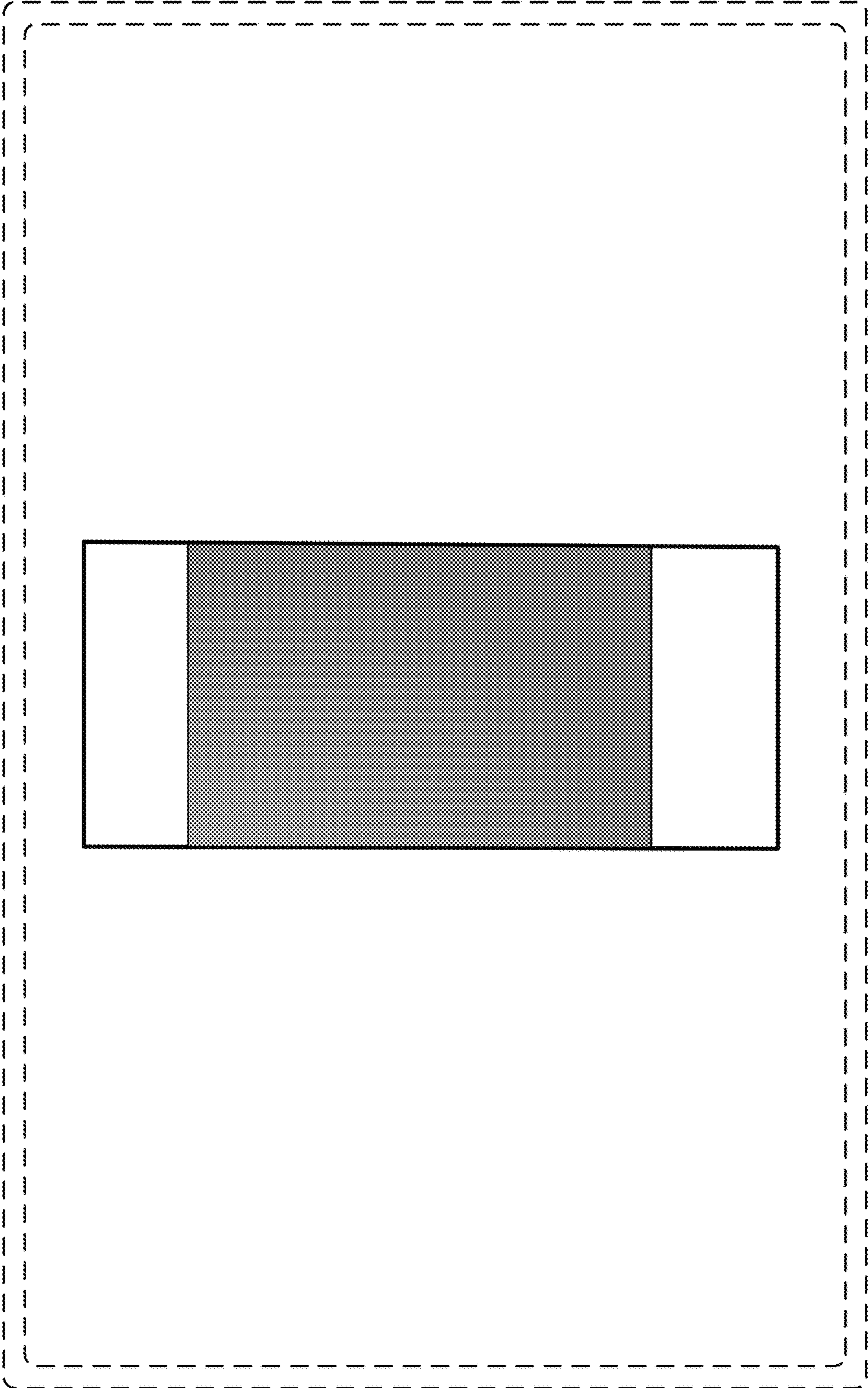


FIG. 8