



US00D772236S

(12) **United States Design Patent**  
**Anderson**

(10) **Patent No.:** **US D772,236 S**  
(45) **Date of Patent:** **\*\* Nov. 22, 2016**

- (54) **SWIVEL MOUNT**
- (71) Applicant: **Southco, Inc.**, Concordville, PA (US)
- (72) Inventor: **Glenn Eric Anderson**, Malvern, PA (US)
- (73) Assignee: **Southco, Inc.**, Concordville, PA (US)
- (\*\*) Term: **15 Years**
- (21) Appl. No.: **29/555,559**
- (22) Filed: **Feb. 23, 2016**

**Related U.S. Application Data**

- (63) Continuation of application No. 29/523,820, filed on Apr. 14, 2015, now Pat. No. Des. 753,128, which is a continuation of application No. 29/440,879, filed on Dec. 28, 2012, now Pat. No. Des. 729,814.
- (51) **LOC (10) Cl.** ..... **08-07**
- (52) **U.S. Cl.**  
USPC ..... **D14/452**
- (58) **Field of Classification Search**  
USPC ..... D14/371-382, 125-129, 336, 337, 448, D14/450-452, 492, 335, 447, 239; 341/12; 345/104, 156, 168, 173; 348/180, 184, 348/325, 739, 825; 349/1, 2, 11, 62; 361/679.02, 679.04-679.07, 679.09, 361/679.21, 679.22, 679.26, 679.3; D8/349, 354, 363, 373, 376, 380; 248/519, 534, 541, 58, 125.8, 127, 248/131, 133, 139, 176.1, 176.3, 188.5, 248/279.1, 333, 917-924; 379/454, 455; 312/223.3  
CPC ..... F16M 13/02; F16M 13/00; F16M 11/10; F16M 11/04; F16M 2200/08; F16M 11/2021; A47B 21/0314; A47B 88/044; A47B 2021/0335; H02G 3/126; F16B 47/00; F16B 47/006; A47G 1/17; A47K 2201/00  
See application file for complete search history.

(56) **References Cited**

**U.S. PATENT DOCUMENTS**

- D311,829 S \* 11/1990 Vossoughi ..... D6/513
- D323,323 S \* 1/1992 Klaebel ..... D14/452

- D435,852 S \* 1/2001 Oddsen, Jr. .... D14/452
- D518,063 S \* 3/2006 Piazza ..... D14/452
- D554,137 S 10/2007 Richter
- D557,126 S 12/2007 Worrall
- D562,114 S 2/2008 Chiu
- D563,774 S 3/2008 Wohlford
- D565,938 S 4/2008 Massoumi
- D576,633 S 9/2008 Muday
- D584,734 S \* 1/2009 Chu ..... D14/452
- D596,188 S \* 7/2009 Lau ..... D14/452
- D620,943 S 8/2010 Grey
- D631,052 S \* 1/2011 Hung ..... D14/452
- D638,023 S 5/2011 Skull
- D646,685 S 10/2011 Skull
- D850,372 12/2011 Molter
- D655,284 S 3/2012 Richter
- D662,102 S \* 6/2012 Derry ..... D14/452
- D662,103 S 6/2012 Brandt
- D677,263 S 3/2013 Luijben
- D679,281 S 4/2013 Kaluza
- RE44,740 E 2/2014 Ciungan
- D708,603 S 7/2014 Kim
- D712,394 S 9/2014 Booth
- D718,297 S 11/2014 Aspinall
- D718,298 S 11/2014 Aspinall
- D729,815 S \* 5/2015 Anderson ..... D14/452
- 2005/0236536 A1 10/2005 Fan
- 2006/0060735 A1 \* 3/2006 Oddsen, Jr. .... F16M 11/04  
248/278.1

**OTHER PUBLICATIONS**

- Korean Office Action dated Apr. 24, 2014 corresponding to counterpart Korean Design Registration No. 30-2013-0033355. Apr. 24, 2014.
- Korean Office Action, dated Apr. 24, 2014, corresponding to counterpart Korean Design Registration No. 30-2013-0033356. Apr. 24, 2014.
- Korean Office Action, dated Apr. 24, 2014, corresponding to counterpart Korean Design Registration No. 30-2013357. Apr. 24, 2014.

\* cited by examiner

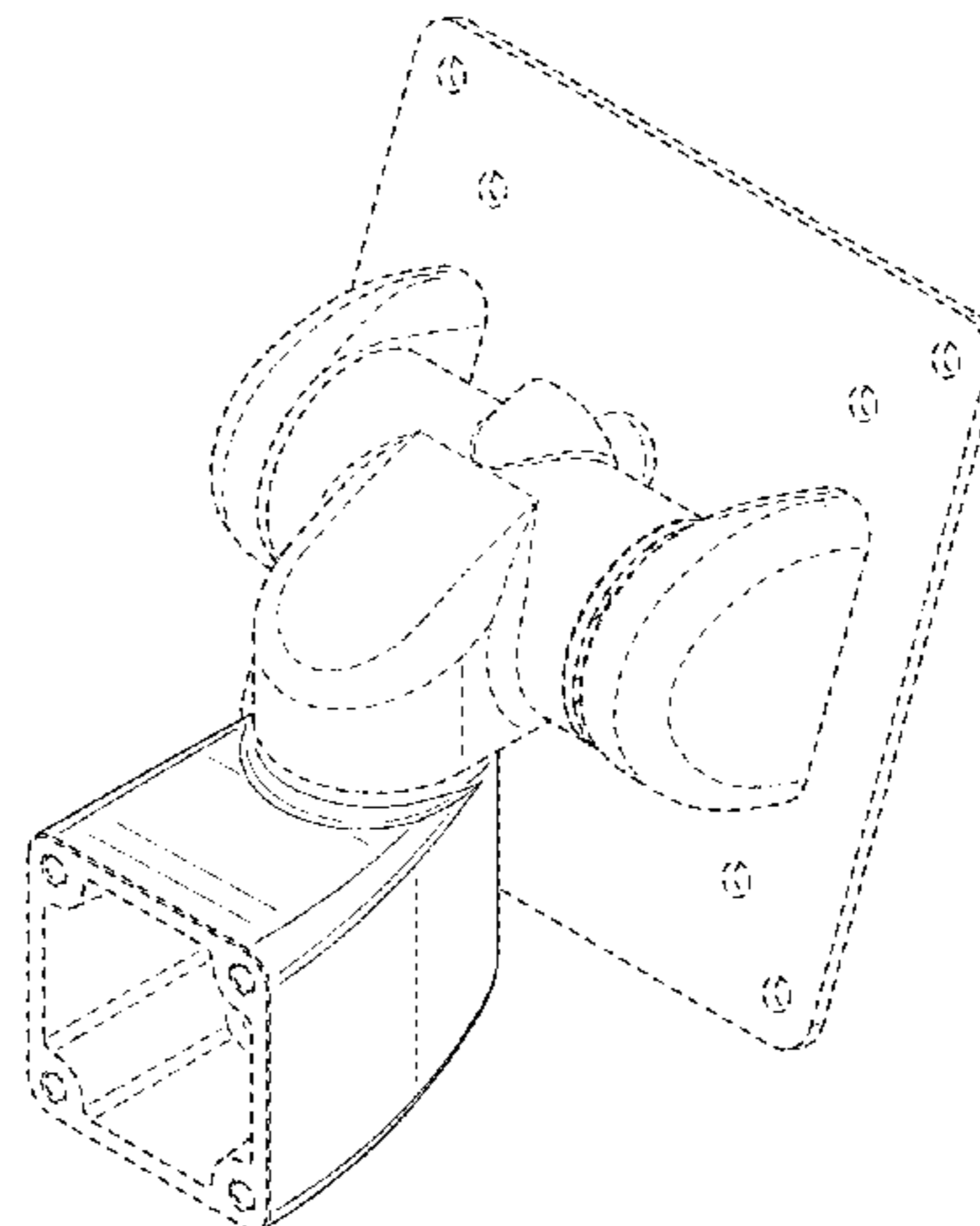
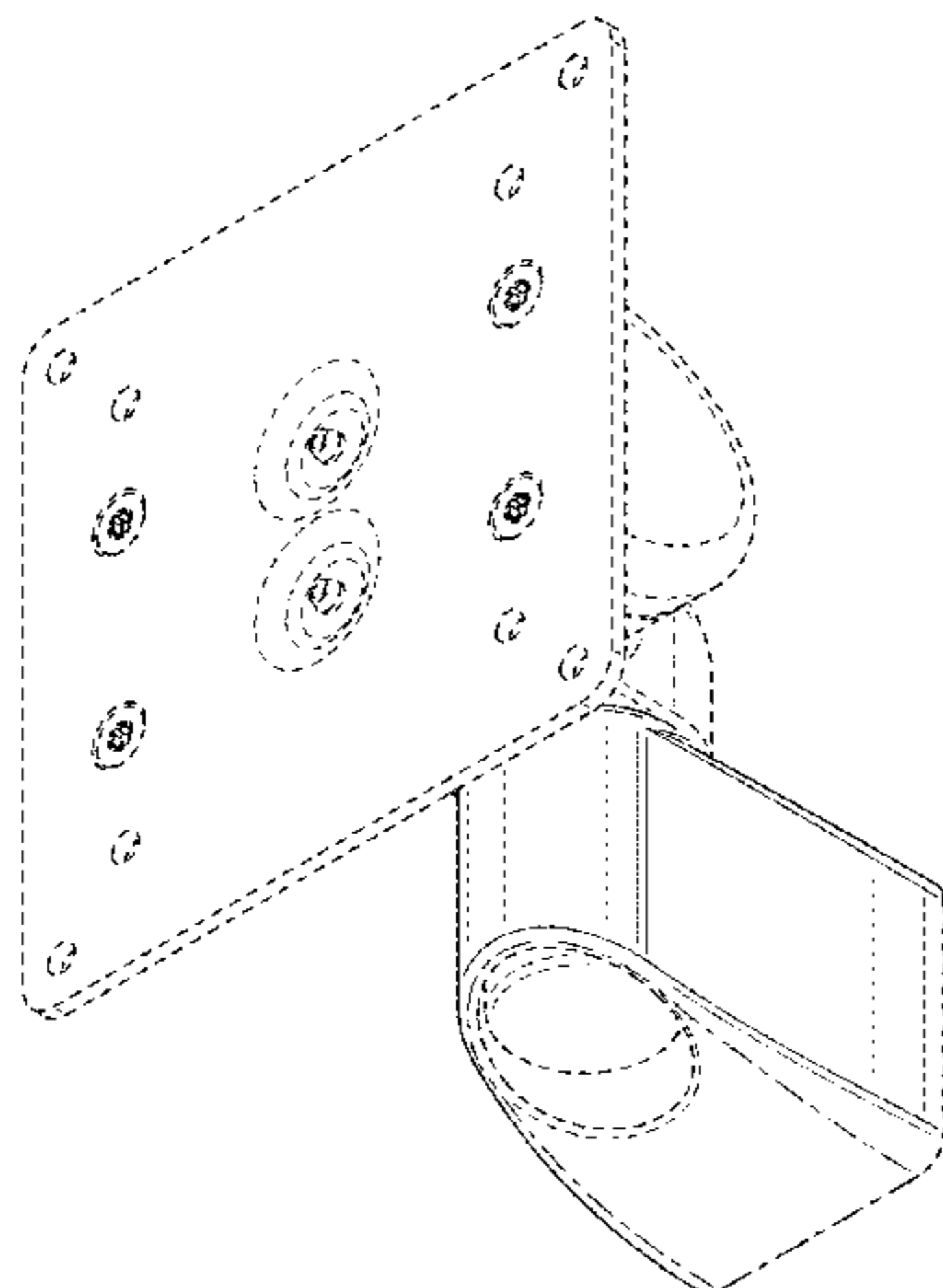
*Primary Examiner* — Garth Rademaker

*Assistant Examiner* — Katie S Mroczka

(74) *Attorney, Agent, or Firm* — RatnerPrestia

(57) **CLAIM**

The ornamental design for a swivel mount, as shown and described.



**DESCRIPTION**

FIG. 1 is a rear perspective view taken from the top right corner of a swivel mount;

FIG. 2 is a rear perspective view taken from the bottom left corner of the swivel mount of FIG. 1;

FIG. 3 is a front elevation view of the swivel mount of FIG. 1;

FIG. 4 is an elevation view as viewed from the right side of the swivel mount of FIG. 1;

FIG. 5 is an elevation view as viewed from the left side of the swivel mount of FIG. 1;

FIG. 6 is a top plan view of the swivel mount of FIG. 1;

FIG. 7 is a bottom plan view of the swivel mount of FIG. 1;

FIG. 8 is a front perspective view taken from the top right corner of the swivel mount of FIG. 1, wherein a mounting portion of the swivel mount is shown in a pivoted configuration;

FIG. 9 is a rear perspective view taken from the top right corner of the pivoted swivel mount of FIG. 8;

FIG. 10 is a rear perspective view taken from the bottom left corner of the pivoted swivel mount of FIG. 8;

FIG. 11 is a front elevation view of the pivoted swivel mount of FIG. 8;

FIG. 12 is a rear elevation view of the pivoted swivel mount of FIG. 8;

FIG. 13 is an elevation view as viewed from the right side of the pivoted swivel mount of FIG. 8;

FIG. 14 is an elevation view as viewed from the left side of the pivoted swivel mount of FIG. 8;

FIG. 15 is a top plan view of the pivoted swivel mount of FIG. 8;

FIG. 16 is a bottom plan view of the pivoted swivel mount of FIG. 8;

FIG. 17 is a front perspective view taken from the top right corner of the swivel mount of FIGS. 1 and 8, wherein both the mounting portion of the swivel mount and a base portion of the swivel mount are shown in pivoted configurations;

FIG. 18 is a front elevation view of the pivoted swivel mount of FIG. 17;

FIG. 19 is a rear elevation view of the pivoted swivel mount of FIG. 17;

FIG. 20 is an elevation view as viewed from the right side of the pivoted swivel mount of FIG. 17;

FIG. 21 is an elevation view as viewed from the left side of the pivoted swivel mount of FIG. 17;

FIG. 22 is a top plan view of the pivoted swivel mount of FIG. 17; and,

FIG. 23 is a bottom plan view of the pivoted swivel mount of FIG. 17.

The dot-dash-type broken lines shown in the drawing views define the boundaries of the claimed design and form not part of the claimed design. The dash-dash-type broken lines shown in the drawing views are for the purpose of illustrating portions of the swivel mount that form no part of the claimed design.

**1 Claim, 23 Drawing Sheets**

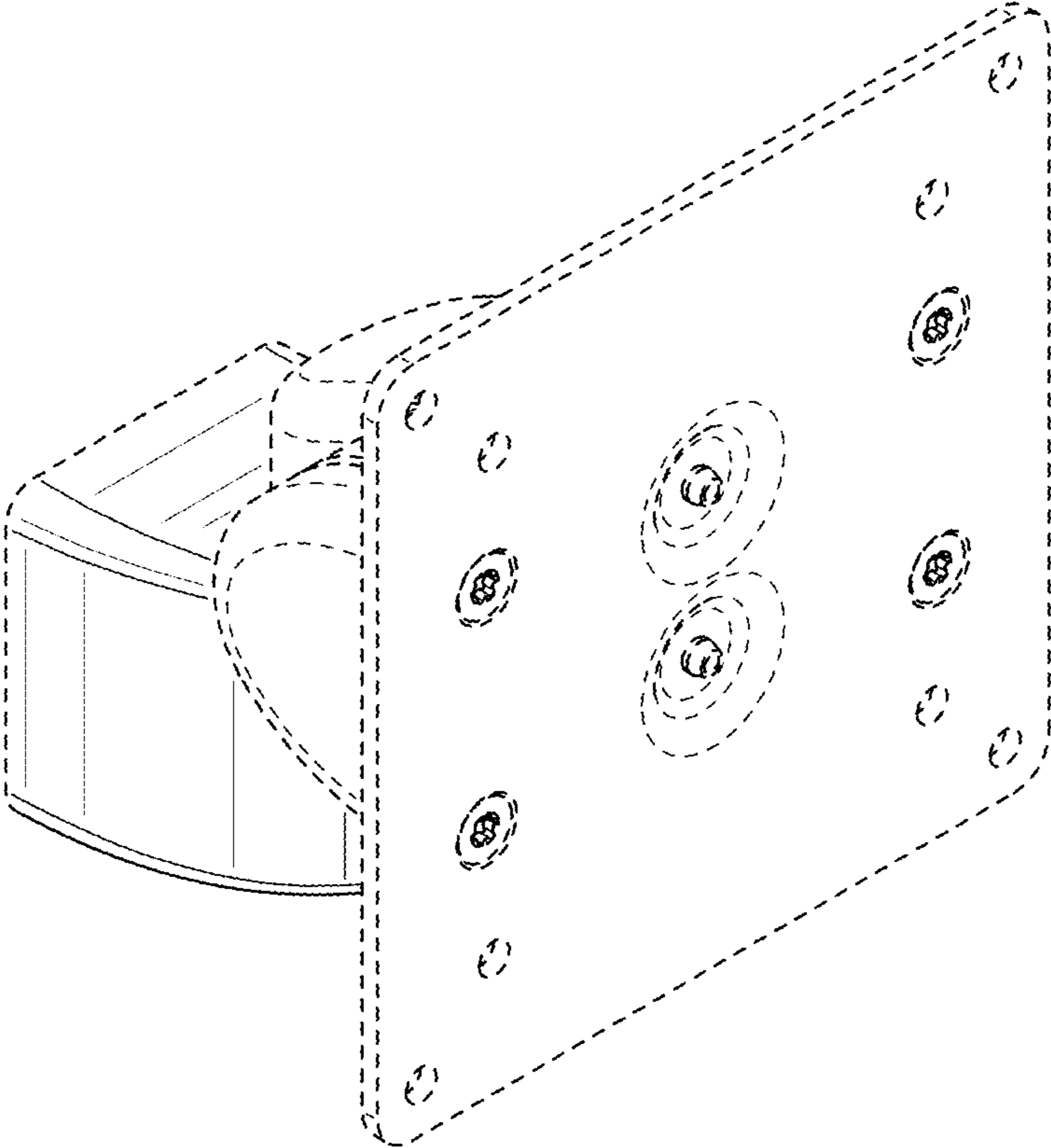


FIG. 1

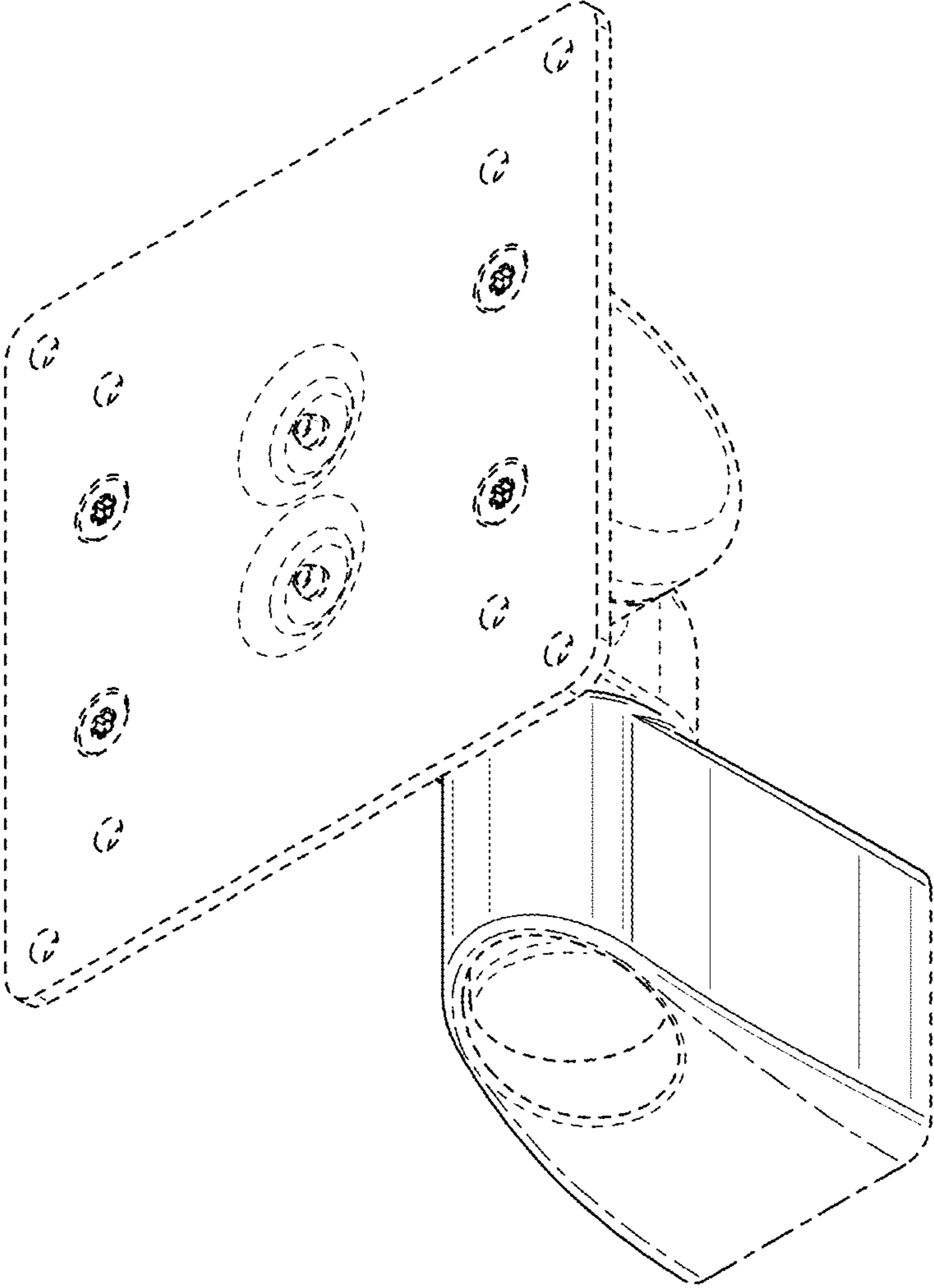


FIG. 2



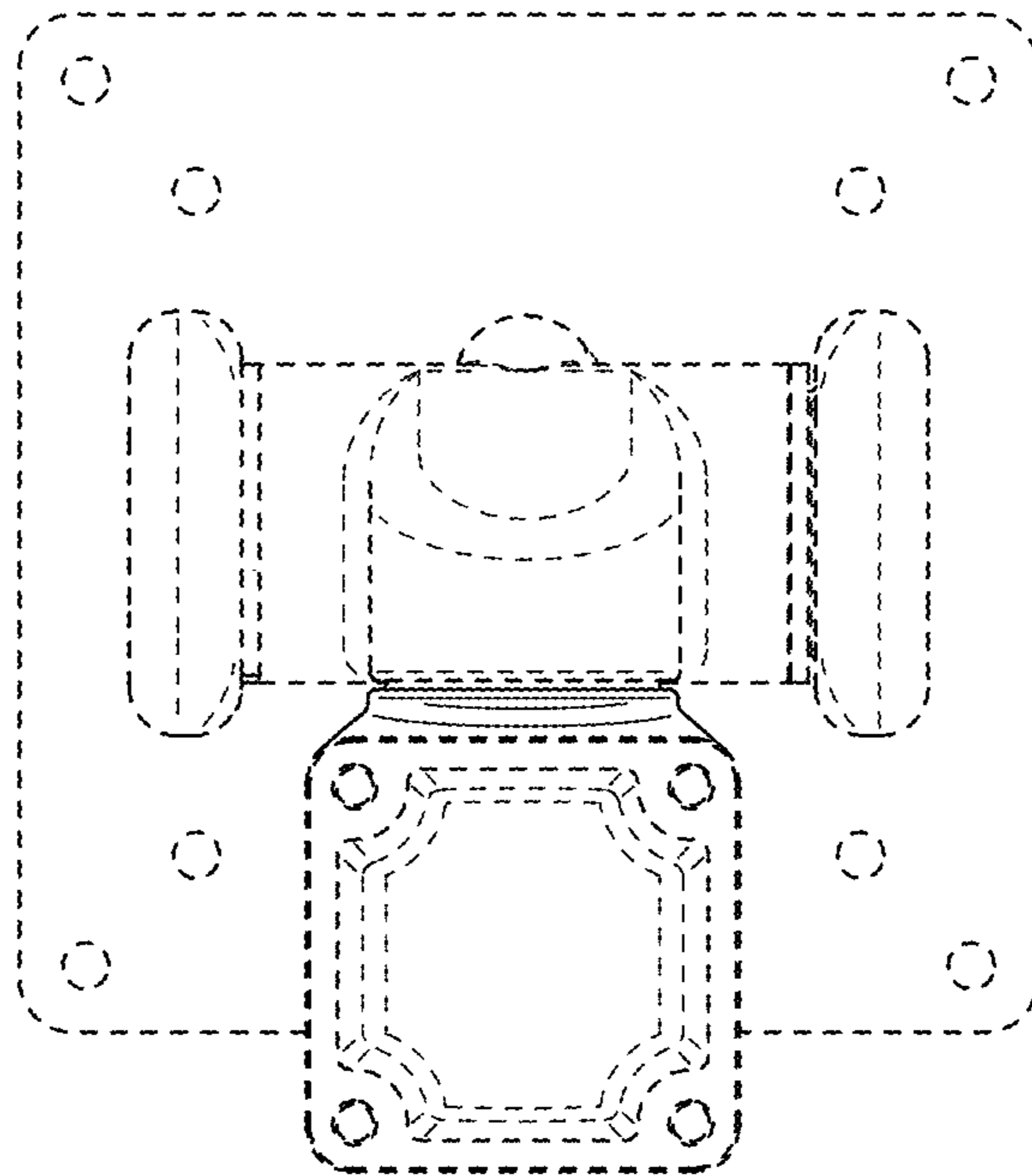


FIG. 3

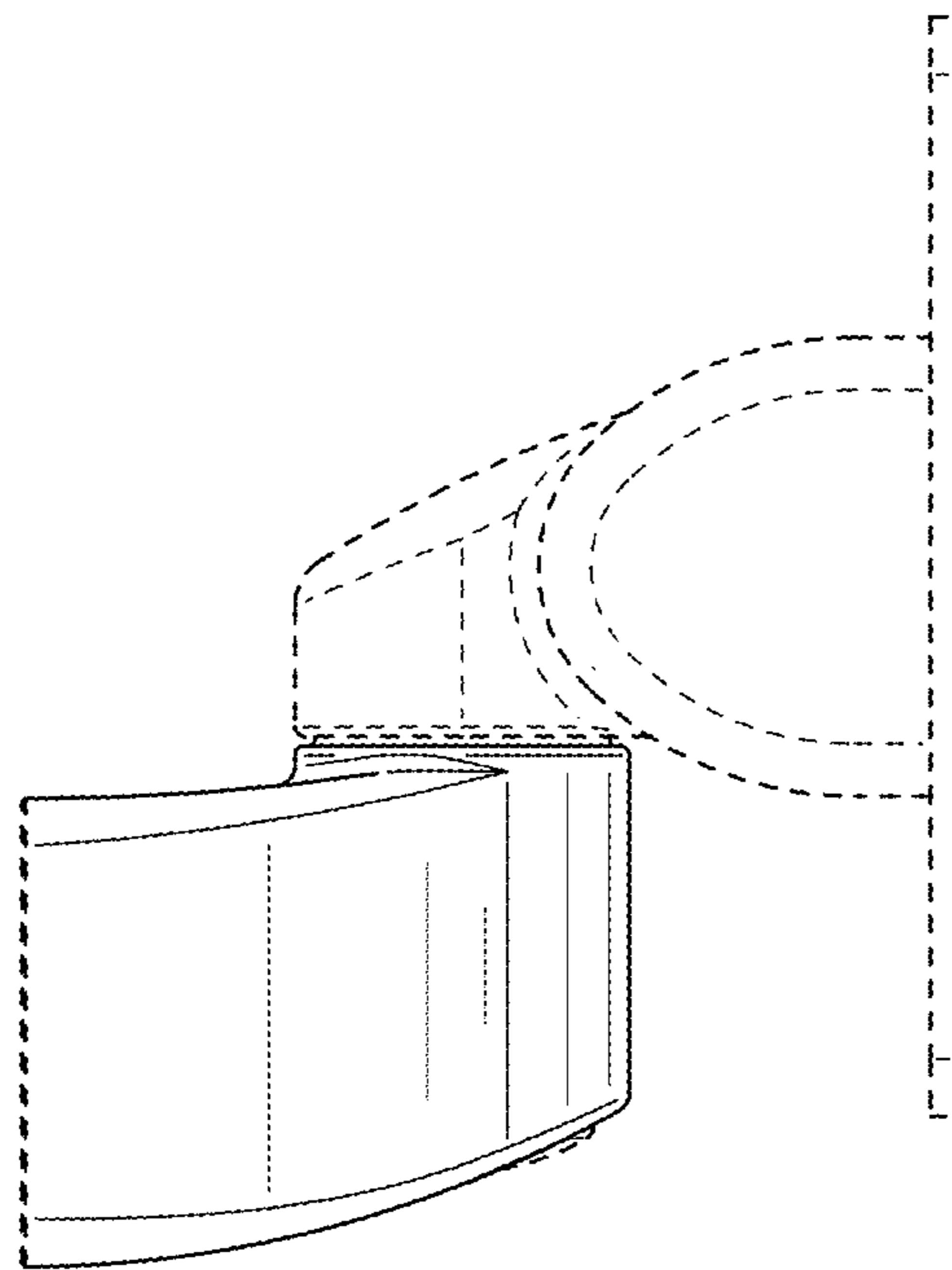


FIG. 4

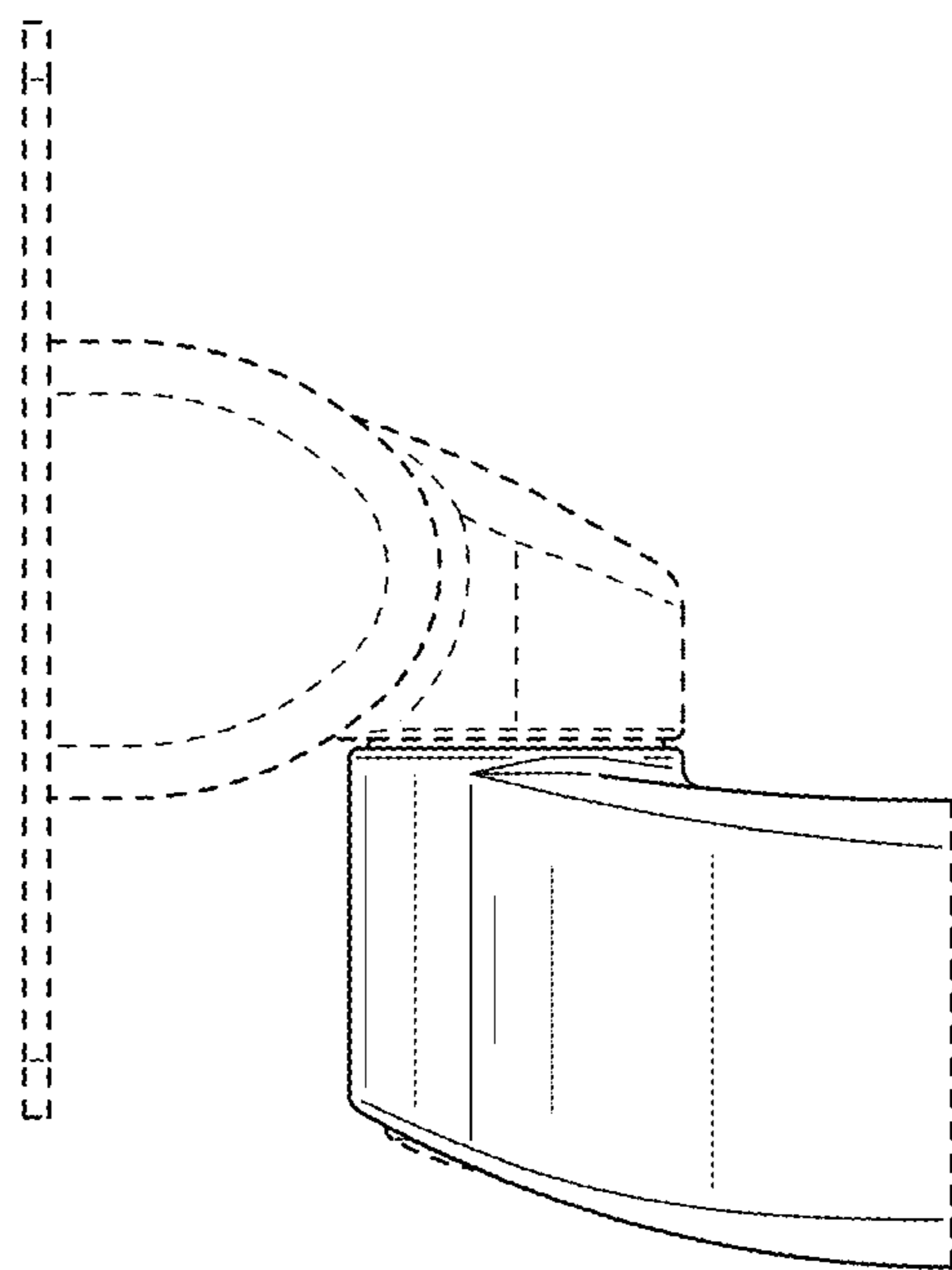


FIG. 5

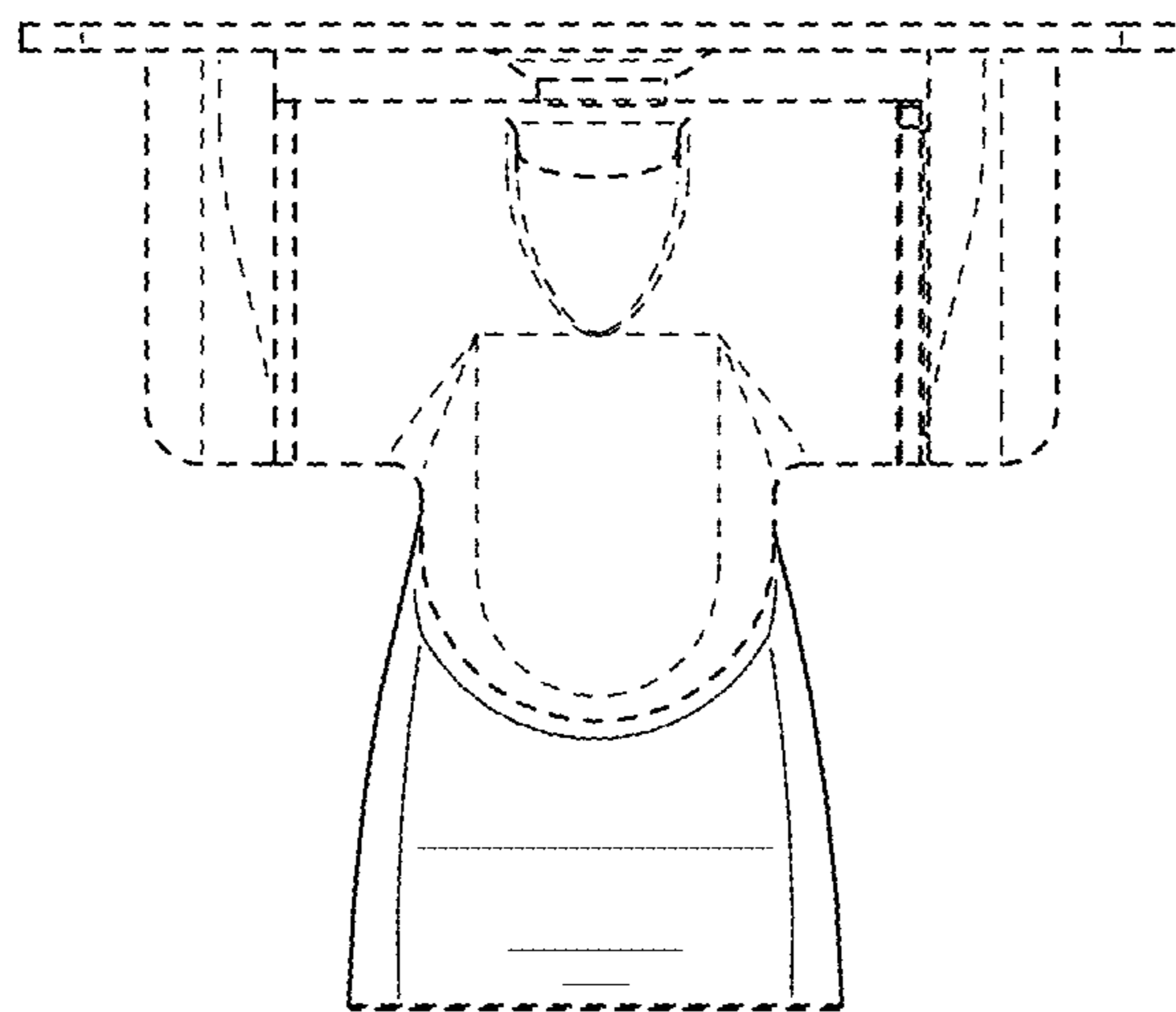


FIG. 6



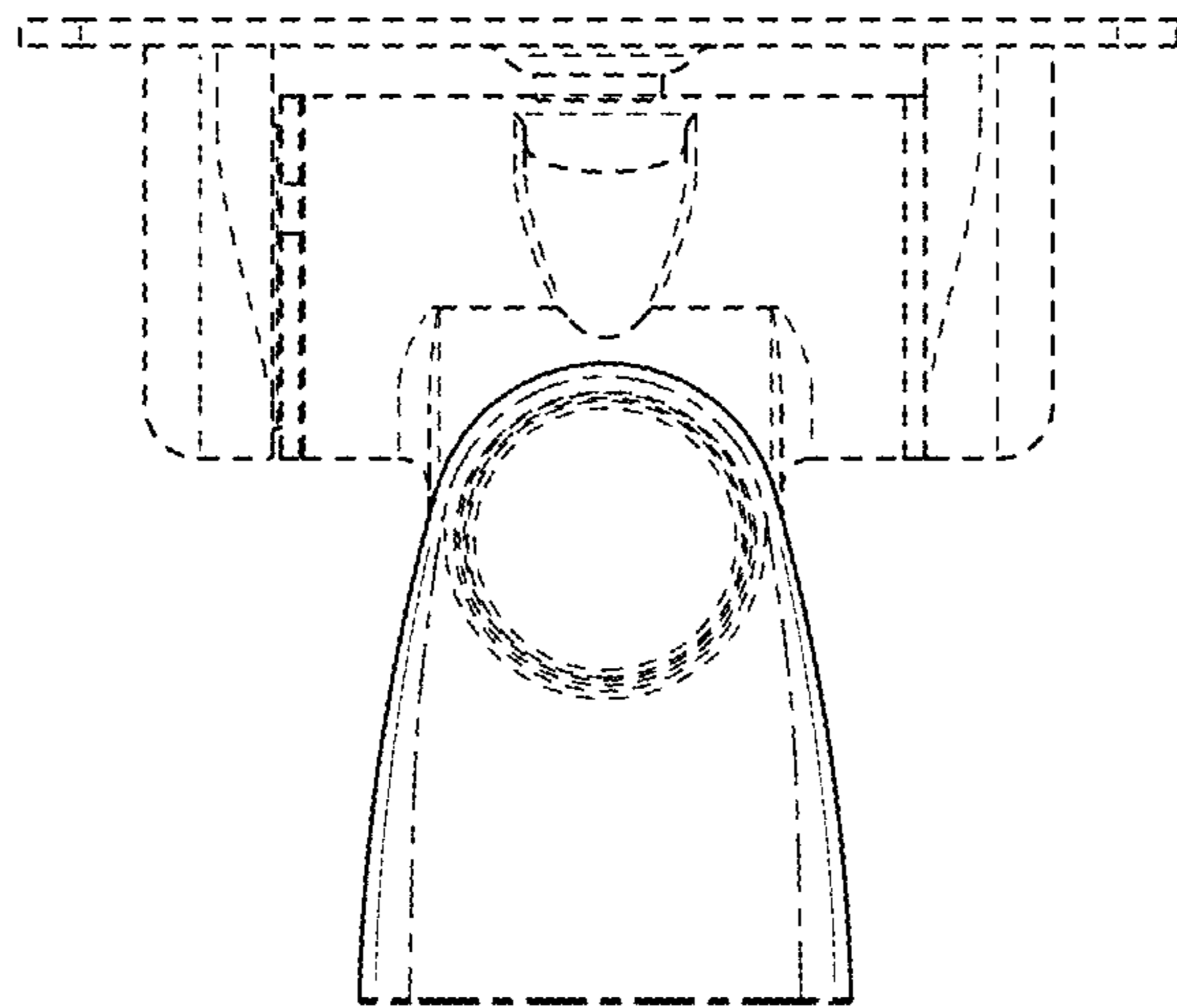


FIG. 7

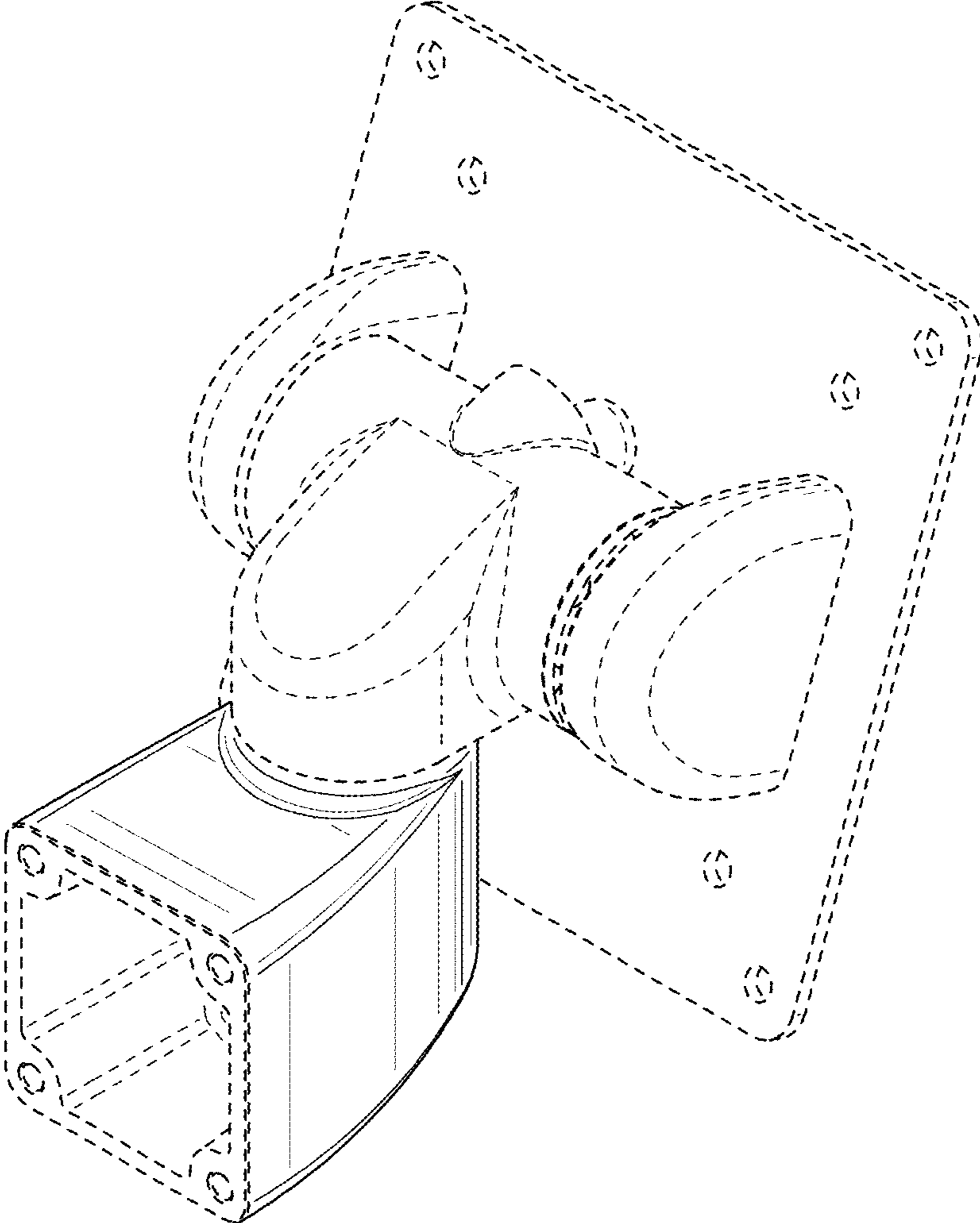


FIG. 8

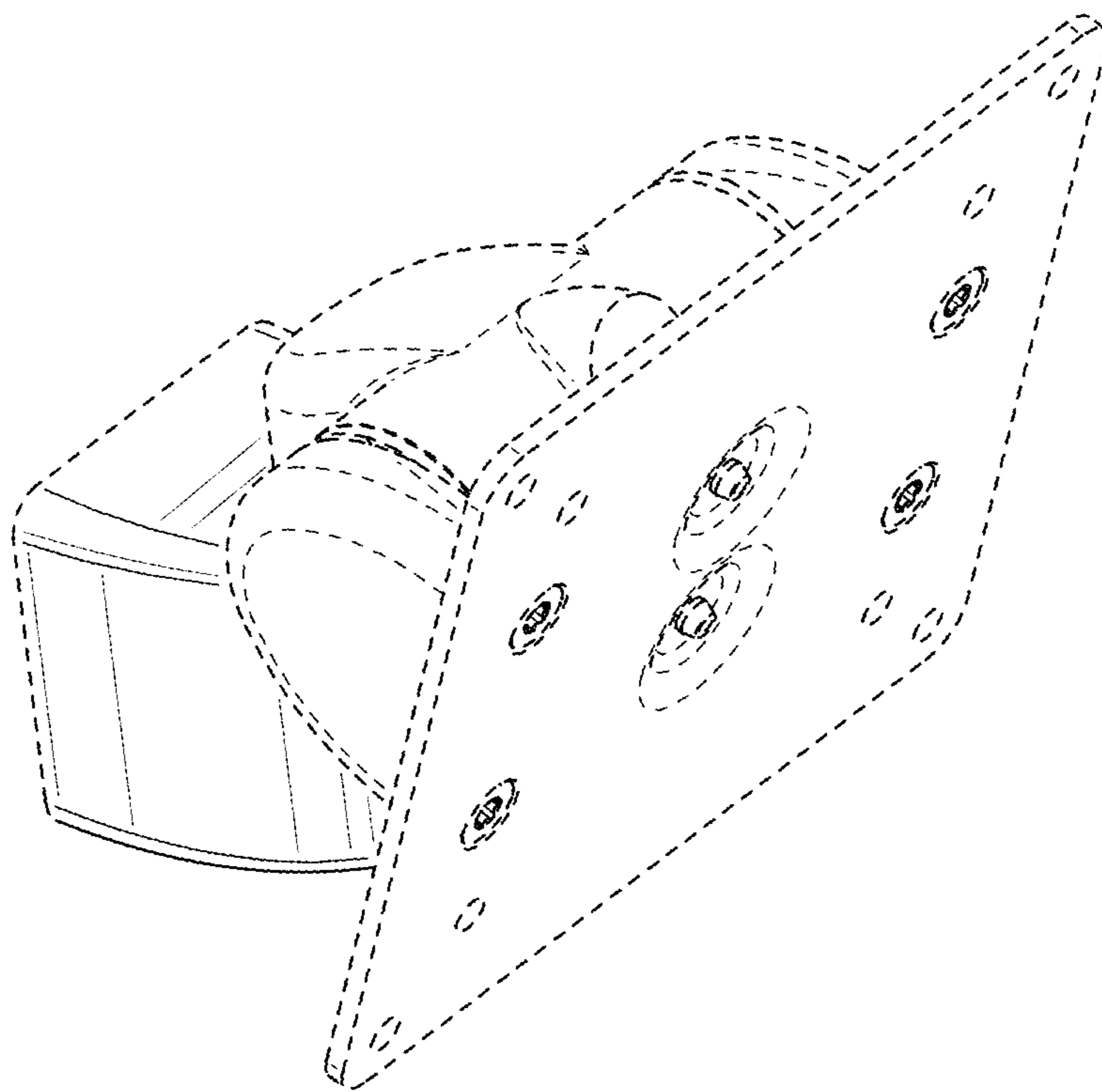


FIG. 9

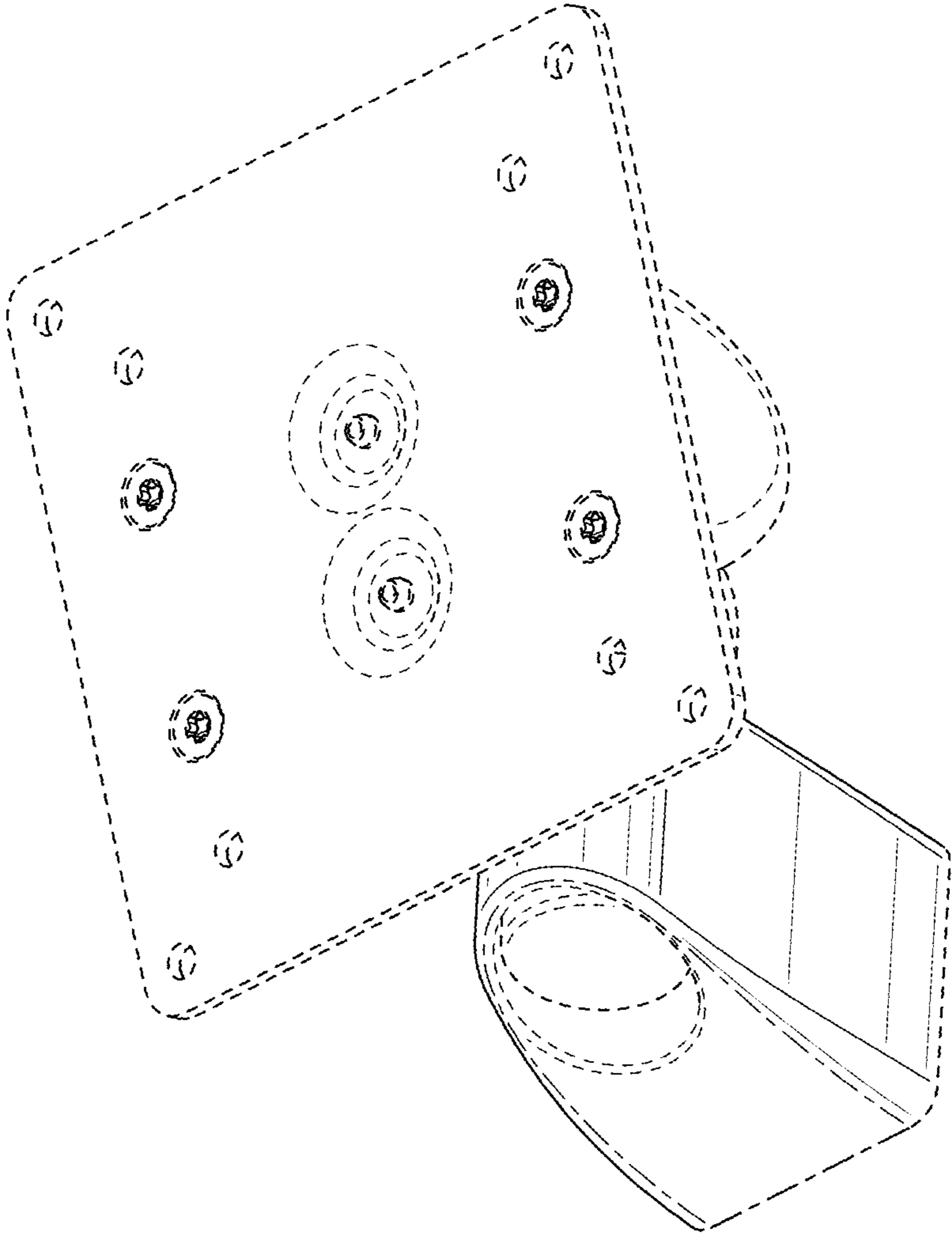


FIG. 10

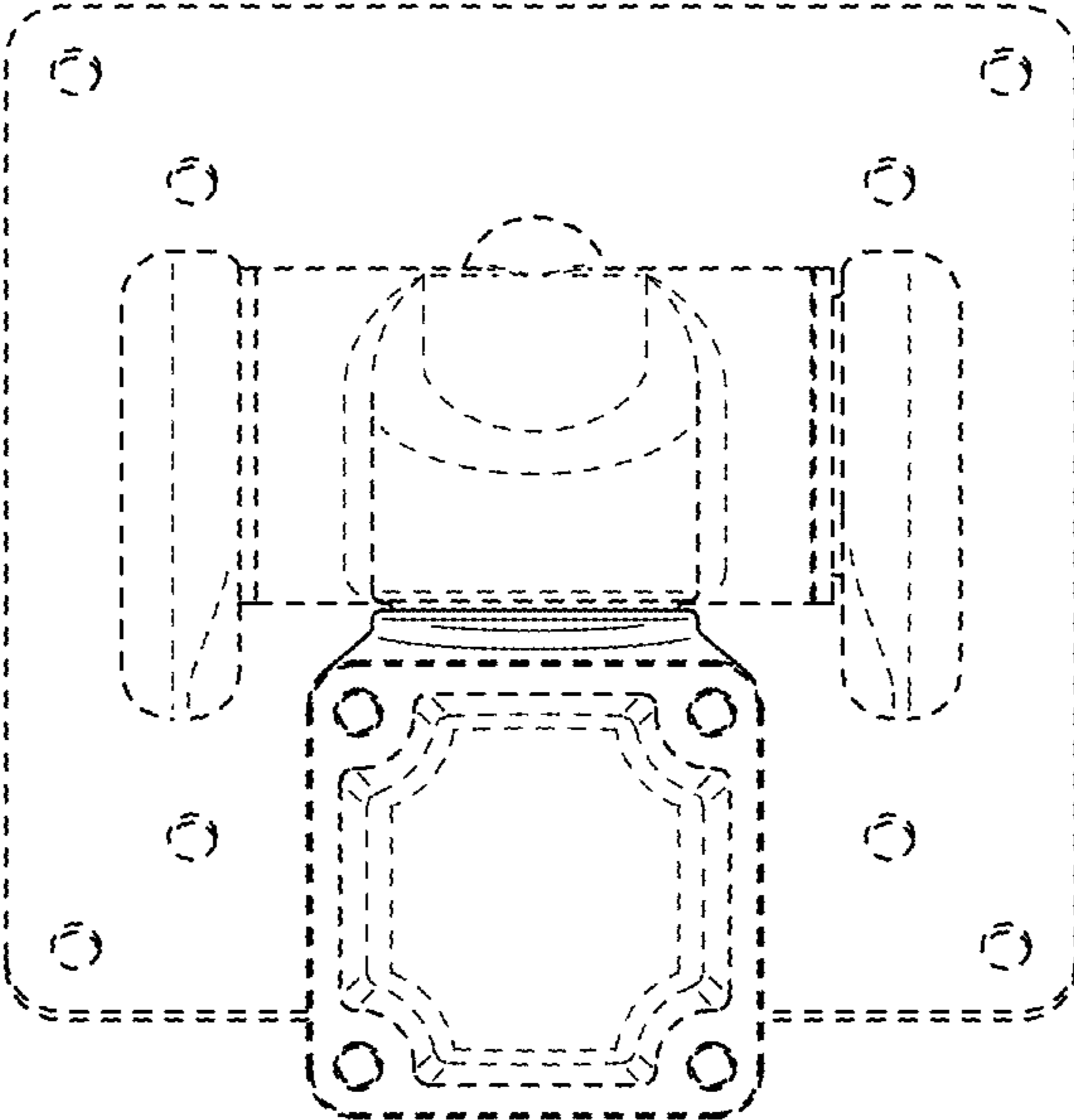


FIG. 11

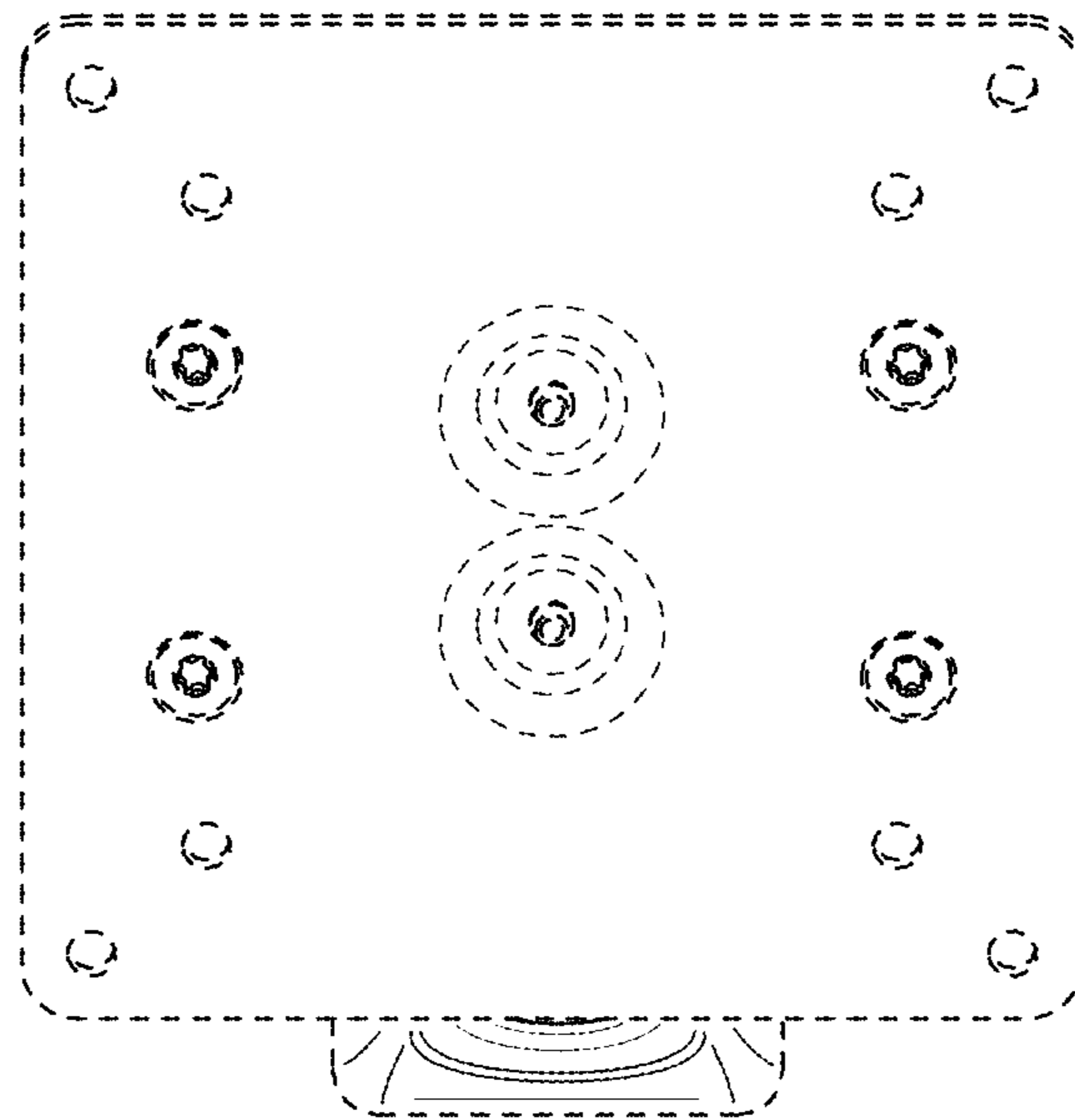


FIG. 12



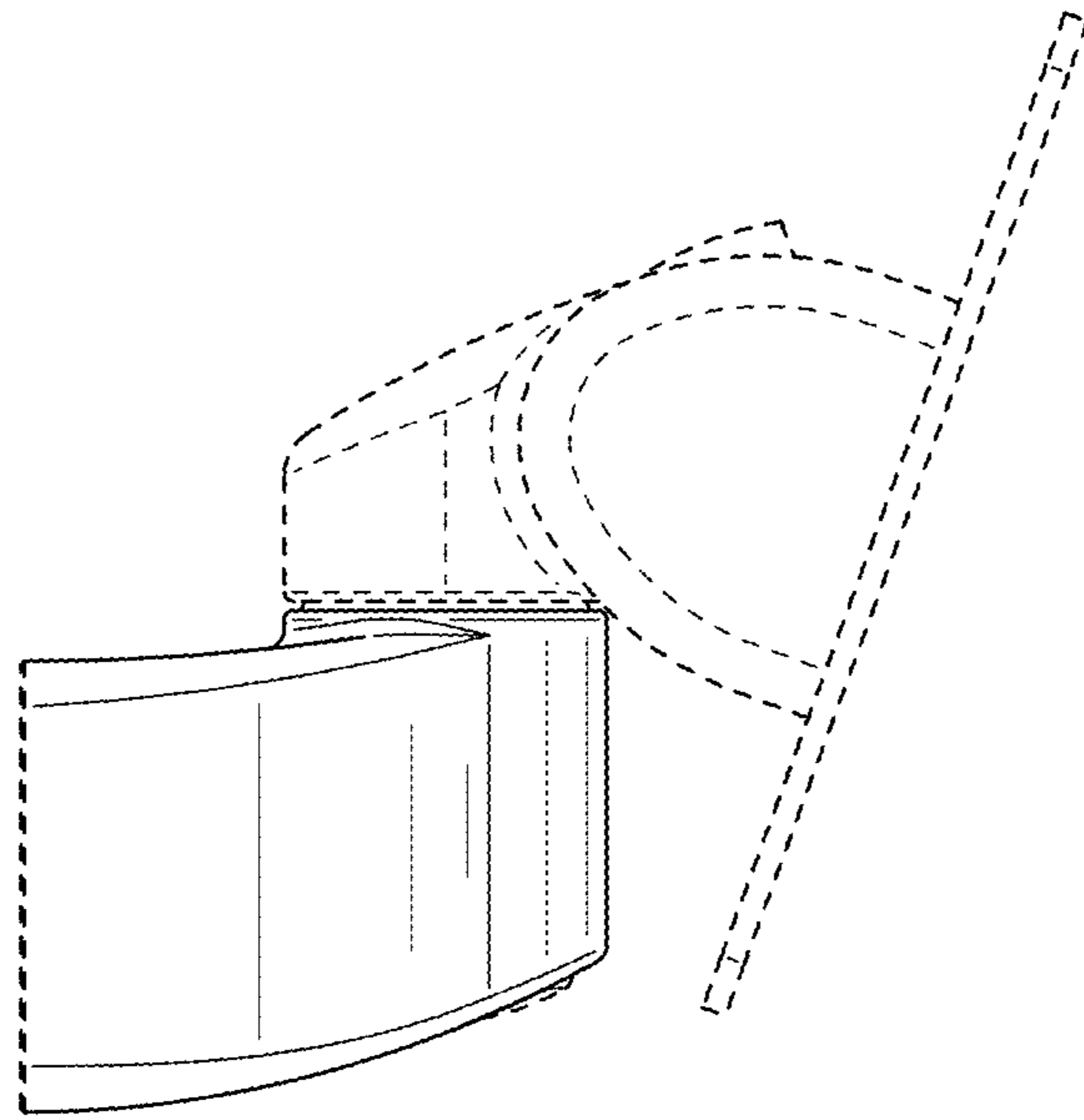


FIG. 13

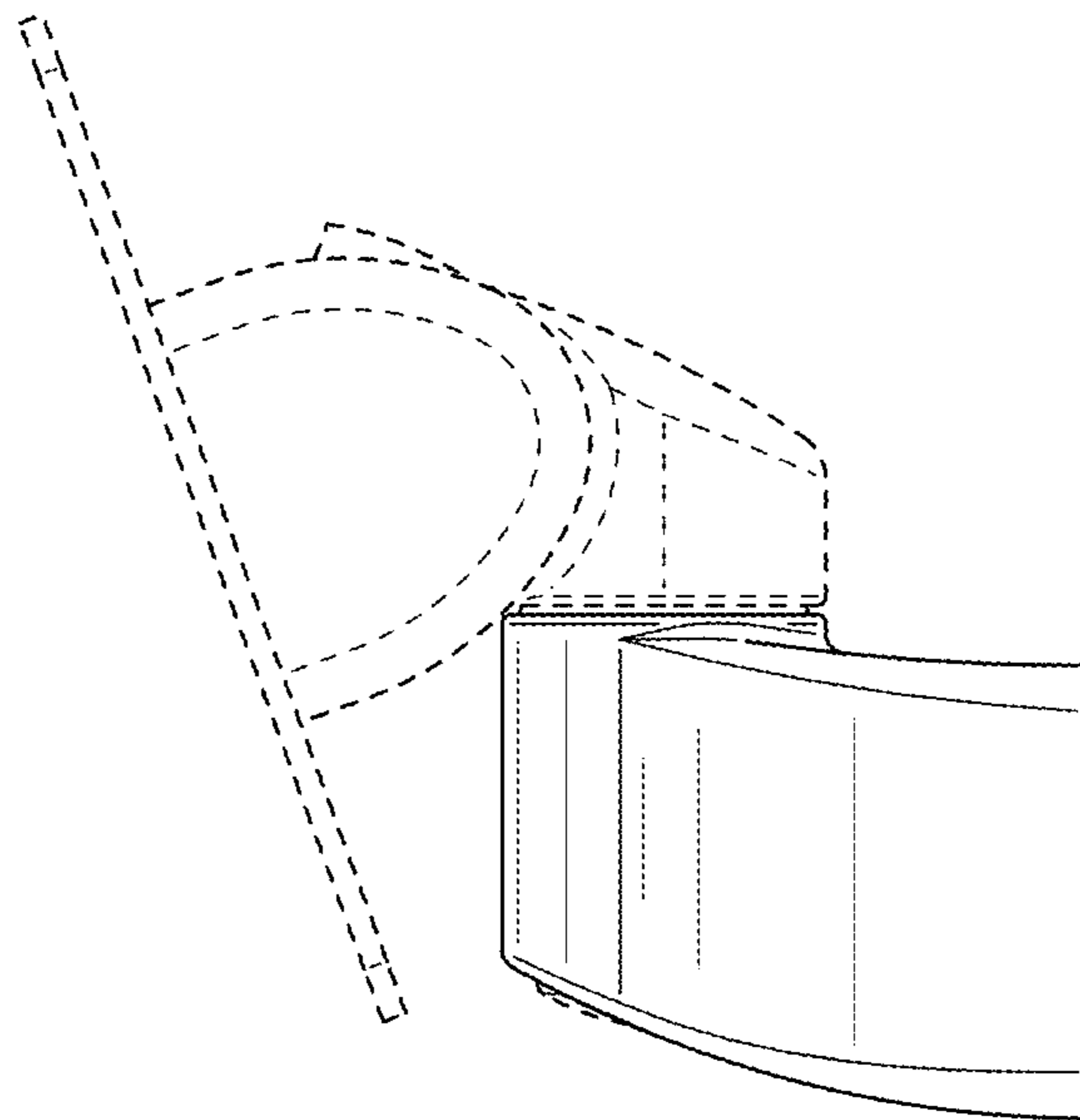


FIG. 14

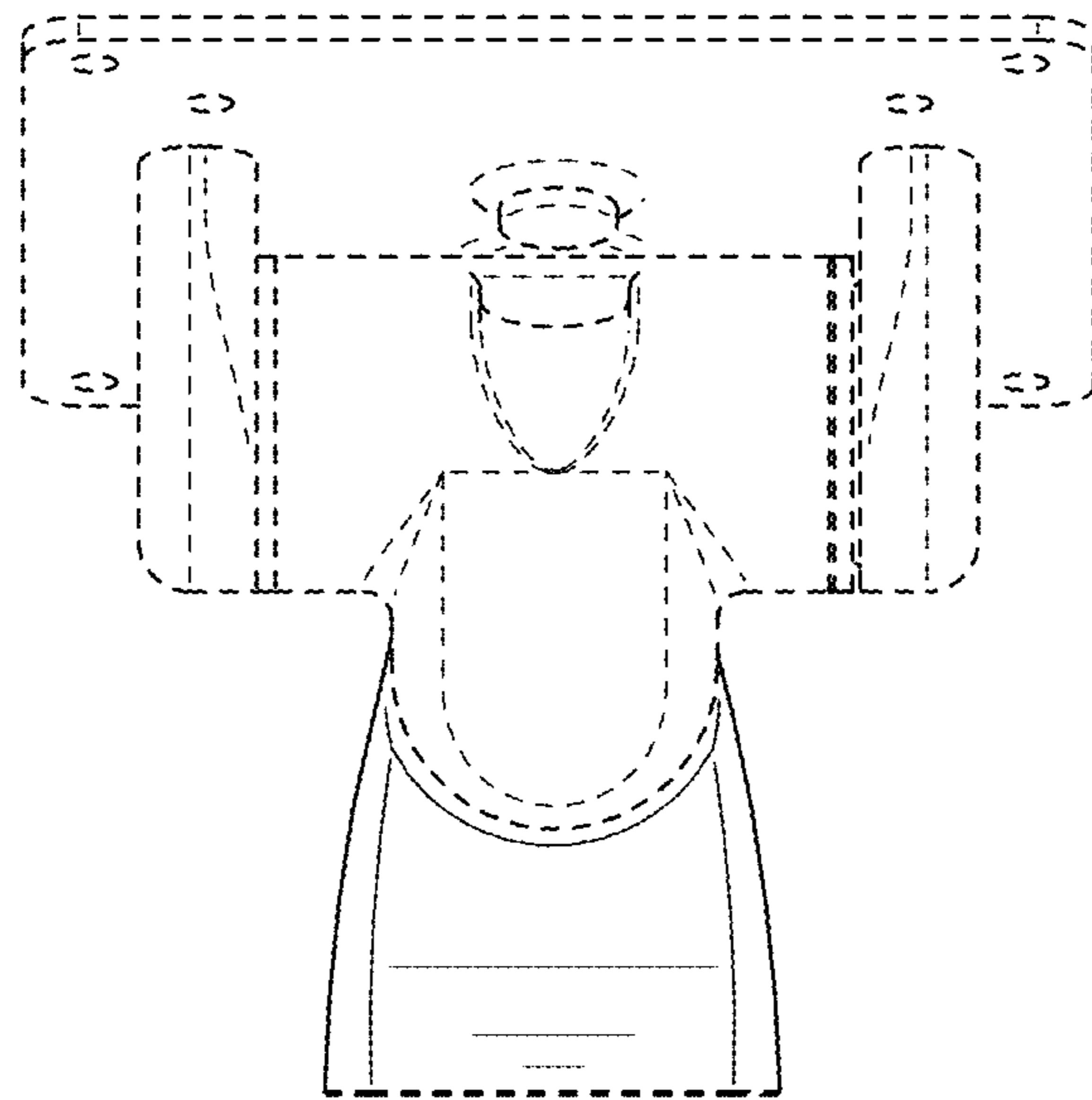


FIG. 15

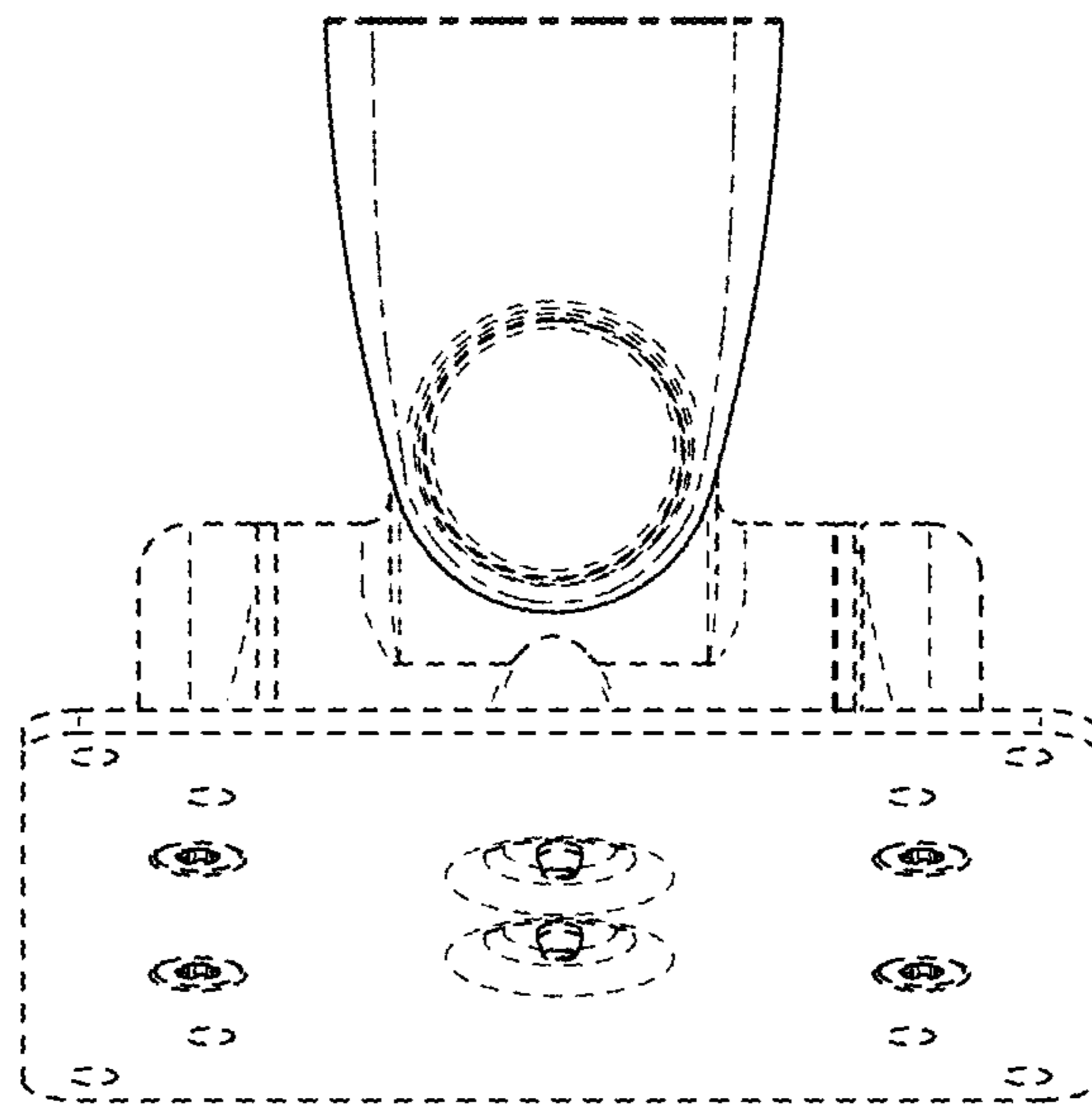


FIG. 16

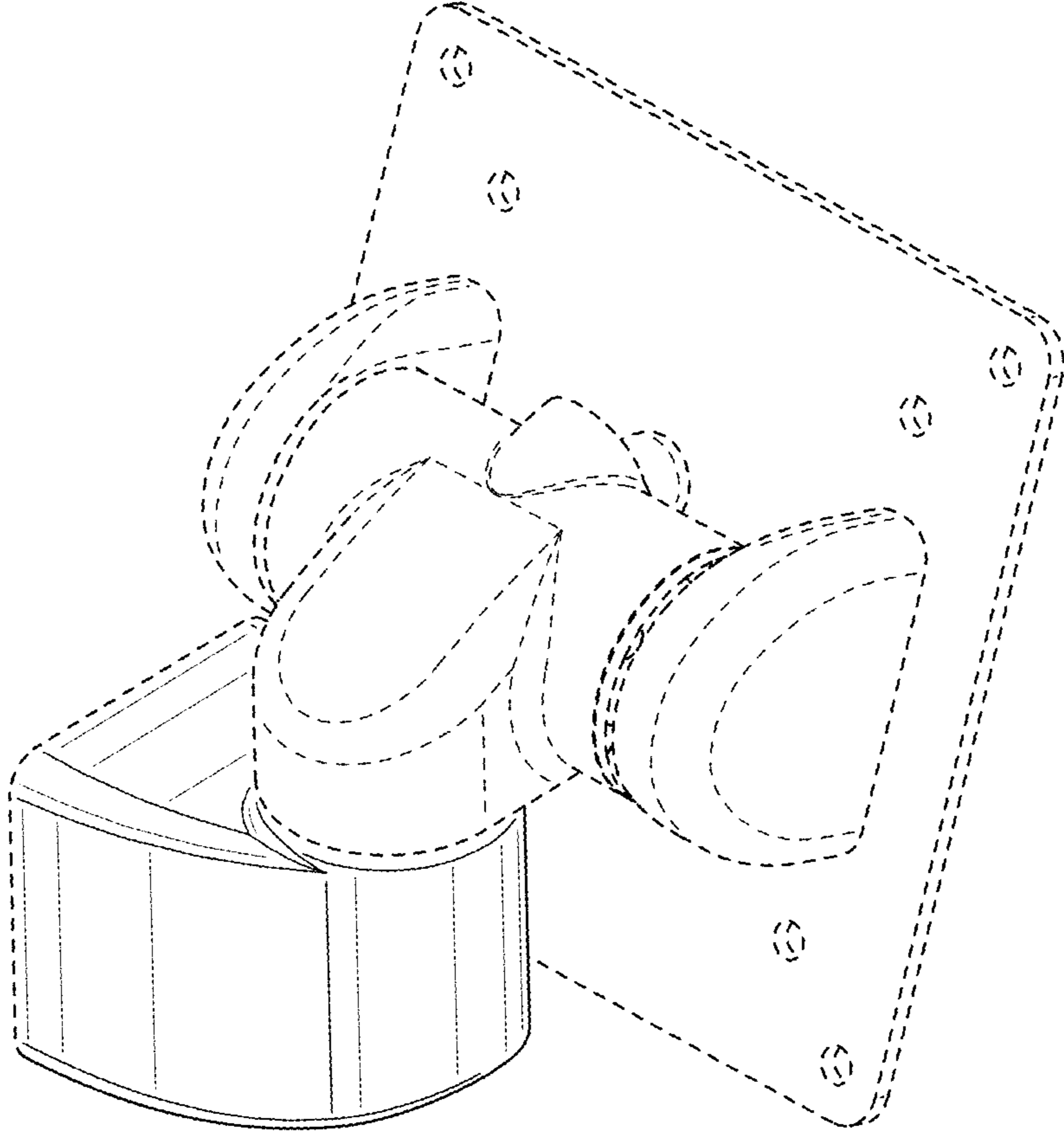


FIG. 17

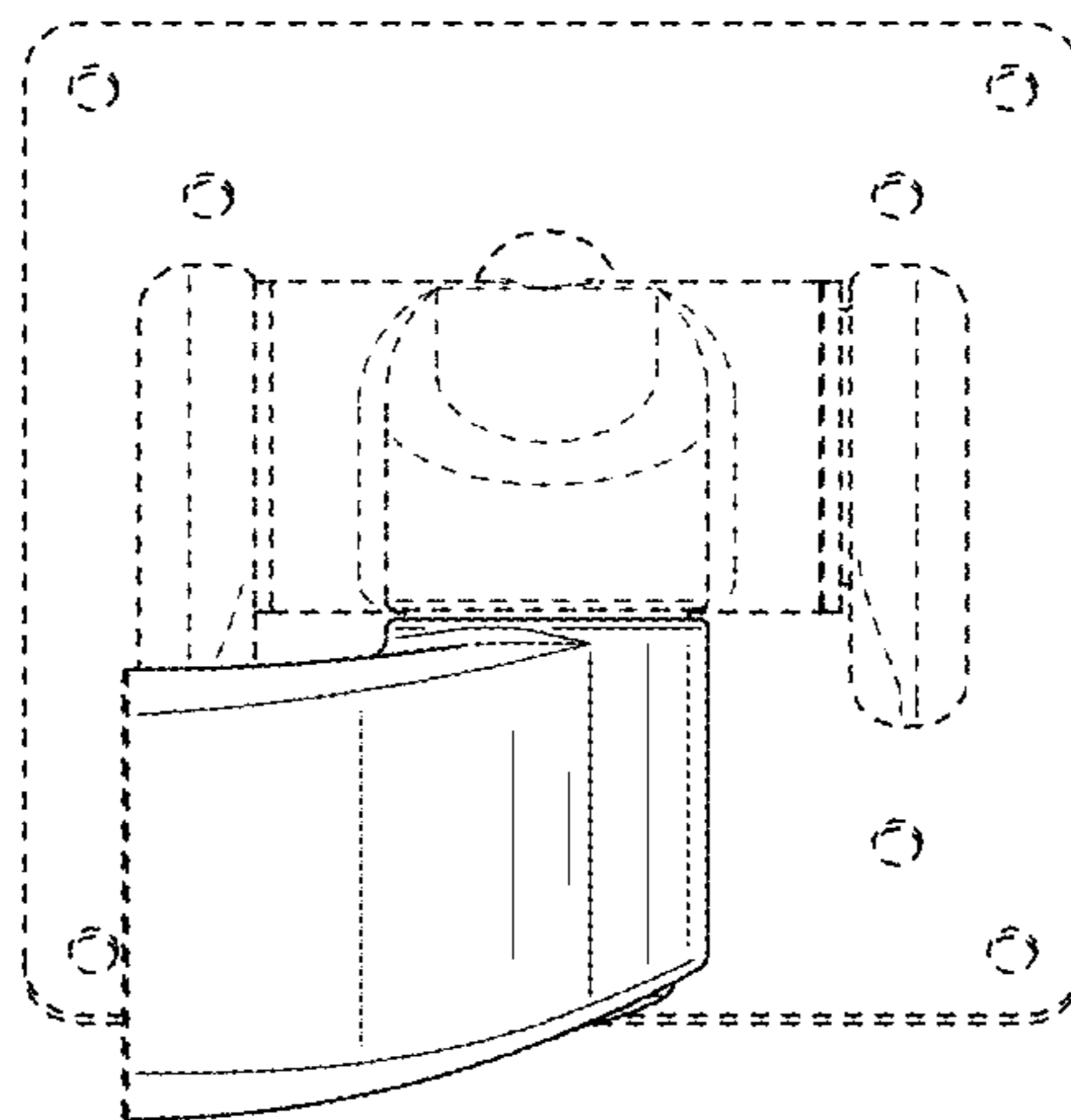


FIG. 18



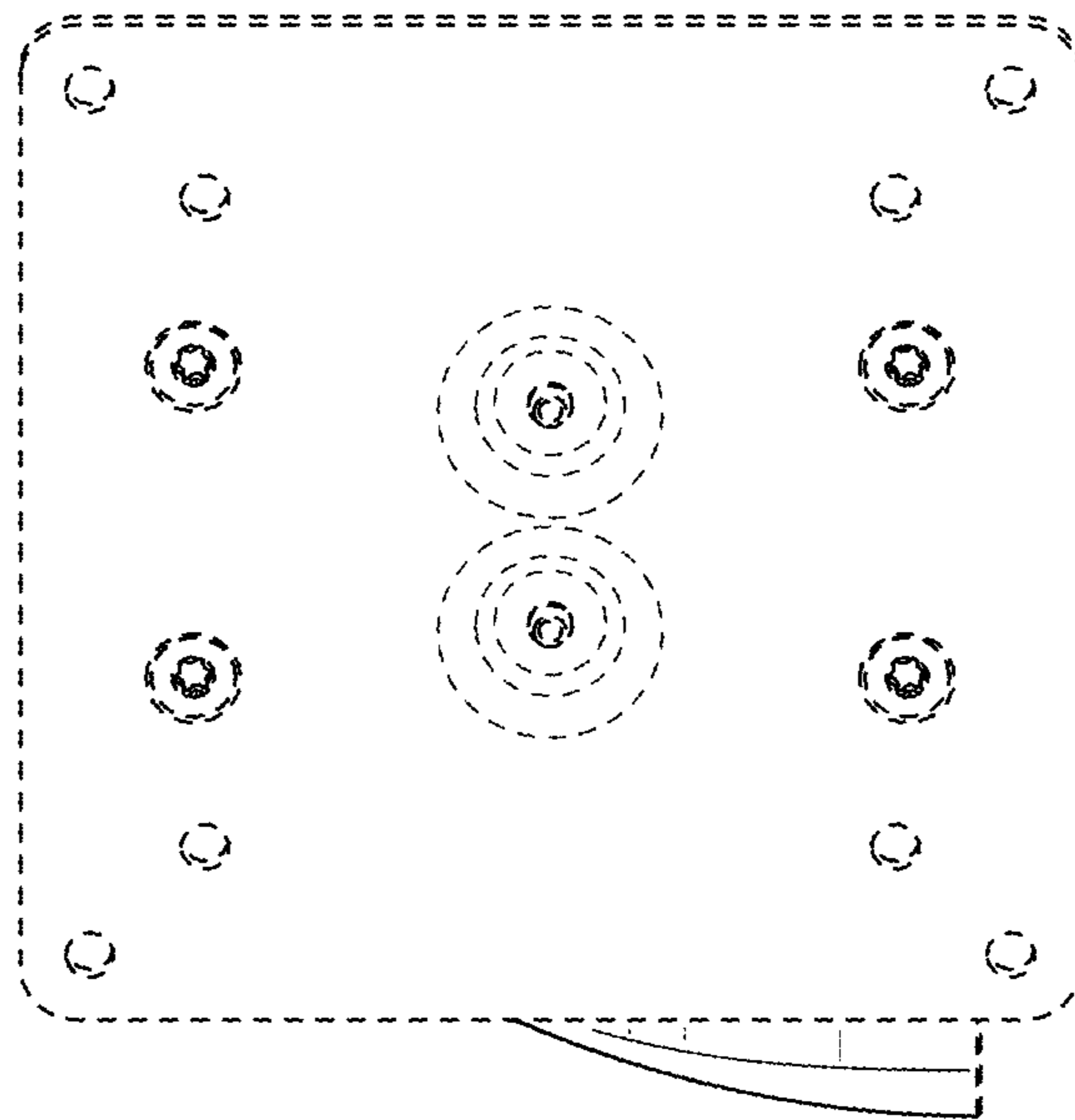


FIG. 19

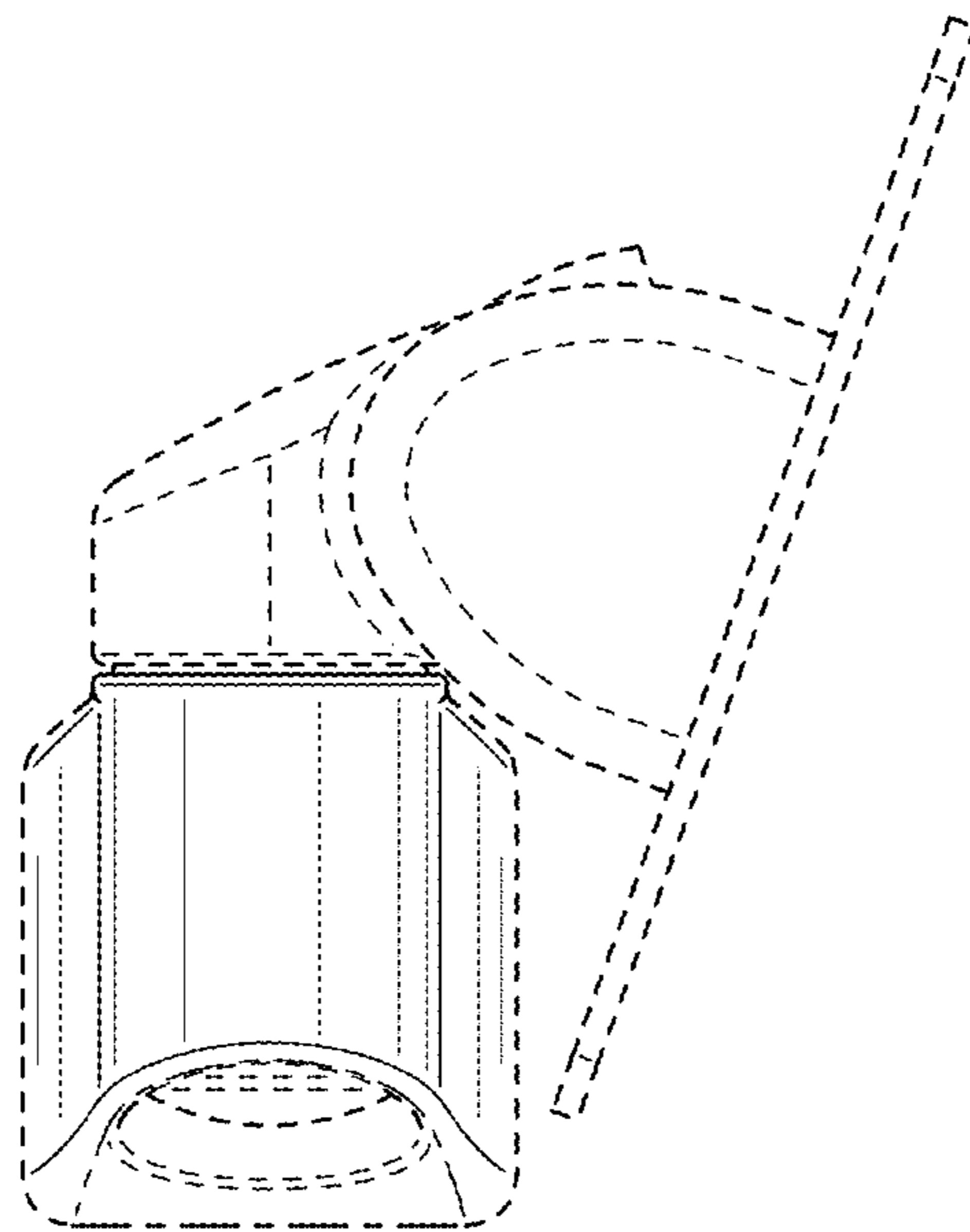


FIG. 20

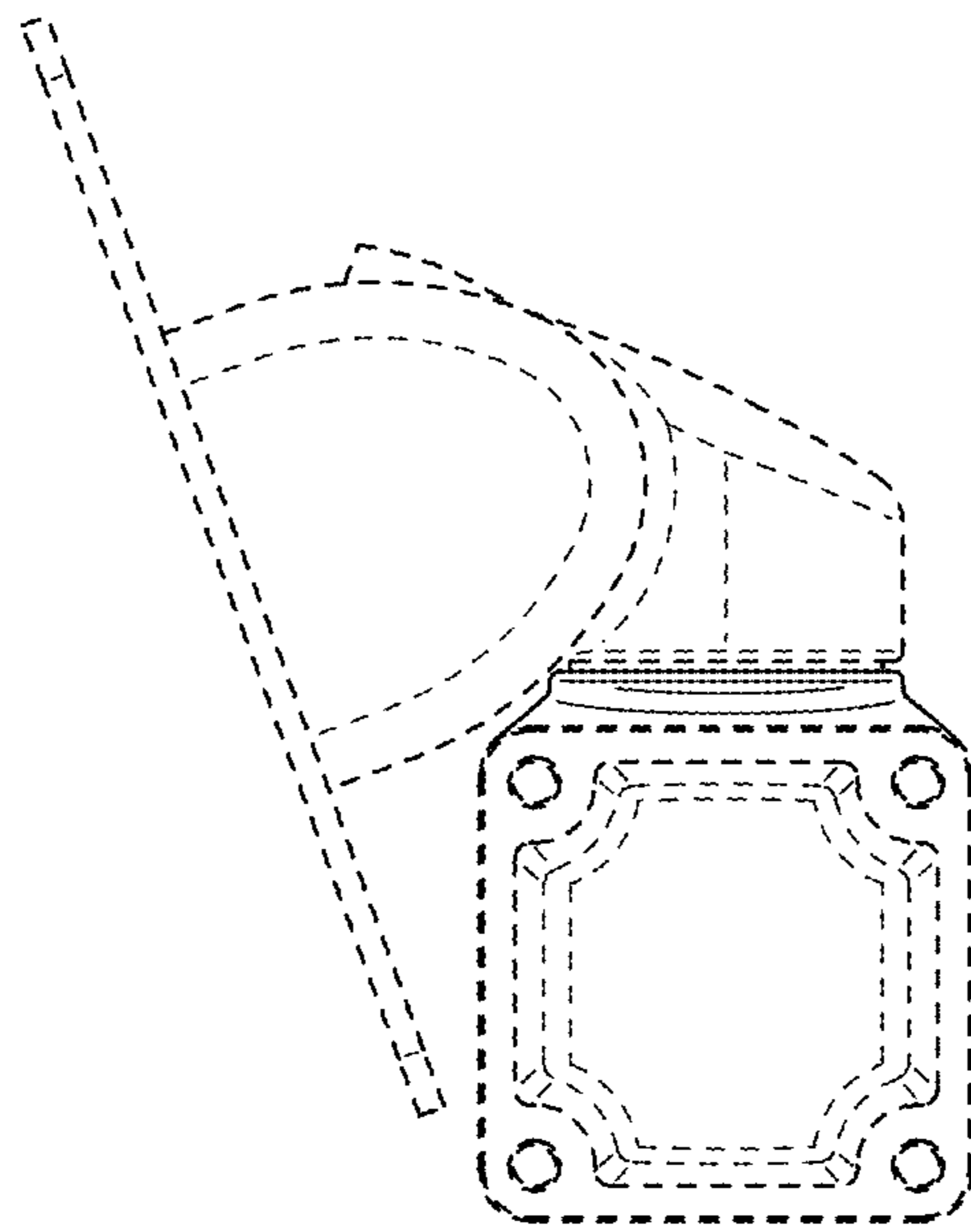


FIG. 21

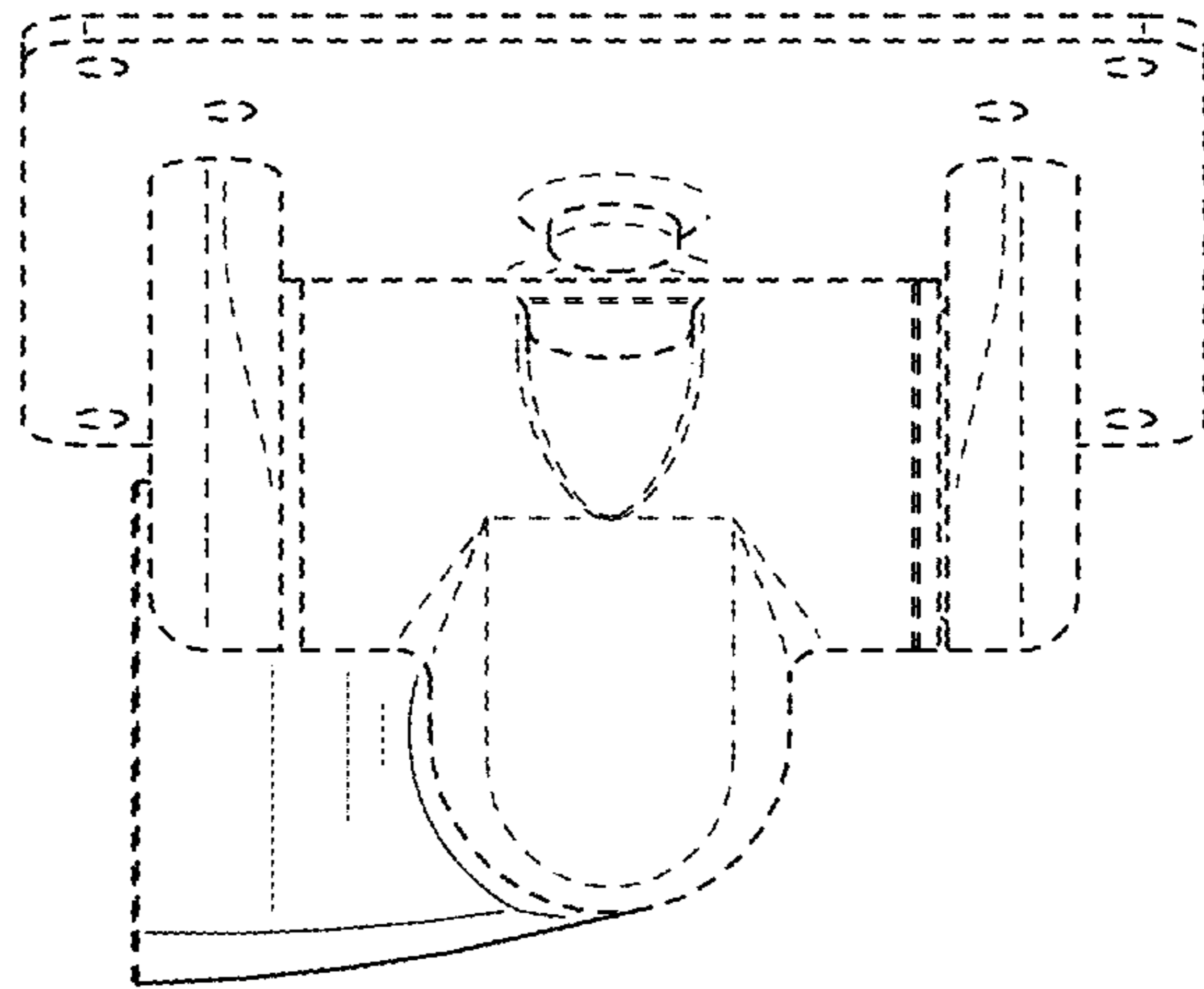


FIG. 22

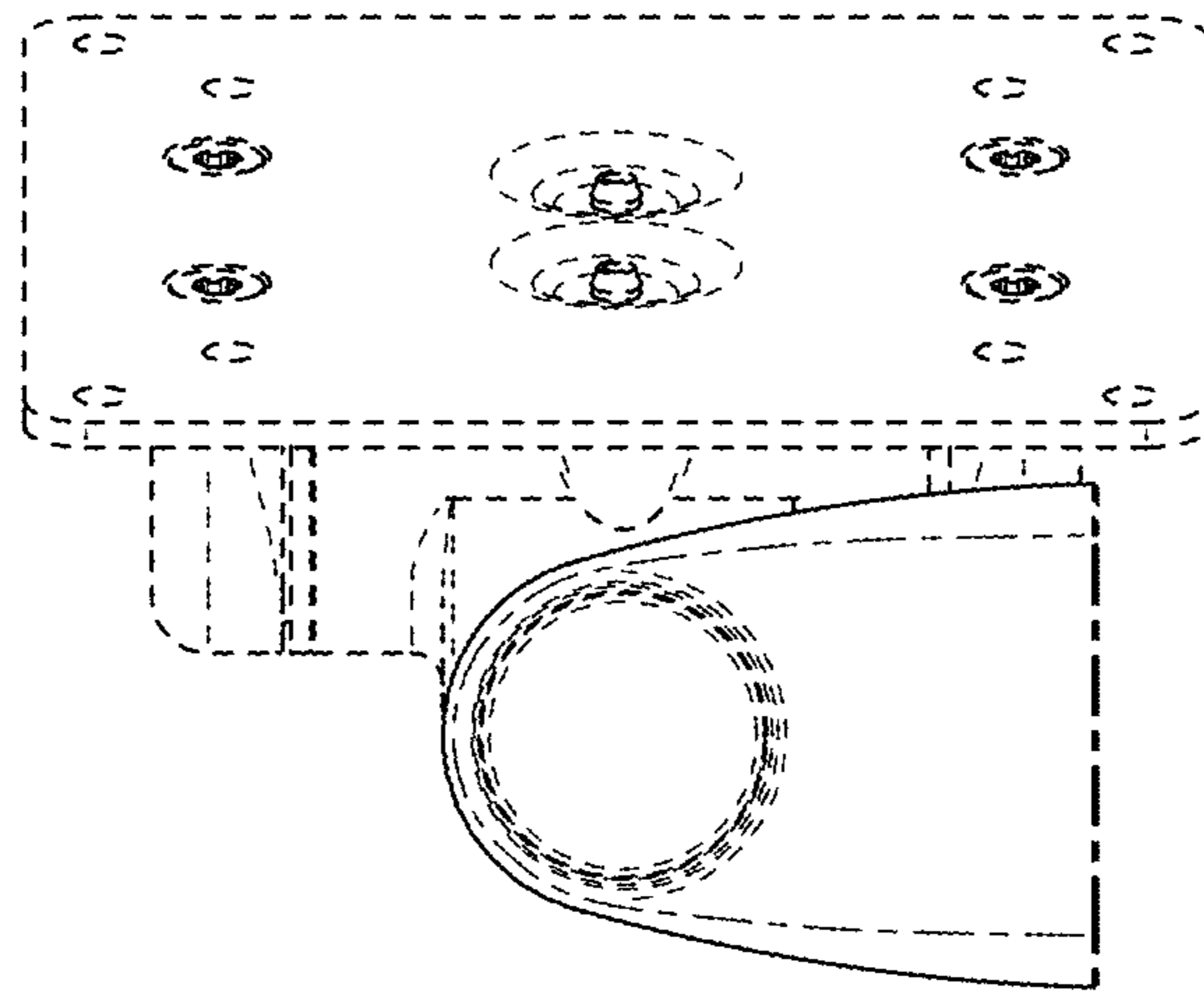


FIG. 23