



US00D772235S

(12) **United States Design Patent**
McGrath et al.

(10) **Patent No.:** **US D772,235 S**

(45) **Date of Patent:** **** Nov. 22, 2016**

- (54) **RISING PLATFORM**
- (71) Applicant: **Google Inc.**, Mountain View, CA (US)
- (72) Inventors: **Lachlan McGrath**, Cupertino, CA (US); **Bennett J. Mathews**, San Francisco, CA (US); **Ronald Wallis Cooper**, St. Paul, NM (US)
- (73) Assignee: **GOOGLE INC.**, Mountain View, CA (US)

D489,924 S *	5/2004	Luong	D14/447
D494,184 S *	8/2004	Lauzon	D14/452
D555,657 S *	11/2007	Loyd	D14/452
D589,964 S *	4/2009	Heggland	D14/434
D625,934 S *	10/2010	Smith	D6/406.2
D643,042 S *	8/2011	Saelid	D14/452
D674,805 S *	1/2013	Vincent	D14/447
D723,571 S *	3/2015	Feng	D14/447
2012/0206867 A1 *	8/2012	Pence	F16M 11/041 361/679.01
2013/0152828 A1 *	6/2013	Chavira	A47B 85/06 108/12
2014/0151517 A1 *	6/2014	Mapes	F16M 11/2078 248/124.2

(**) Term: **14 Years**

* cited by examiner

(21) Appl. No.: **29/507,955**

Primary Examiner — Angela J Lee

(22) Filed: **Oct. 31, 2014**

(74) *Attorney, Agent, or Firm* — Leason Ellis LLP

(51) **LOC (10) Cl.** **08-07**

(57) **CLAIM**

(52) **U.S. Cl.**
USPC **D14/447**

The ornamental design for a rising platform, as shown and described.

(58) **Field of Classification Search**
USPC D14/447, 432, 434, 439, 440, 451, 452,
D14/457, 239; D12/415; D6/406.3, 406.4,
D6/406.5, 406.6; D8/363, 373, 380
CPC F16M 2200/00; F16M 13/00; A45C
2011/003; A45C 2011/002; A47B 2023/049;
A47B 2097/005; A47B 2097/006; A47B
21/04

DESCRIPTION

See application file for complete search history.

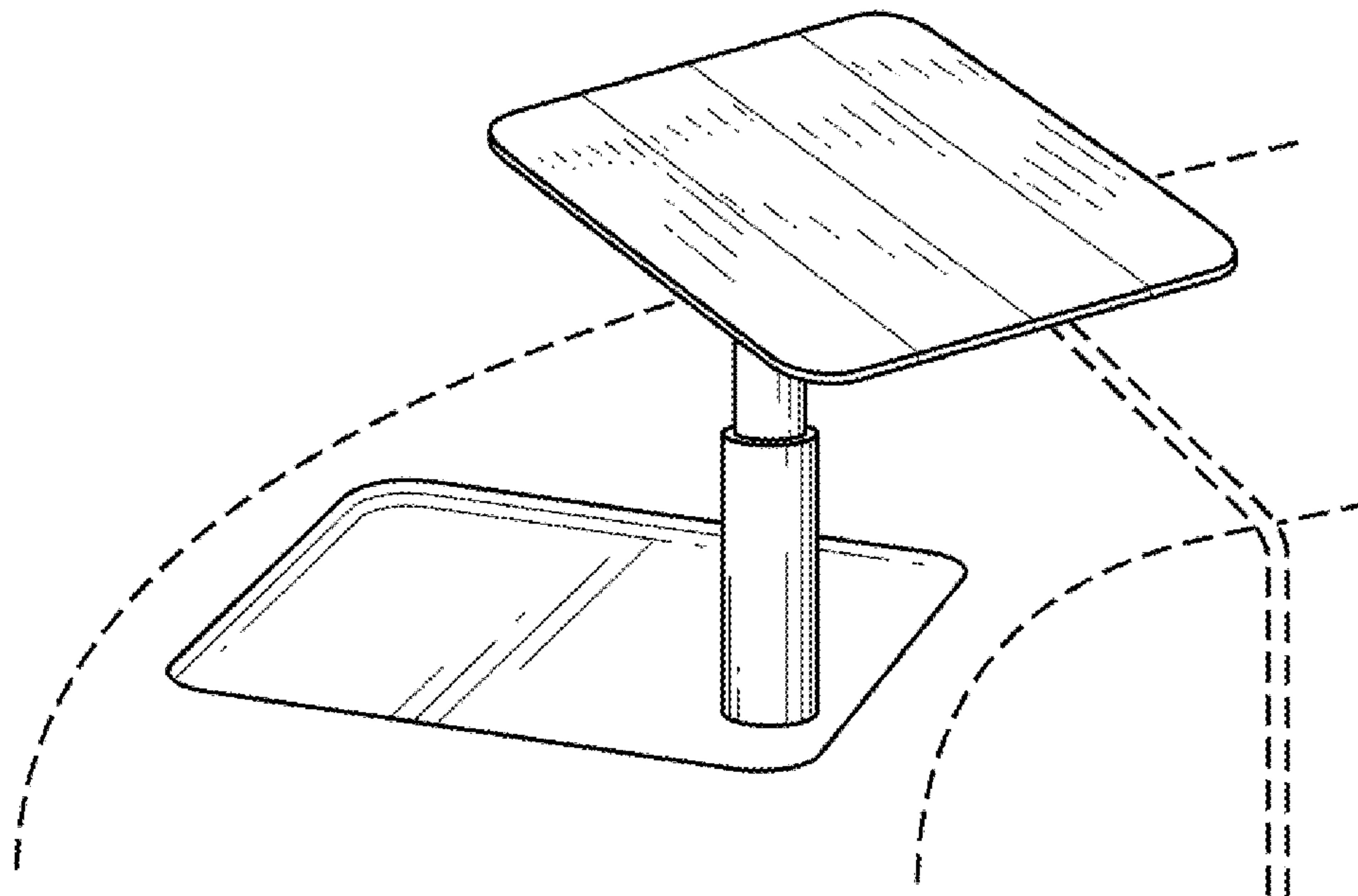
FIG. 1 is a perspective view of a rising platform having a top surface according to a first embodiment of our new design in a first position;
FIG. 2 is a perspective view of the rising platform according to the first embodiment in a second position which is raised and rotated relative to the first position;
FIG. 3 is top plan view of FIG. 2;
FIG. 4 is one side view of FIG. 3; and,
FIG. 5 is a second side view taken 180 degrees from FIG. 4.
The dash-dash broken lines illustrate environmental structure and form no part of the claimed design.

(56) **References Cited**

U.S. PATENT DOCUMENTS

D363,065 S *	10/1995	Karten	D14/452
D415,635 S *	10/1999	Bengtsson	D6/656.15

1 Claim, 3 Drawing Sheets



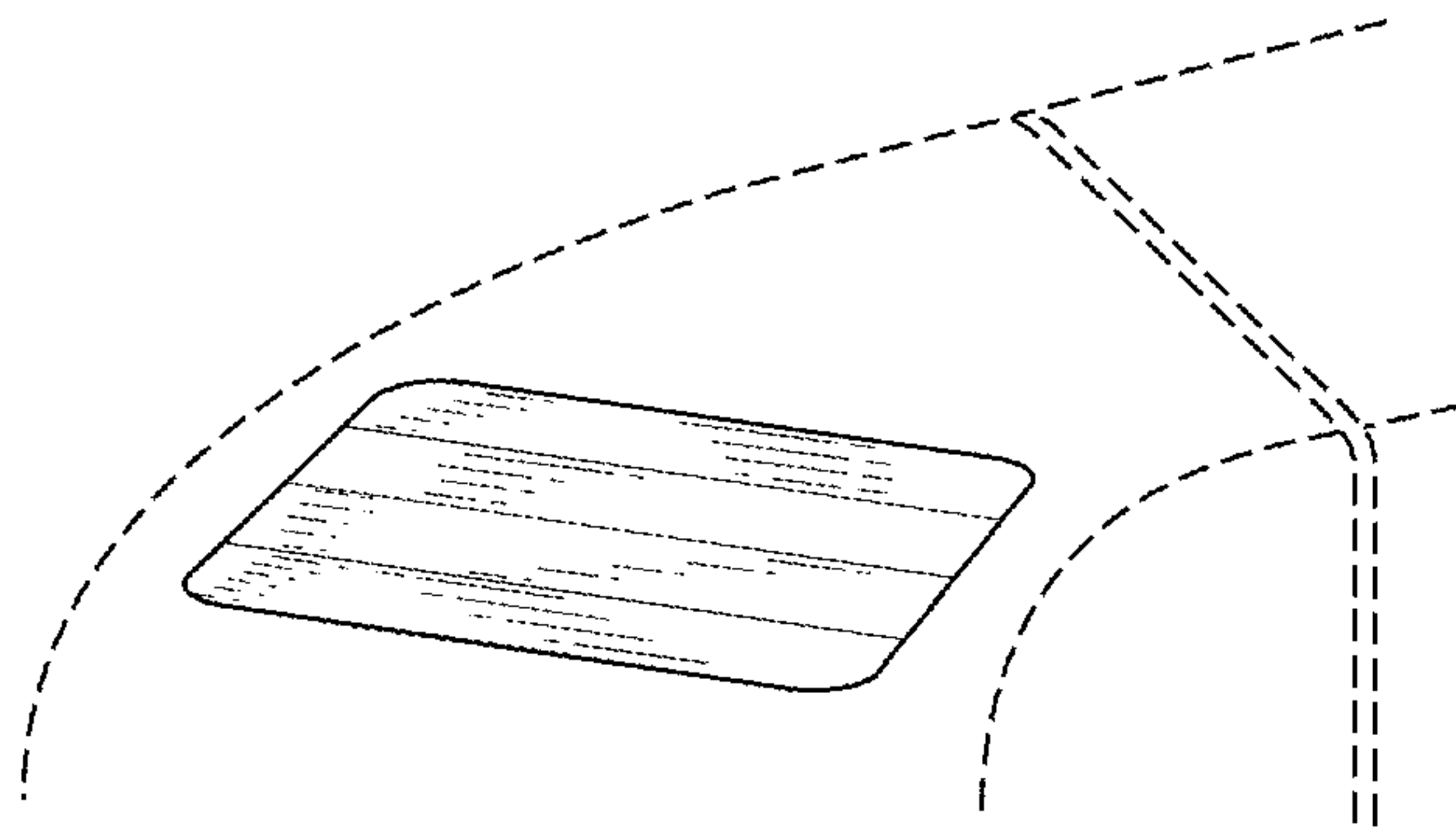


Fig. 1

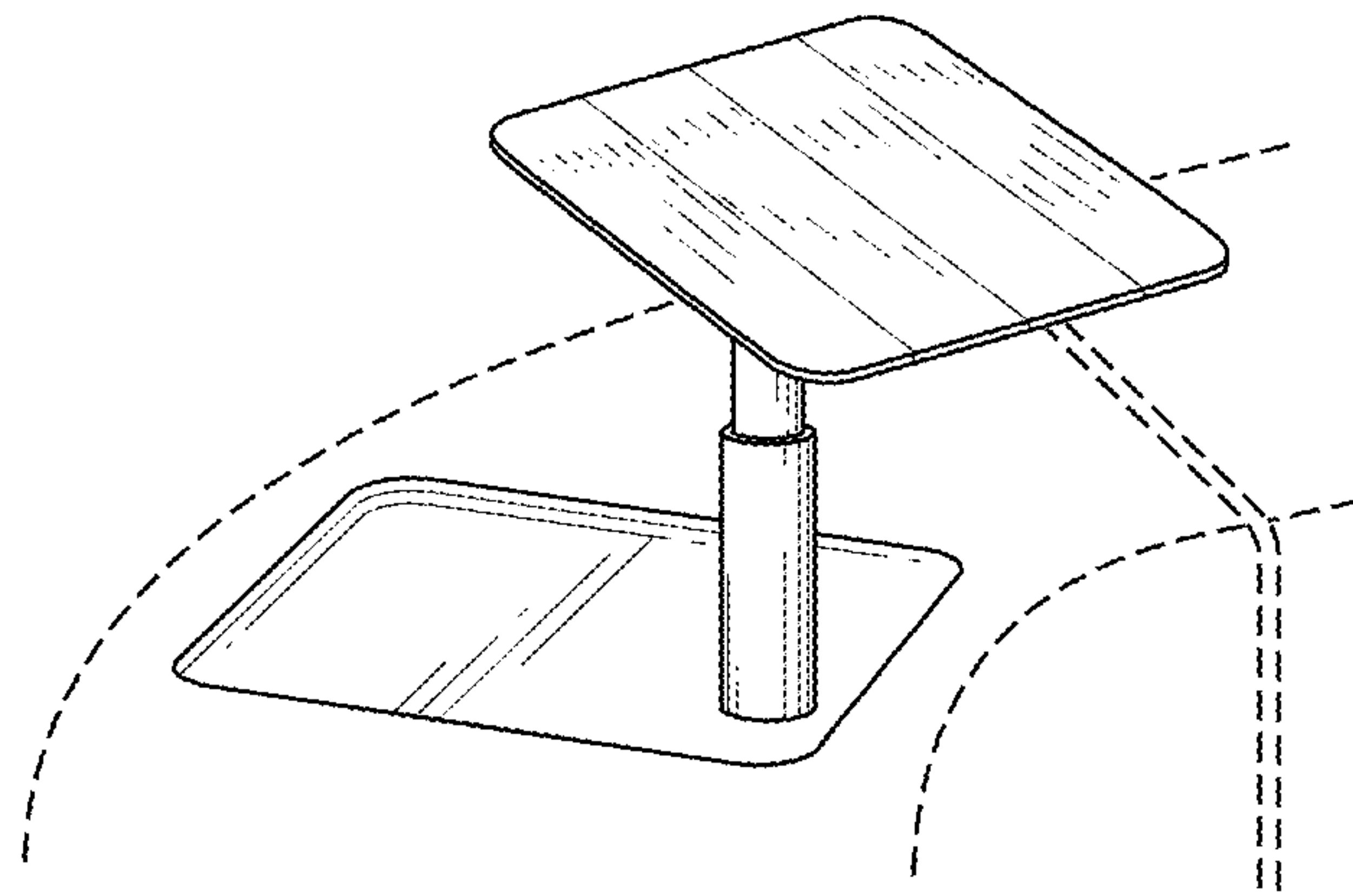


Fig. 2

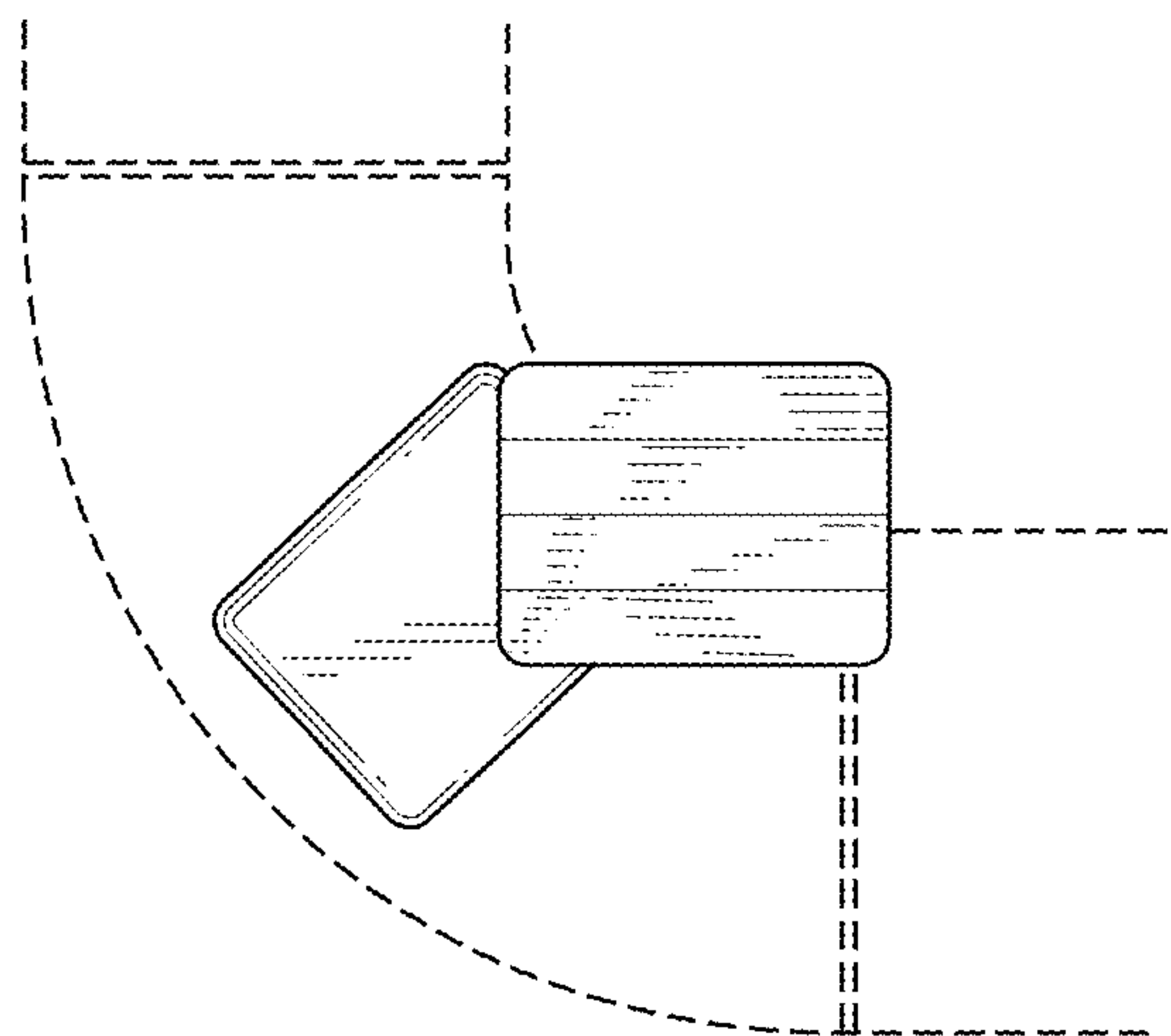


Fig. 3

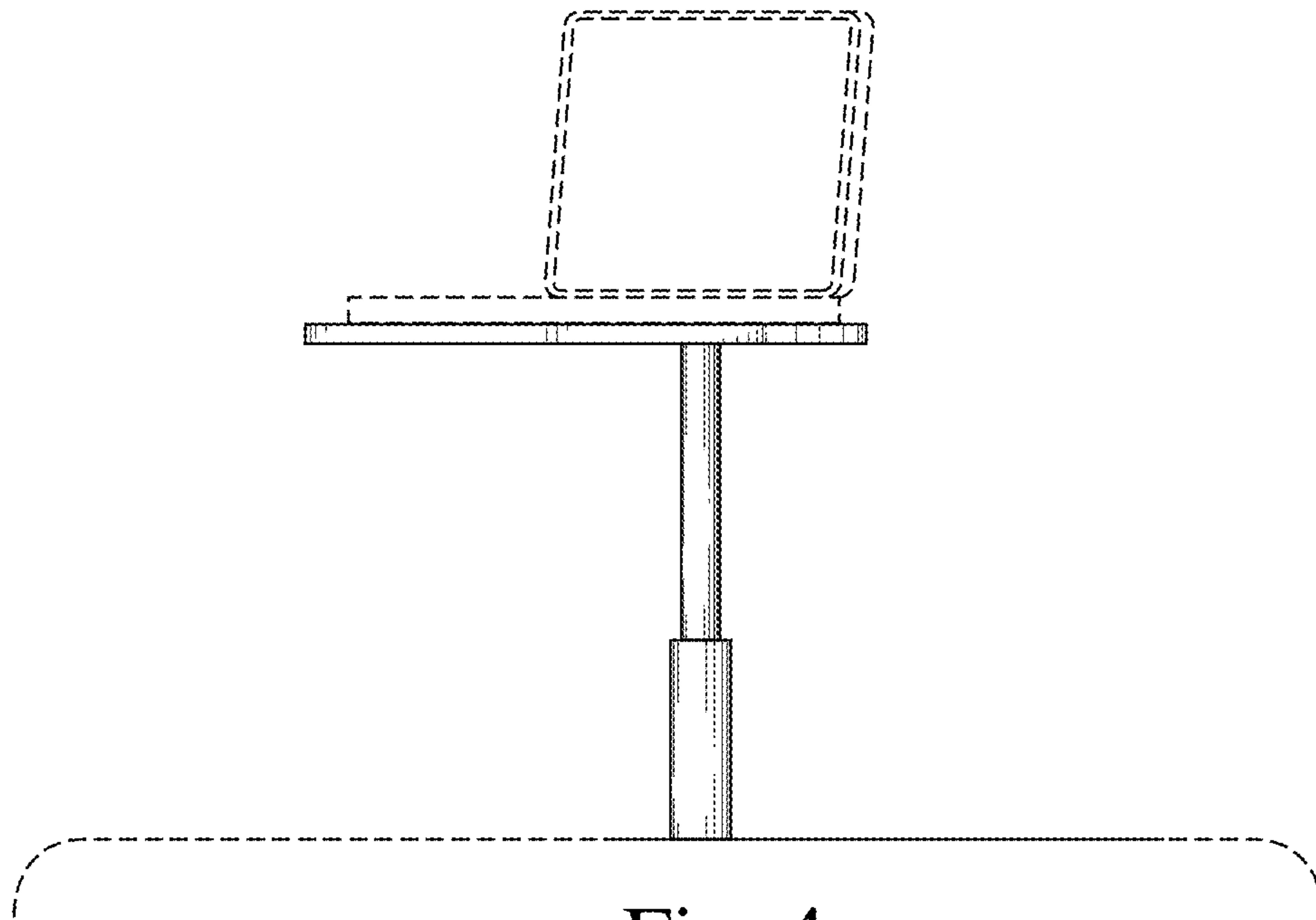


Fig. 4

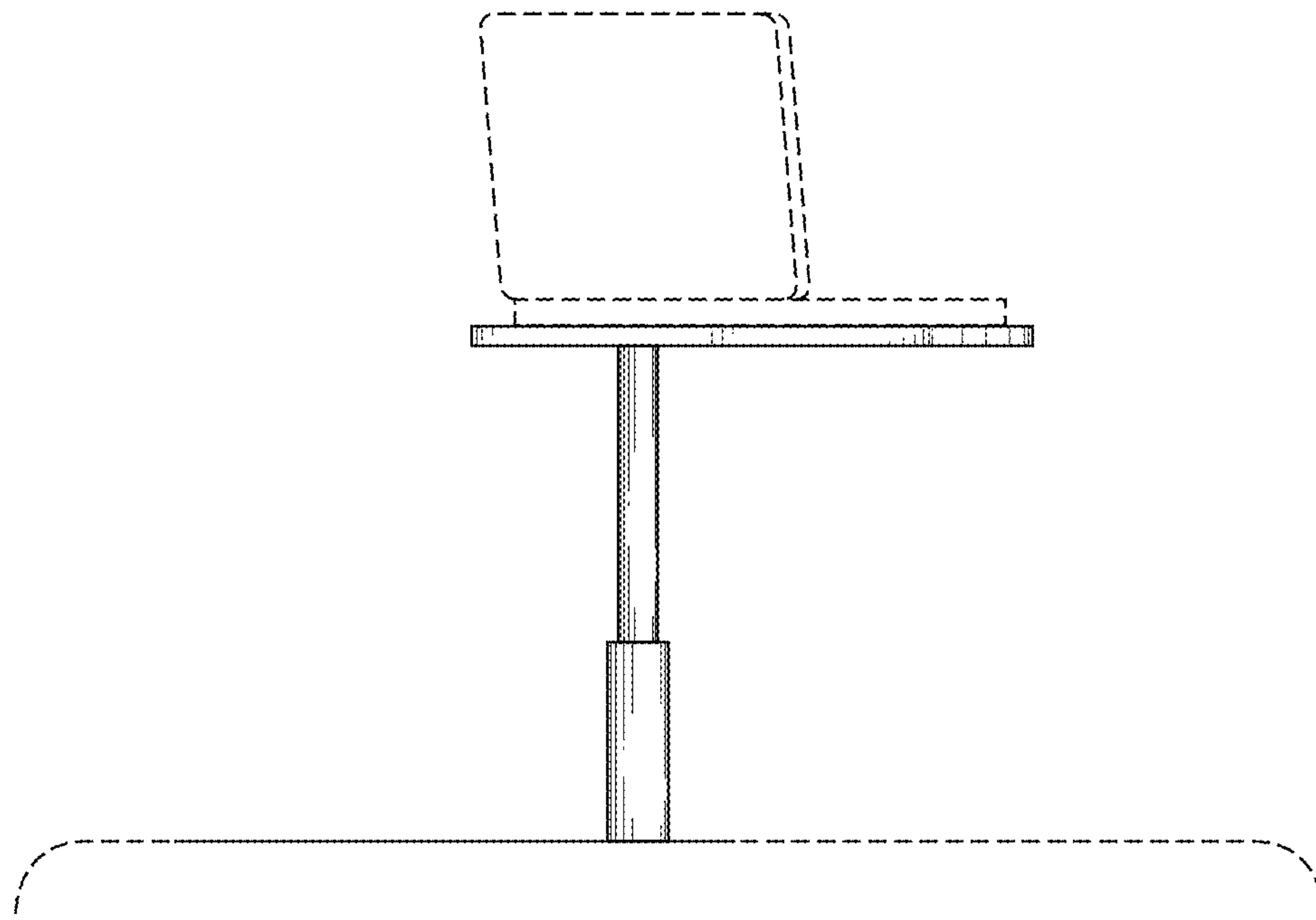


Fig. 5