



US00D772234S

(12) **United States Design Patent** (10) **Patent No.:** **US D772,234 S**  
**Massucco et al.** (45) **Date of Patent:** **\*\* Nov. 22, 2016**

- (54) **FOLDABLE FRONT COVER FOR ELECTRONIC DEVICE**
- (71) Applicant: **HTC CORPORATION**, Taoyuan (TW)
- (72) Inventors: **Michael Ross Massucco**, San Francisco, CA (US); **Hannes Jens Dieter Harms**, San Francisco, CA (US); **Daniel Hundt**, San Francisco, CA (US); **Gene Woo Nam**, San Francisco, CA (US)
- (73) Assignee: **HTC CORPORATION**, Taoyuan (TW)
- (\*\*) Term: **14 Years**
- (21) Appl. No.: **29/517,602**
- (22) Filed: **Feb. 13, 2015**

**Related U.S. Application Data**

- (63) Continuation of application No. 29/494,937, filed on Jun. 25, 2014, now Pat. No. Des. 726,192.
- (51) **LOC (10) Cl.** ..... **14-02**
- (52) **U.S. Cl.**  
USPC ..... **D14/440**
- (58) **Field of Classification Search**  
USPC ..... D14/250, 440, 447; 206/45.23, 320, 206/45.2; 361/679.55; 294/25; 224/218; 1/1  
CPC .. G06F 1/1628; G06F 1/1613; G06F 1/1626; A47B 23/044  
See application file for complete search history.

**References Cited**

**U.S. PATENT DOCUMENTS**

1,613,536 A	1/1927	Rose
D230,376 S	2/1974	Andrew
4,259,568 A	3/1981	Dynesen
6,772,879 B1	8/2004	Domotor
7,281,698 B2	10/2007	Patterson, Jr.
7,414,833 B2	8/2008	Kittayapong

7,735,644 B2	6/2010	Sirichai et al.
D658,187 S	4/2012	Diebel
D658,188 S	4/2012	Diebel
D663,304 S	7/2012	Akana et al.
8,230,992 B2	7/2012	Law et al.
8,245,843 B1	8/2012	Wu
D669,889 S *	10/2012	Li ..... D14/248
8,312,991 B2	11/2012	Diebel et al.
D671,745 S *	12/2012	Wyner ..... D3/301
D671,948 S	12/2012	Akana et al.
D672,353 S	12/2012	Liu
D672,781 S	12/2012	Lu
D675,625 S	2/2013	Hasbrook et al.

(Continued)

**FOREIGN PATENT DOCUMENTS**

TW	D148402 S1	8/2012
TW	D158331 S	1/2014

*Primary Examiner* — Cynthia Underwood

(74) *Attorney, Agent, or Firm* — Birch, Stewart, Kolasch & Birch, LLP

(57) **CLAIM**

The ornamental design for foldable front cover for electronic device, as shown and described.

**DESCRIPTION**

FIG. 1 is a front perspective view of a first embodiment of a foldable cover for electronic device in accordance with our new design;

FIG. 2 is a front view thereof;

FIG. 3 is a rear view thereof;

FIG. 4 is a left side view thereof;

FIG. 5 is a right side view thereof;

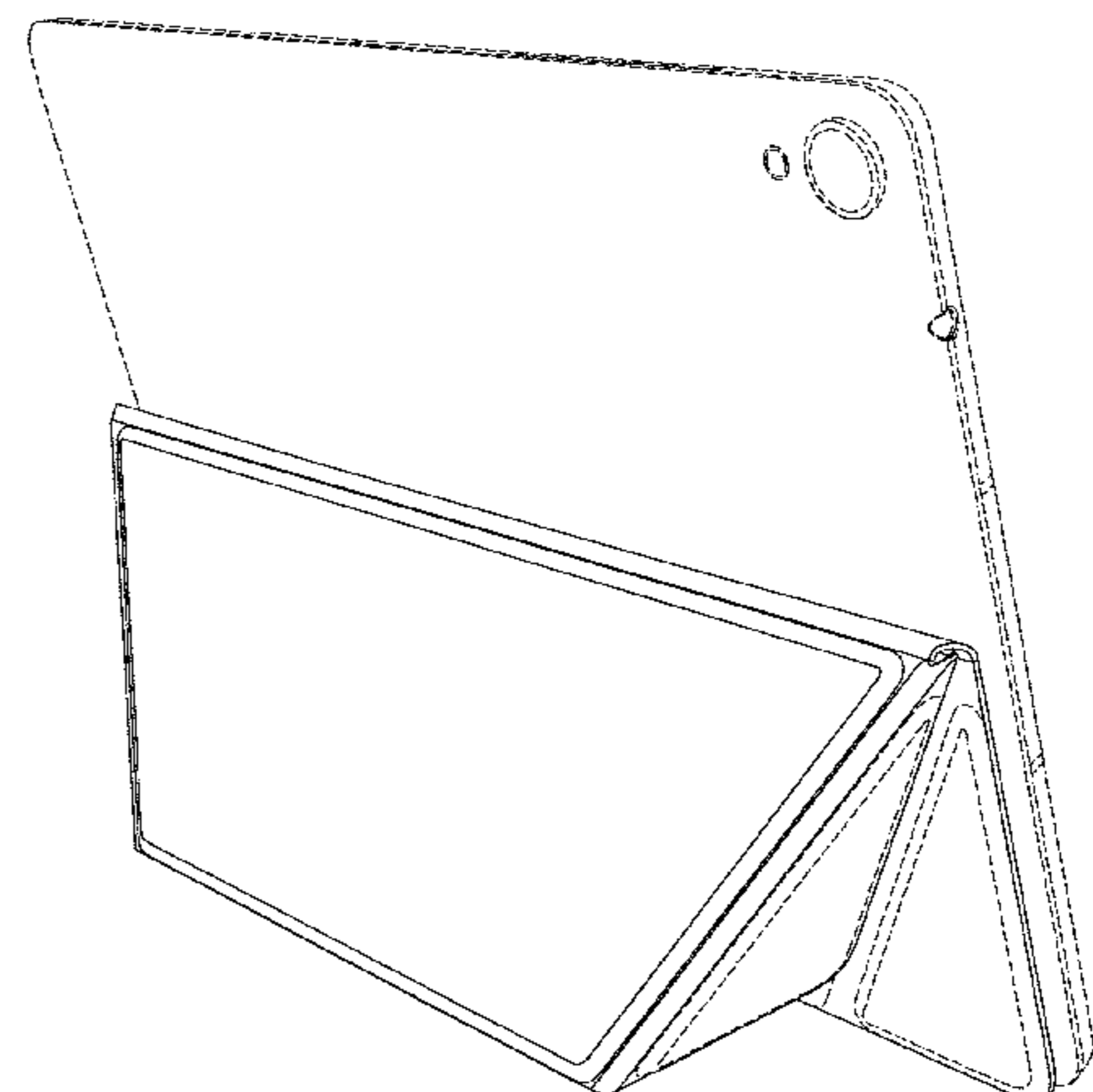
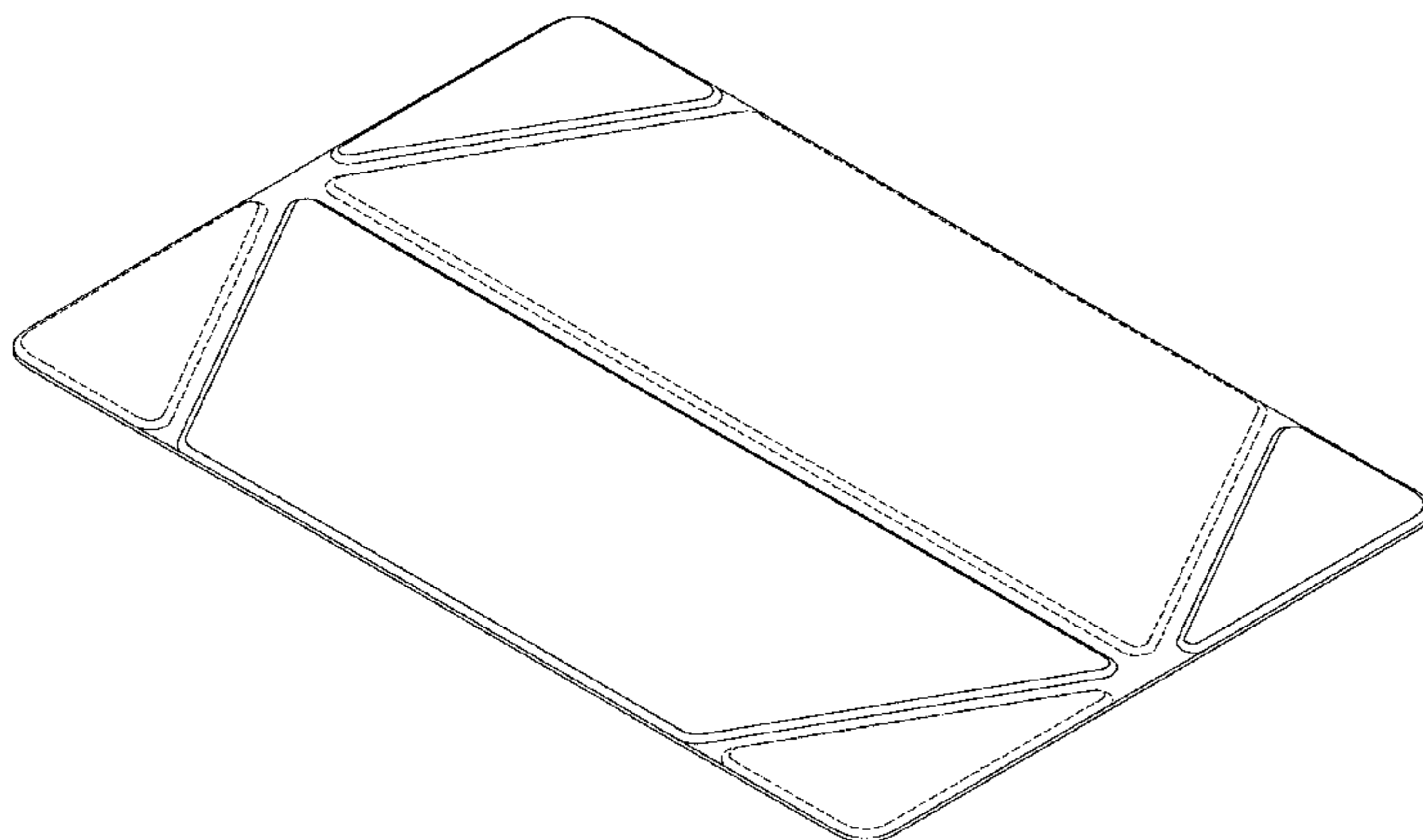
FIG. 6 is a top plan view thereof;

FIG. 7 is a bottom plan view thereof; and,

FIGS. 8 and 9 are perspective views of the cover folded into a stand for supporting an electronic device.

The broken lines represent portions of the structure that forms no part of the claim.

**1 Claim, 9 Drawing Sheets**



(56)

References Cited

U.S. PATENT DOCUMENTS

D678,260 S	3/2013	Bau	8,773,353 B2	7/2014	Wei	
D679,279 S	4/2013	Yang et al.	8,783,458 B2	7/2014	Gallagher et al.	
D679,715 S	4/2013	Akana et al.	D710,859 S	8/2014	Mecchella et al.	
8,424,830 B2	4/2013	Yang et al.	8,797,132 B2	8/2014	Childs et al.	
D681,641 S	5/2013	Van Den Nieuwenhuizen et al.	D713,847 S	9/2014	Su	
D682,836 S	5/2013	Akana et al.	D713,848 S	9/2014	Akana et al.	
D682,838 S	5/2013	Akana et al.	D723,040 S *	2/2015	Kang .....	D14/440
D683,141 S	5/2013	Symons	D726,191 S *	4/2015	Tseng .....	D14/440
D687,438 S	8/2013	Lu	D727,915 S *	4/2015	Mecchella .....	D14/440
D690,305 S	9/2013	Wen	D728,579 S *	5/2015	Mecchella .....	D14/440
D690,702 S	10/2013	Chung	D730,913 S *	6/2015	Shao .....	D14/440
D691,142 S	10/2013	Diebel	D743,406 S *	11/2015	Mecchella .....	D14/440
D692,434 S	10/2013	Kim	D743,967 S *	11/2015	Huang .....	D14/440
D693,823 S	11/2013	Chen et al.	D749,078 S *	2/2016	Bertrand .....	D14/440
D695,296 S	12/2013	Hsu	D750,632 S *	3/2016	Diebel .....	D14/440
D696,253 S	12/2013	Akana et al.	D752,593 S *	3/2016	Diebel .....	D14/440
D696,256 S	12/2013	Piedra et al.	2003/0034263 A1	2/2003	D'Hoste	
D696,669 S	12/2013	Akana et al.	2008/0302687 A1	12/2008	Sirichai et al.	
8,640,864 B2	2/2014	Chen et al.	2009/0159763 A1	6/2009	Kim	
8,657,112 B2	2/2014	Igarashi	2011/0266194 A1	11/2011	Bau	
D701,205 S	3/2014	Akana et al.	2011/0290687 A1	12/2011	Han	
D702,673 S	4/2014	Murchison et al.	2012/0211377 A1	8/2012	Sajid	
D704,689 S	5/2014	Chang	2012/0211613 A1	8/2012	Yang et al.	
D704,693 S	5/2014	Kim	2012/0305413 A1	12/2012	Chung	
D706,270 S	6/2014	Akana et al.	2012/0308981 A1	12/2012	Libin et al.	
D706,783 S	6/2014	Almodova	2013/0015088 A1	1/2013	Wu	
D707,229 S	6/2014	Almodova	2013/0020216 A1	1/2013	Chiou	
8,757,375 B2	6/2014	Huang	2013/0140203 A1	6/2013	Chiang	
D708,838 S	7/2014	Lee	2013/0213838 A1	8/2013	Tsai et al.	
8,763,795 B1	7/2014	Oten et al.	2013/0214661 A1	8/2013	McBroom	
8,766,921 B2	7/2014	Ballagas et al.	2013/0241381 A1	9/2013	Hyneczek et al.	
			2013/0258586 A1 *	10/2013	Shao .....	A45C 11/00 361/679.55
			2013/0264459 A1	10/2013	McCosh et al.	

\* cited by examiner

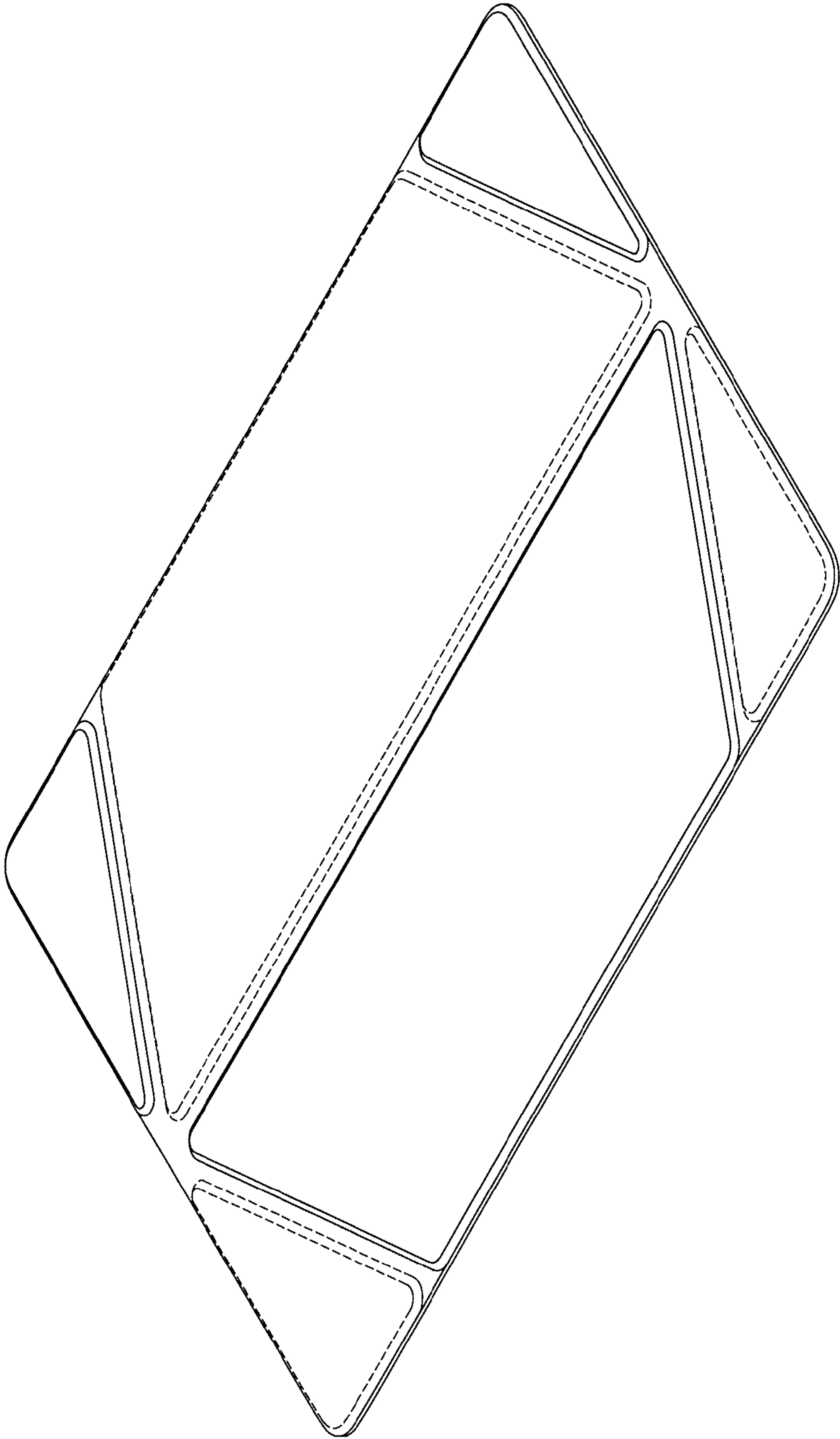


FIG. 1

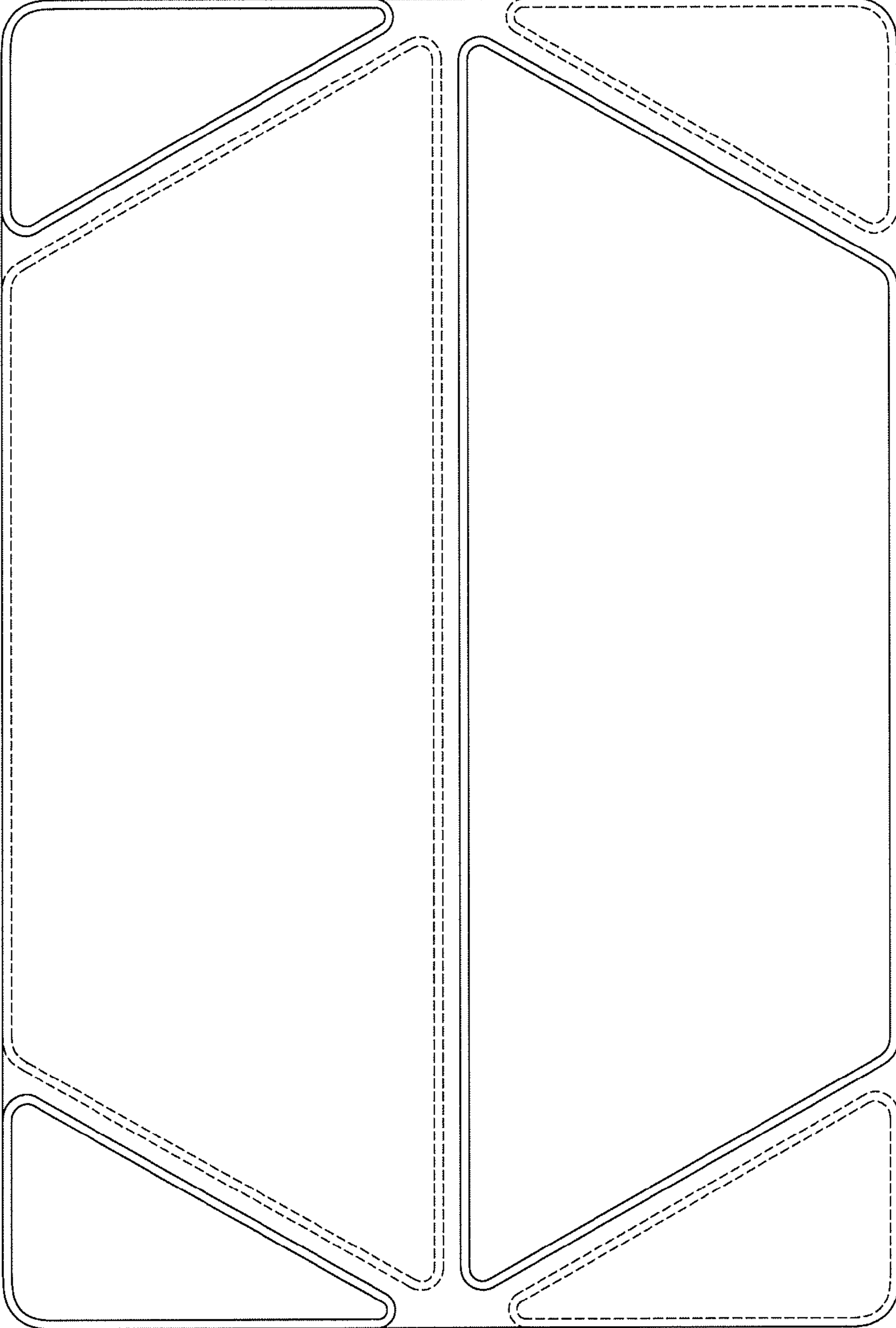


FIG. 2

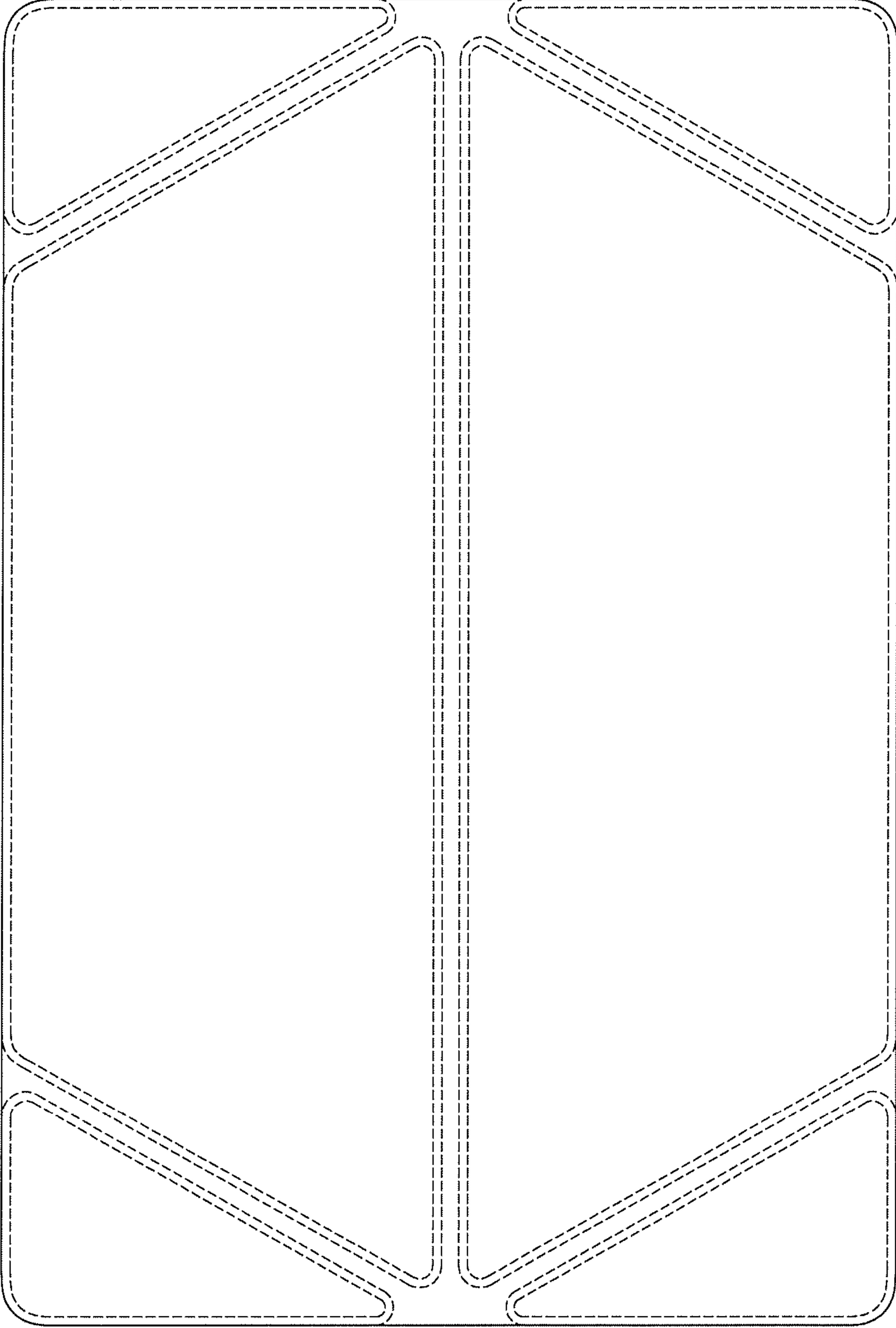


FIG. 3

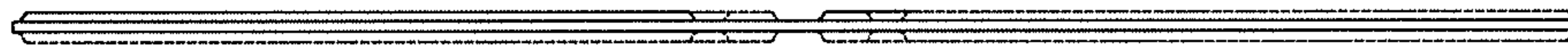


FIG. 4

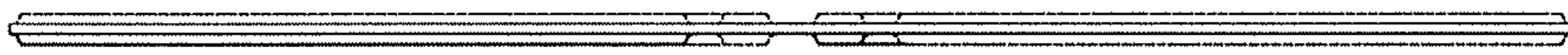


FIG. 5



FIG. 6





FIG. 7

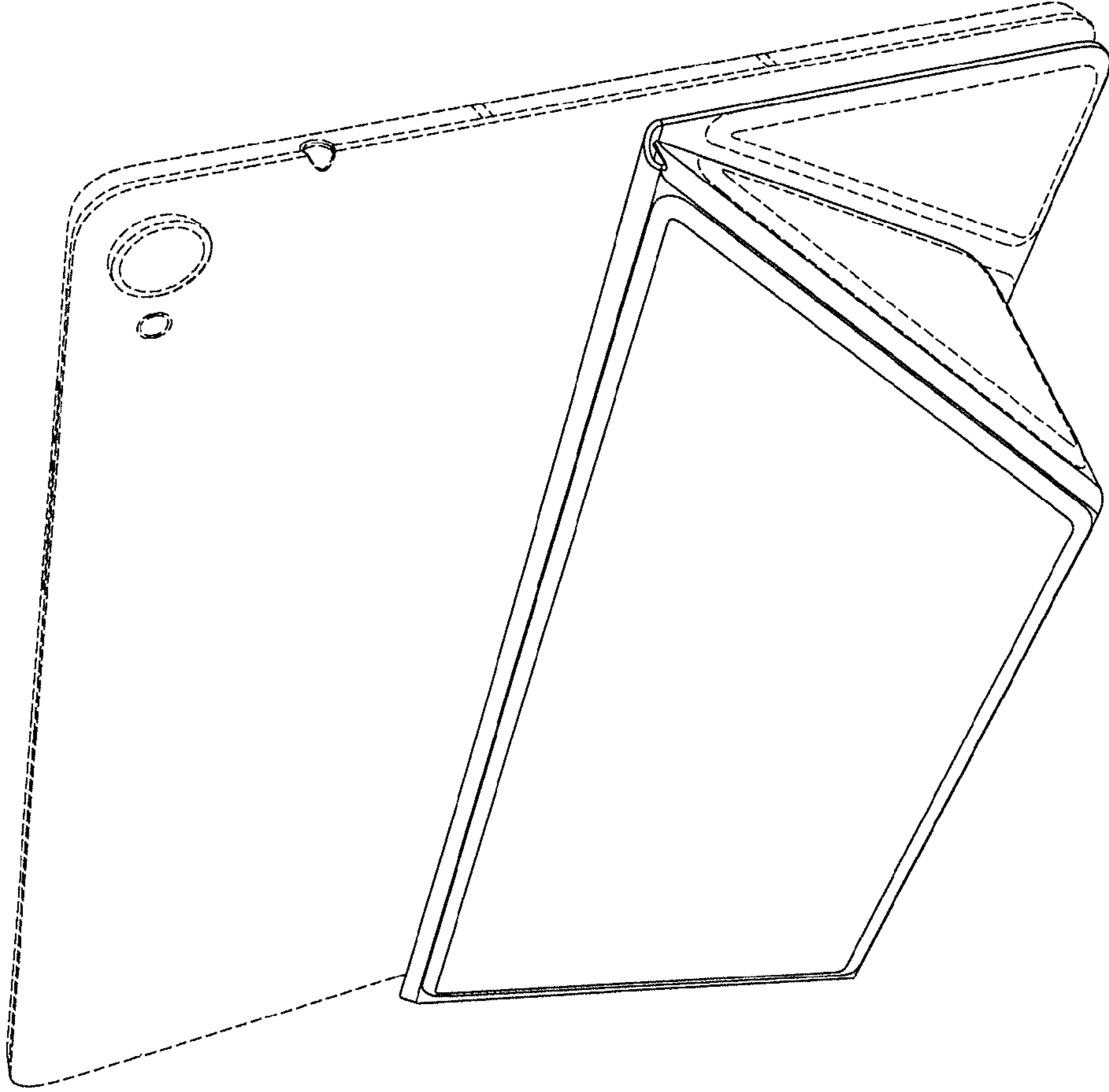


FIG. 8

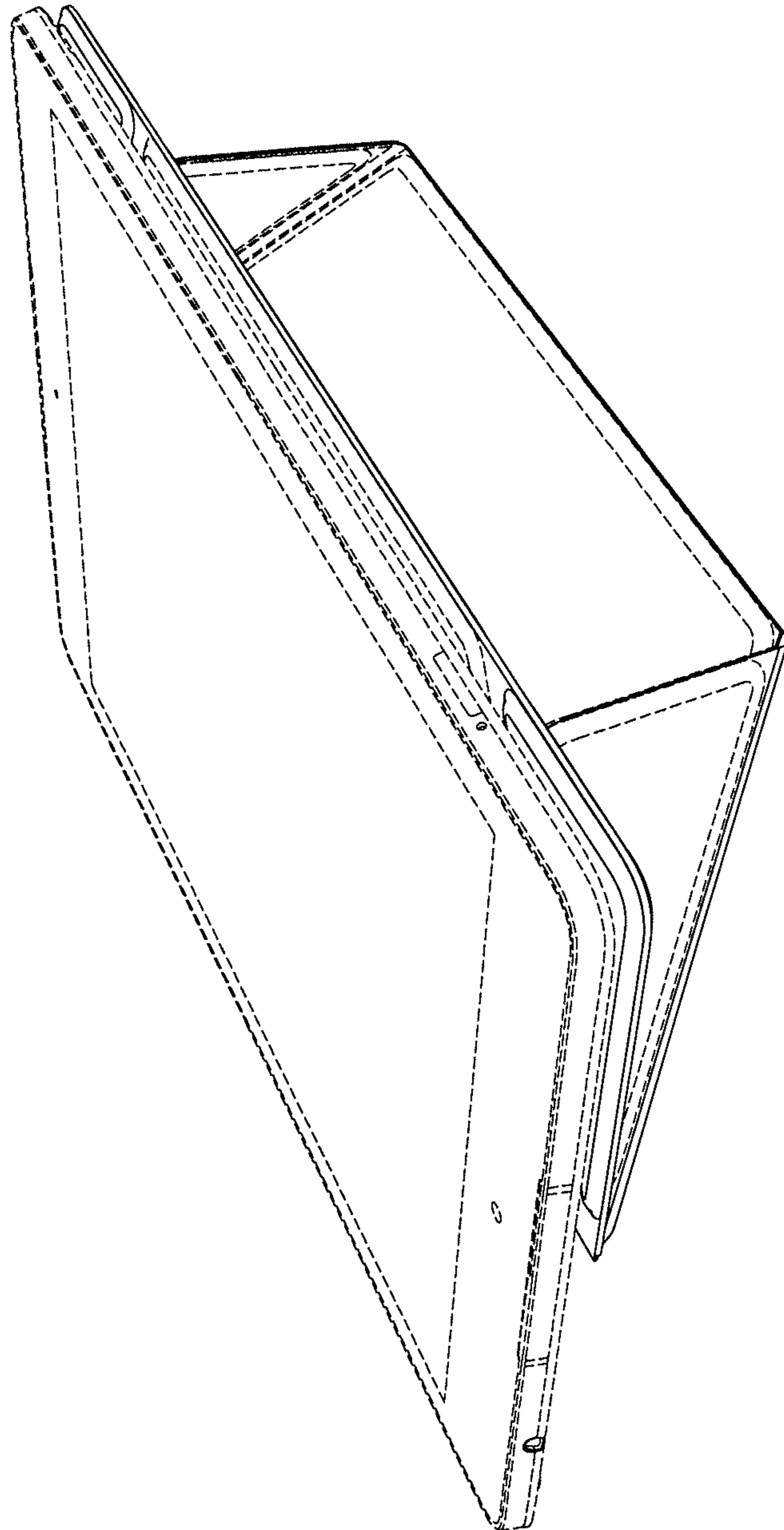


FIG. 9