



US00D772233S

(12) **United States Design Patent**
Kuo et al.

(10) **Patent No.:** **US D772,233 S**

(45) **Date of Patent:** **** Nov. 22, 2016**

(54) **HANDLE FOR PORTABLE ELECTRONIC DEVICE**

(71) Applicant: **GETAC TECHNOLOGY CORPORATION**, Hsinchu County (TW)

(72) Inventors: **Hsiu-Yu Kuo**, Taipei (TW);
Chun-Hsing Li, New Taipei (TW)

(73) Assignee: **Getac Technology Corporation**, Hsinchu County (TW)

(**) Term: **14 Years**

(21) Appl. No.: **29/506,160**

(22) Filed: **Oct. 14, 2014**

(51) **LOC (10) Cl.** **14-02**

(52) **U.S. Cl.**
USPC **D14/439**

(58) **Field of Classification Search**
USPC D14/341–347, 424, 425, 432–453, 464, D14/468, 469, 471, 496, 511, 138 AA, D14/138 AD, 138 C, 138 G, 203.1–203.8, D14/217, 238.1, 248, 250, 257, 299; 361/679.01, 679.02, 679.03, 679.3, 361/679.55, 679.56; 455/550.1, 556.1, 455/556.2, 575.1, 575.3–575.5, 575.8, 90.3
CPC A45C 11/00; A45C 2011/003; B60R 11/0241; B60R 11/0252; F16M 13/00; F16M 11/00
See application file for complete search history.

(56) **References Cited**

U.S. PATENT DOCUMENTS

D389,158 S * 1/1998 Oross D13/119
D416,684 S * 11/1999 Nykoluk D3/321
D432,133 S * 10/2000 Oross D14/439
6,449,144 B1 * 9/2002 Yeh G06F 1/1616
361/679.27

6,616,111 B1 * 9/2003 White G06F 1/1626
206/320
D487,205 S * 3/2004 Mower D6/707.26
D623,652 S * 9/2010 Hsu D14/218
D641,354 S * 7/2011 Hsu D14/341
D717,802 S * 11/2014 Carpenter D14/439
D718,315 S * 11/2014 Carpenter D14/439
D718,757 S * 12/2014 Jaffee D14/250
D718,758 S * 12/2014 Jaffee D14/250
D755,794 S * 5/2016 Li D14/439
2002/0085342 A1 * 7/2002 Chen G06F 1/1616
361/679.55
2007/0039848 A1 * 2/2007 Burchell B65D 81/057
206/453

* cited by examiner

Primary Examiner — Austin Murphy

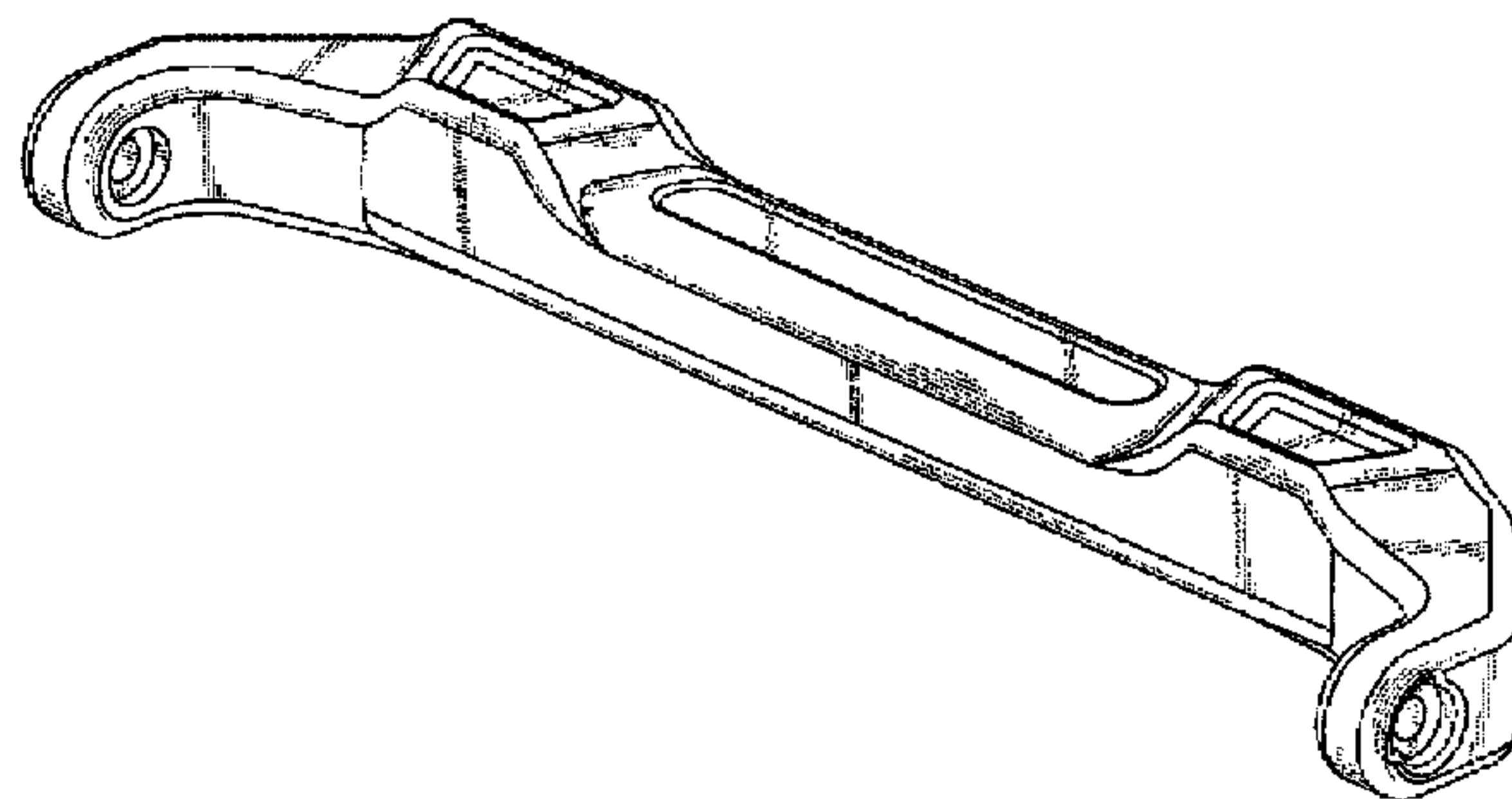
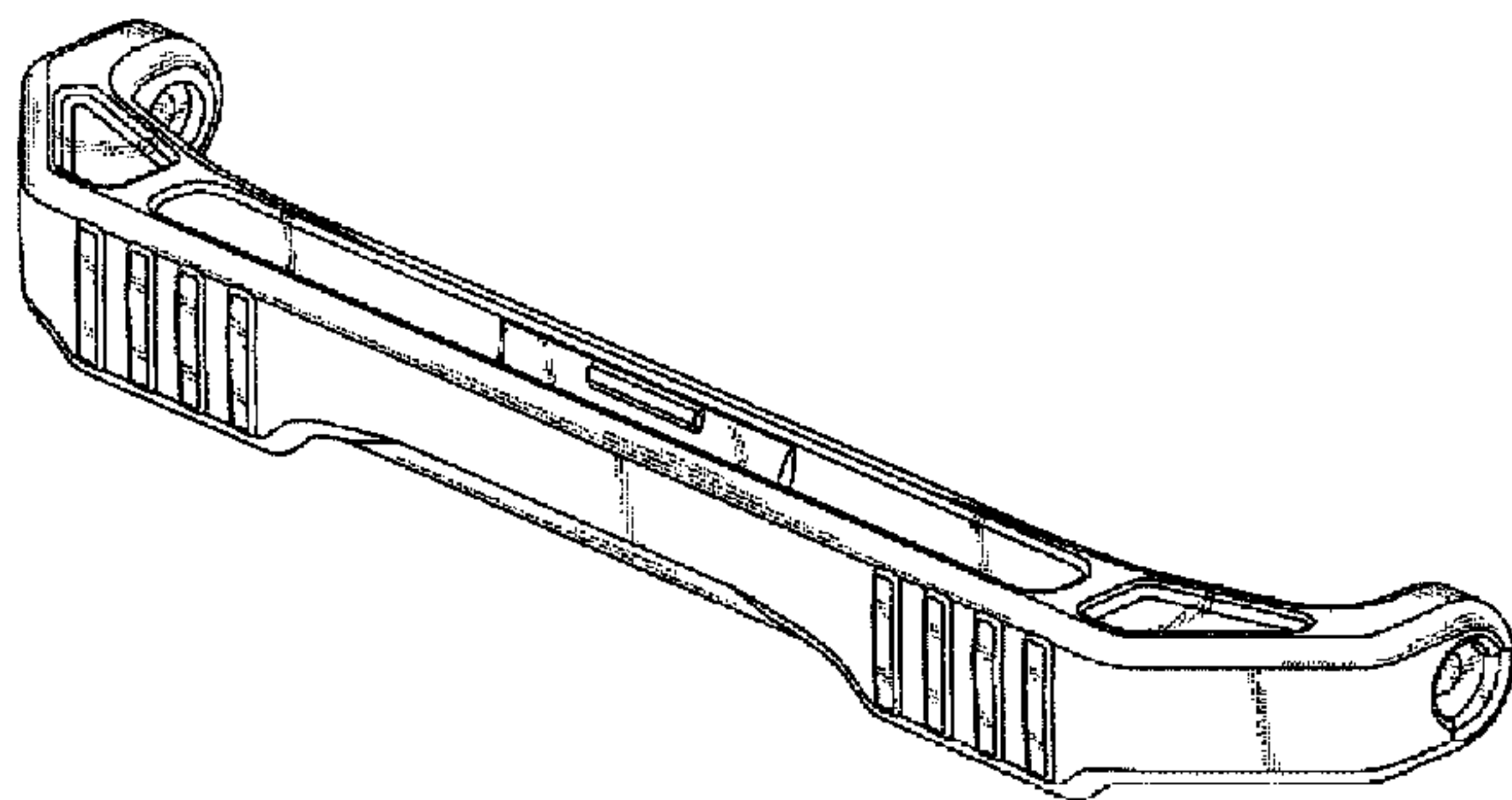
(57) **CLAIM**

The ornamental design for a handle for portable electronic device, as shown and described.

DESCRIPTION

FIG. 1 is a front perspective view showing a first embodiment of my new design;
FIG. 2 is a bottom perspective view of the first embodiment of my new design;
FIG. 3 is a front view of the first embodiment of my new design;
FIG. 4 is a rear view of the first embodiment of my new design;
FIG. 5 is a left side view of the first embodiment of my new design;
FIG. 6 is a right side view of the first embodiment of my new design;
FIG. 7 is a top view of the first embodiment of my new design; and,
FIG. 8 is a bottom view of the first embodiment of my new design.

1 Claim, 5 Drawing Sheets



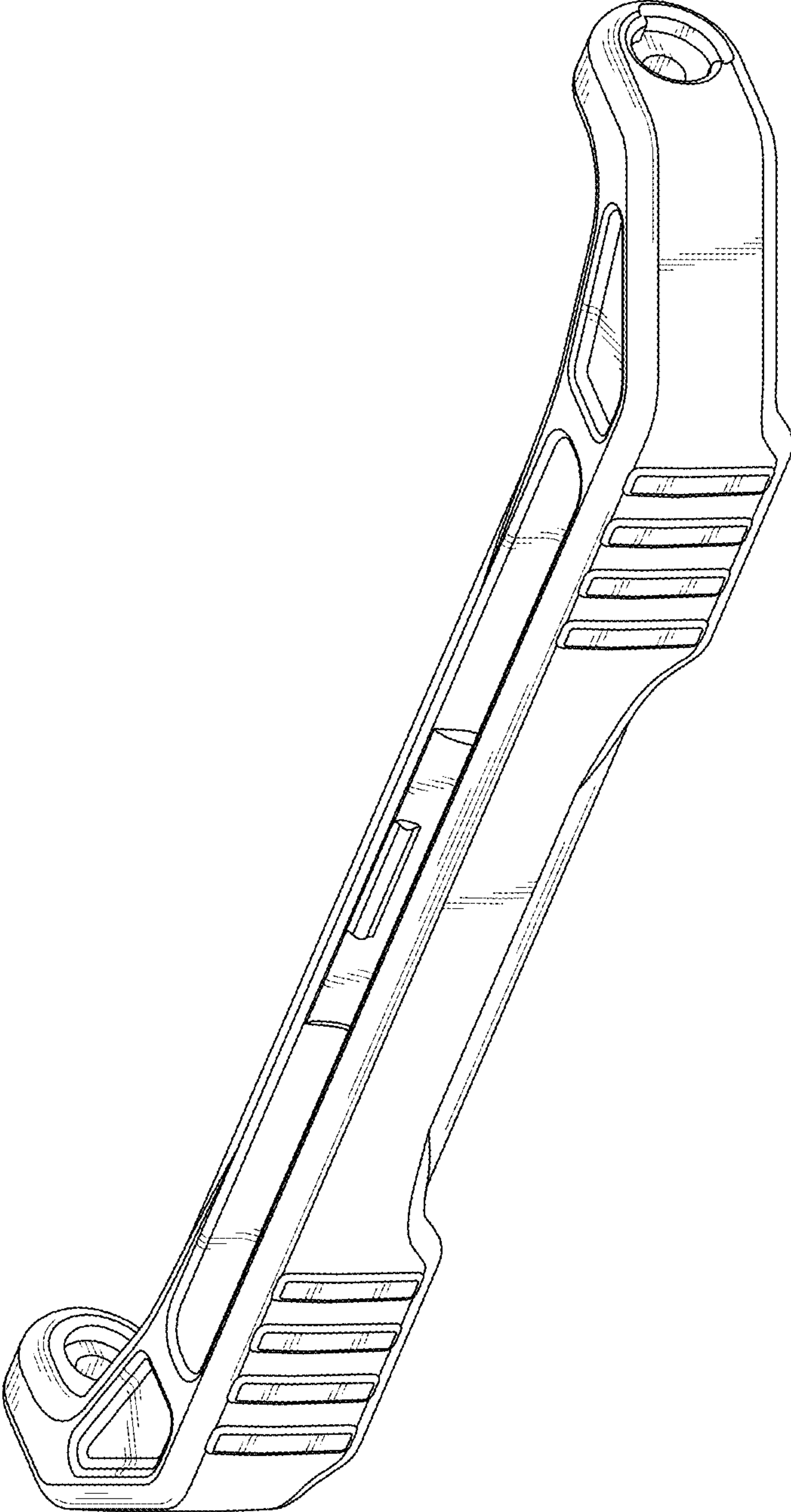


FIG. 1

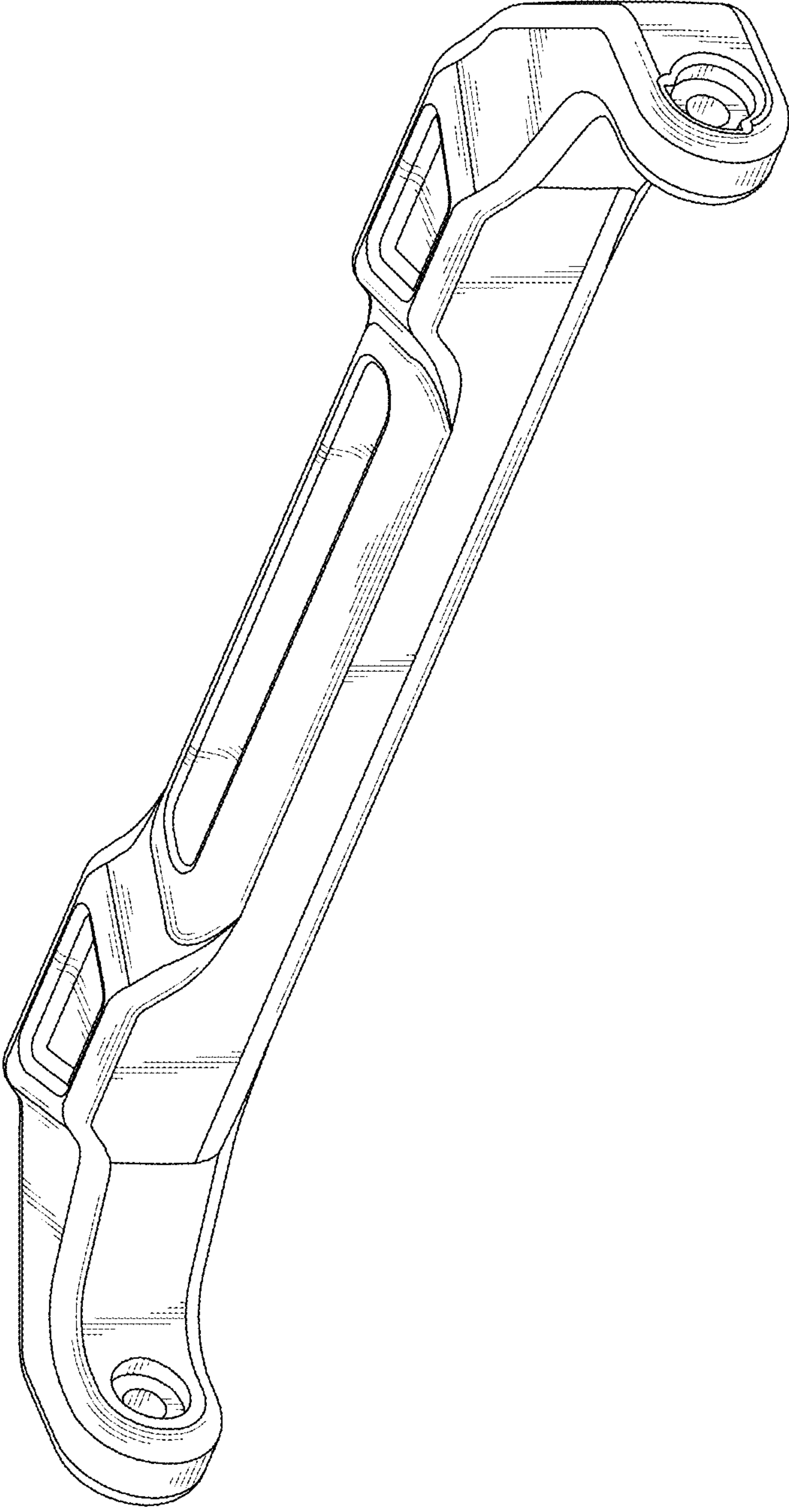


FIG. 2

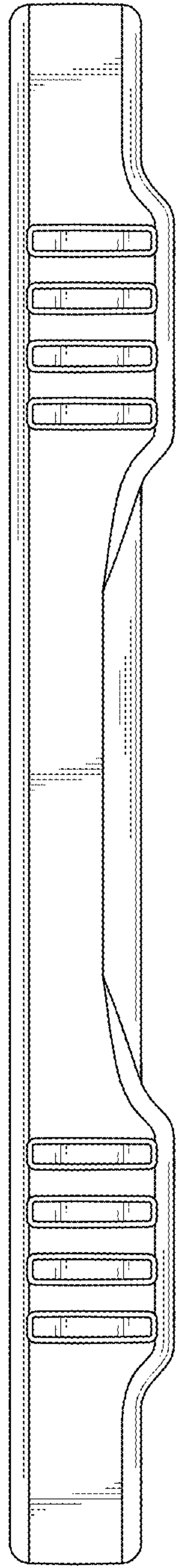


FIG. 3

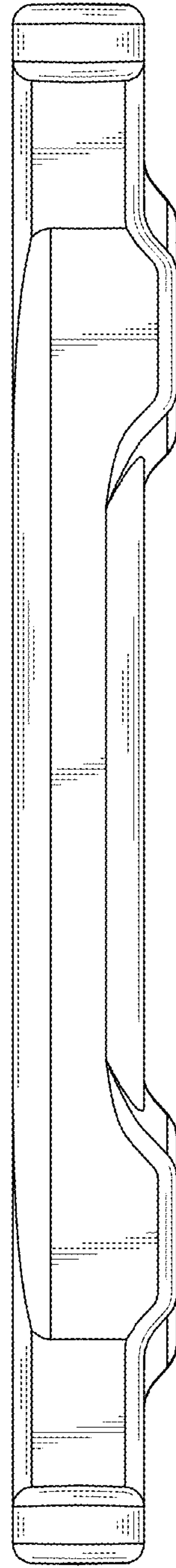


FIG. 4

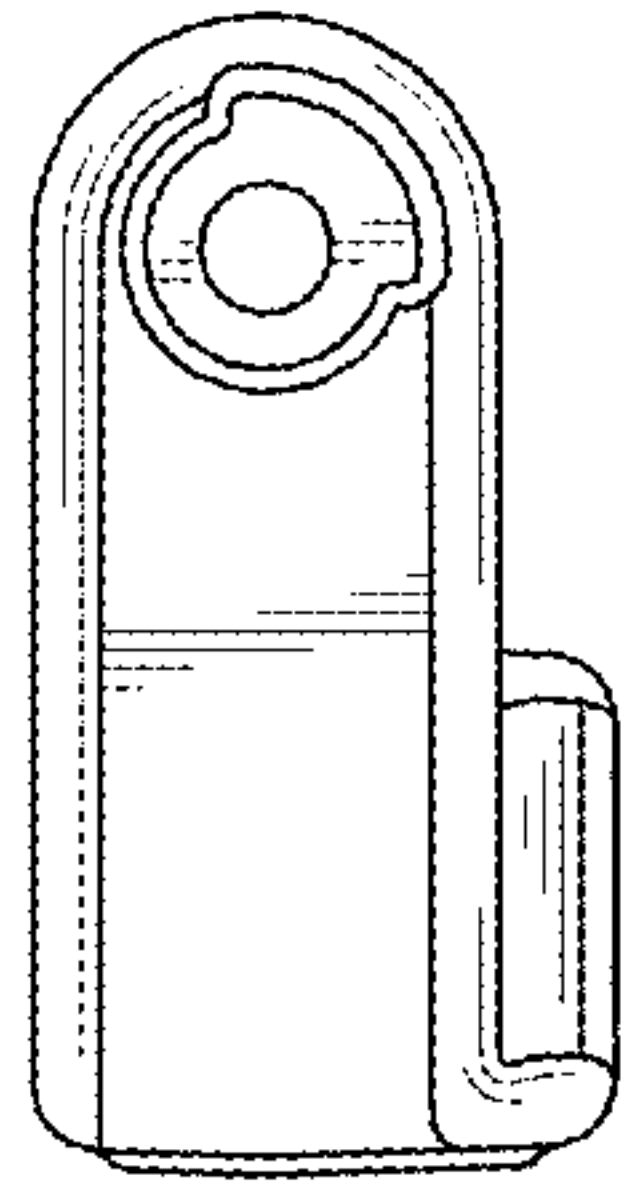


FIG. 6

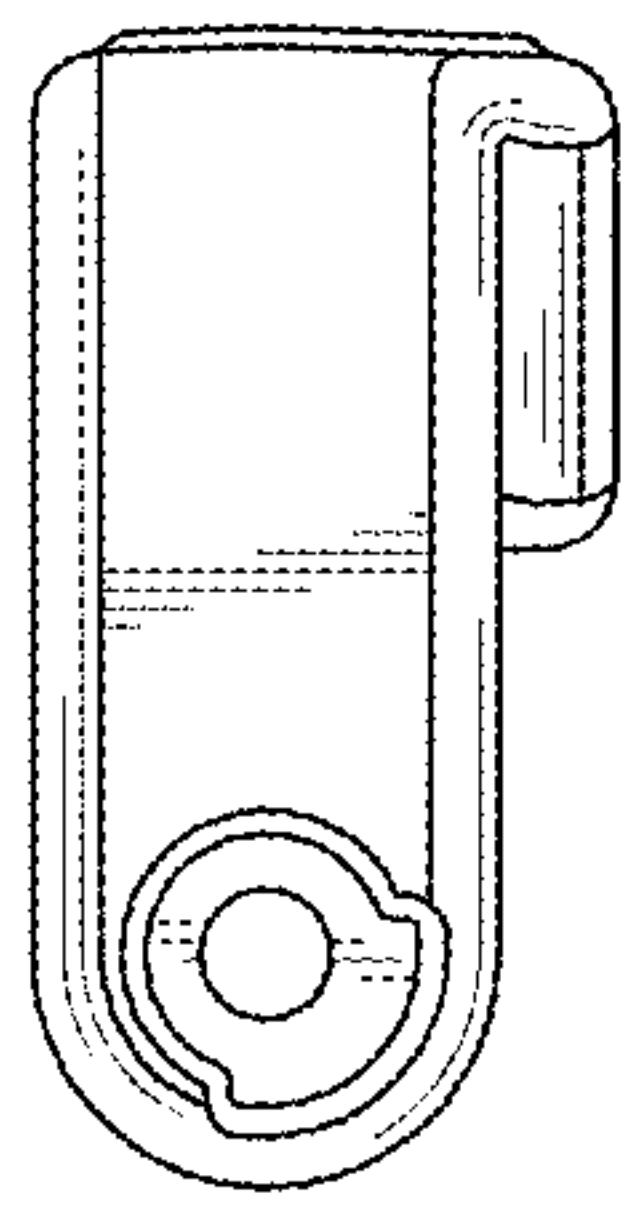


FIG. 5

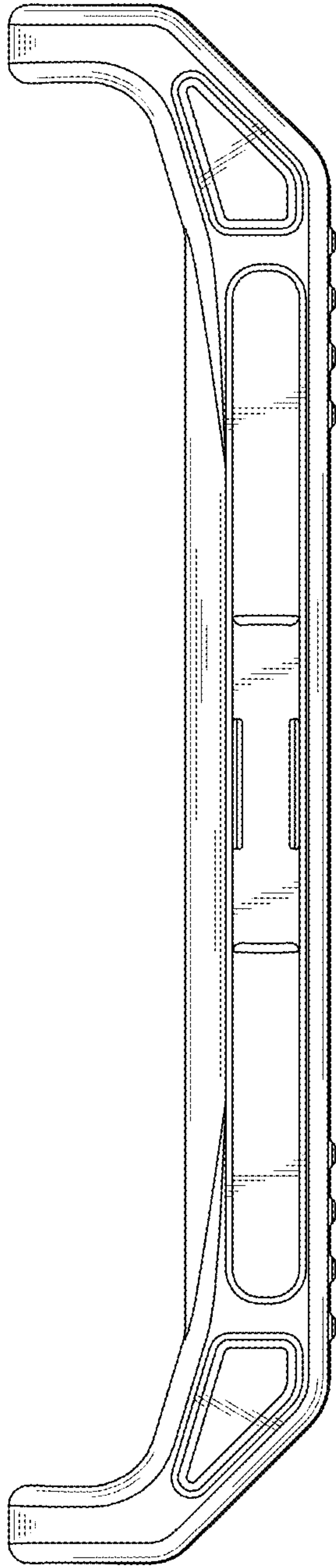


FIG. 7

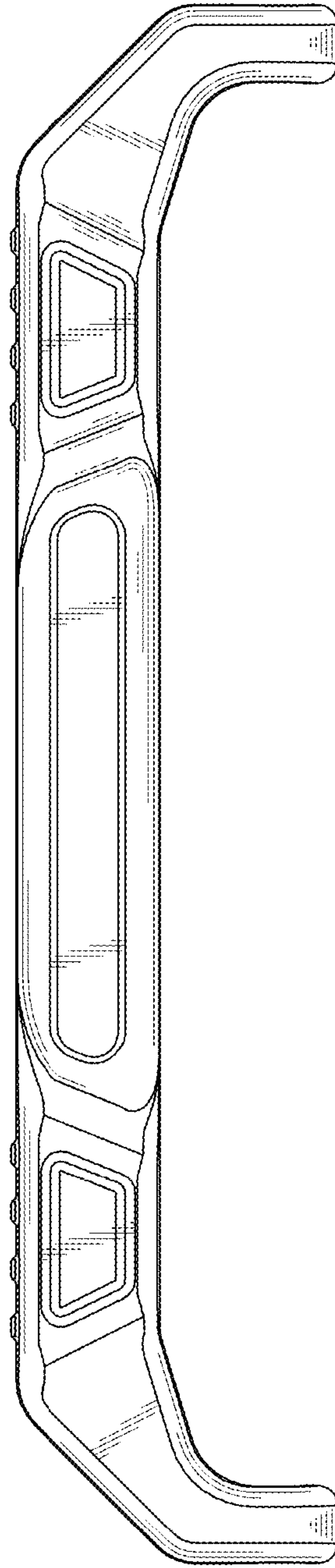


FIG. 8