



US00D772231S

(12) **United States Design Patent**
Lee et al.

(10) **Patent No.:** **US D772,231 S**

(45) **Date of Patent:** **** Nov. 22, 2016**

(54) **UNIVERSAL INTEGRATIVE MISSION
MODULE INTERFACE**

(71) Applicant: **Physical Optics Corporation,**
Torrance, CA (US)

(72) Inventors: **Kang Lee**, Woodland Hills, CA (US);
Thomas Forrester, Hacienda Heights,
CA (US); **Andrew Kostrzewski**,
Garden Grove, CA (US); **Anthony
Shangchi Lai**, La Crescenta, CA (US)

(73) Assignee: **Physical Optics Corporation,**
Torrance, CA (US)

(**) Term: **14 Years**

(21) Appl. No.: **29/524,141**

(22) Filed: **Apr. 16, 2015**

(51) **LOC (10) Cl.** **14-02**

(52) **U.S. Cl.**

USPC **D14/433**; D13/133; D14/357

(58) **Field of Classification Search**

USPC D14/356, 357, 367, 388, 432, 433, 299;
D13/120, 133, 138.1, 147, 153, 154;
D8/367

CPC H01R 13/6273; H01R 13/6275;
H01R 13/639; H01R 13/6397; H01R
13/6625; H01R 13/4361; H01R 23/025;
H01R 23/0055; A41D 1/002

See application file for complete search history.

(56) **References Cited**

U.S. PATENT DOCUMENTS

5,171,169 A * 12/1992 Butcher H01R 11/287
403/339
D341,816 S * 11/1993 Nagano D13/138.1
D344,183 S * 2/1994 Anderson D3/207
5,312,269 A * 5/1994 Hwang H01M 2/20
439/500
5,401,180 A * 3/1995 Muzslay H01R 13/7032
102/202.2
D360,401 S * 7/1995 Chen D13/138.1

D361,989 S * 9/1995 Cox D13/147
5,591,041 A * 1/1997 Cecil, Jr. H01R 13/506
439/352
5,609,498 A * 3/1997 Muzslay H01R 13/6273
439/352
5,677,822 A * 10/1997 Cohen H05F 3/02
361/220
5,895,282 A * 4/1999 Little H01R 13/625
439/332
D411,167 S * 6/1999 Liang D13/120
D458,221 S * 6/2002 Liang D13/120
D465,784 S * 11/2002 Lin D14/385
D471,153 S * 3/2003 Liang D13/120
D508,511 S * 8/2005 Christou D16/202
D588,546 S * 3/2009 Lee D13/154
7,556,532 B2 * 7/2009 Lee H01R 12/592
340/545.6

(Continued)

OTHER PUBLICATIONS

Snapnet Low profile snap connectors. poc.com (online PDF) pub-
lished Oct. 16, 2013. [retrieved on Jun. 16, 2016]. Retrieved from
Internet: http://www.poc.com/media/23737/snapnet_datasheet_fnl_10.16.13.pdf.*

Primary Examiner — Susan Bennett Hattan

Assistant Examiner — Marie Fast Horse

(74) *Attorney, Agent, or Firm* — Sheppard Mullin
Richter & Hampton LLP

(57) **CLAIM**

We claim the ornamental design for a universal integrative
mission module interface, as shown and described.

DESCRIPTION

FIG. 1 is a front perspective view of a universal integrative
mission module interface;

FIG. 2 is a back perspective view thereof;

FIG. 3 is a top view thereof;

FIG. 4 is a bottom view thereof;

FIG. 5 is a left side view thereof;

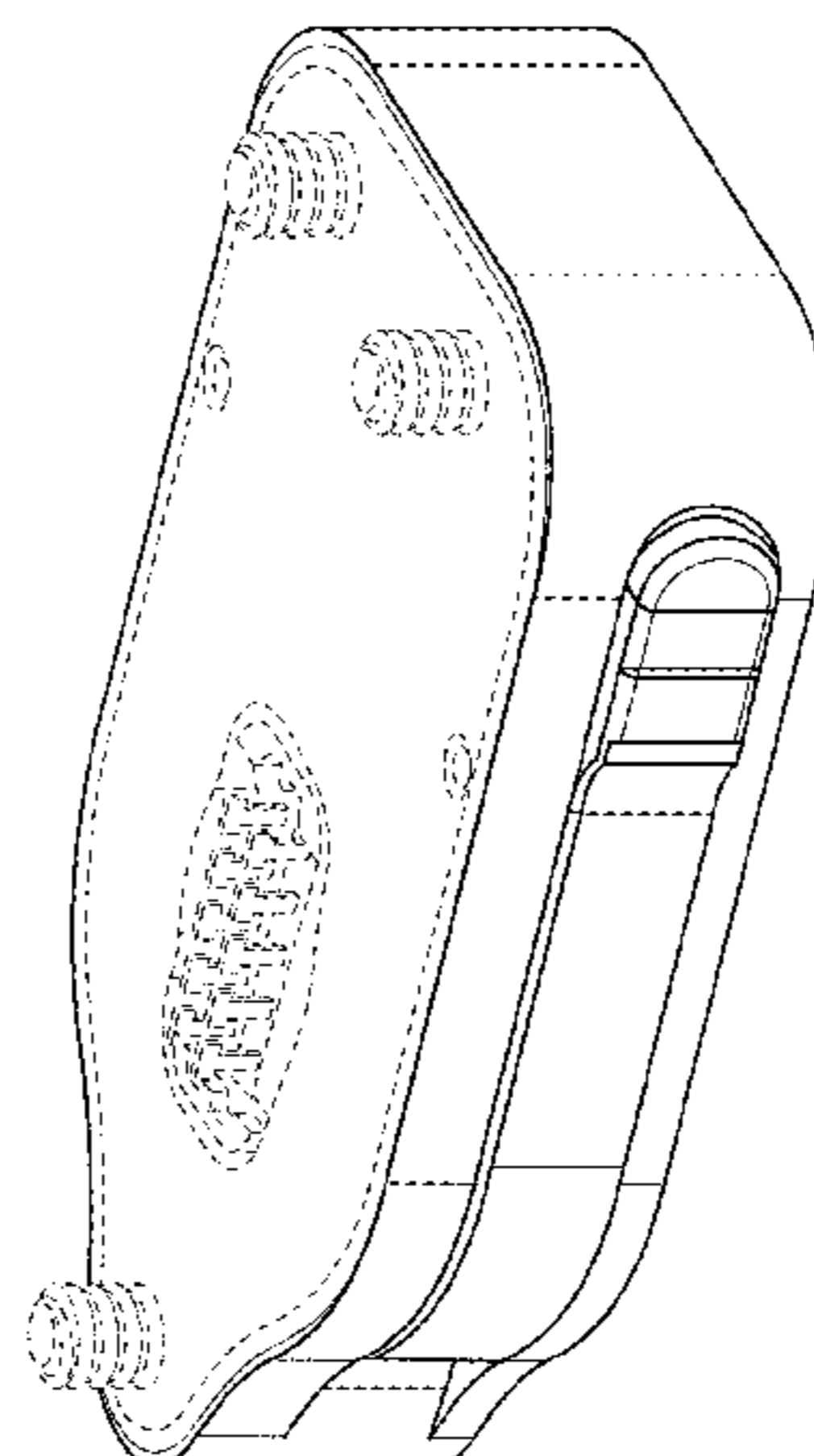
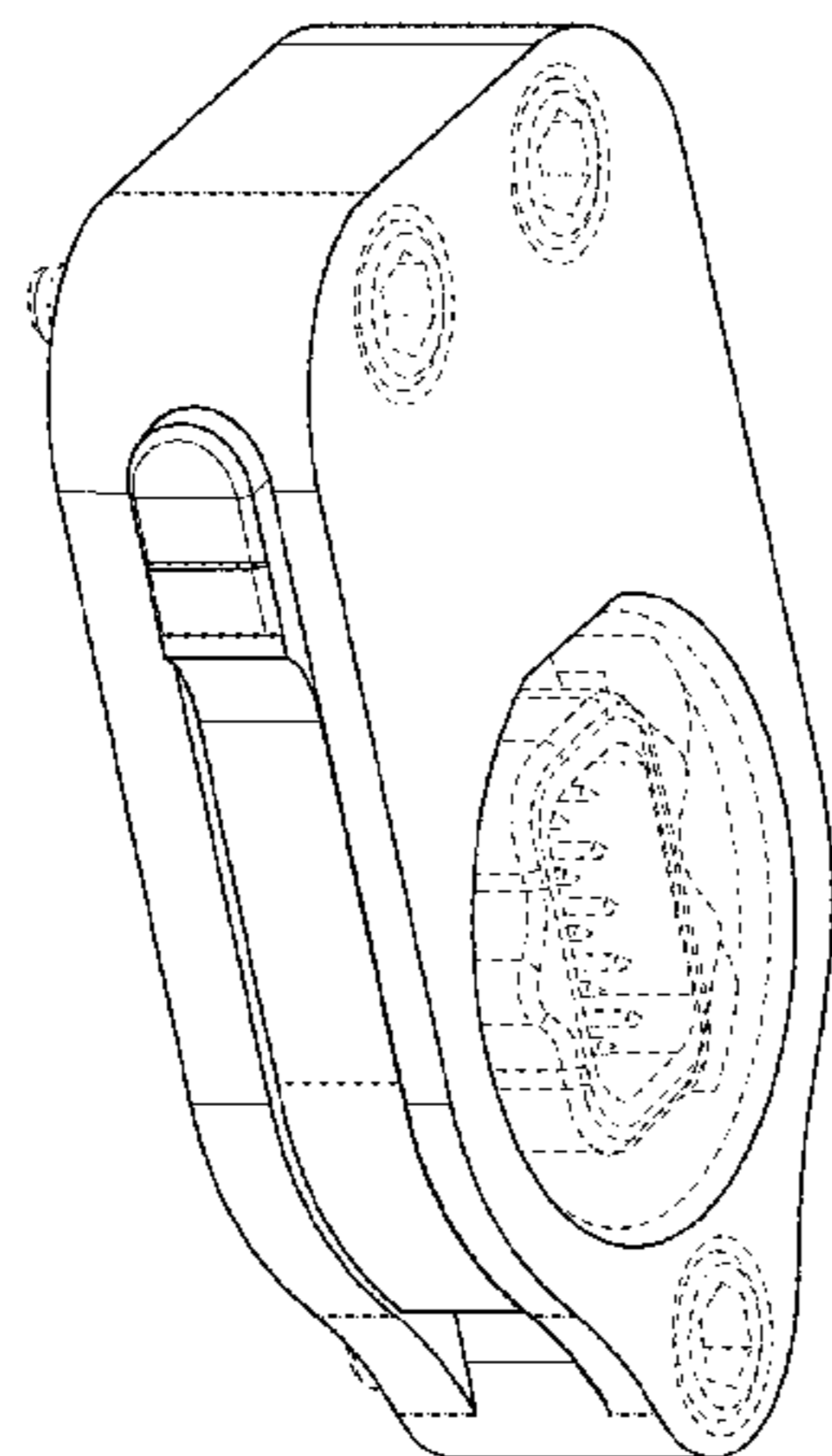
FIG. 6 is a right side view thereof;

FIG. 7 is a front view thereof; and,

FIG. 8 is a rear view thereof.

The broken lines of the universal integrative mission module
interface form no part of the claimed design.

1 Claim, 3 Drawing Sheets



(56)

References Cited

U.S. PATENT DOCUMENTS

D614,135 S * 4/2010 Bowser D13/133
 D622,667 S * 8/2010 Lin D13/147
 D623,143 S * 9/2010 Amidon D13/147
 D624,551 S * 9/2010 Cohen D14/480.5
 D626,122 S * 10/2010 Vogel D14/299
 D635,933 S * 4/2011 Amidon D13/147
 D644,995 S * 9/2011 Amidon D13/147
 D647,886 S * 11/2011 Kao D14/218
 D659,145 S * 5/2012 Lee D13/133
 D668,225 S * 10/2012 Lyford D13/133
 D668,226 S * 10/2012 Lyford D13/133
 D671,499 S * 11/2012 Su D13/147
 D672,720 S * 12/2012 Lyford D13/133
 D673,120 S * 12/2012 Lyford D13/133
 D676,389 S * 2/2013 Worth D13/147
 D679,655 S * 4/2013 Lin D13/147
 D689,495 S * 9/2013 Bentley D14/433

8,758,034 B1 * 6/2014 Shotey H01R 13/447
 439/140
 D727,719 S * 4/2015 Ribeiro D8/382
 D734,264 S * 7/2015 Jordan D13/133
 D737,206 S * 8/2015 Lewis, Jr. D13/133
 D741,697 S * 10/2015 McGrath D8/382
 D755,183 S * 5/2016 Patel D14/433
 2002/0098731 A1 * 7/2002 Varone H01R 13/6397
 439/347
 2003/0019258 A1 * 1/2003 Irgens B60D 1/06
 70/231
 2004/0043649 A1 * 3/2004 O'Connell H01R 13/6397
 439/135
 2005/0020142 A1 * 1/2005 Singer H01R 13/518
 439/701
 2007/0026695 A1 * 2/2007 Lee H01R 12/592
 439/37
 2008/0318462 A1 * 12/2008 Gerard H01R 13/6272
 439/353
 2016/0036483 A1 * 2/2016 Chua H04B 1/40
 455/90.2

* cited by examiner

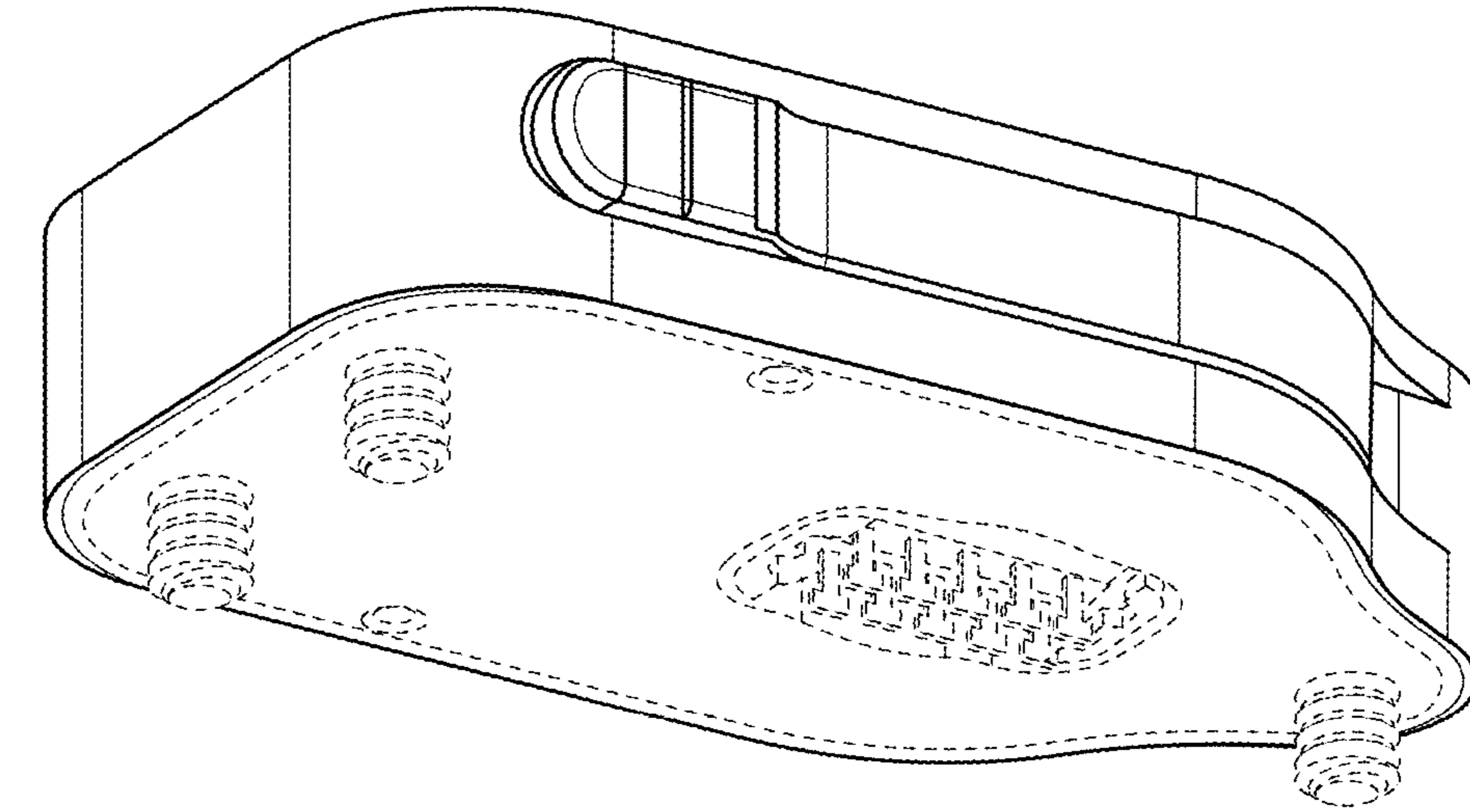


FIG. 2

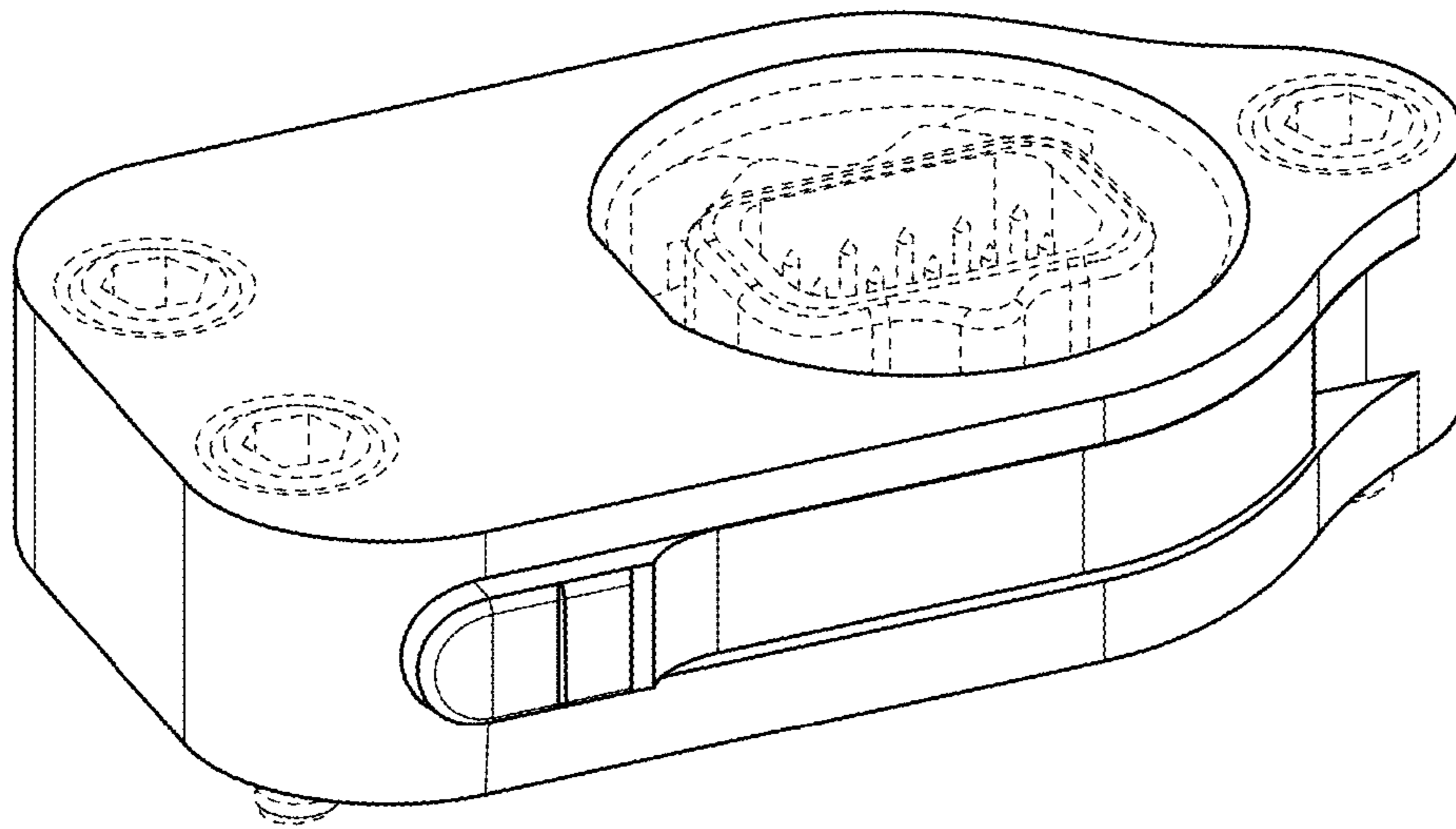


FIG. 1

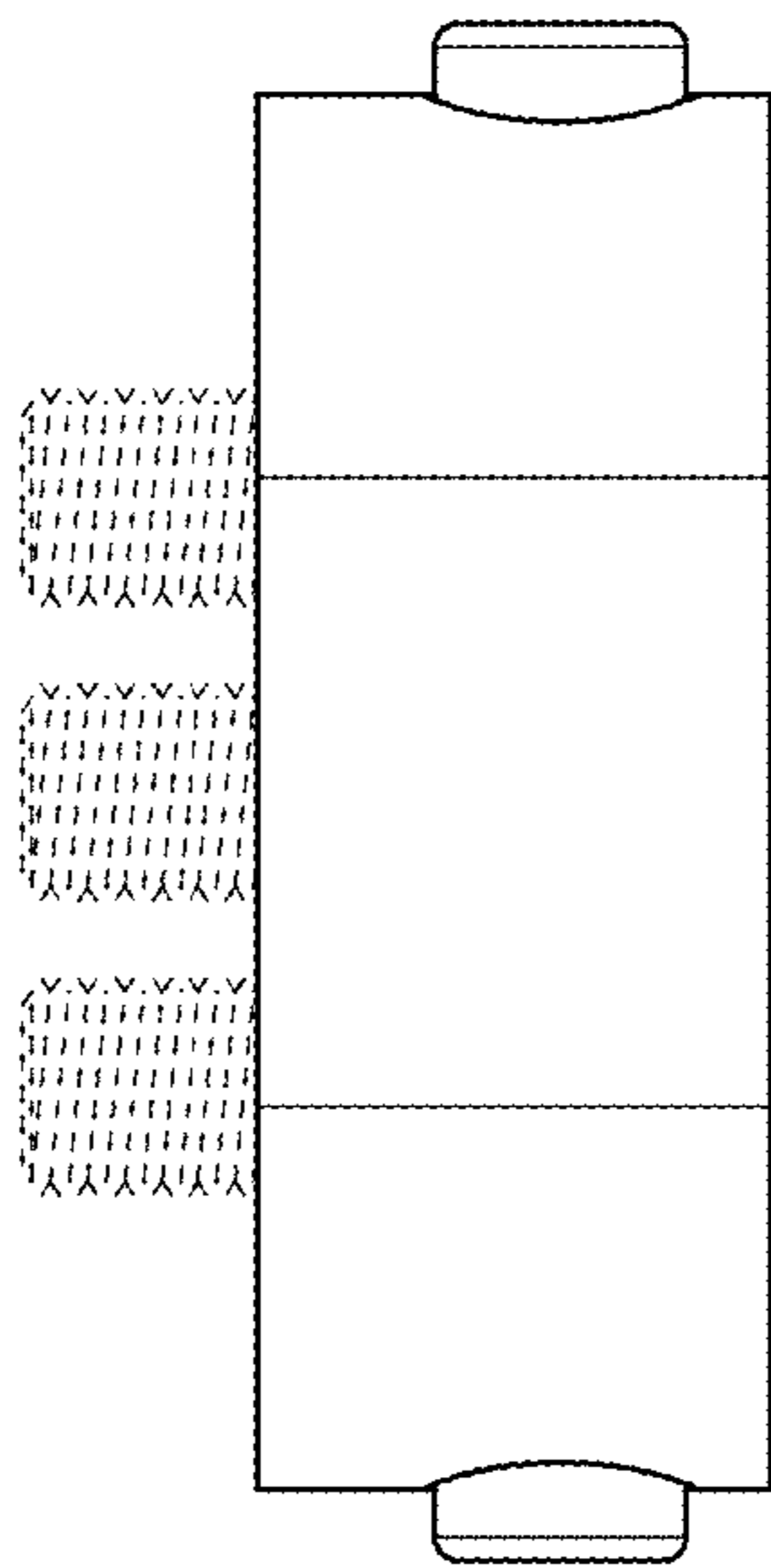


FIG. 3

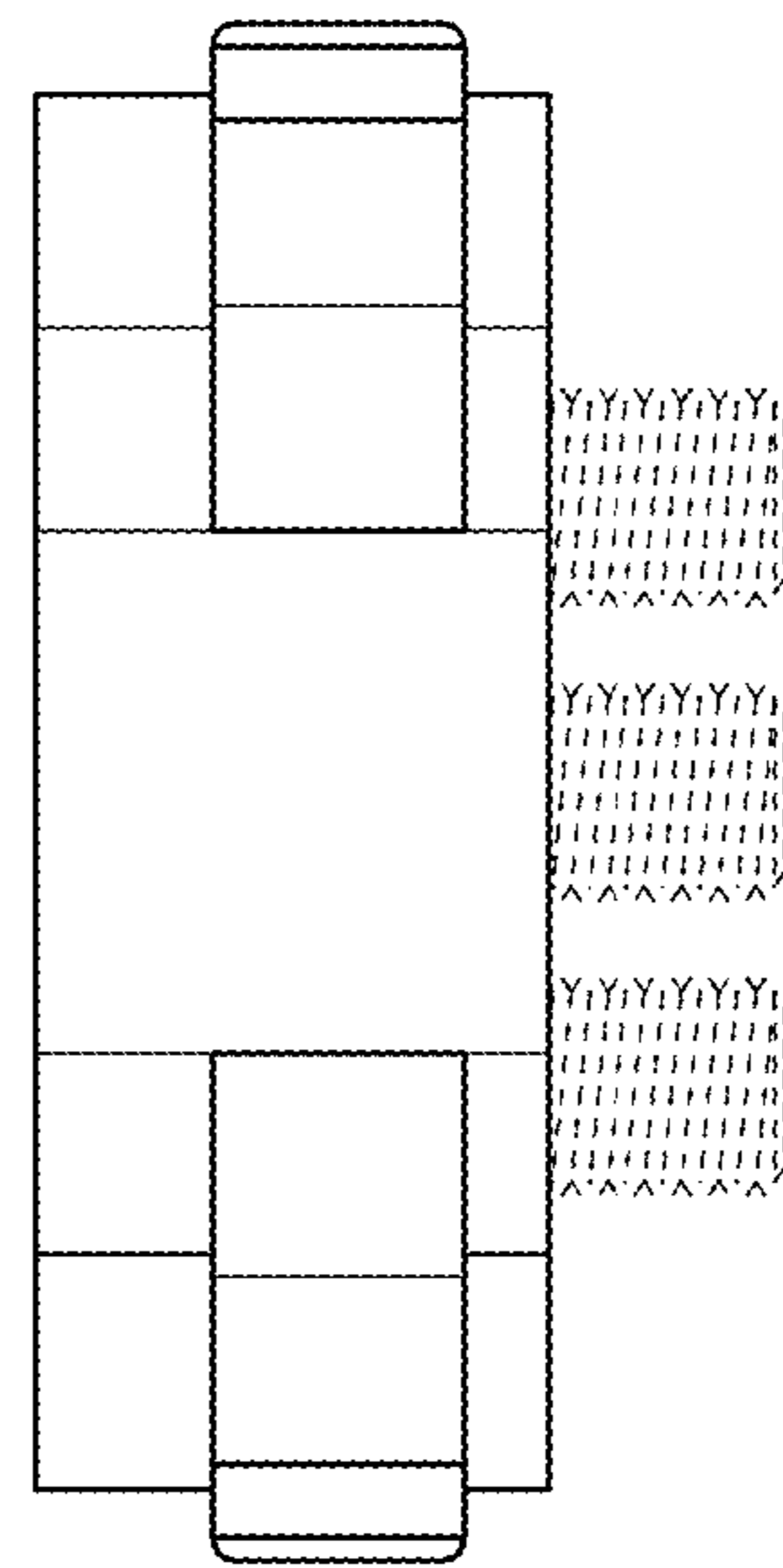


FIG. 4

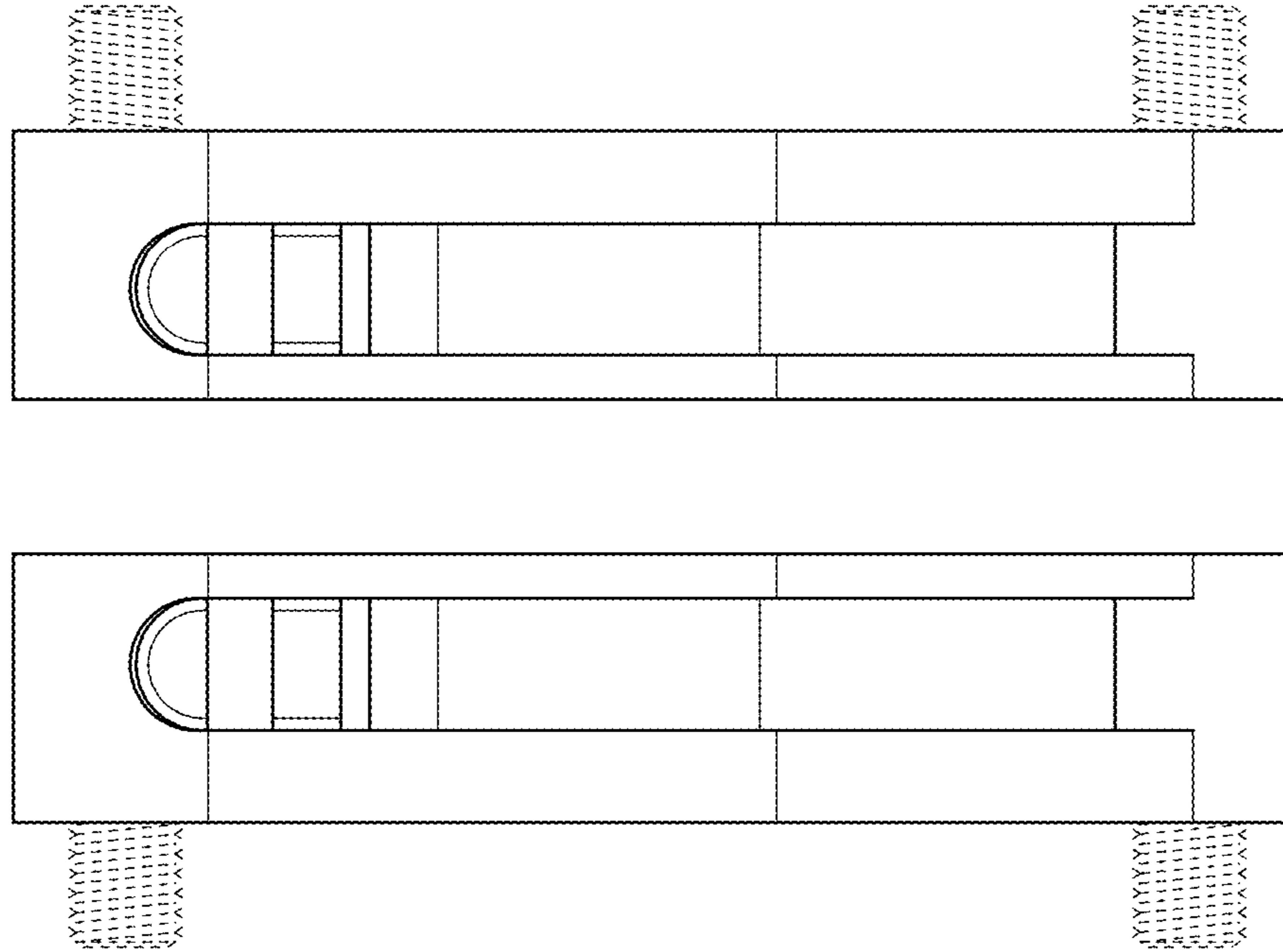


FIG. 5

FIG. 6

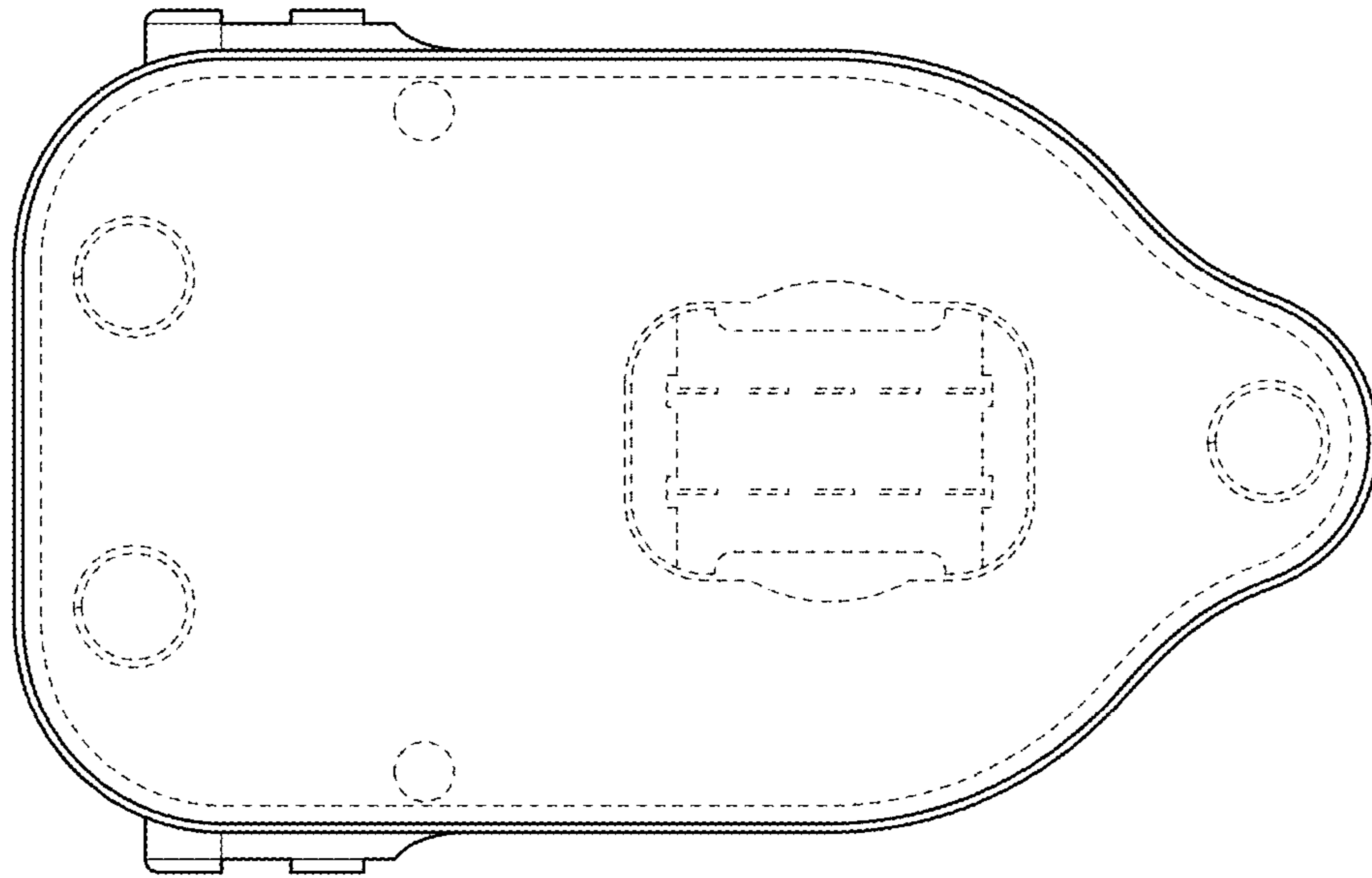


FIG. 8

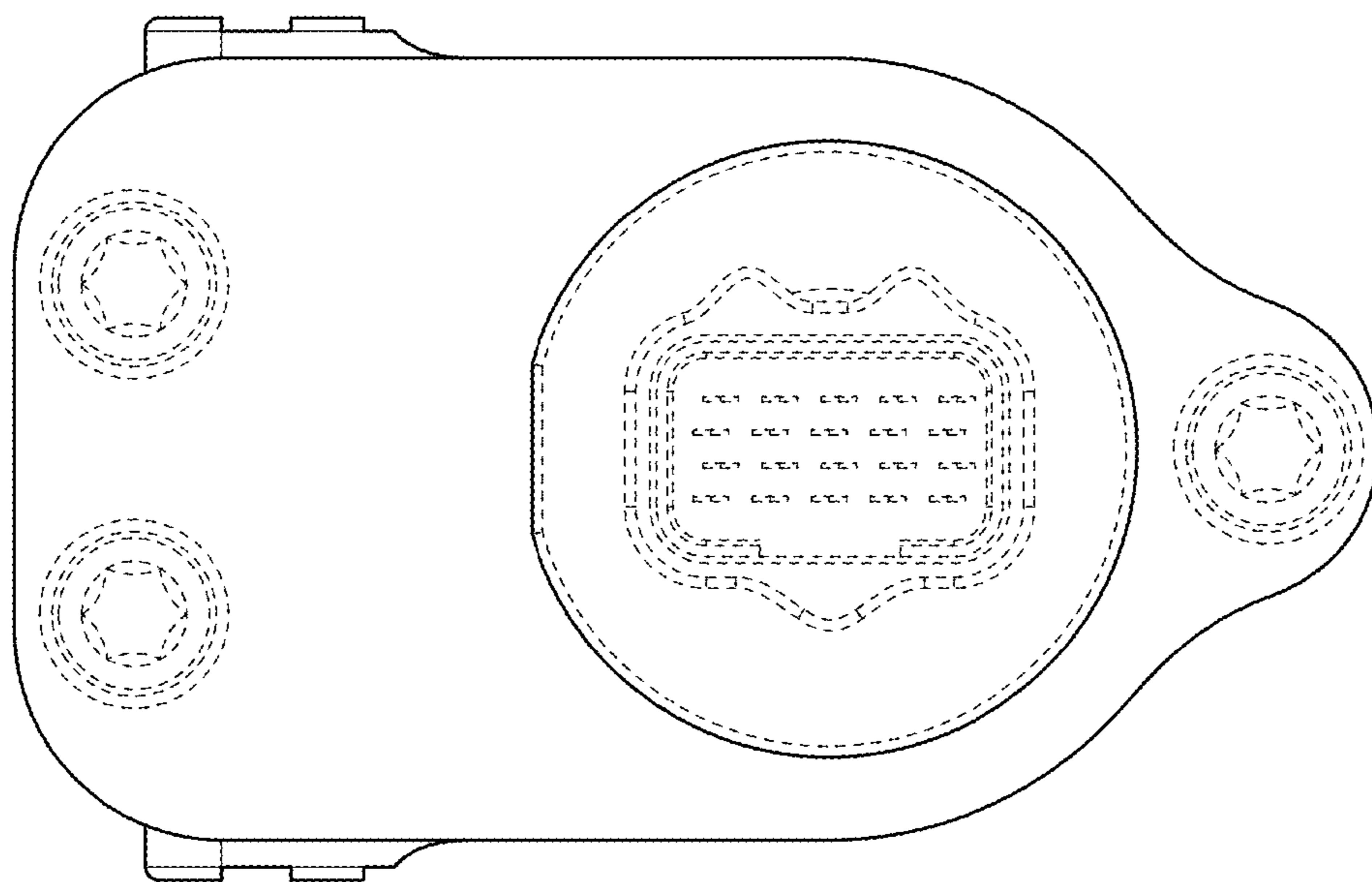


FIG. 7