



US00D772229S

(12) **United States Design Patent**
Petit-Huguenin

(10) **Patent No.:** **US D772,229 S**

(45) **Date of Patent:** **** Nov. 22, 2016**

(54) **NETWORK TAP**

(71) Applicant: **IMPEDANCE MISMATCH, LLC,**
Campbell, CA (US)

(72) Inventor: **Marc Petit-Huguenin,** Springville, UT
(US)

(73) Assignee: **IMPEDANCE MISMATCH, LLC,**
Campbell, CA (US)

(**) Term: **15 Years**

(21) Appl. No.: **29/531,294**

(22) Filed: **Jun. 24, 2015**

(51) **LOC (10) Cl.** **14-02**

(52) **U.S. Cl.**
USPC **D14/358**

(58) **Field of Classification Search**
USPC D14/300, 140, 144, 155, 217, 240, 242,
D14/243, 245, 299, 356-358, 432, 434;
D13/133, 147, 152, 154, 184, 199;
D10/65, 75, 78

CPC G06F 1/16; G06F 1/1683; G06F 1/1684;
G06F 1/1696; G06F 1/1698; H01R 31/06;
H01R 31/065; H04M 1/0214; H04M 1/0262;
H04M 1/0297; H04M 1/04; H04B 1/03;
H04B 1/034; H04B 1/06; H04B 1/08; H04B
1/082; H04B 1/086; H04B 1/088; H04B
1/20; H04B 1/207; H04B 1/38; G01S 5/18
See application file for complete search history.

(56) **References Cited**

U.S. PATENT DOCUMENTS

D205,139 S *	6/1966	Joslow	D14/140
D290,397 S *	6/1987	Starkey	D10/71
D330,376 S *	10/1992	Kawaguchi	D14/212
D424,523 S *	5/2000	Hughes	D13/147
D478,064 S *	8/2003	Jordan	D14/212
7,219,830 B2 *	5/2007	West	B65D 5/029 229/101.1

D560,165 S *	1/2008	Matityahu	D13/133
D622,256 S *	8/2010	Lockenwitz	D14/155
D661,286 S *	6/2012	McManigal	D14/240
D663,843 S *	7/2012	Wang	D24/166
D686,192 S *	7/2013	Widner	D14/212
D694,233 S *	11/2013	Hoofnagle	D14/356
D698,338 S *	1/2014	Ingham	D14/218
D735,592 S *	8/2015	Cha	D10/70
D737,250 S *	8/2015	Ingham	D14/218
D752,591 S *	3/2016	Ozolins	D14/434
2004/0228090 A1 *	11/2004	Blackwell	H05K 7/1457 361/695
2005/0255895 A1 *	11/2005	Lee	G06F 1/1632 455/573
2007/0174492 A1 *	7/2007	Light	H04L 43/00 709/250
2007/0211579 A1 *	9/2007	Yoshimura	H04R 5/04 369/7
2016/0103507 A1 *	4/2016	Lee	G06F 3/03 345/179

* cited by examiner

Primary Examiner — Susan Bennett Hattan

Assistant Examiner — Marie Fast Horse

(74) *Attorney, Agent, or Firm* — Keller Jolley Preece

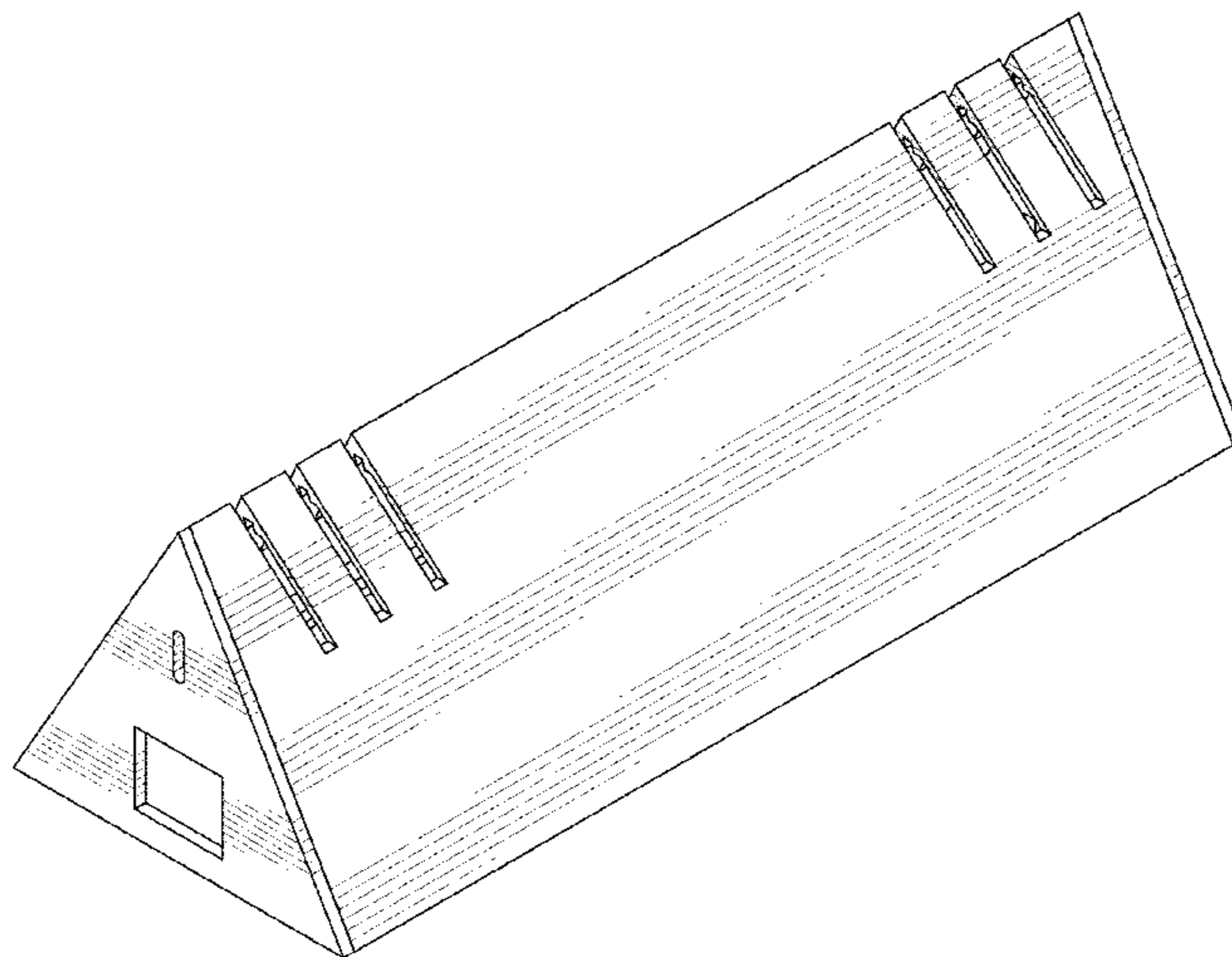
(57) **CLAIM**

The ornamental design for a network tap, as shown and described.

DESCRIPTION

FIG. 1 is a first perspective view of a network tap showing the new design, which shows a front of the network tap; FIG. 2 is a second perspective view thereof, which shows a back of the network tap; FIG. 3 is a right side elevational view thereof; FIG. 4 is a left side elevational view thereof; FIG. 5 is a front elevational view thereof; FIG. 6 is a back elevational view thereof; FIG. 7 is top plan view thereof; and, FIG. 8 is a bottom plan view thereof.

1 Claim, 6 Drawing Sheets



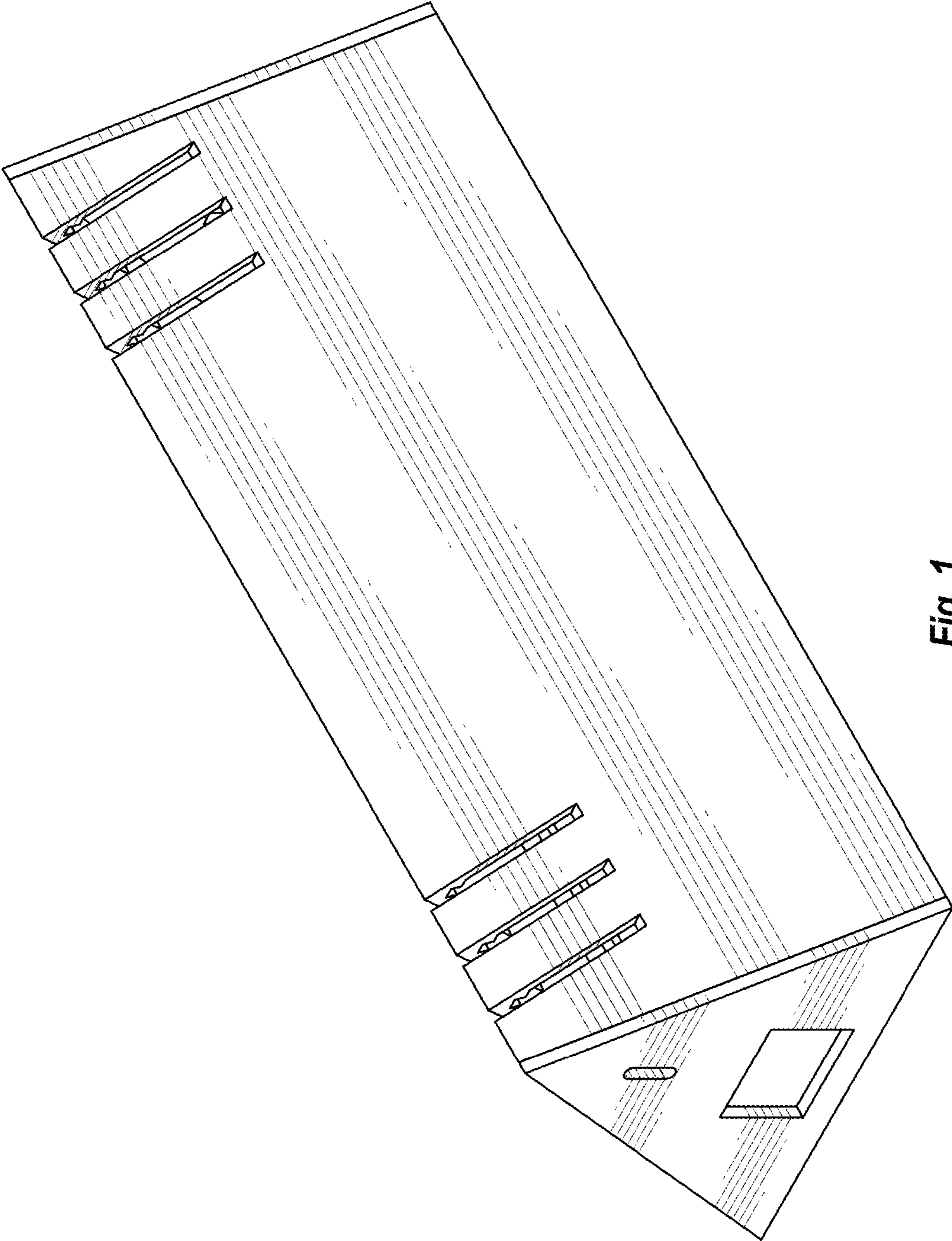


Fig. 1

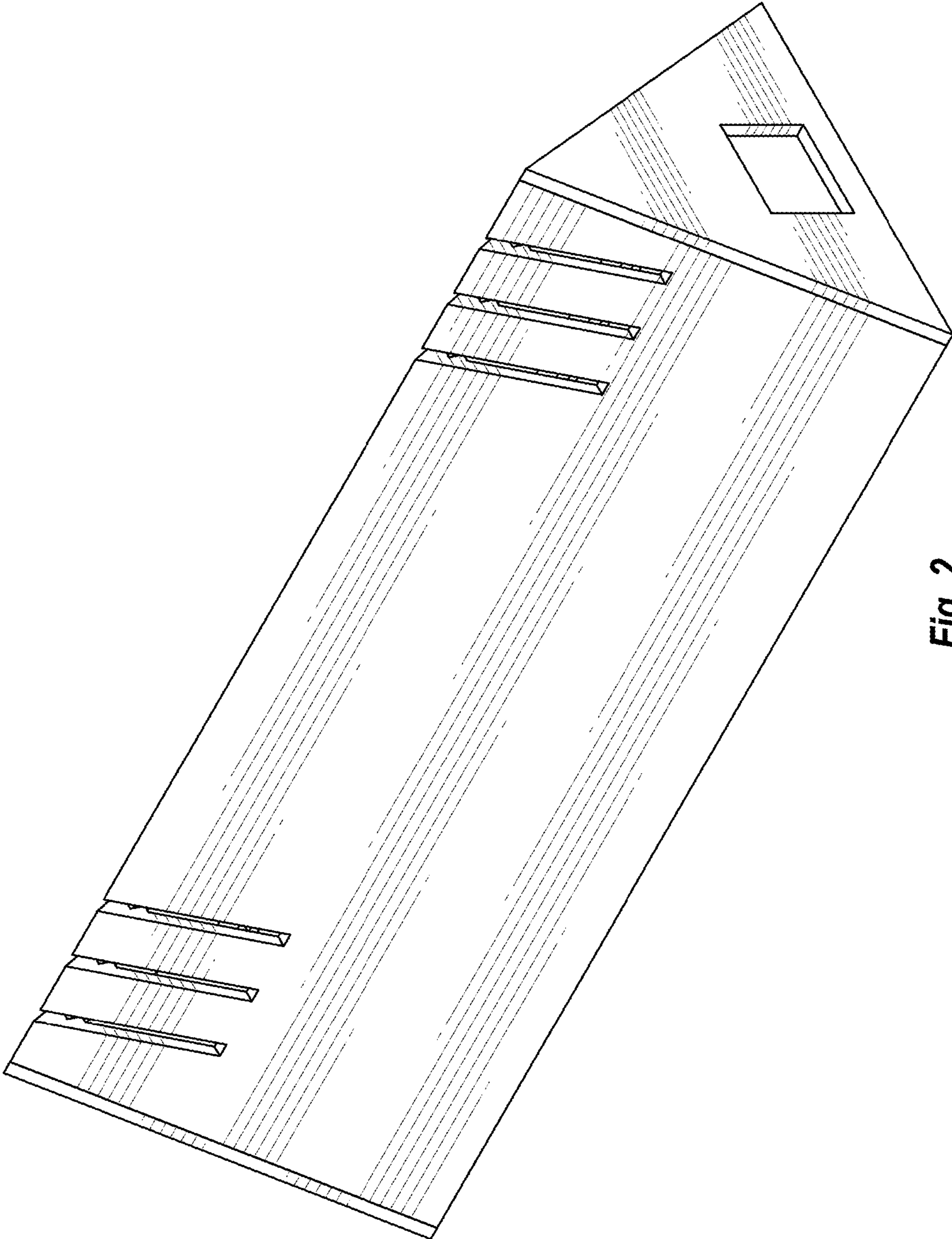


Fig. 2

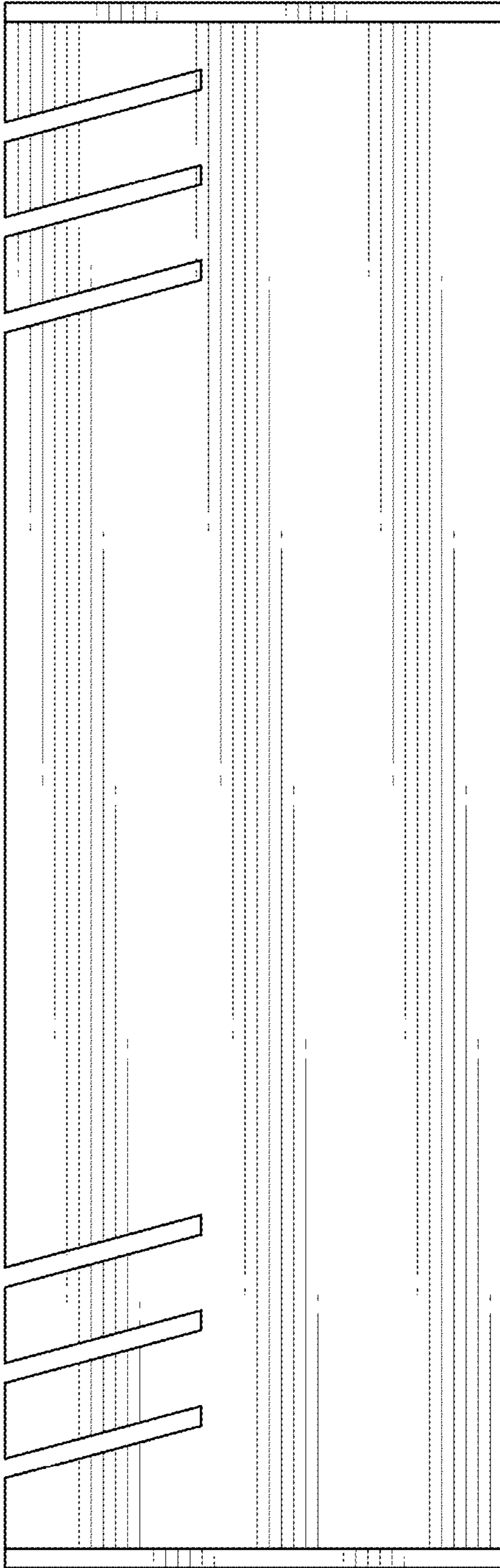


Fig. 3

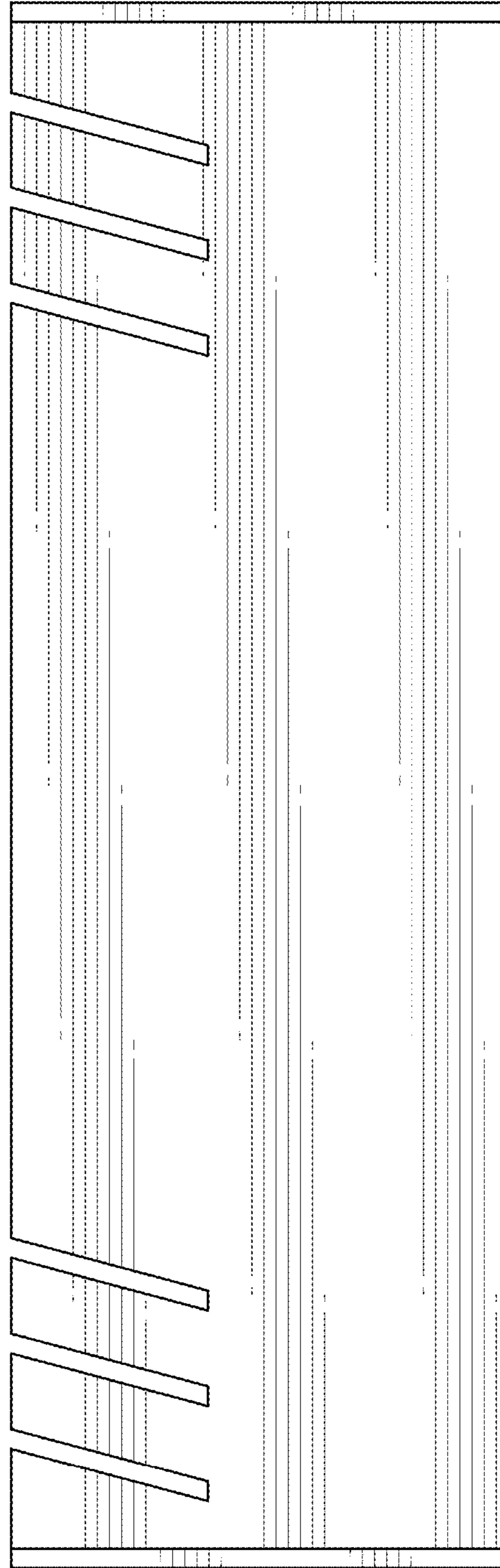


Fig. 4

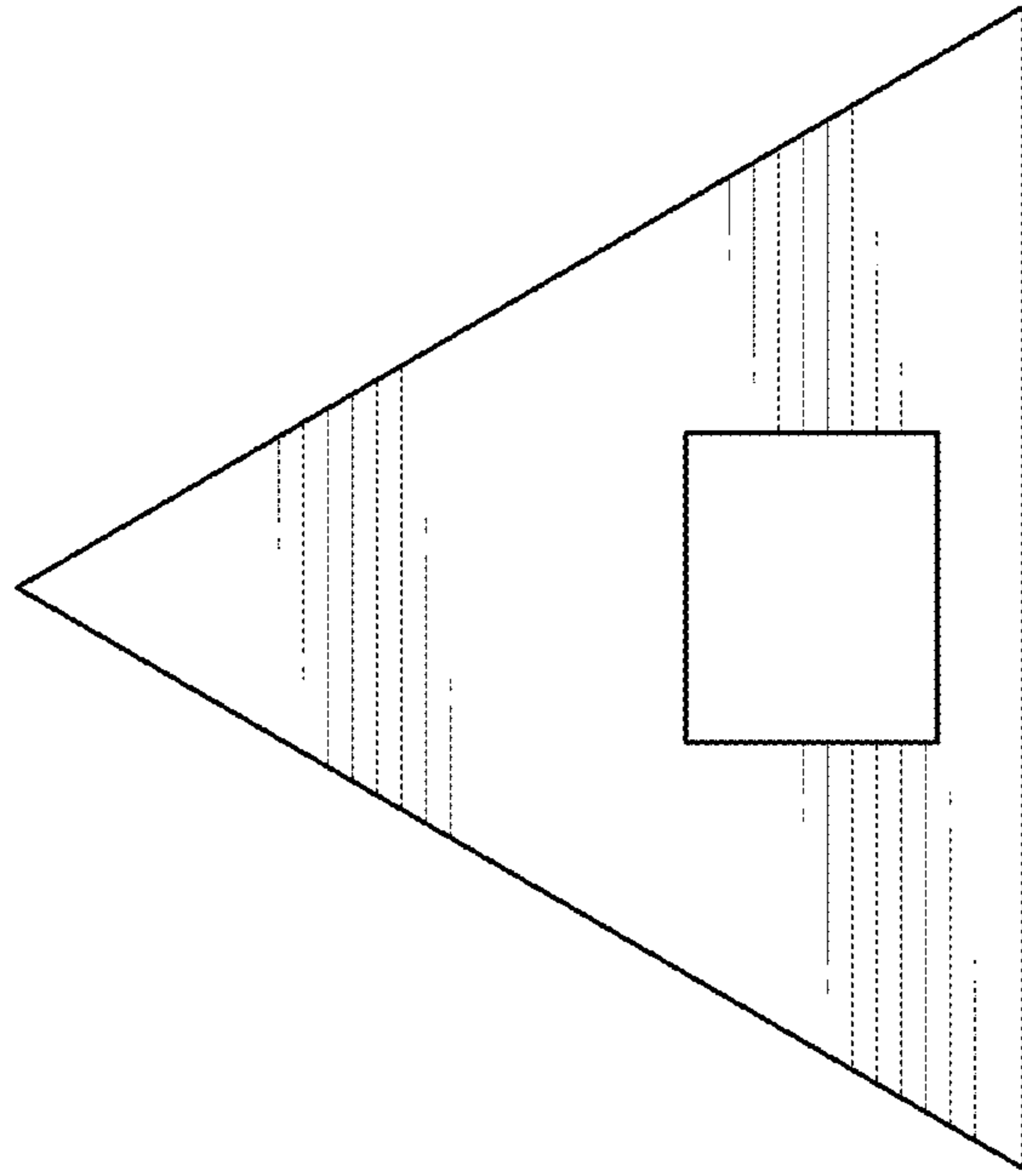


Fig. 6

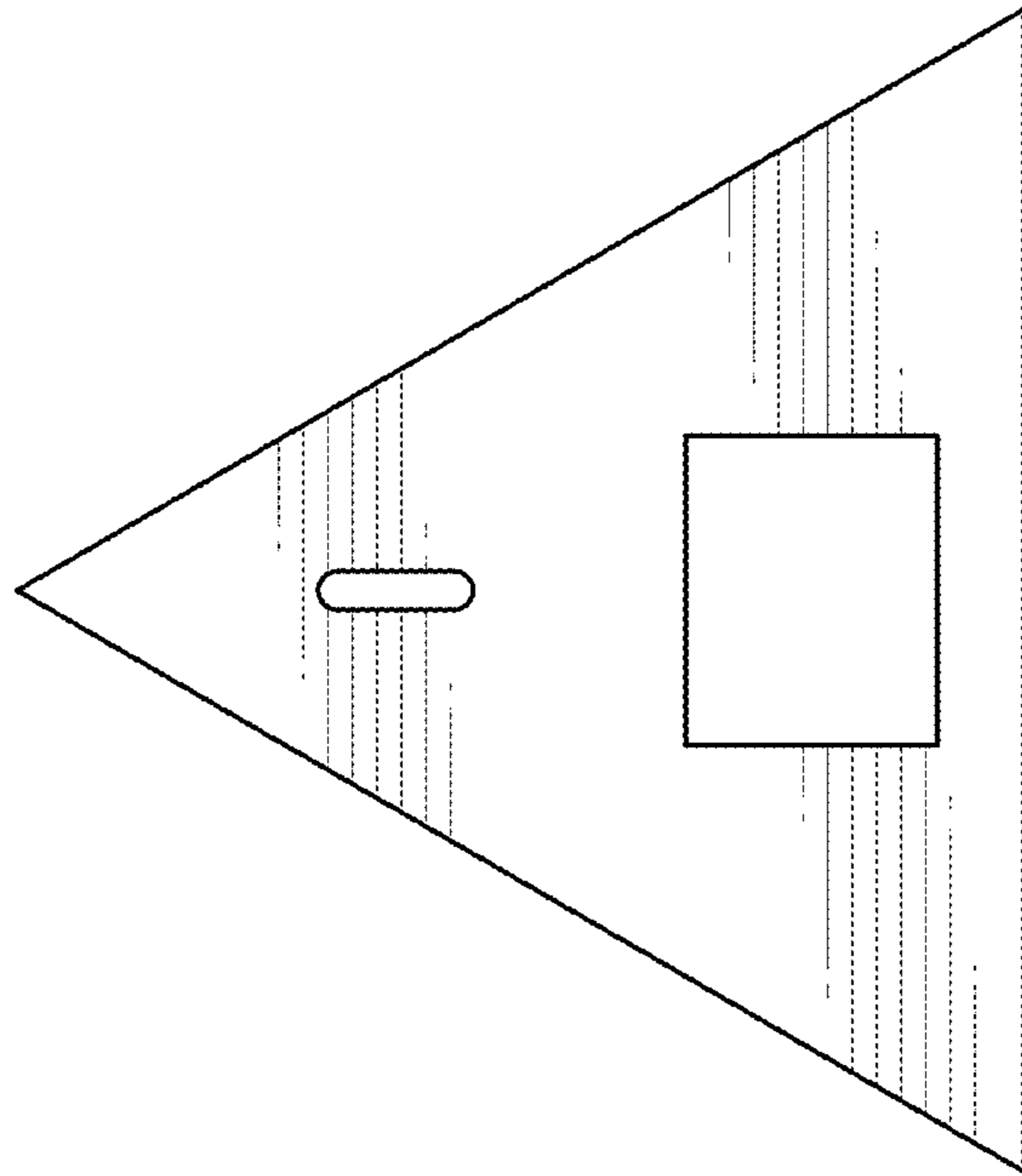


Fig. 5

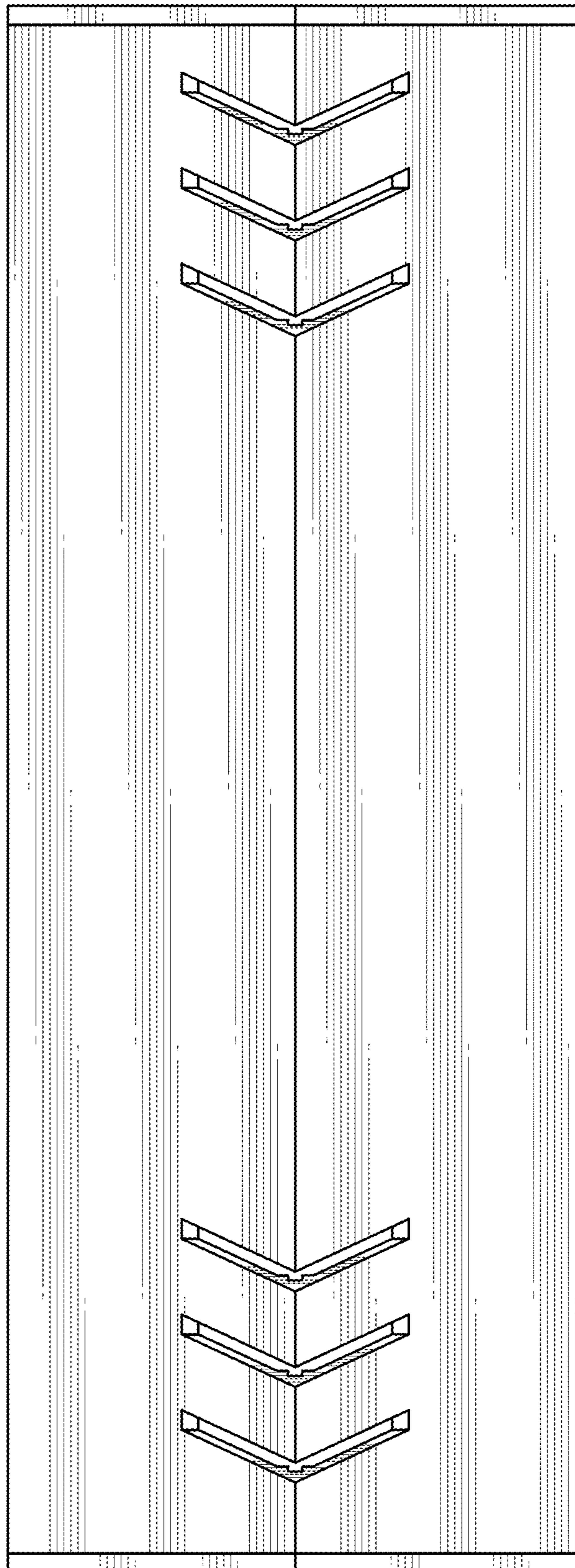


Fig. 7

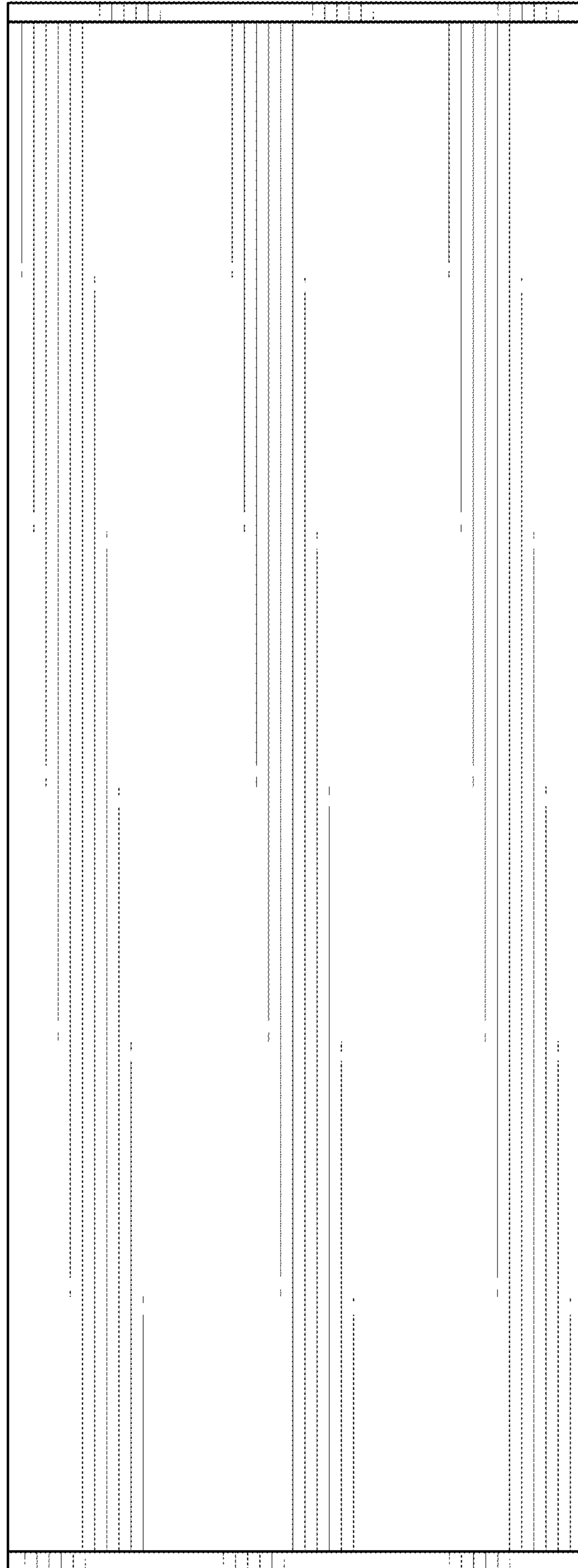


Fig. 8