



US00D772228S

(12) **United States Design Patent**
Jung et al.

(10) **Patent No.:** **US D772,228 S**
(45) **Date of Patent:** **** Nov. 22, 2016**

(54) **PORTABLE ELECTRONIC DEVICE**

(71) Applicant: **Samsung Electronics Co., Ltd.**,
Suwon-si (KR)

(72) Inventors: **Hayoul Jung**, Yongin-si (KR);
Jaehyung Hong, Seoul (KR); **Jinseok Hwang**,
Changwon-si (KR); **Yongseok Bang**, Yongin-si (KR)

(73) Assignee: **SAMSUNG ELECTRONICS CO., LTD.**,
Suwon-Si (KR)

(**) Term: **14 Years**

(21) Appl. No.: **29/511,415**

(22) Filed: **Dec. 10, 2014**

(30) **Foreign Application Priority Data**

Aug. 25, 2014 (KR) 30-2014-0041210

(51) **LOC (10) Cl.** **14-02**

(52) **U.S. Cl.**
USPC **D14/344**

(58) **Field of Classification Search**

USPC D14/344, 341, 138 R, 138 G, 450;
D10/30, 31, 32, 65, 70; 368/10, 4, 13,
368/281, 223; D24/165; 600/301, 384;
455/556.1, 575.6; D11/3; D6/300;
D16/135; 359/359, 810; D12/417;
D20/10; 40/124.02, 606.12; D21/333;
D26/120; 362/109

CPC G06F 1/16
See application file for complete search history.

(56) **References Cited**

U.S. PATENT DOCUMENTS

294,171 A * 2/1884 Watts G02B 25/002
112/225

D37,307 S * 1/1905 Collins, Jr. D6/300
1,415,511 A * 5/1922 Bausch G02B 27/021
359/812
2,166,988 A * 7/1939 Fosdick G02B 25/008
359/711

(Continued)

FOREIGN PATENT DOCUMENTS

JP D1525592 6/2015
KR 30-0495673 6/2008

(Continued)

OTHER PUBLICATIONS

Adidas Smarttrun—a smartwatch customized for sports, http://money.joins.com/news/article/article.asp?total_id=13267958&ctg=16, (Published Nov. 29, 2013).

(Continued)

Primary Examiner — Paula Greene

(74) *Attorney, Agent, or Firm* — McAndrews Held & Malloy, Ltd.

(57) **CLAIM**

The ornamental design for a portable electronic device, as shown and described.

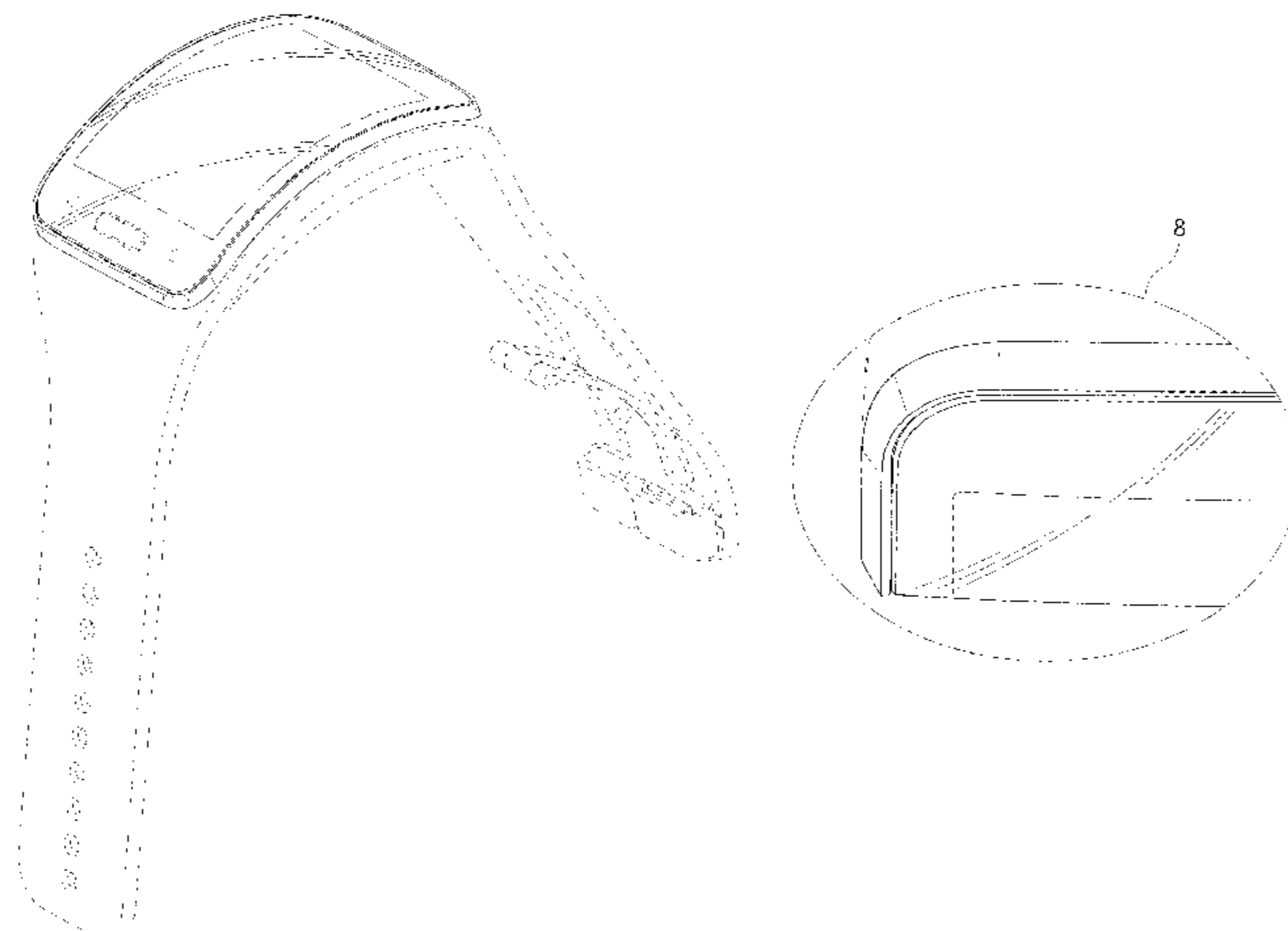
DESCRIPTION

FIG. 1 is a bottom right front perspective view of a portable electronic device showing our new design; FIG. 2 is a front elevation view thereof; FIG. 3 is a rear elevation view thereof; FIG. 4 is a left side elevation view thereof; FIG. 5 is a right side elevation view thereof; FIG. 6 is a top plan view thereof; FIG. 7 is a bottom plan view thereof; and, FIG. 8 is an enlarged view of the portion encircled in FIG. 6.

The even length dashed broken lines represent unclaimed portions of the portable electronic device and form no part of the claimed design.

In FIGS. 6 and 8, the uneven length dot-dash broken lines encircling a portion of the claimed design for illustrating an enlargement form no part of the claimed design.

1 Claim, 8 Drawing Sheets



(56)

References Cited

U.S. PATENT DOCUMENTS

2,169,738 A * 8/1939 Moody A44C 5/24
368/281
2,449,886 A * 9/1948 Dougherty G02B 3/12
348/832
D218,002 S * 7/1970 Cobbs D3/227
D219,065 S * 10/1970 Zelnick D10/62
D222,386 S * 10/1971 Kirschner D10/67
4,012,127 A * 3/1977 Bolander G02B 25/002
359/440
4,853,682 A * 8/1989 Asano G04G 21/00
345/169
D333,146 S * 2/1993 McDevitt D16/135
D344,338 S * 2/1994 Yoshikawa D24/165
D350,351 S * 9/1994 Nakamura D14/498
D355,371 S * 2/1995 Strasser D10/30
D356,151 S * 3/1995 Ishii D24/165
D361,042 S * 8/1995 Nanayakkara D10/30
D366,036 S * 1/1996 Houlihan D10/30
D366,048 S * 1/1996 Tokiyama D14/258
5,486,986 A * 1/1996 Brada F21V 33/0052
362/109
D371,243 S * 7/1996 Diaz D6/300
D386,801 S * 11/1997 Orgovan D20/10
D398,999 S * 9/1998 Maeda D24/165
D439,172 S * 3/2001 Brzezinski D10/30
D448,680 S * 10/2001 Kubo D10/30
D466,130 S * 11/2002 Hussaini D14/496
D466,487 S * 12/2002 Wada D10/31
D468,648 S * 1/2003 Starck D10/38
6,648,484 B1 * 11/2003 Burke B60R 1/02
359/879
D489,383 S * 5/2004 Overholser D16/101
6,978,160 B2 * 12/2005 Hutchison H04B 1/385
455/573
D525,710 S * 7/2006 Kobayashi D24/165
D526,912 S * 8/2006 Calvani D10/38
D528,928 S * 9/2006 Burton D10/38
D550,105 S * 9/2007 Oberrieder D10/65
7,280,100 B2 * 10/2007 Hanson G06F 1/1601
345/169
D568,768 S * 5/2008 Tang D10/30
7,411,795 B2 * 8/2008 Park H04M 1/04
361/801
D576,501 S * 9/2008 Tang D10/31
D584,303 S * 1/2009 Andre D14/341
D589,374 S * 3/2009 Tang D10/32
D596,610 S * 7/2009 Hou D10/32
D610,568 S * 2/2010 Yu D14/203.1
D621,726 S * 8/2010 Lattmann D10/38

D621,808 S * 8/2010 Kim D14/138 R
D628,498 S * 12/2010 Arellano D10/38
D636,686 S * 4/2011 Cobbett D10/38
D637,918 S * 5/2011 Cobbett D10/31
D638,723 S * 5/2011 Ong D10/32
D639,955 S * 6/2011 Riobo Aboy D24/165
D650,352 S * 12/2011 Cho D14/138 G
D656,502 S * 3/2012 Cacioppo D14/453
8,345,414 B2 * 1/2013 Mooring G04G 17/04
248/441.1
D703,069 S * 4/2014 Adams D10/31
8,787,006 B2 * 7/2014 Golko G06F 1/163
361/679.03
D712,930 S * 9/2014 Lee D14/496
D714,288 S * 9/2014 Aumiller D14/344
D715,281 S * 10/2014 Kim D14/248
8,942,070 B1 * 1/2015 Shah G04G 9/0082
368/223
D724,556 S * 3/2015 Choi D10/32
D725,072 S * 3/2015 Kim D10/38
D728,624 S * 5/2015 Akana D14/496
D729,650 S * 5/2015 Phillips D10/32
D729,652 S * 5/2015 Nuovo D10/32
D732,527 S * 6/2015 Kim D14/344
D733,133 S * 6/2015 Kim D14/344
D735,927 S * 8/2015 Lee D26/120
D736,652 S * 8/2015 Isaacs D10/32
D738,237 S * 9/2015 Song D10/30
D752,582 S * 3/2016 Jung D14/138 R
D754,127 S * 4/2016 Jung D14/344
D755,176 S * 5/2016 Jung D14/344
D755,177 S * 5/2016 Jung D14/344
2006/0140055 A1 * 6/2006 Ehrsam A44C 5/18
368/10
2009/0171788 A1 * 7/2009 Tropper A61B 5/1118
705/14.61
2013/0261405 A1 * 10/2013 Lee A61B 5/681
600/301

FOREIGN PATENT DOCUMENTS

KR 30-0625754 12/2011
TW D134669 5/2010

OTHER PUBLICATIONS

Sonostar smartwatch first to use new 1.73-inch e ink mobius display,
<http://www.digitaltrends.com/mobile/sonostar-smartwatch-first-to-use-new-1-7-inch-e-ink-display> (Published Jun. 4, 2013).

* cited by examiner

FIG. 1

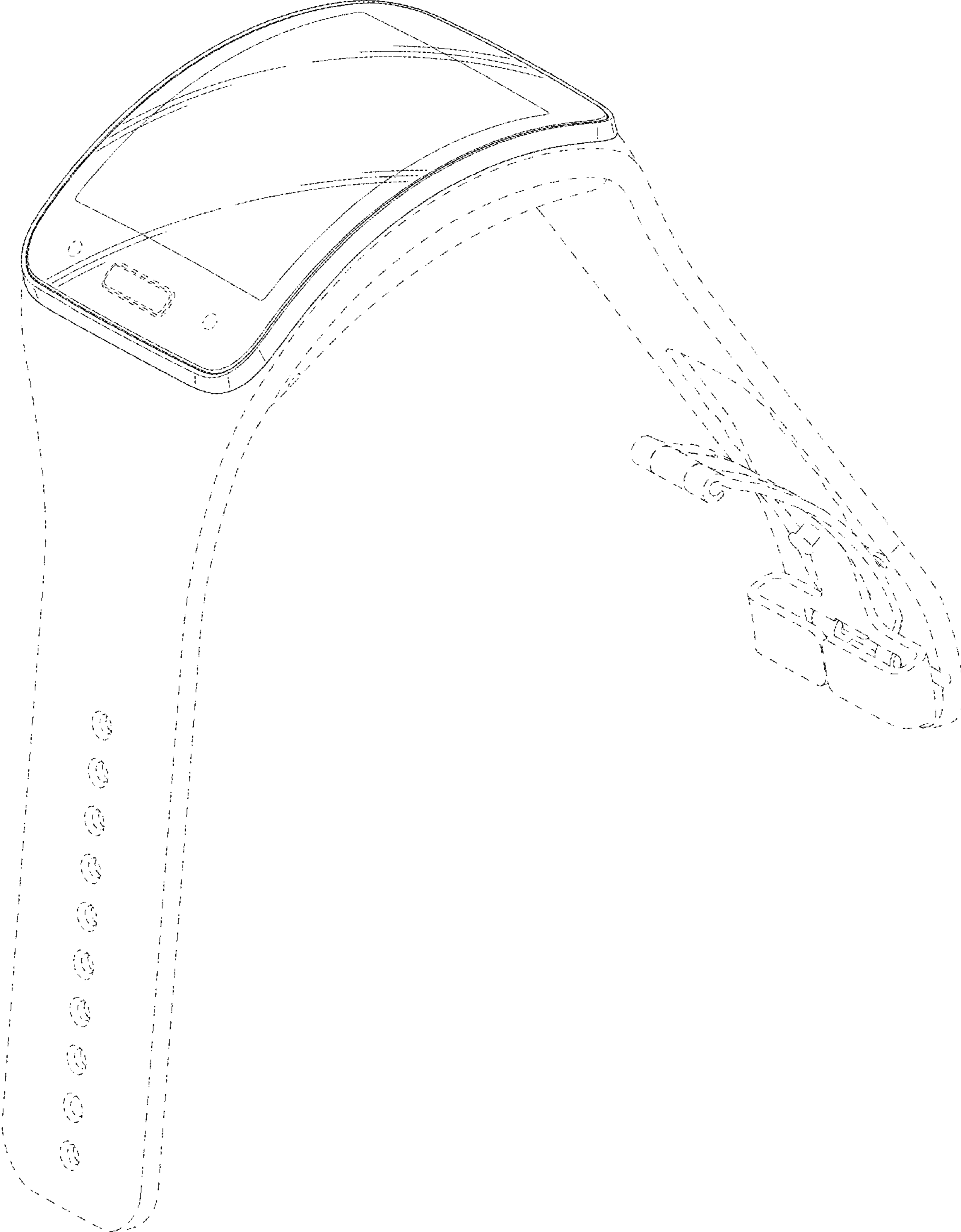


FIG. 2

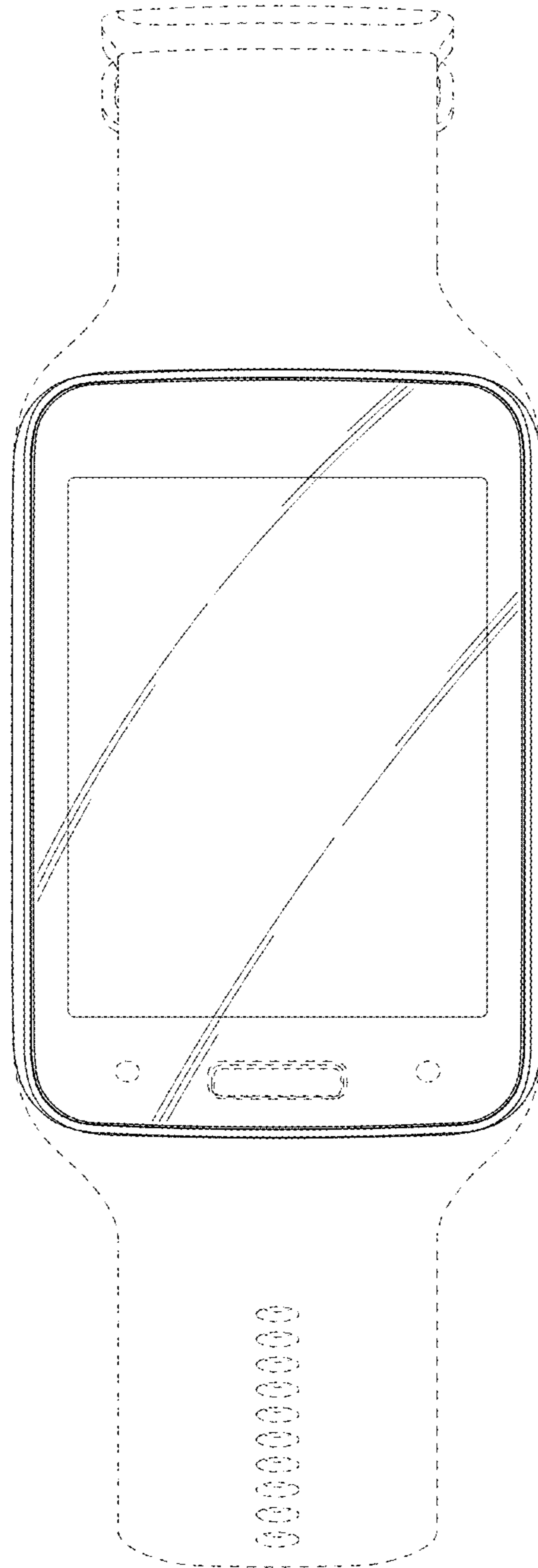


FIG. 3

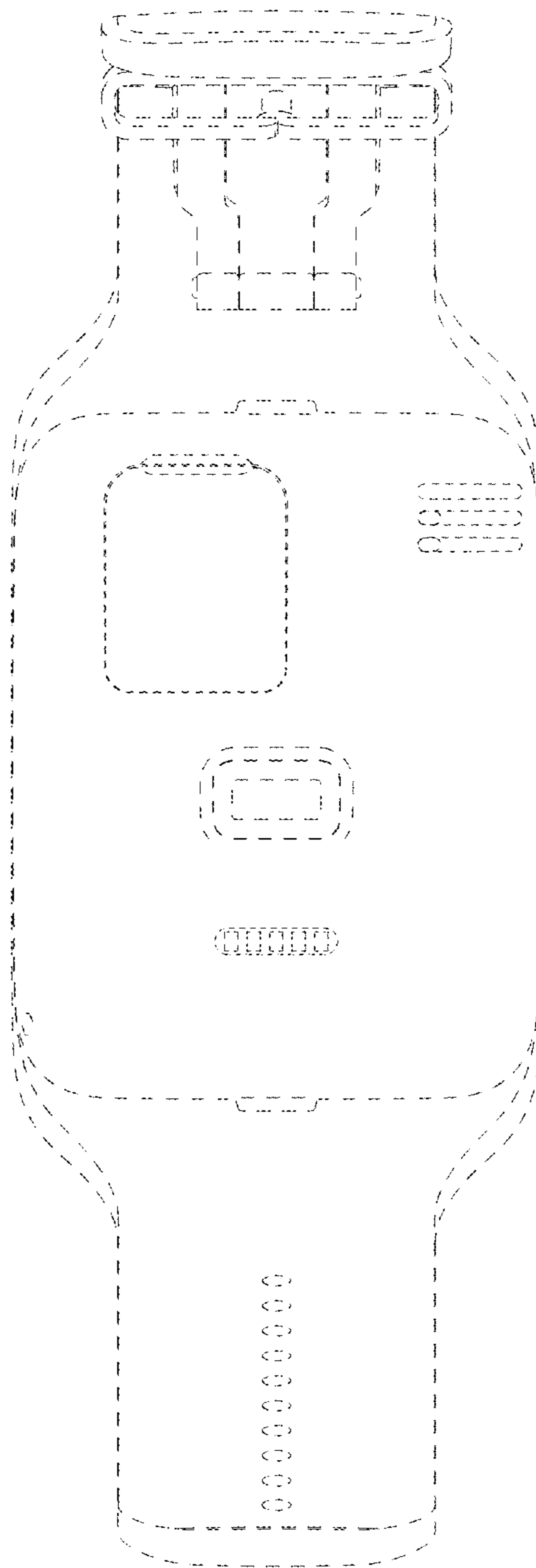


FIG. 4

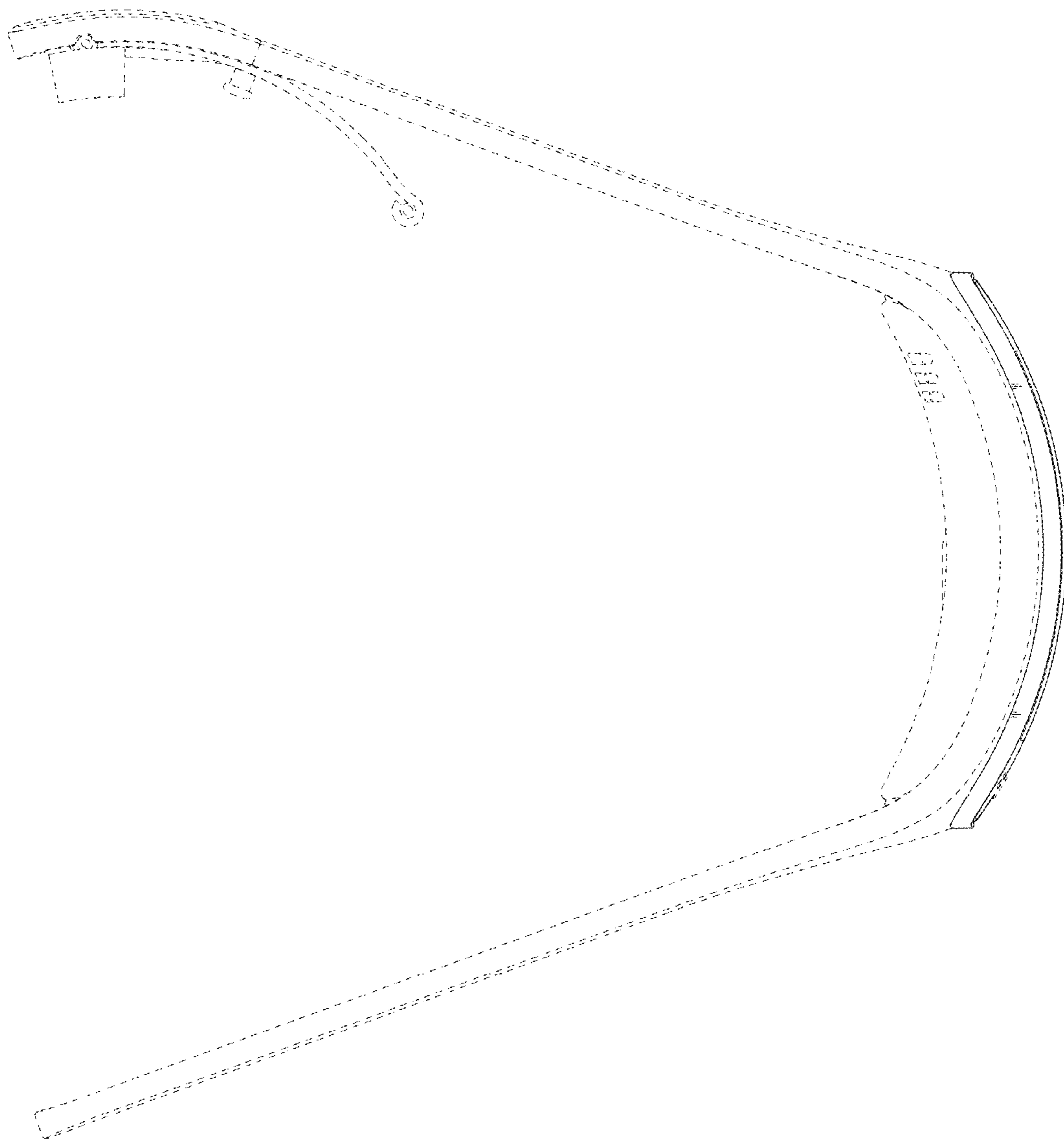


FIG. 5

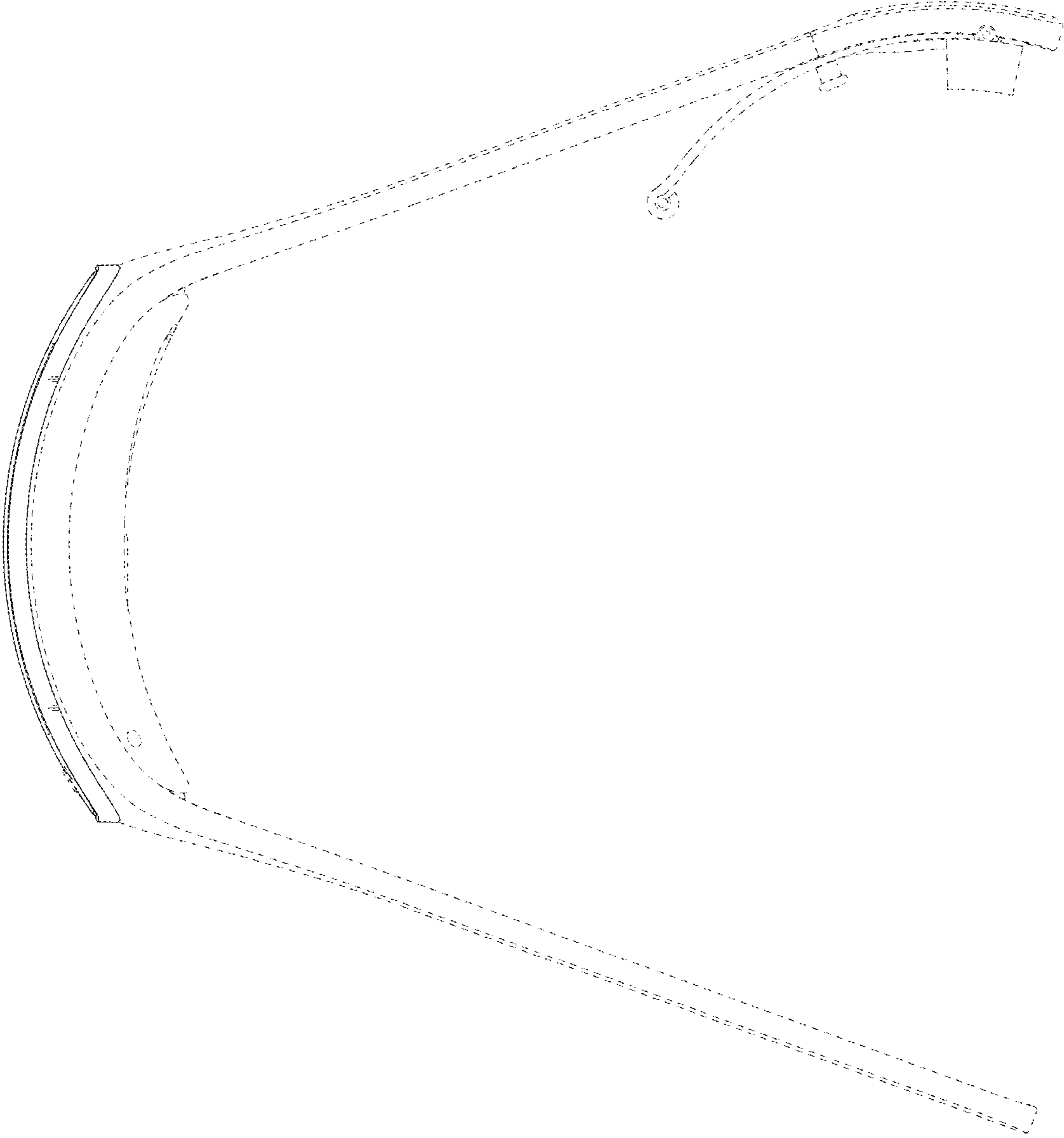


FIG. 6

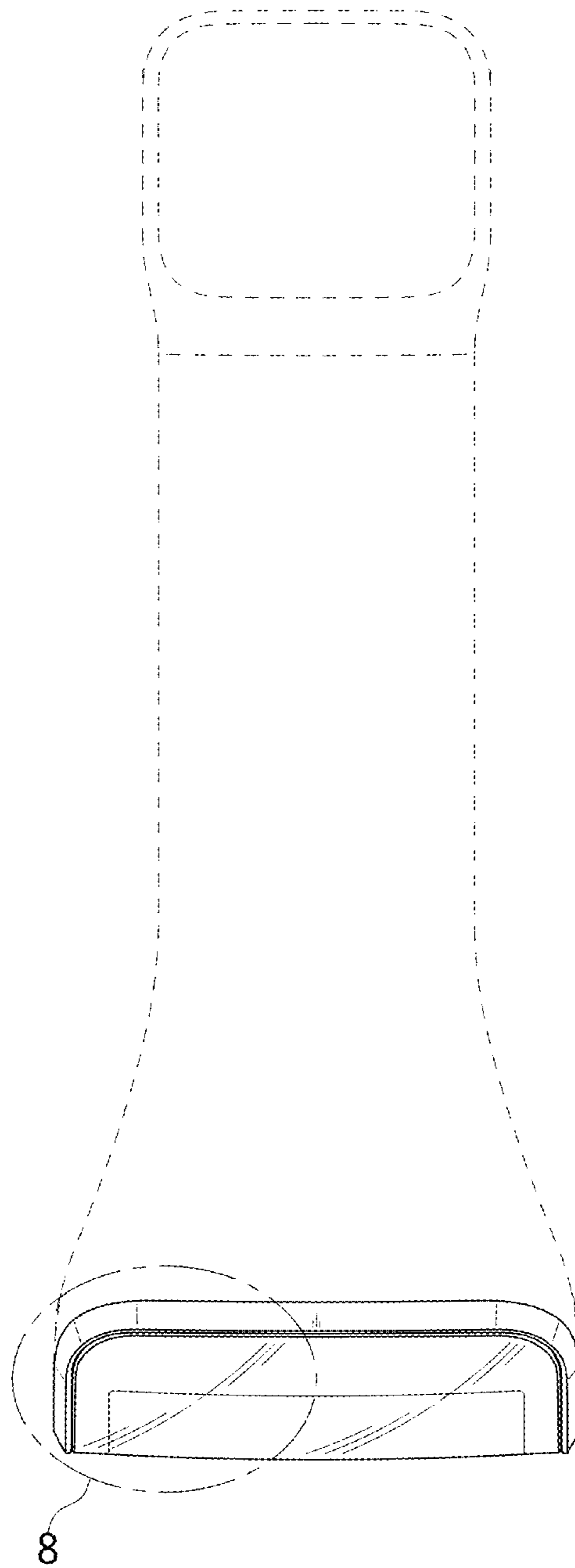


FIG. 7

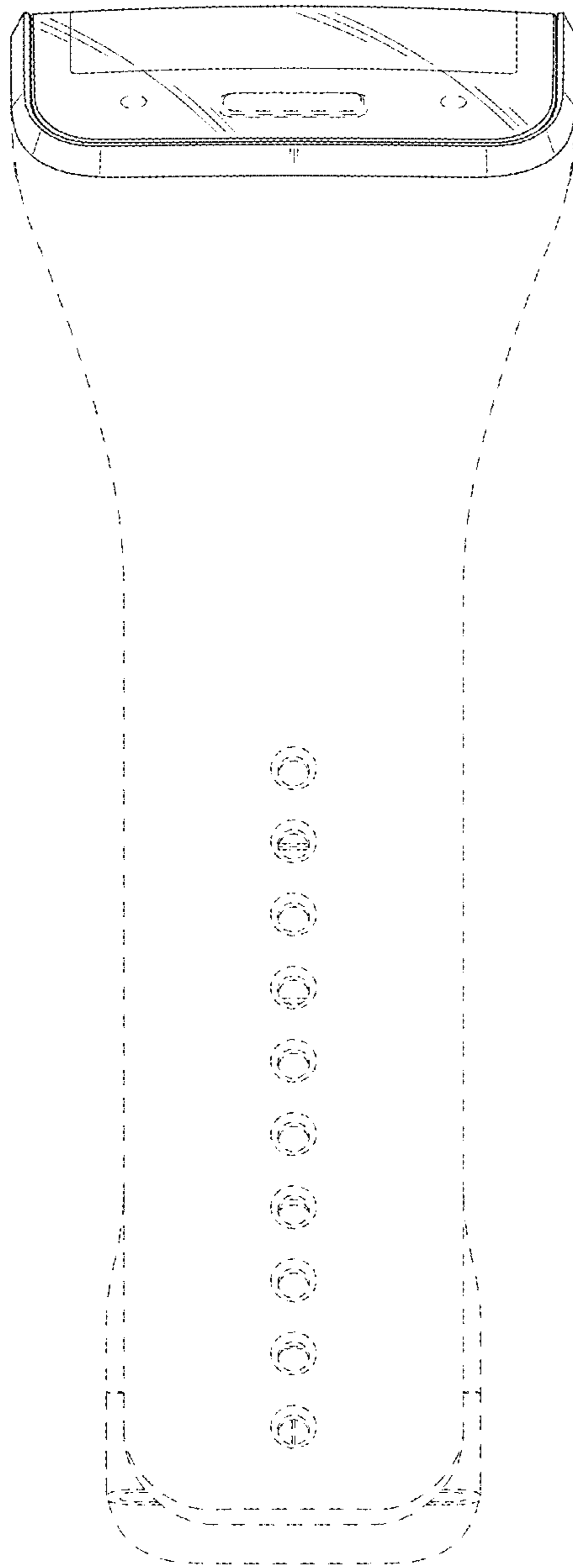


FIG. 8

