



US00D772227S

(12) **United States Design Patent**
Shan et al.

(10) **Patent No.:** **US D772,227 S**

(45) **Date of Patent:** **** Nov. 22, 2016**

(54) **BLUETOOTH WRISTWATCH**

(71) Applicant: **Neusoft Xikang Healthcare Technology Co., Ltd**, Beijing (CN)

(72) Inventors: **Riqiang Shan**, Beijing (CN); **Pinyan Li**, Beijing (CN)

(73) Assignee: **NEUSOFT XIKANG HEALTHCARE TECHNOLOGY CO., LTD**, Beijing (CN)

(**) Term: **14 Years**

(21) Appl. No.: **29/503,300**

(22) Filed: **Sep. 24, 2014**

(30) **Foreign Application Priority Data**

Jul. 7, 2014 (CN) 2014 3 0225707

(51) **LOC (10) Cl.** **14-02**

(52) **U.S. Cl.**
USPC **D14/344**

(58) **Field of Classification Search**
USPC D14/341–347, 371, 426, 427; D11/3;
D10/30–39, 70, 128
CPC A61B 2017/60442; A61B 2017/6824;
A61B 5/681; A61B 5/02438; A61B 5/1112;
A61B 5/0022; H04B 1/385; A44C 5/14;
A44C 5/12

See application file for complete search history.

(56) **References Cited**

U.S. PATENT DOCUMENTS

- 2,467,050 A * 4/1949 Piquerez G04B 19/065
368/294
- D247,701 S * 4/1978 Kwon D10/31
- D261,733 S * 11/1981 Iida D10/39
- D269,951 S * 8/1983 Eberhardt D10/38
- D286,269 S * 10/1986 Matsuo D10/31
- D351,799 S * 10/1994 Bulgari D10/39
- D352,666 S * 11/1994 Williams D10/31
- D408,302 S * 4/1999 Yida D10/30

- D408,795 S * 4/1999 Wells D14/344
- D462,909 S * 9/2002 Cattin D10/39
- D494,070 S * 8/2004 Debetaz D10/32
- D531,524 S * 11/2006 Behling D10/38
- D539,671 S * 4/2007 Lassigne D10/32
- D547,210 S * 7/2007 Gruosi-Scheufele D10/39

(Continued)

OTHER PUBLICATIONS

Bluetooth Fitness Watch, announced 2014 [online], [site visited Mar. 31, 2016]. Available from Internet, URL: <<http://neusoftxikang.en.ecplaza.net/bluetooth-fitness-watch--416518-3503362.html>>.*

(Continued)

Primary Examiner — Barbara Fox

Assistant Examiner — Dana K Weiland

(74) *Attorney, Agent, or Firm* — Kilpatrick Townsend & Stockton LLP

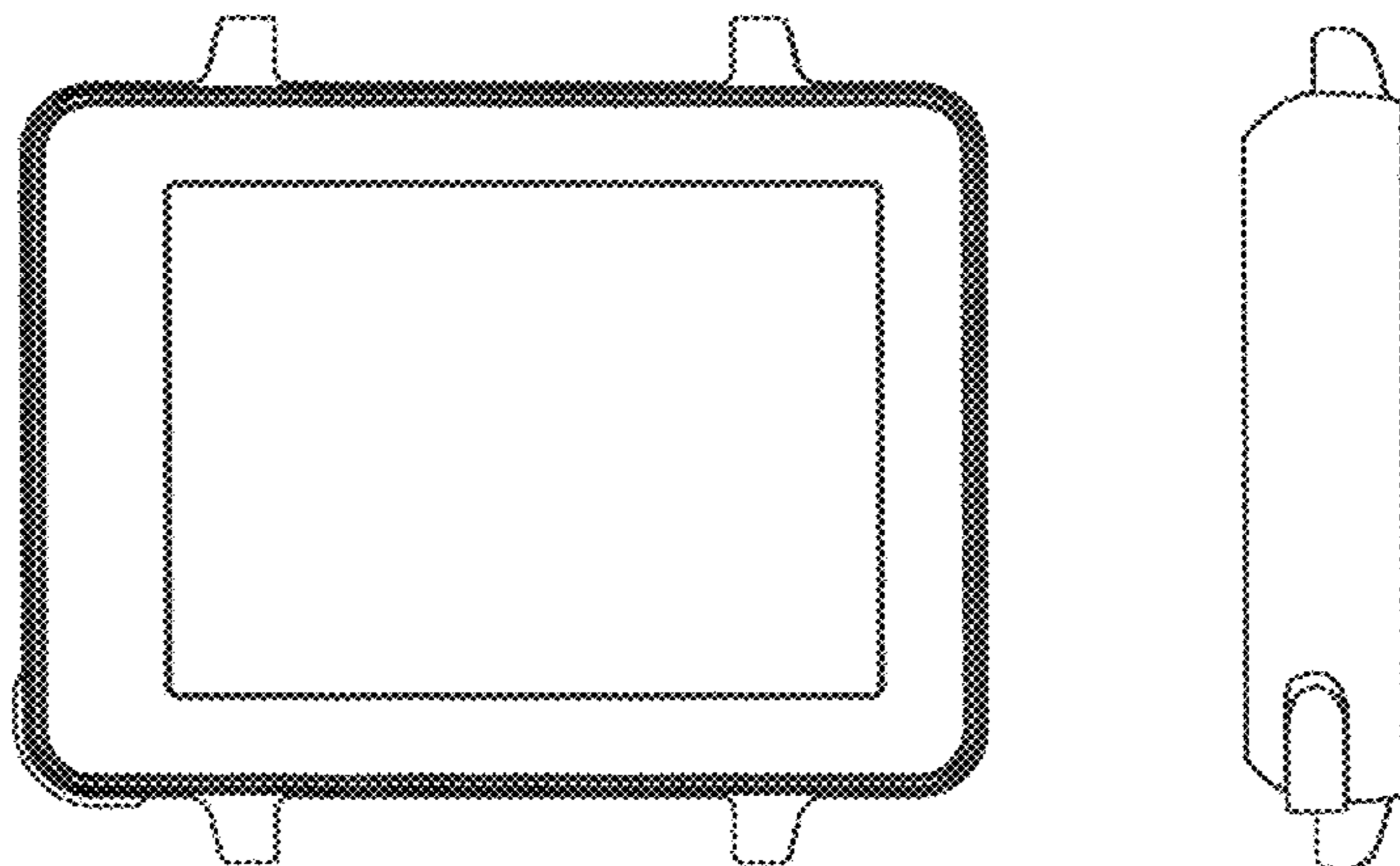
(57) **CLAIM**

The ornamental design for a bluetooth wristwatch, as shown and described.

DESCRIPTION

FIG. 1 is a front view of a bluetooth wristwatch according to the present application;
 FIG. 2 is a rear view of the bluetooth wristwatch according to the present application;
 FIG. 3 is a left view of the bluetooth wristwatch according to the present application;
 FIG. 4 is a right view of the bluetooth wristwatch according to the present application;
 FIG. 5 is a top view of the bluetooth wristwatch according to the present application; and,
 FIG. 6 is a bottom view of the bluetooth wristwatch according to the present application.
 The broken lines in the drawings depict portions of the bluetooth wristwatch that form no part of the claimed design.

1 Claim, 5 Drawing Sheets



(56)

References Cited

U.S. PATENT DOCUMENTS

D565,972 S * 4/2008 Rochat D10/39
 D576,892 S * 9/2008 Gruosi D10/38
 D622,166 S * 8/2010 Monachon D10/39
 D625,721 S * 10/2010 Ferber D14/358
 D639,955 S * 6/2011 Riobo Aboy D24/165
 D648,298 S * 11/2011 Pierce D14/138 G
 D650,709 S * 12/2011 Dupont D10/39
 D652,327 S * 1/2012 Bodino D10/38
 D672,255 S * 12/2012 Zanella D10/32
 D672,667 S * 12/2012 Mix D10/65
 D673,950 S * 1/2013 Li D14/341
 D676,007 S * 2/2013 McCrary D14/126
 D677,255 S * 3/2013 McManigal D14/341
 D688,967 S * 9/2013 Wilson D10/128
 D694,753 S * 12/2013 McManigal D14/368
 D701,862 S * 4/2014 Lee D14/420
 D705,673 S * 5/2014 Arellano D10/38
 8,787,006 B2 * 7/2014 Golko G06F 1/163
 361/679.03
 D720,346 S * 12/2014 Davis D14/341
 D724,556 S * 3/2015 Choi D10/32
 D729,237 S * 5/2015 Fagnot D14/344
 D729,652 S * 5/2015 Nuovo D10/32
 D730,210 S * 5/2015 Song D10/103

D734,176 S * 7/2015 Isaacs D10/30
 D735,710 S * 8/2015 Song D10/38
 D737,157 S * 8/2015 Akana D10/32
 D738,372 S * 9/2015 Song D10/32
 D740,693 S * 10/2015 Carmichael D10/32
 D743,278 S * 11/2015 Solomon D10/38
 D747,978 S * 1/2016 Babcock D10/30
 D751,550 S * 3/2016 Solomon D10/38
 D757,567 S * 5/2016 Henderson D10/30
 D759,011 S * 6/2016 Akana D14/344
 2007/0159321 A1 * 7/2007 Ogata A61B 5/0002
 340/539.12
 2007/0181456 A1 * 8/2007 Kusuda G06F 1/1626
 206/443
 2009/0312655 A1 * 12/2009 Lo A61B 5/02438
 600/503
 2012/0061542 A1 * 3/2012 Bostater G06F 1/1628
 248/278.1

OTHER PUBLICATIONS

Smart Watch, annoued Sep. 12, 2014 [online], [site visited Mar. 31, 2016]. Available from Internet, URL: <<http://www.made-in-china.com/showroom/manshu0608/product-detailpSTxBbgDYHVP/China-Smart-Watch.html>>.*

* cited by examiner

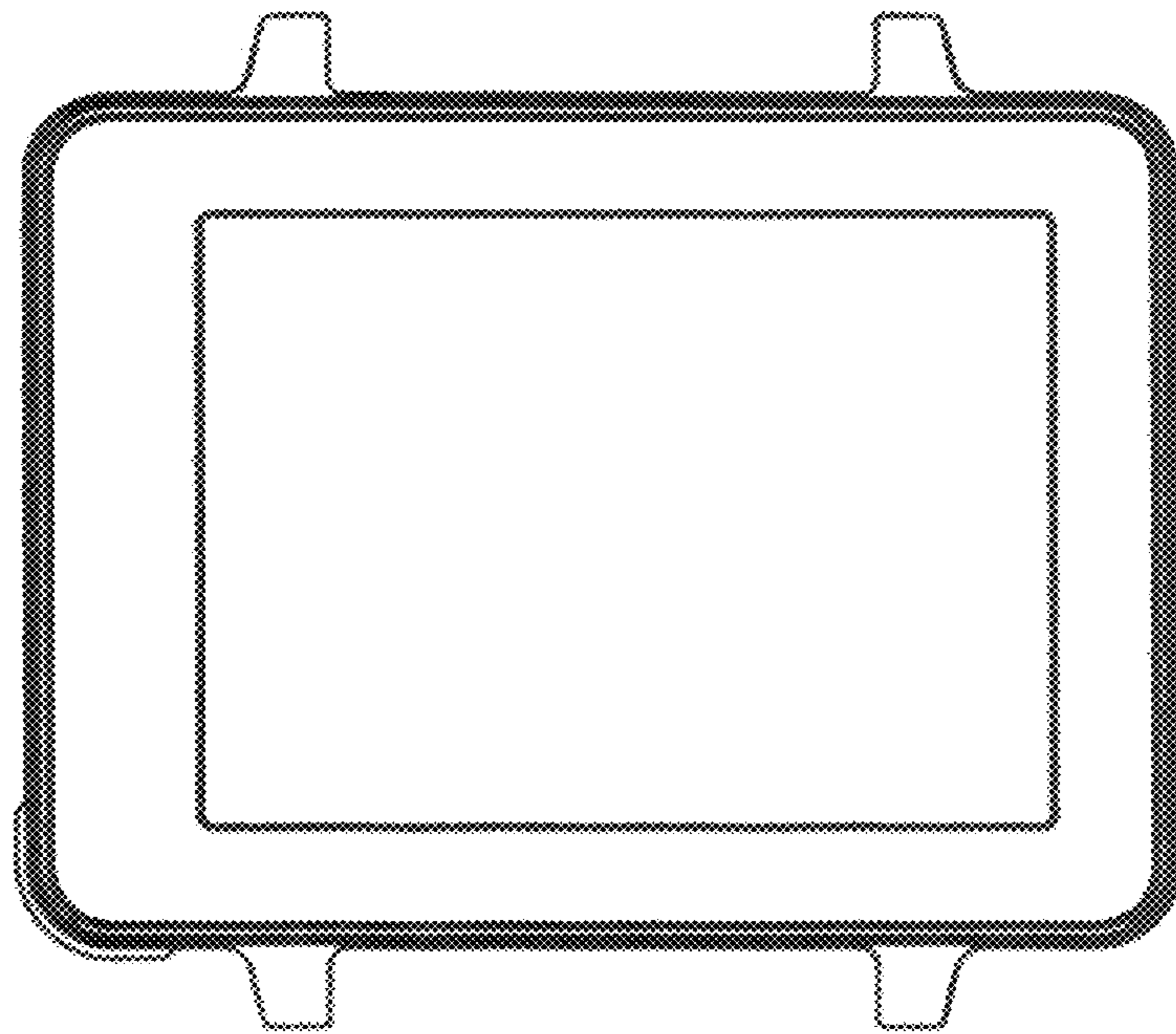


Figure 1

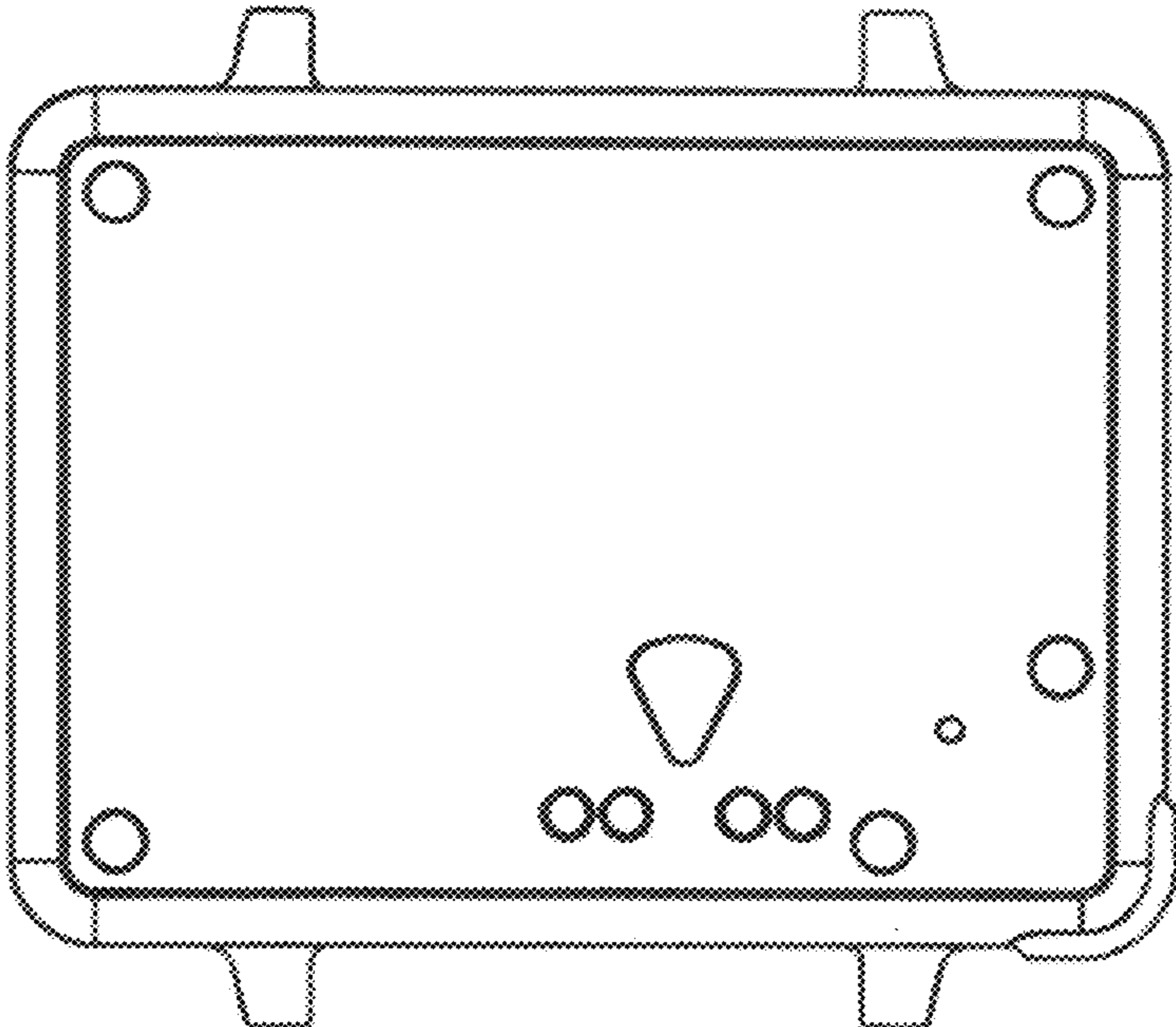


Figure 2

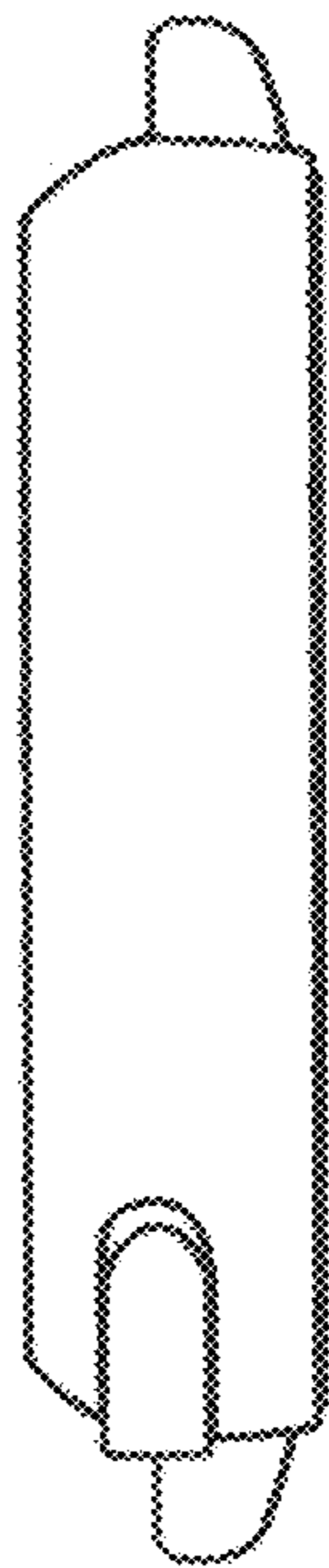


Figure 3

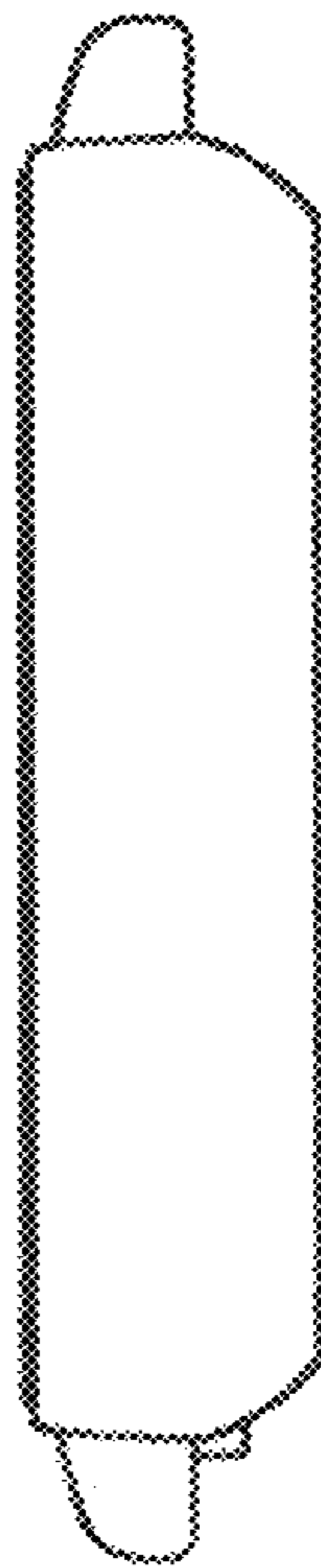


Figure 4



Figure 5



Figure 6