



US00D772226S

(12) **United States Design Patent** (10) **Patent No.:** **US D772,226 S**
Zenoff (45) **Date of Patent:** **** Nov. 22, 2016**

(54) **ELECTRONIC DISPLAY SCREEN WITH A WEARABLE BAND**

1,378,977 A 5/1921 Parmley
D58,303 S 7/1921 Bartholomew
1,427,891 A * 9/1922 Ziegler G09F 3/005
224/219

(71) Applicant: **Andrew Zenoff**, San Anselmo, CA (US)

D62,863 S 8/1923 Strauss
1,481,975 A 1/1924 Bender
D64,441 S 4/1924 Cavell

(72) Inventor: **Andrew Zenoff**, San Anselmo, CA (US)

(Continued)

(73) Assignee: **BEAM AUTHENTIC, LLC**, San Anselmo, CA (US)

FOREIGN PATENT DOCUMENTS

(**) Term: **14 Years**

CN 203327079 U 12/2013
WO WO-2012061438 A2 5/2012
WO WO-2014054211 A1 4/2014

(21) Appl. No.: **29/500,514**

OTHER PUBLICATIONS

(22) Filed: **Aug. 26, 2014**

U.S. Appl. No. 29/499,861, filed Aug. 19, 2014, Zenoff.

(51) **LOC (10) Cl.** **14-02**

(Continued)

(52) **U.S. Cl.**

USPC **D14/344**

(58) **Field of Classification Search**

USPC D14/341-347, 371, 426, 427; D11/3; D10/30-39, 70, 128

CPC A61B 2017/60442; A61B 2017/6824; A61B 5/681; A61B 5/02438; A61B 5/1112; A61B 5/0022; H04B 1/385; A44C 5/14; A44C 5/12

See application file for complete search history.

Primary Examiner — Mary Ann Calabrese
Assistant Examiner — Jennifer L Rempfer

(74) *Attorney, Agent, or Firm* — Wilson Sonsini Goodrich & Rosati

(57) **CLAIM**

The ornamental design for an electronic display screen with wearable band, as shown and described.

(56) **References Cited**

DESCRIPTION

U.S. PATENT DOCUMENTS

65,871 A 6/1867 Browne
168,063 A 9/1875 Taylor
175,399 A 3/1876 Wheldon et al.
175,733 A 4/1876 Myers et al.
176,714 A 4/1876 Vanhon
260,332 A 6/1882 Simonson
740,330 A 9/1903 Stirewalt
761,601 A 5/1904 Oliver
D39,680 S 12/1908 Roelofs
1,114,400 A 10/1914 Slotoroff
1,190,427 A 7/1916 Kromer, Jr.
1,196,823 A 9/1916 Tokutaro
1,215,311 A 2/1917 Miller
1,222,528 A 4/1917 Cohen

FIG. 1 shows a front view of an electronic display screen with a wearable band around an arm of a user.

FIG. 2 shows a front view of the electronic display screen with a wearable band around a neck of the user.

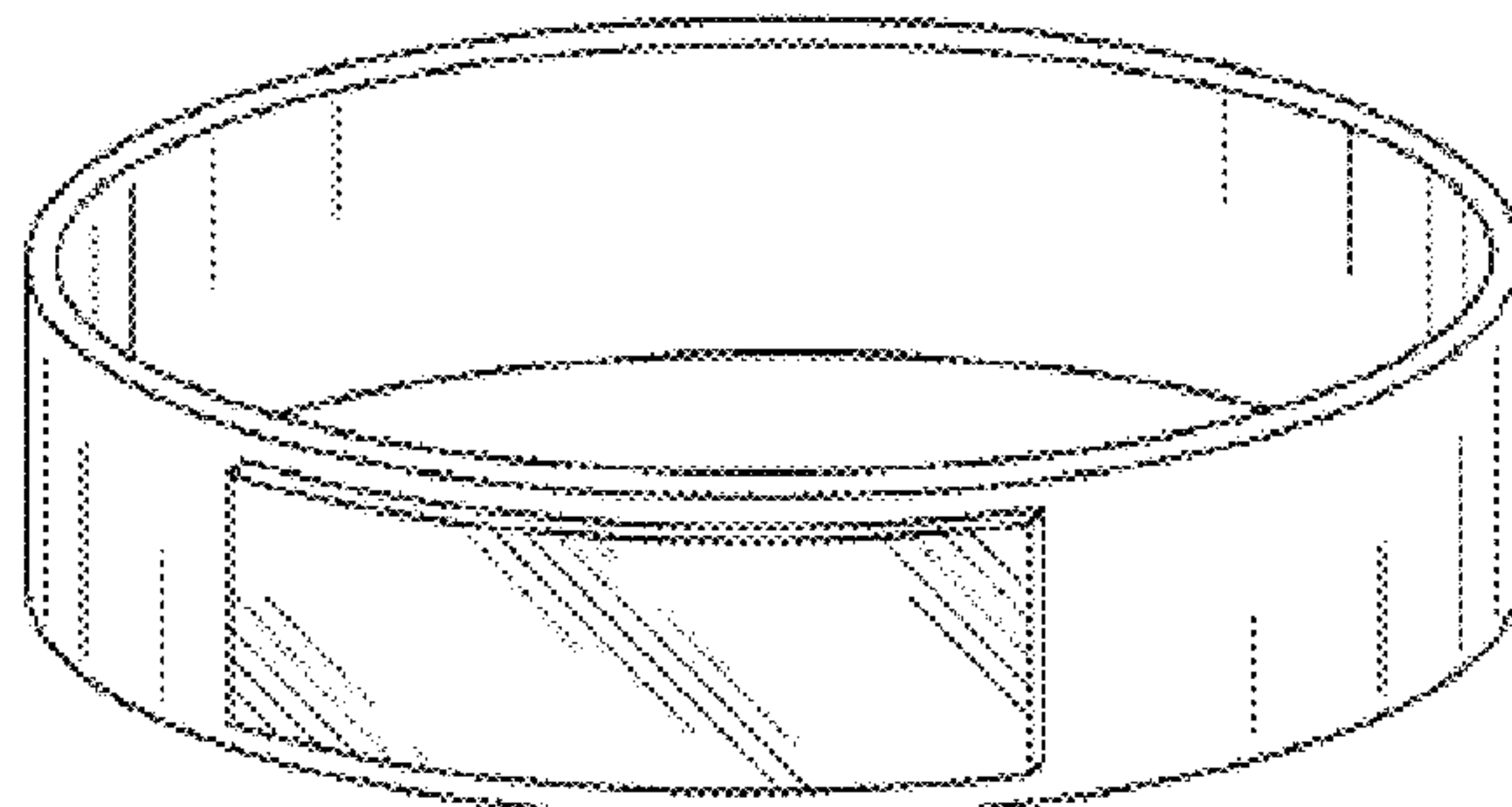
FIG. 3 shows a perspective view of the electronic display screen with a wearable band.

FIG. 4 shows a front view of the electronic display screen with a wearable band; and,

FIG. 5 shows a side view of the electronic display screen with a wearable band.

The broken lines illustrate the claim in use and form no part of the claimed design.

1 Claim, 5 Drawing Sheets



(56)

References Cited

U.S. PATENT DOCUMENTS

1,502,160 A	7/1924	Reinthal	D389,754 S	1/1998	Skubala
D66,331 S	12/1924	Pegg	D391,741 S	3/1998	Baker
1,560,073 A	11/1925	Bontempi et al.	D396,546 S	8/1998	Marrs
1,566,663 A	12/1925	Finkelstein	D396,938 S	8/1998	Bugatti
1,582,812 A	4/1926	Avin	D397,239 S	8/1998	Marrs
1,586,242 A	5/1926	Duthie	5,794,267 A	8/1998	Wallace
1,606,798 A	11/1926	Karger	D397,838 S	9/1998	Waggoner
1,616,475 A	2/1927	Tracey	5,823,328 A	10/1998	Fomby
D73,128 S	7/1927	Harris	D401,086 S	11/1998	Hellwig et al.
D79,398 S	9/1929	Wittcoff	D401,738 S	12/1998	Scerbo
1,782,414 A	11/1930	Duer	D403,491 S	1/1999	Wyatt et al.
1,784,970 A	12/1930	Melton	D405,239 S	2/1999	Kostinko
D95,170 S	4/1935	Baumgard	D406,687 S	3/1999	Thorpe
2,094,104 A	9/1937	Lee et al.	D407,190 S	3/1999	Day
D115,046 S	5/1939	Marks	5,943,698 A	8/1999	Blanks, I
2,226,133 A	12/1940	Lee, Jr.	5,945,179 A	8/1999	Gautreneau
2,252,207 A	8/1941	Rodgers	5,960,476 A	10/1999	Danzy
D130,393 S	11/1941	Maxwell et al.	D417,063 S	11/1999	Henning
2,298,381 A	10/1942	Horwitz	D418,279 S	1/2000	Day
2,387,482 A	10/1945	Vineberg	6,012,172 A	1/2000	Steffy
2,440,407 A	4/1948	Kuenstner	6,022,599 A	2/2000	Rietveld et al.
2,445,922 A	7/1948	Ostolaza et al.	D424,282 S	5/2000	Crumpton et al.
D162,354 S	3/1951	Smith	D427,751 S	7/2000	Richlin
2,604,807 A	7/1952	Woodburn	6,154,992 A	12/2000	Lee
2,682,667 A	7/1954	Michelstetter	D436,991 S	1/2001	Morgante
2,776,435 A	1/1957	Trimpert	D438,374 S *	3/2001	Hayman D3/215
2,839,860 A	6/1958	Fry	D441,191 S	5/2001	Vazquez
D193,829 S	10/1962	Van-Den-Berg	D444,618 S	7/2001	Wilson
3,346,153 A	10/1967	Galasso	D447,318 S	9/2001	Gath
3,556,115 A	1/1971	Benson	6,308,445 B1	10/2001	Porraro
D221,719 S	8/1971	Hoskins	D452,767 S	1/2002	Balloni et al.
D231,356 S	4/1974	Kurz	D453,610 S	2/2002	Lee
3,895,797 A	7/1975	Moore	6,370,696 B1	4/2002	Kronenberger
3,959,826 A	6/1976	Hakanson	D459,059 S	6/2002	Park
D251,336 S	3/1979	Getgey	D459,094 S	6/2002	Stone et al.
D255,397 S	6/1980	Button	6,408,443 B1	6/2002	Park
D263,092 S	2/1982	Fay	D460,604 S	7/2002	Sullivan, Jr.
4,529,278 A	7/1985	Nugent	6,470,499 B1	10/2002	Joiner
4,535,478 A	8/1985	Zuefle	D470,450 S	2/2003	Olzak
4,611,355 A	9/1986	Galanto et al.	D472,695 S	4/2003	Lee
4,636,047 A	1/1987	Green	D473,039 S	4/2003	Erspamer
4,671,003 A	6/1987	Vitol	6,588,021 B2	7/2003	Kronenberger
D292,044 S	9/1987	Billiet	D478,710 S	8/2003	Yan
4,710,981 A	12/1987	Sanchez	D482,185 S	11/2003	Park
4,827,384 A	5/1989	Von Schlemmer	6,643,847 B1	11/2003	Dornak
4,834,688 A	5/1989	Jones	D483,173 S	12/2003	Harris et al.
4,873,726 A	10/1989	Tapia	D483,928 S	12/2003	Mansell et al.
4,924,613 A	5/1990	Levin	6,672,748 B2	1/2004	Baldwin
5,054,127 A	10/1991	Zevchak	D487,329 S	3/2004	Prinz
5,070,545 A	12/1991	Tapia	6,751,805 B1	6/2004	Austion
5,099,594 A	3/1992	Reas et al.	D494,745 S	8/2004	Kronenberger
5,102,129 A	4/1992	Roberts	D496,146 S	9/2004	Appleberry
5,131,177 A	7/1992	Sy, Jr.	D496,775 S	10/2004	Tanner
5,167,559 A	12/1992	Power-Fardy	D497,648 S	10/2004	Carlson
D333,030 S	2/1993	Wilkes	6,810,533 B1	11/2004	Nahabedian et al.
5,253,368 A	10/1993	Blake	6,820,281 B2	11/2004	Mariland et al.
D341,712 S	11/1993	Fulcher	D502,589 S	3/2005	Lee
5,305,538 A	4/1994	Kanzelberger	D509,947 S	9/2005	Fortune
D347,102 S	5/1994	Strasner	6,948,189 B2	9/2005	Early
D350,221 S	9/1994	Van Doren	D517,283 S	3/2006	Shin et al.
5,359,733 A	11/1994	Brannon et al.	D522,559 S	6/2006	Naito et al.
5,437,062 A	8/1995	Douglas	D523,612 S	6/2006	Steger
5,452,479 A	9/1995	Mostert	D539,012 S	3/2007	Evans
5,454,120 A	10/1995	Rowlands	D543,014 S	5/2007	Sharpe et al.
5,462,471 A	10/1995	Power-Fardy	D543,338 S	5/2007	Park
5,465,426 A	11/1995	Beaton	7,219,374 B2	5/2007	Cho
5,476,194 A	12/1995	Hippely et al.	D548,657 S	8/2007	Eskandry
5,477,629 A	12/1995	Gleason, Jr.	D558,427 S	1/2008	Solin
D367,158 S	2/1996	Baker	D558,431 S	1/2008	Pritchett
D370,354 S	6/1996	Deakyne	D558,955 S	1/2008	Taylor
5,548,847 A	8/1996	Spicijaric	7,331,064 B1	2/2008	Quintal
5,621,914 A	4/1997	Ramone et al.	7,424,751 B1	9/2008	Miller
5,632,044 A	5/1997	Sloot	D577,879 S	10/2008	Jones
5,638,202 A	6/1997	Rofe	D580,184 S	11/2008	Svendson et al.
D383,892 S	9/1997	Virzi	7,490,364 B2	2/2009	Kim
			D600,879 S	9/2009	Accardi
			D603,144 S	11/2009	South
			D603,585 S	11/2009	Capriola
			7,621,000 B1	11/2009	Fulton

(56)

References Cited

U.S. PATENT DOCUMENTS

D606,284 S	12/2009	Caten et al.	D736,495 S	8/2015	Bednarz	
D607,627 S	1/2010	Kowalczyk	D736,768 S *	8/2015	Kuwabara	D14/344
D608,531 S	1/2010	Kronenberger	D736,993 S	8/2015	Wang et al.	
D613,037 S	4/2010	Iamartino et al.	D738,071 S	9/2015	Kamhi et al.	
D617,636 S	6/2010	Vanhoutte	D739,403 S	9/2015	David et al.	
D619,336 S	7/2010	Eyl	9,161,584 B1	10/2015	Garrett, Jr.	
D619,789 S	7/2010	Barany	D743,149 S	11/2015	Brandelli	
D621,590 S	8/2010	Martin	D745,251 S	12/2015	Bednarz	
D624,286 S	9/2010	Hall	D745,252 S	12/2015	Bednarz	
D625,082 S	10/2010	Jones	D746,283 S	12/2015	Cha et al.	
D629,183 S	12/2010	Adams et al.	D748,091 S	1/2016	Akana et al.	
D630,822 S	1/2011	Thomas	D748,379 S	2/2016	Fitzpatrick et al.	
D635,336 S	4/2011	Alger	D751,794 S	3/2016	Zenoff	
D635,743 S	4/2011	Johnson	D751,795 S	3/2016	Zenoff	
D635,976 S	4/2011	Lee et al.	D751,796 S	3/2016	Gewirz et al.	
D636,562 S	4/2011	Lam et al.	D754,422 S	4/2016	Zenoff	
7,926,122 B1	4/2011	Countryman	2001/0034894 A1	11/2001	Godfrey et al.	
7,974,432 B1	7/2011	Ryan	2003/0073412 A1	4/2003	Meade et al.	
7,992,224 B2	8/2011	Tai	2003/0221234 A1	12/2003	Wang	
D647,286 S	10/2011	Malek	2004/0221368 A1	11/2004	Okot	
D647,689 S	11/2011	Girbaud et al.	2005/0132470 A1	6/2005	Wong	
D649,040 S	11/2011	Sanders	2005/0214495 A1	9/2005	Thiebaut	
D649,744 S	12/2011	Weinshanker	2006/0112707 A1	6/2006	Tu	
D653,017 S	1/2012	Hamlin	2006/0117458 A1 *	6/2006	Ishihara	A41D 1/002 2/170
D654,251 S	2/2012	Alkas-Shamoun	2006/0206985 A1	9/2006	Proctor	
D655,601 S	3/2012	Daley et al.	2006/0209218 A1	9/2006	Lee et al.	
D657,424 S	4/2012	Podd	2006/0249404 A1	11/2006	Adams	
D658,603 S	5/2012	Egawa et al.	2007/0056078 A1	3/2007	Tseng	
D658,899 S	5/2012	Zadro	2007/0143906 A1	6/2007	Renteria	
D659,351 S	5/2012	Benkendorfer	2007/0182664 A1	8/2007	Himmele	
D660,554 S	5/2012	Blackshear	2007/0247312 A1 *	10/2007	Sekine	G07C 9/00309 340/572.1
D661,061 S	6/2012	Eveleth	2007/0256213 A1	11/2007	Dunavin	
D661,063 S	6/2012	Eveleth	2008/0000013 A1	1/2008	Talley	
D661,446 S	6/2012	Davis	2009/0084009 A1	4/2009	Vandergriff et al.	
D670,068 S	11/2012	Bomze	2009/0251888 A1	10/2009	Douglas	
D670,892 S	11/2012	Epstein	2009/0306485 A1 *	12/2009	Bell	A61B 5/04085 600/301
D671,716 S	12/2012	Lam et al.	2009/0310290 A1	12/2009	Tennent	
D672,294 S	12/2012	Thompson	2010/0058514 A1	3/2010	Koh	
8,364,220 B2	1/2013	Sandmore	2010/0095573 A1	4/2010	Lifshitz	
D681,867 S	5/2013	Wegger et al.	2010/0100004 A1 *	4/2010	van Someren	600/549
8,453,265 B2	6/2013	Forte et al.	2010/0131613 A1	5/2010	Jonsson et al.	
8,458,820 B2	6/2013	Cleva	2010/0299979 A1	12/2010	Lamere	
D693,099 S	11/2013	Purdy	2010/0306808 A1	12/2010	Neumeier et al.	
8,626,586 B1	1/2014	Biere et al.	2010/0313334 A1	12/2010	Moy	
D699,928 S	2/2014	Tien	2011/0041238 A1	2/2011	Brzoska	
D701,504 S *	3/2014	Christopher	2011/0088715 A1	4/2011	Lee et al.	
8,677,515 B2 *	3/2014	Ishihara	2011/0094016 A1	4/2011	Paulson	
			2011/0187681 A1 *	8/2011	Kim	G06F 3/0488 345/204
D702,928 S	4/2014	White	2011/0246908 A1	10/2011	Akram et al.	
D703,069 S *	4/2014	Adams	2011/0295749 A1	12/2011	Scalisi	
D704,925 S	5/2014	Cho	2012/0005809 A1	1/2012	Johnson	
D705,527 S	5/2014	Clark	2012/0089437 A1	4/2012	Amento et al.	
D708,427 S	7/2014	Cho	2012/0163269 A1	6/2012	Shuster et al.	
D709,675 S	7/2014	Cho	2012/0198600 A1	8/2012	Niazi	
D710,220 S *	8/2014	Daniel	2012/0210616 A1	8/2012	Laraque	
D710,569 S	8/2014	Pelengaris	2012/0256902 A1	10/2012	Tam et al.	
D711,002 S *	8/2014	Ohnemus	2012/0264492 A1	10/2012	Stewart	
D711,874 S	8/2014	Cope	2012/0324076 A1	12/2012	Zerr et al.	
D712,635 S	9/2014	Rivas	2013/0188322 A1	7/2013	Lowe et al.	
D713,622 S	9/2014	Steel	2013/0222270 A1	8/2013	Winkler et al.	
D714,031 S	9/2014	Javits, Jr.	2013/0333095 A1	12/2013	Dudick	
D716,078 S	10/2014	Theisen et al.	2014/0053316 A1	2/2014	Su	
8,869,312 B2	10/2014	Tuohy et al.	2014/0098009 A1	4/2014	Prest et al.	
D716,528 S	11/2014	Badish	2014/0111323 A1	4/2014	Strout et al.	
D717,019 S	11/2014	Van Dalen	2014/0121539 A1 *	5/2014	Chatterjee	G06F 1/1626 600/479
D718,731 S	12/2014	Lee et al.	2014/0160055 A1 *	6/2014	Margolis	G06F 1/163 345/174
8,898,820 B2	12/2014	Sokolowski et al.				
8,905,560 B1	12/2014	Zadro				
D721,874 S	2/2015	Robbins et al.				
8,950,012 B2	2/2015	Ilges et al.	2014/0173807 A1	6/2014	Waters	
D727,150 S	4/2015	Leitch et al.	2014/0176417 A1	6/2014	Young et al.	
D729,650 S *	5/2015	Phillips	2015/0033445 A1	2/2015	Warner et al.	
D730,563 S	5/2015	Renshaw et al.	2015/0096104 A1	4/2015	Kim	
D733,130 S *	6/2015	Kim	2015/0146903 A1	5/2015	Mariasov	
D734,329 S *	7/2015	Lee	2015/0164166 A1	6/2015	Tsai	

(56)

References Cited

U.S. PATENT DOCUMENTS

2015/0250245 A1 9/2015 Waters
 2015/0312975 A1 10/2015 Tischler et al.
 2016/0019821 A1 1/2016 Haddad

OTHER PUBLICATIONS

U.S. Appl. No. 29/499,864, filed Aug. 19, 2014, Zenoff.
 U.S. Appl. No. 29/499,867, filed Aug. 19, 2014, Zenoff.
 U.S. Appl. No. 29/499,866, filed Aug. 19, 2014, Zenoff.
 U.S. Appl. No. 29/500,139, filed Aug. 21, 2014, Zenoff.
 U.S. Appl. No. 29/500,381, filed Aug. 25, 2014, Zenoff.
 U.S. Appl. No. 29/500,384, filed Aug. 25, 2014, Zenoff.
 U.S. Appl. No. 29/500,387, filed Aug. 25, 2014, Zenoff.
 U.S. Appl. No. 29/500,391, filed Aug. 25, 2014, Zenoff.
 U.S. Appl. No. 29/500,393, filed Aug. 25, 2014, Zenoff.
 U.S. Appl. No. 29/500,399, filed Aug. 25, 2014, Zenoff.
 U.S. Appl. No. 29/500,405, filed Aug. 25, 2014, Zenoff.
 U.S. Appl. No. 29/500,407, filed Aug. 25, 2014, Zenoff.
 U.S. Appl. No. 29/500,408, filed Aug. 25, 2014, Zenoff.
 U.S. Appl. No. 29/500,504, filed Aug. 26, 2014, Zenoff.
 U.S. Appl. No. 29/500,506, filed Aug. 26, 2014, Zenoff.
 U.S. Appl. No. 29/500,509, filed Aug. 26, 2014, Zenoff.
 U.S. Appl. No. 29/500,512, filed Aug. 26, 2014, Zenoff.
 U.S. Appl. No. 29/500,546, filed Aug. 26, 2014, Zenoff.
 U.S. Appl. No. 29/500,551, filed Aug. 26, 2014, Zenoff.
 U.S. Appl. No. 29/500,553, filed Aug. 26, 2014, Zenoff.
 U.S. Appl. No. 29/500,555, filed Aug. 26, 2014, Zenoff.
 U.S. Appl. No. 29/500,557, filed Aug. 26, 2014, Zenoff.
 U.S. Appl. No. 29/500,558, filed Aug. 26, 2014, Zenoff.
 U.S. Appl. No. 29/500,562, filed Aug. 26, 2014, Zenoff.
 U.S. Appl. No. 29/500,564, filed Aug. 26, 2014, Zenoff.
 ALIBABA.com. Mobile billboard advertising led truck new technology product in china mobile truck led tv screen. Available at http://www.alibaba.com/product-detail/mobile-billboard-advertising-led-truck-new_60181386676.html. Accessed on Jul. 24, 2015.
 WEBBOZZ.com. Stylish Circular Display Smart Watch—Motorola Moto 360. Feb. 2013. Available at <http://www.webbozz.com/stylish-circular-display-smart-watch-motorola-moto-360>. Accessed on Jul. 23, 2015.
 Notice of allowance dated Jun. 14, 2016 for U.S. Appl. No. 29/500,509 of inventor Andrew Zenoff.
 Notice of allowance dated Jun. 15, 2016 for U.S. Appl. No. 29/500,555 of inventor Andrew Zenoff.
 Notice of allowance dated Jun. 22, 2016 for U.S. Appl. No. 29/500,384 of inventor Andrew Zenoff.
 Notice of allowance dated Jun. 22, 2016 for U.S. Appl. No. 29/500,387 of inventor Andrew Zenoff.
 Notice of allowance dated Jun. 22, 2016 for U.S. Appl. No. 29/500,391 of inventor Andrew Zenoff.
 Ex Parte Quayle Action dated Feb. 17, 2016 for U.S. Appl. No. 29/500,551 of inventor Andrew Zenoff.

Ex Parte Quayle action dated Feb. 17, 2016 for U.S. Appl. No. 29/500,553 of inventor Andrew Zenoff.
 Ex parte Quayle Office action dated Feb. 12, 2016 for U.S. Appl. No. 29/500,509 of inventor Andrew Zenoff.
 Ex parte Quayle Office action dated Dec. 3, 2015 for U.S. Appl. No. 29/500,562 of inventor Andrew Zenoff.
 Notice of allowance dated Feb. 3, 2016 for U.S. Appl. No. 29/500,504 of inventor Andrew Zenoff.
 Notice of allowance dated Mar. 3, 2016 for U.S. Appl. No. 29/500,555 of inventor Andrew Zenoff.
 Notice of allowance dated Apr. 25, 2016 for U.S. Appl. No. 29/500,384 of inventor Andrew Zenoff.
 Notice of allowance dated Apr. 27, 2016 for U.S. Appl. No. 29/500,387 of inventor Andrew Zenoff.
 Notice of allowance dated Apr. 27, 2016 for U.S. Appl. No. 29/500,391 of inventor Andrew Zenoff.
 Notice of allowance dated Apr. 27, 2016 for U.S. Appl. No. 29/500,509 of inventor Andrew Zenoff.
 Notice of allowance dated Nov. 6, 2015 for U.S. Appl. No. 29/500,393 of inventor Andrew Zenoff.
 Notice of allowance dated Nov. 6, 2015 for U.S. Appl. No. 29/500,399 of inventor Andrew Zenoff.
 Notice of allowance dated Nov. 24, 2015 for U.S. Appl. No. 29/499,866 of inventor Andrew Zenoff.
 Notice of allowance dated Apr. 25, 2016 for U.S. Appl. No. 29/500,381 of inventor Andrew Zenoff.
 Office action dated Feb. 12, 2016 for U.S. Appl. No. 29/500,506 of inventor Andrew Zenoff.
 Office action dated Feb. 19, 2016 for U.S. Appl. No. 29/500,512 of inventor Andrew Zenoff.
 Office action dated Feb. 22, 2016 for U.S. Appl. No. 29/500,558 of inventor Andrew Zenoff.
 Office action dated Mar. 14, 2016 for U.S. Appl. No. 29/500,546 of inventor Andrew Zenoff.
 Office action dated Apr. 20, 2016 for U.S. Appl. No. 29/500,564 of inventor Andrew Zenoff.
 Office action dated Oct. 7, 2015 for U.S. Appl. No. 29/500,564 of inventor Andrew Zenoff.
 Office action dated Oct. 8, 2015 for U.S. Appl. No. 29/500,405 of inventor Andrew Zenoff.
 Office action dated Nov. 5, 2015 for U.S. Appl. No. 29/500,407 of inventor Andrew Zenoff.
 Office action dated Nov. 9, 2015 for U.S. Appl. No. 29/500,408 of inventor Andrew Zenoff.
 Office action dated Nov. 12, 2015 for U.S. Appl. No. 29/499,864 of inventor Andrew Zenoff.
 Office action dated Nov. 16, 2015 for U.S. Appl. No. 29/499,867 of inventor Andrew Zenoff.
 Office action dated Nov. 19, 2015 for U.S. Appl. No. 29/499,861 of inventor Andrew Zenoff.
 Office action dated Nov. 23, 2015 for U.S. Appl. No. 29/500,557 of inventor Andrew Zenoff.
 Office action dated Nov. 24, 2015 for U.S. Appl. No. 29/500,139 of inventor Andrew Zenoff.

* cited by examiner

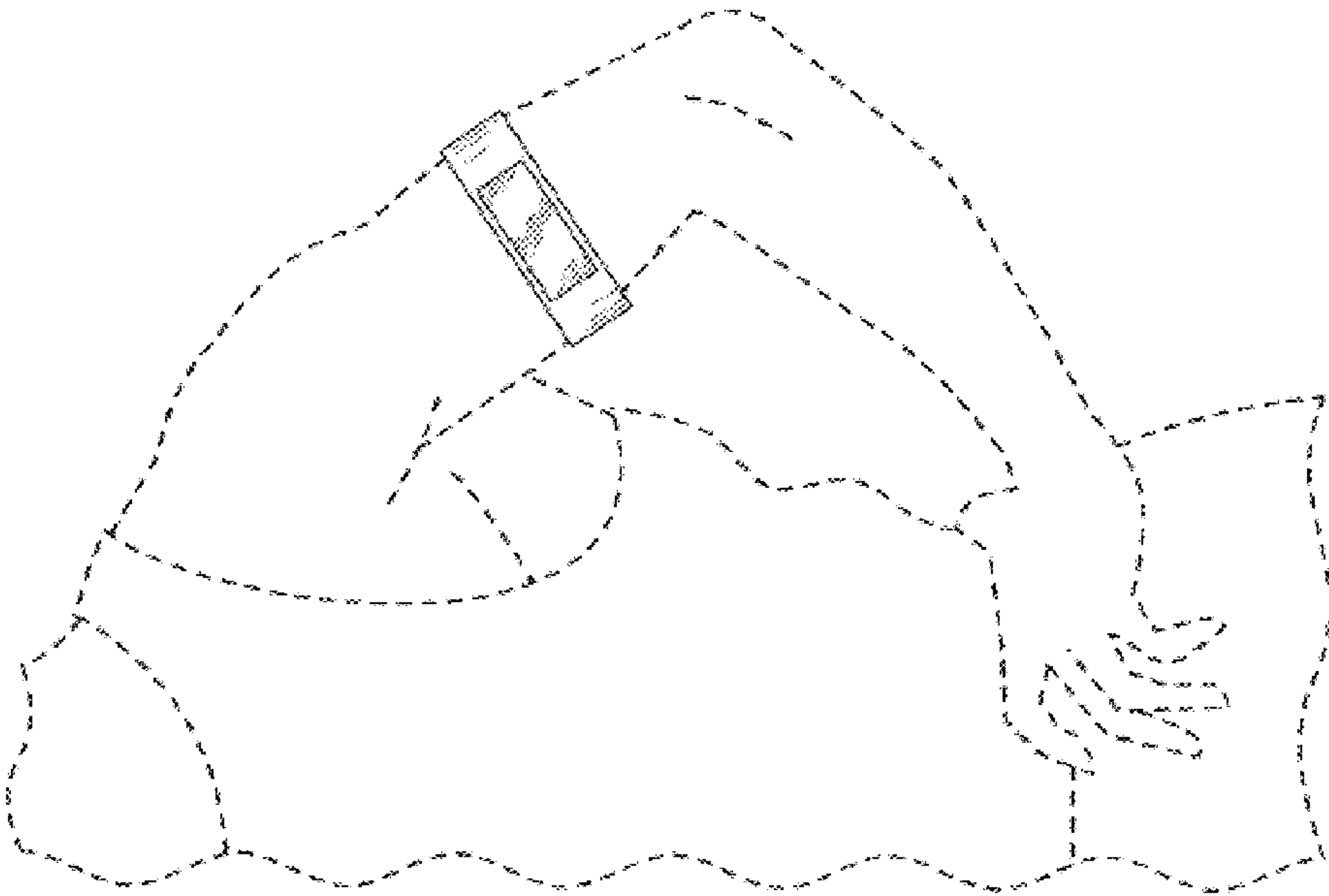


FIG. 1



FIG. 2

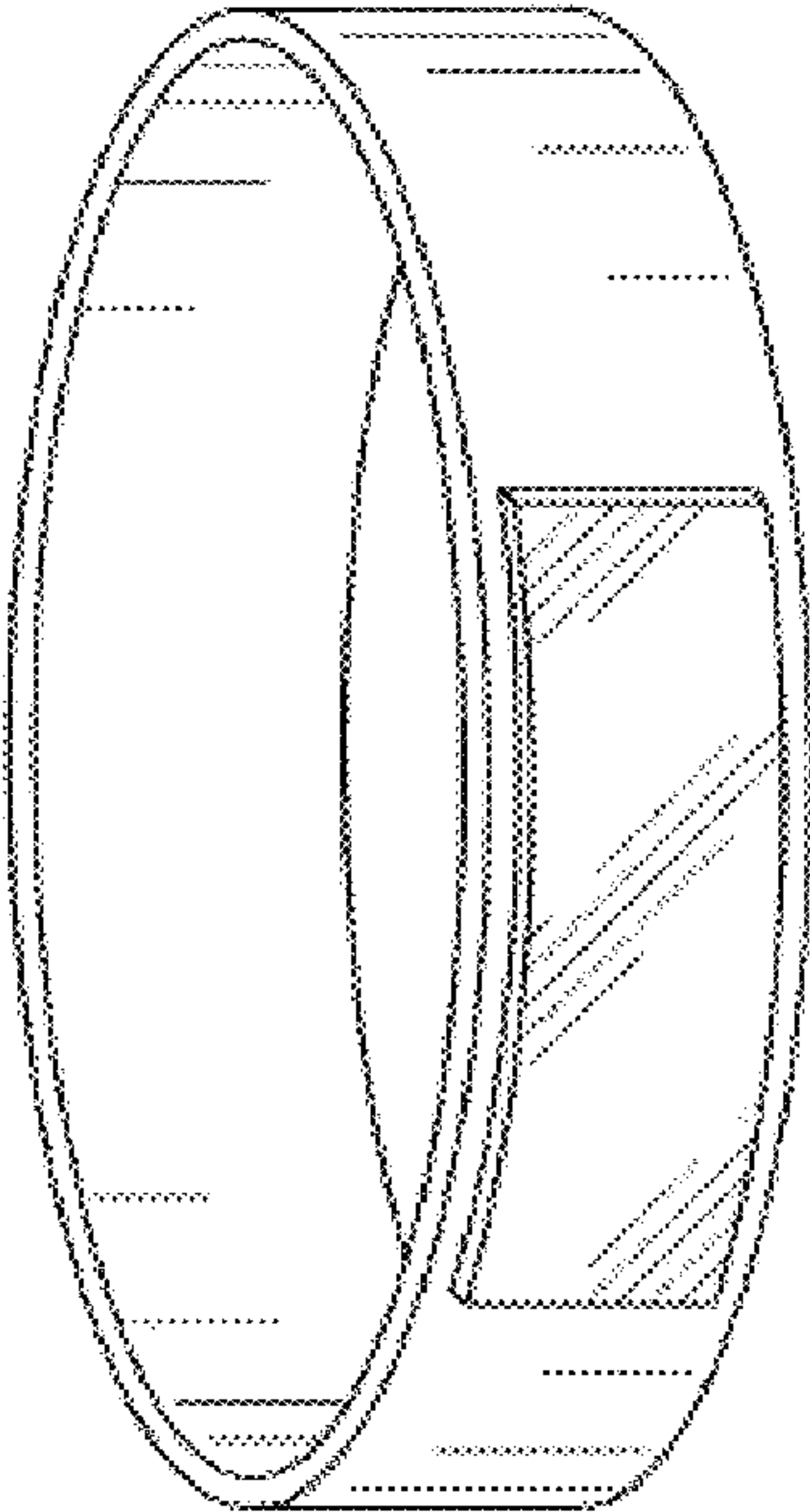


FIG. 3

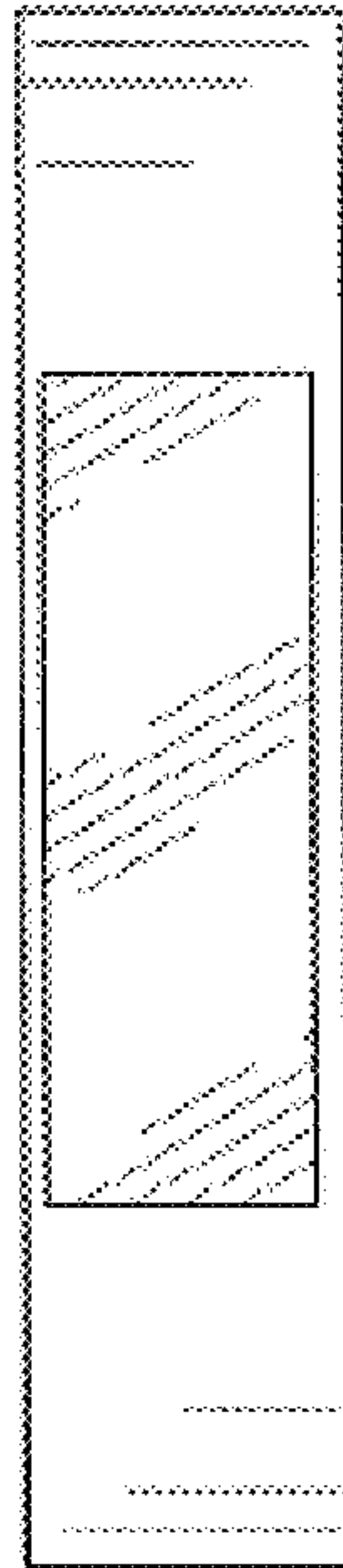


FIG. 4

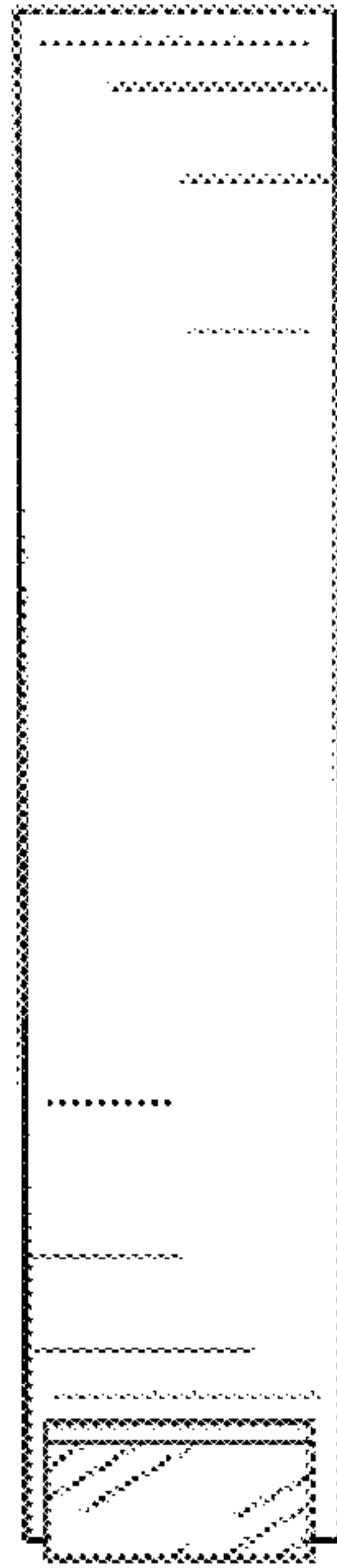


FIG. 5