



US00D772222S

(12) **United States Design Patent** (10) **Patent No.:** **US D772,222 S**
Kacin et al. (45) **Date of Patent:** **** Nov. 22, 2016**

(54) **COMPUTING DEVICE**

(71) Applicant: **LARC Networks, Inc.**, Los Altos, CA (US)

(72) Inventors: **Martin Kacin**, Los Altos Hills, CA (US); **Michael R. Gray**, Dublin, OH (US)

(73) Assignee: **LARC Networks, Inc.**, Los Altos, CA (US)

(**) Term: **15 Years**

(21) Appl. No.: **29/533,507**

(22) Filed: **Jul. 17, 2015**

(51) **LOC (10) Cl.** **14-02**

(52) **U.S. Cl.**
USPC **D14/308**

(58) **Field of Classification Search**
 USPC D14/240, 300, 301, 308, 313, 314, D14/348-356, 364-368, 188; D13/162, D13/184, 199; 312/223.1-223.3, 351.11; 360/99.01-99.12; 369/34.01-36.01; 361/679.31-679.33, 679.37, 679.39, 361/679.46, 679.53, 679.4, 679.41, 727
 CPC G06F 1/20; G06F 1/181; G06F 1/187; G06F 1/183; G06F 1/184; H05K 7/16; H05K 7/1424; H05K 7/1409; H05K 7/20; H05K 7/20545; H05K 7/20727; H05K 7/1425; H05K 7/1488; H05K 7/183; H05K 7/14; H05H 7/20; G11B 33/126; G11B 33/128; G11B 33/08; G11B 33/02

See application file for complete search history.

(56) **References Cited**

U.S. PATENT DOCUMENTS

D458,911 S	*	6/2002	Kataoka	D14/129
D514,556 S	*	2/2006	Rising	D14/300
D648,186 S	*	11/2011	Pourian	D19/67
D649,148 S	*	11/2011	Gengoux	D14/300
D711,463 S	*	8/2014	Costabeber	D14/300

* cited by examiner

Primary Examiner — Freda S Nunn

(74) *Attorney, Agent, or Firm* — Fenwick & West LLP

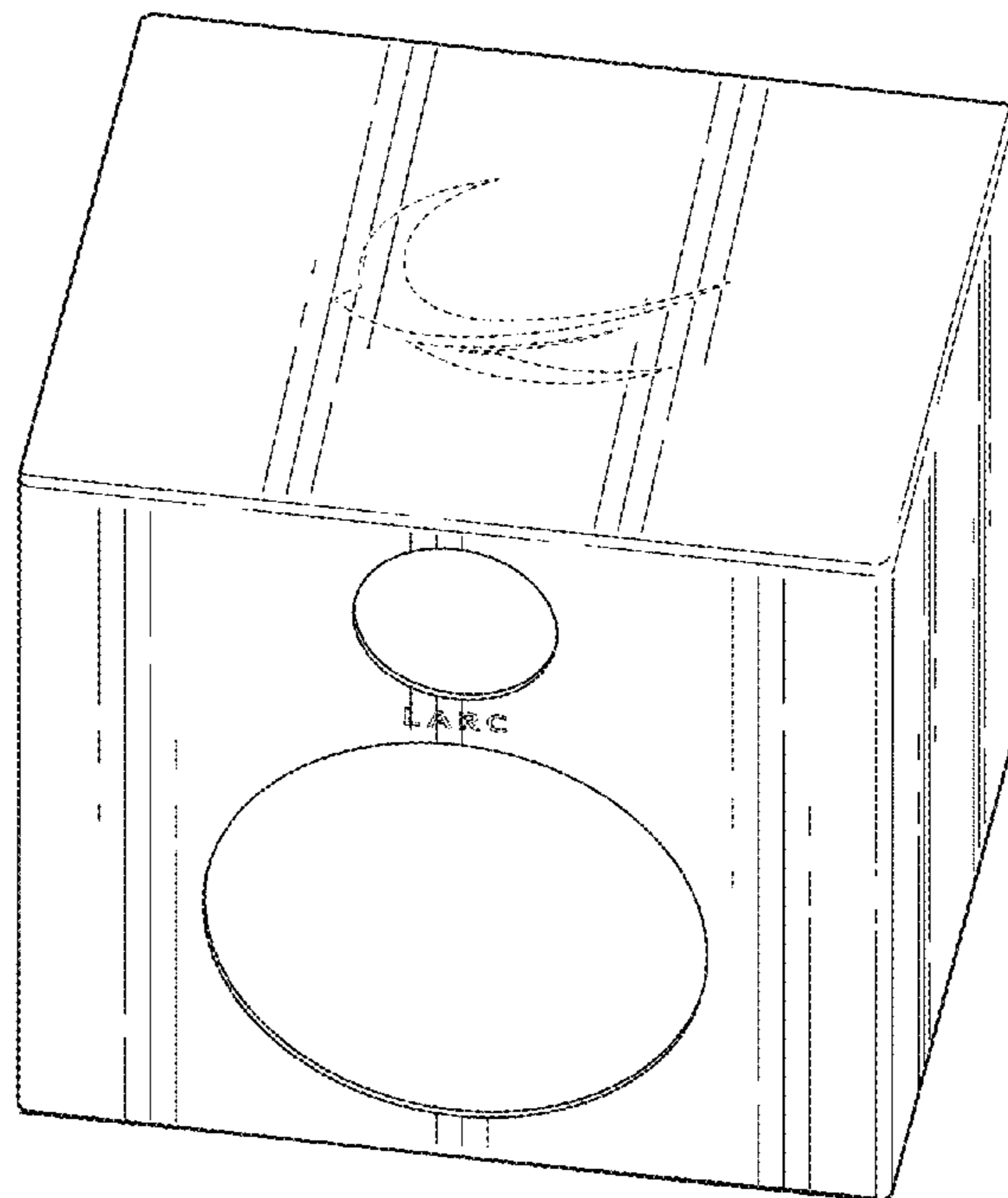
(57) **CLAIM**

We claim the ornamental design for a computing device, as shown and described.

DESCRIPTION

FIG. 1 is a top, front, and right side perspective view of a computing device;
 FIG. 2 is a bottom, rear, and left side perspective view thereof;
 FIG. 3 is a front view thereof;
 FIG. 4 is a left side view thereof;
 FIG. 5 is a rear view thereof;
 FIG. 6 is a second embodiment thereof showing an alternate rear view;
 FIG. 7 is a right side view of the first embodiment thereof;
 FIG. 8 is a top view thereof; and,
 FIG. 9 is a bottom view thereof.
 Broken lines shown in the drawings illustrate portions of the computing device, and form no part of the claimed design.

1 Claim, 6 Drawing Sheets



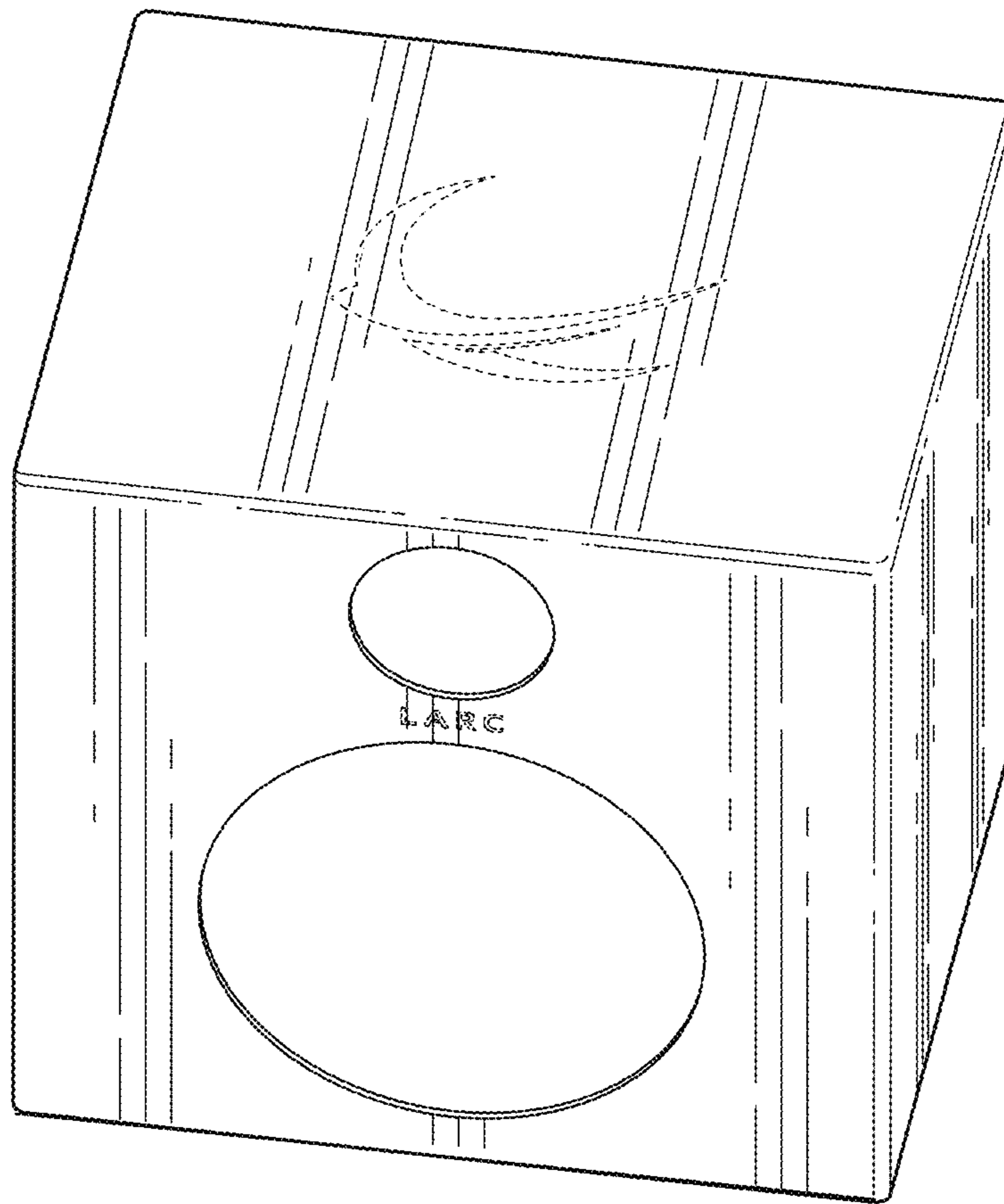


FIG. 1

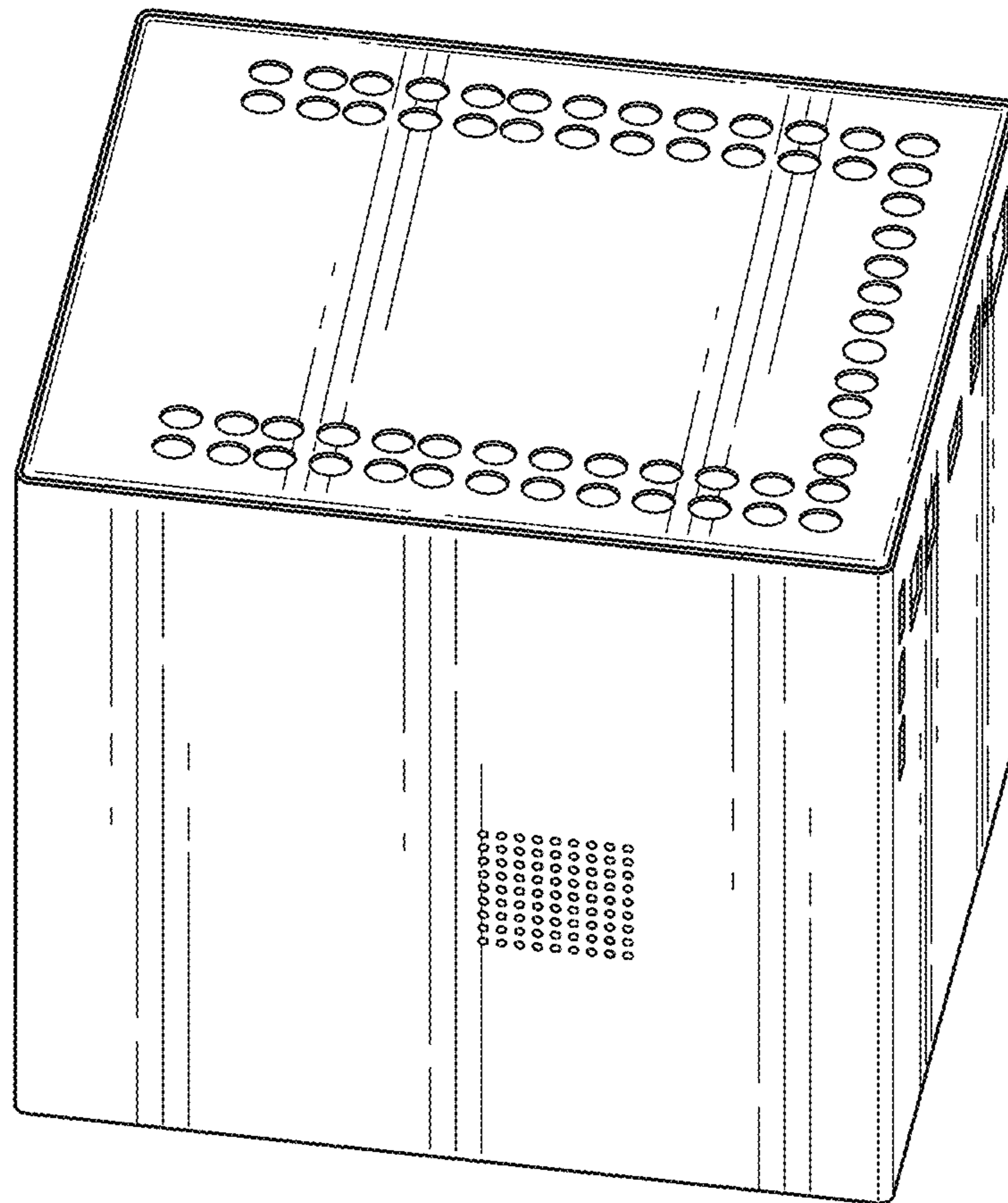


FIG. 2

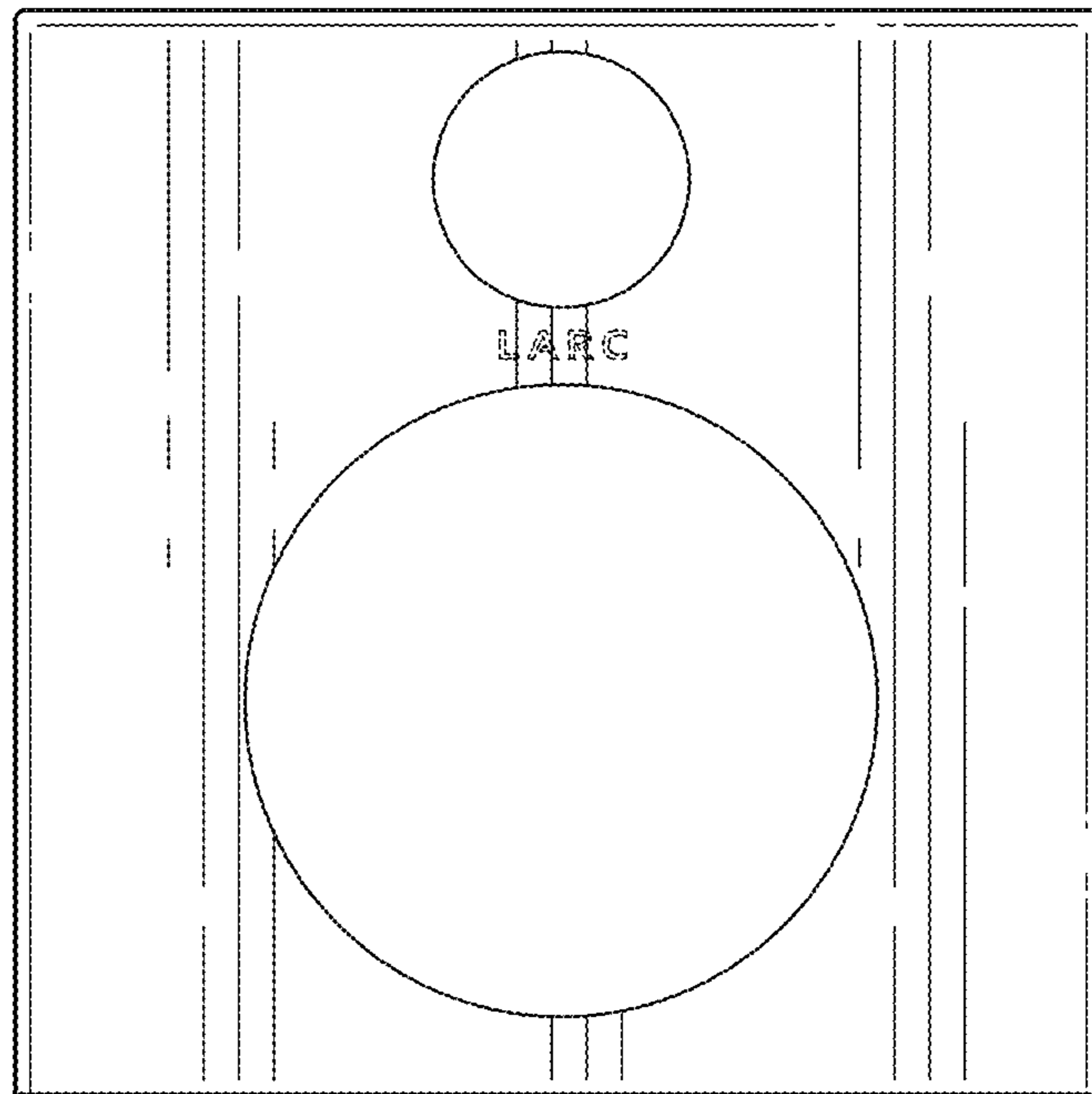


FIG. 3

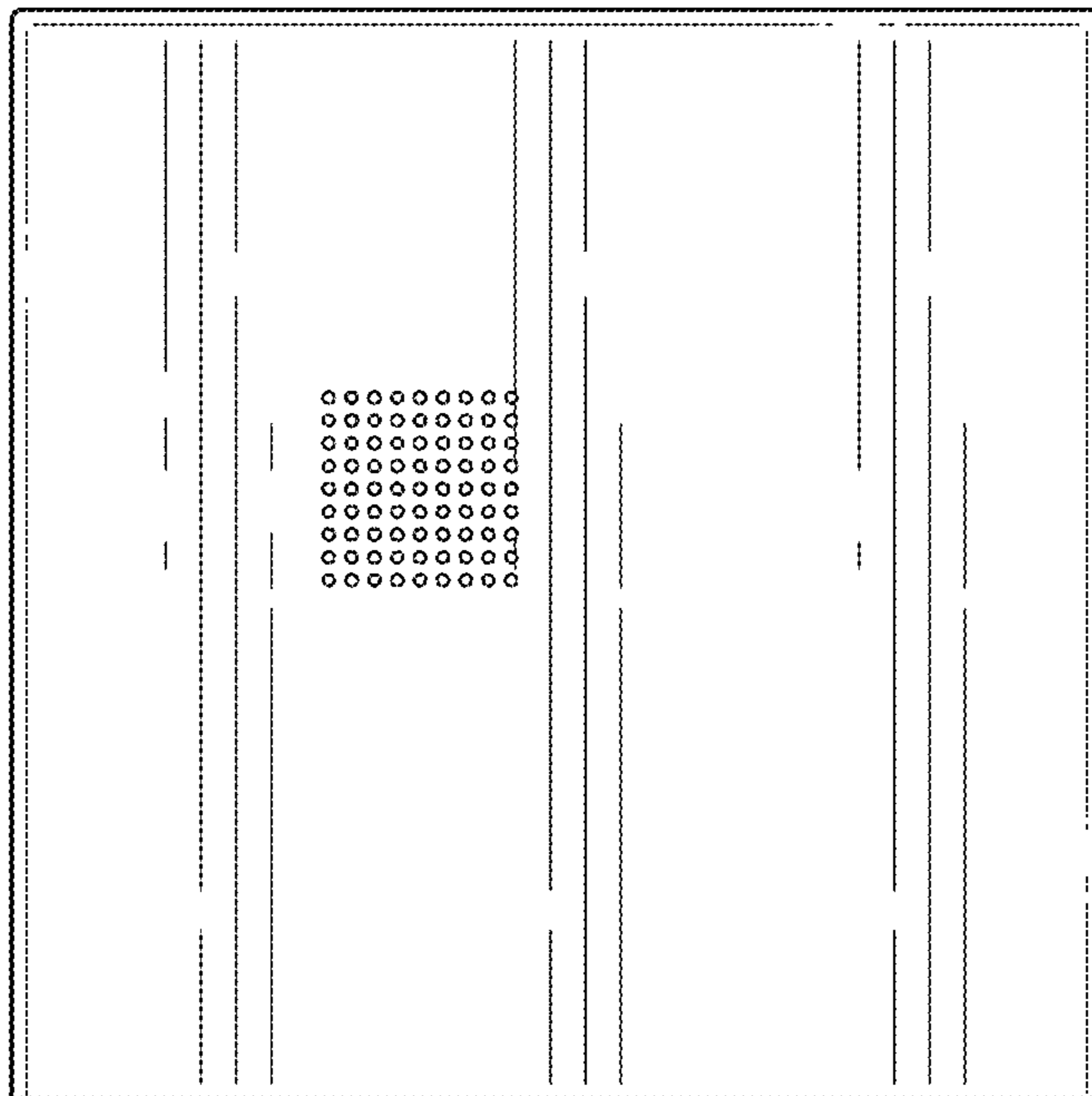


FIG. 4

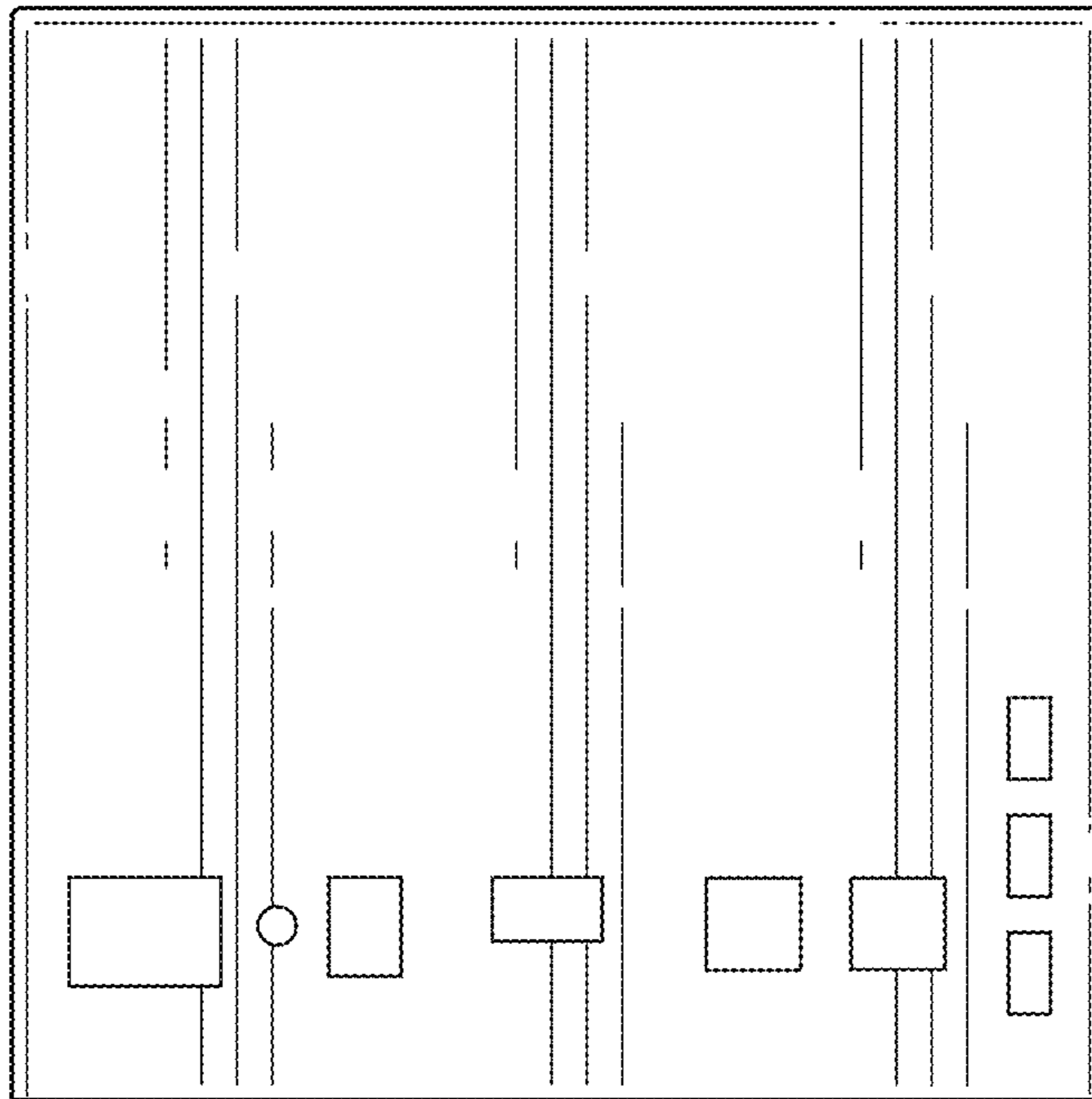


FIG. 5

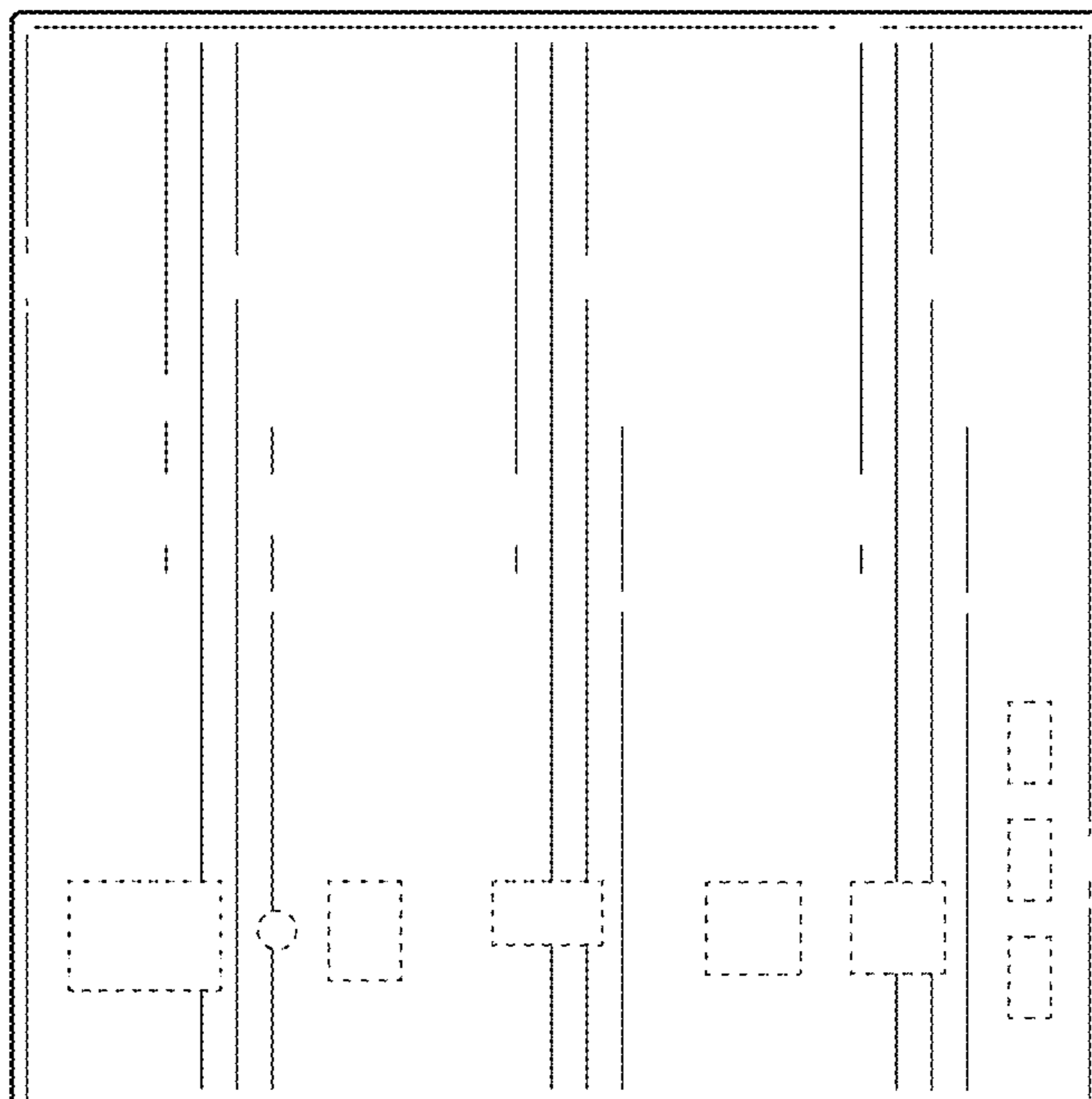


FIG. 6

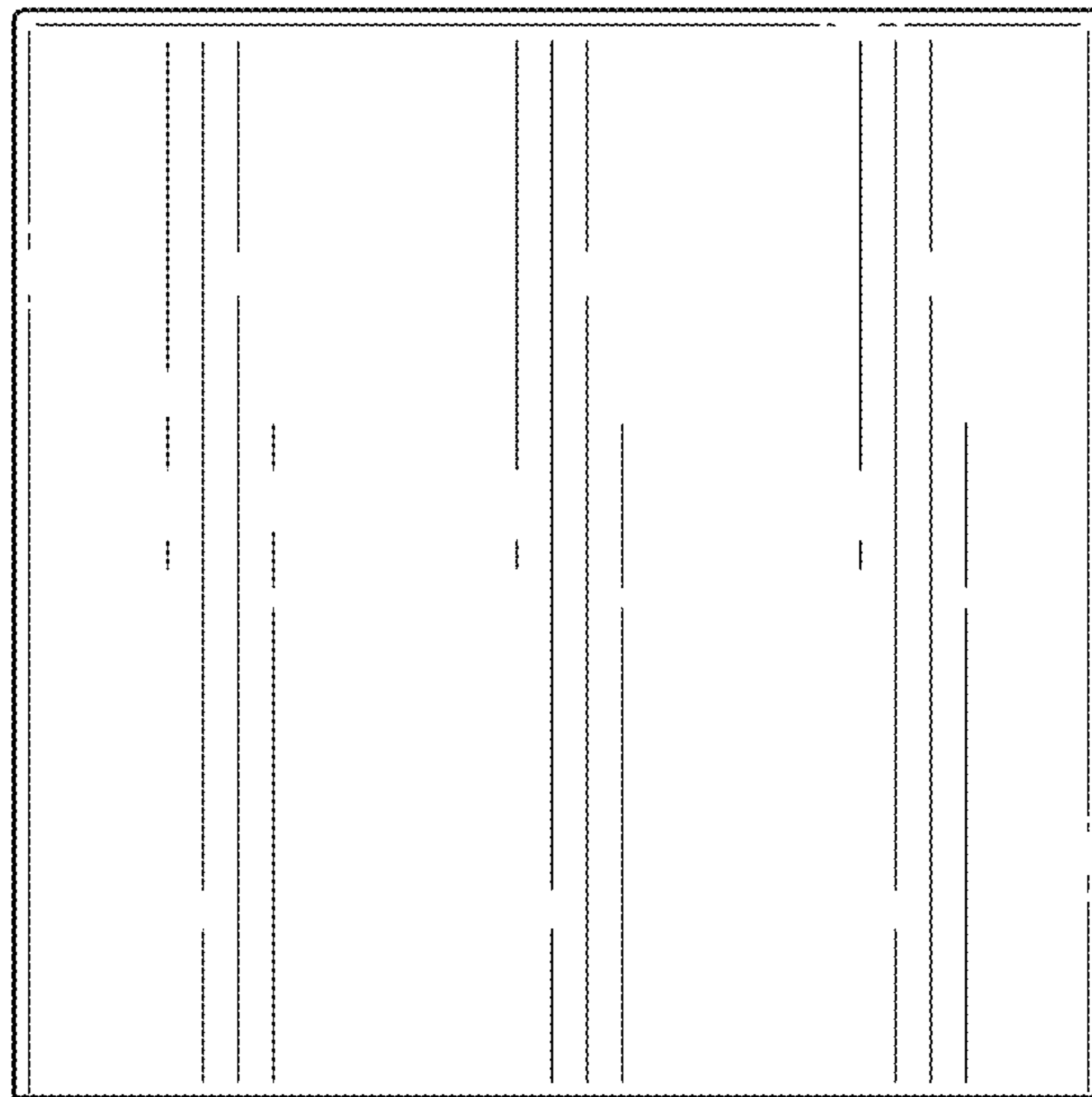


FIG. 7

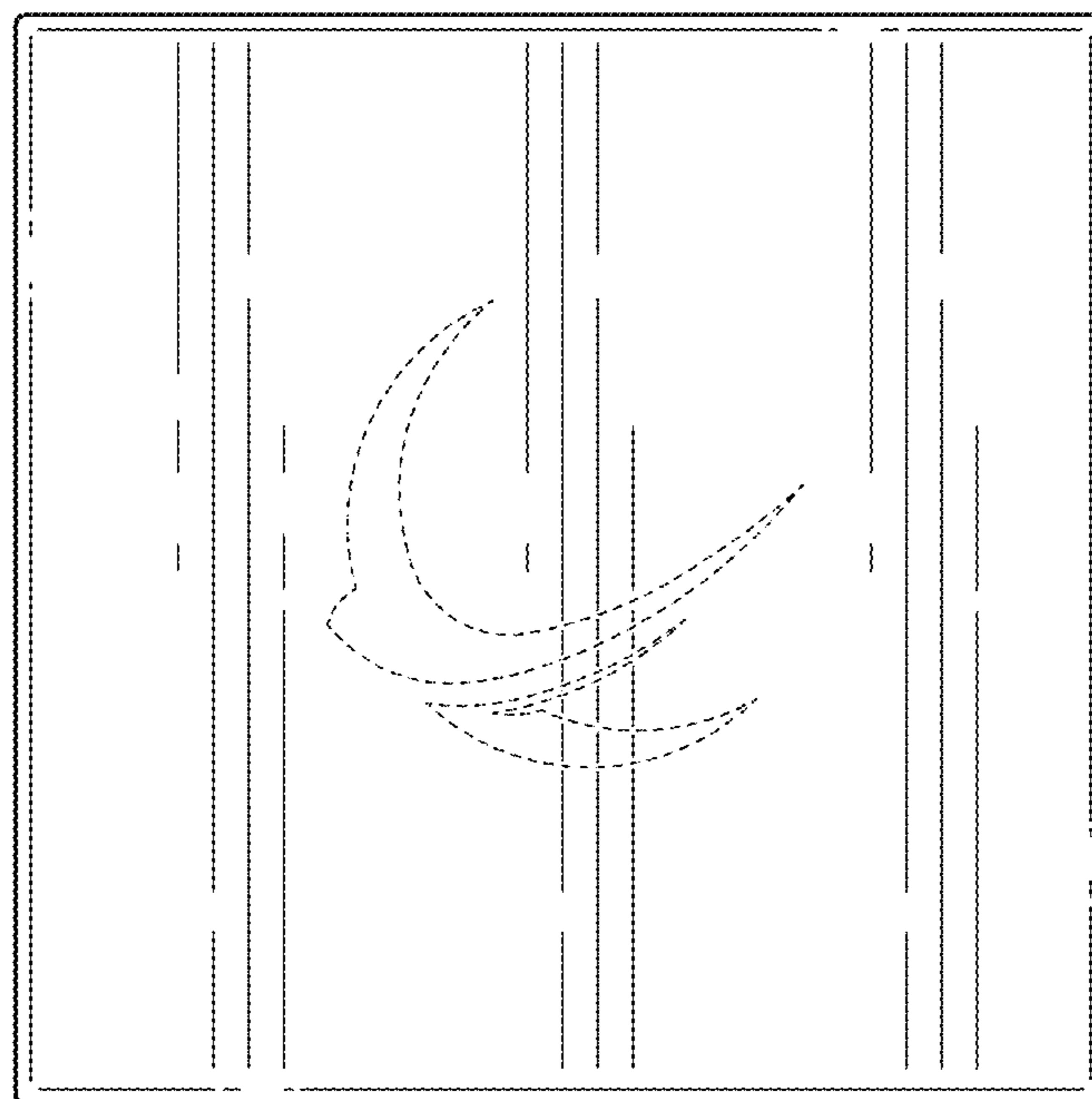


FIG. 8

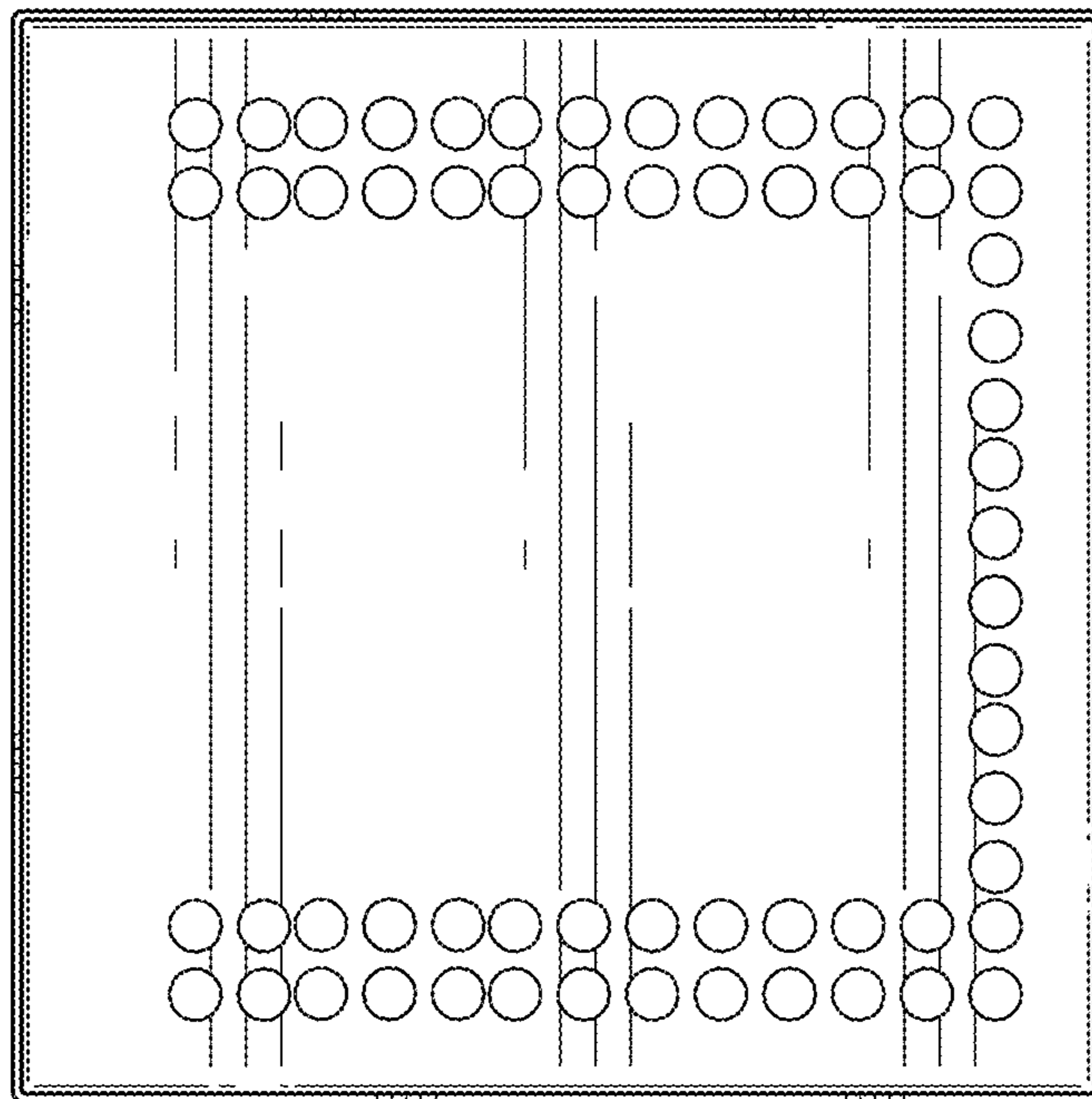


FIG. 9