



US00D772220S

(12) **United States Design Patent**
Daniels et al.

(10) **Patent No.:** **US D772,220 S**

(45) **Date of Patent:** **** Nov. 22, 2016**

- (54) **ELECTRONIC DEVICE HOLDER**
- (71) Applicant: **COBI GmbH**, Frankfurt (DE)
- (72) Inventors: **Micha Daniels**, Darmstadt (DE);
Alexander Erdwiens, Darmstadt (DE)
- (73) Assignee: **COBI GmbH**, Frankfurt (DE)
- (**) Term: **15 Years**
- (21) Appl. No.: **29/542,439**
- (22) Filed: **Oct. 14, 2015**
- (30) **Foreign Application Priority Data**

Apr. 14, 2015 (EM) 002 681 031-0006

(51) **LOC (10) Cl.** **14-03**

(52) **U.S. Cl.**
USPC **D14/253**; D12/223; D12/407; D12/114

(58) **Field of Classification Search**
 USPC D14/253, 251, 252, 447, 451, 452, 440,
 D14/434, 458, 432, 439, 457, 460, 238.1,
 D14/140, 142, 149, 217, 148, 140.8, 140.11,
 D14/209.1, 151, 140.9, 250; D13/107, 108;
 D12/415, 223, 114, 420, 417, 407,
 D12/177; D3/218; D16/242-245, 250, 237,
 D16/203, 214, 219; D6/675, 672, 673,
 D6/675.4, 553, 676, 310, 406.3, 406.4,
 D6/406.5, 406.6, 407
 CPC B60R 2011/0008; B60R 11/02; B60R
 11/0241; B60R 11/0258; B60R 11/0252;
 B60R 2011/0294; F16M 11/00; F16M 11/04;
 F16M 11/041; F16M 11/02; F16M 11/06;
 F16M 13/00; H04M 1/02; H04M 1/04;
 H04M 1/11; H04M 1/12; A47F 7/022;
 B62J 11/00; H05K 7/00; G03B 17/56
 See application file for complete search history.

(56) **References Cited**

U.S. PATENT DOCUMENTS

6,446,922 B2 * 9/2002 Irie B62J 99/00
248/214

7,379,798 B2 * 5/2008 Takeda A63B 24/00
340/427
 D647,434 S * 10/2011 Chambers D12/114
 D652,779 S * 1/2012 Richter D12/223

(Continued)

FOREIGN PATENT DOCUMENTS

EM 002681031-0006 4/2015

Primary Examiner — Susan Bennett Hattan

Assistant Examiner — Janice Hallmark

(74) *Attorney, Agent, or Firm* — SoCal IP Law Group
LLP; Steven C. Sereboff; M. Kale Sarvaiya

(57) **CLAIM**

The ornamental design for an electronic device holder, as shown and described.

DESCRIPTION

A portion of the disclosure of this patent document contains material to which a claim for copyright is made. The copyright owner has no objection to the facsimile reproduction by anyone of the patent document or the patent disclosure, as it appears in the Patent and Trademark Office patent file or records, but reserves all other copyright rights whatsoever.

FIG. 1 is a left side elevation view of an electronic device holder.

FIG. 2 is a front elevation view of the electronic device holder.

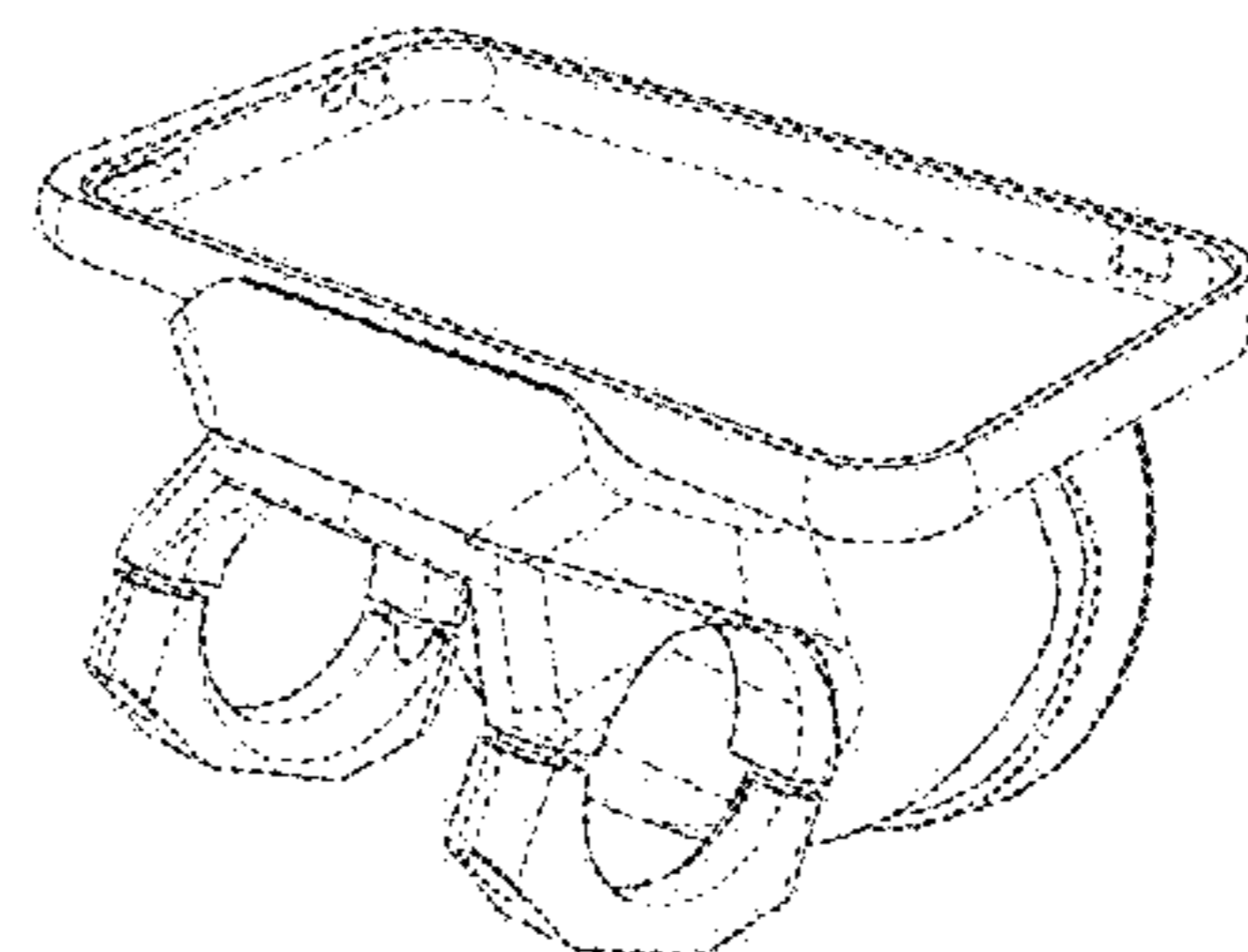
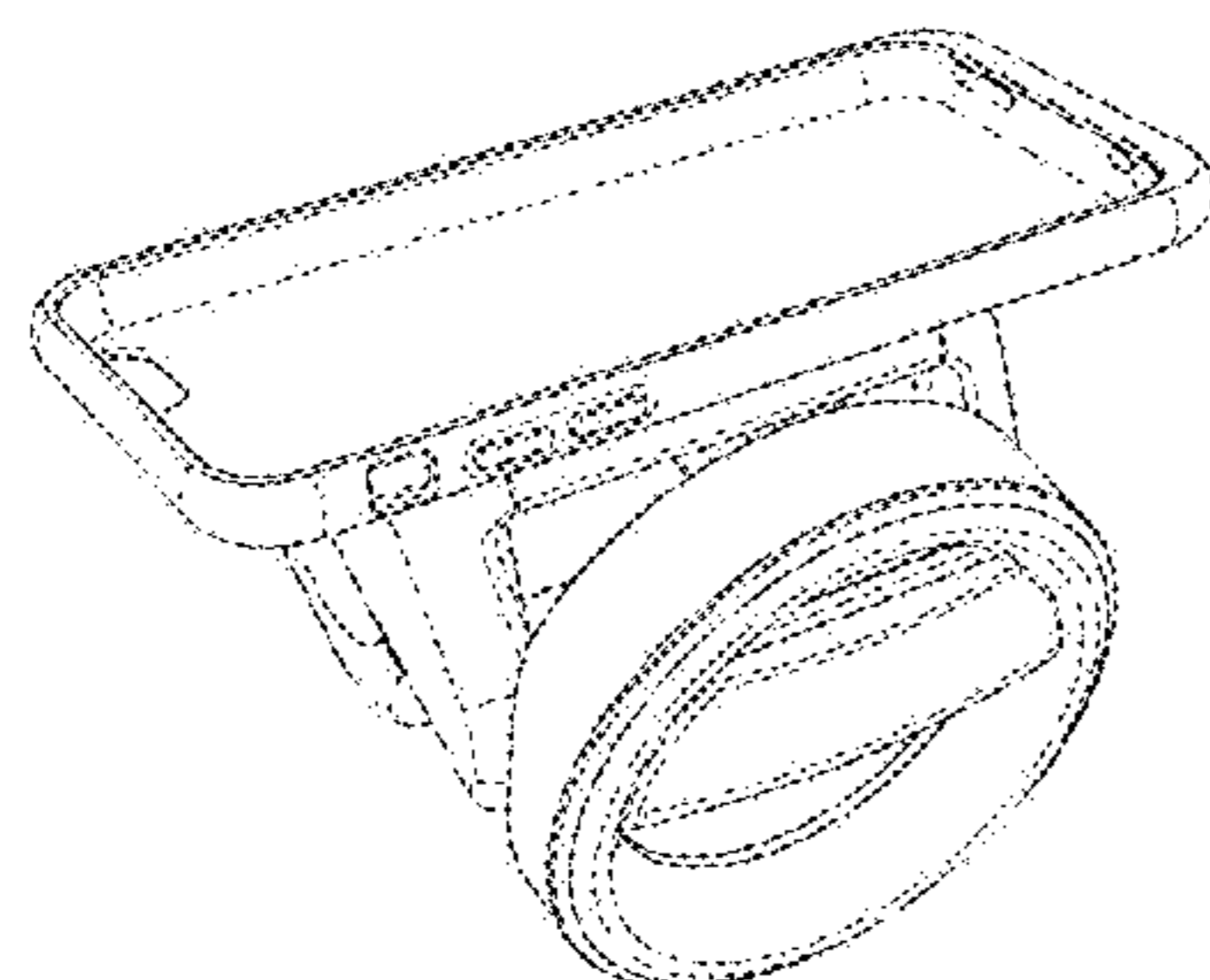
FIG. 3 is a top plan view of the electronic device holder.

FIG. 4 is a front, right perspective view of the electronic device holder.

FIG. 5 is a front, top perspective view of the electronic device holder; and,

FIG. 6 is a rear, top perspective view of the electronic device holder.

1 Claim, 3 Drawing Sheets



(56)

References Cited

U.S. PATENT DOCUMENTS

8,305,742 B2 *	11/2012	Onnela	B62J 11/00	29/622				
D675,147 S *	1/2013	Olschansky	D12/407					
D685,687 S *	7/2013	Richter	D12/114					
D686,216 S *	7/2013	Hachadorian	D14/447					
8,643,722 B2 *	2/2014	Solida	B62J 99/00	348/148				
8,708,205 B2 *	4/2014	Wotton	B62J 11/00	224/413				
D706,274 S *	6/2014	Shubin, Sr.	D14/447					
D707,220 S *	6/2014	Belby	D14/253					
D709,073 S *	7/2014	Inman	D14/447					
						D713,140 S *	9/2014	Krupnick D3/218
						D715,537 S *	10/2014	Soriano D3/218
						8,998,048 B1 *	4/2015	Wu B62J 11/00
									224/420
						D728,663 S *	5/2015	Russell D14/253
						2003/0106919 A1 *	6/2003	Chuang B62J 11/00
									224/420
						2013/0134196 A1 *	5/2013	Lee B62J 11/00
									224/448
						2014/0061270 A1 *	3/2014	Richter B62J 11/00
									224/420
						2015/0144754 A1 *	5/2015	Elharar B60R 11/0241
									248/230.8
						2016/0031381 A1 *	2/2016	Lin B62J 11/00
									224/548

* cited by examiner

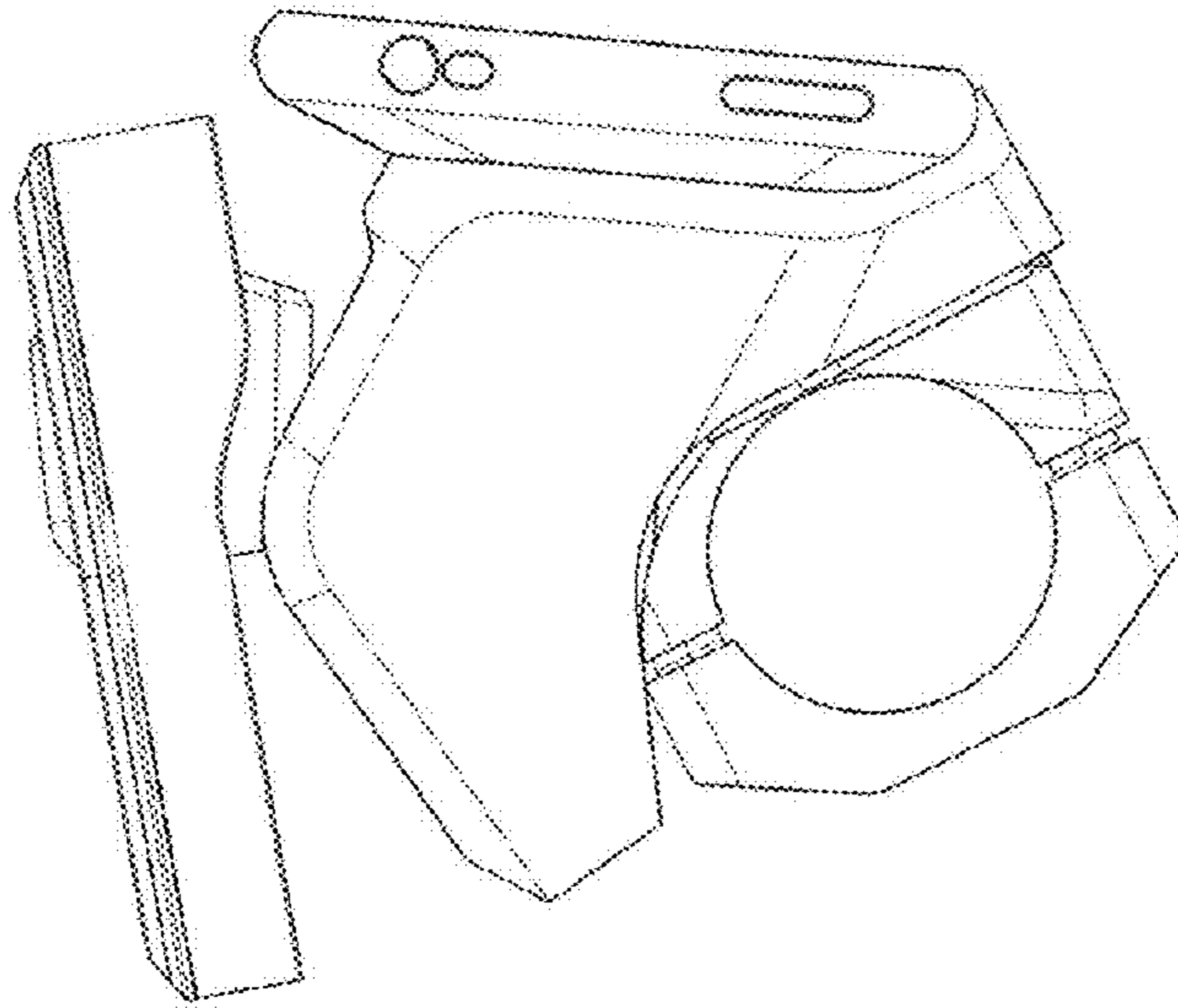


FIG. 1

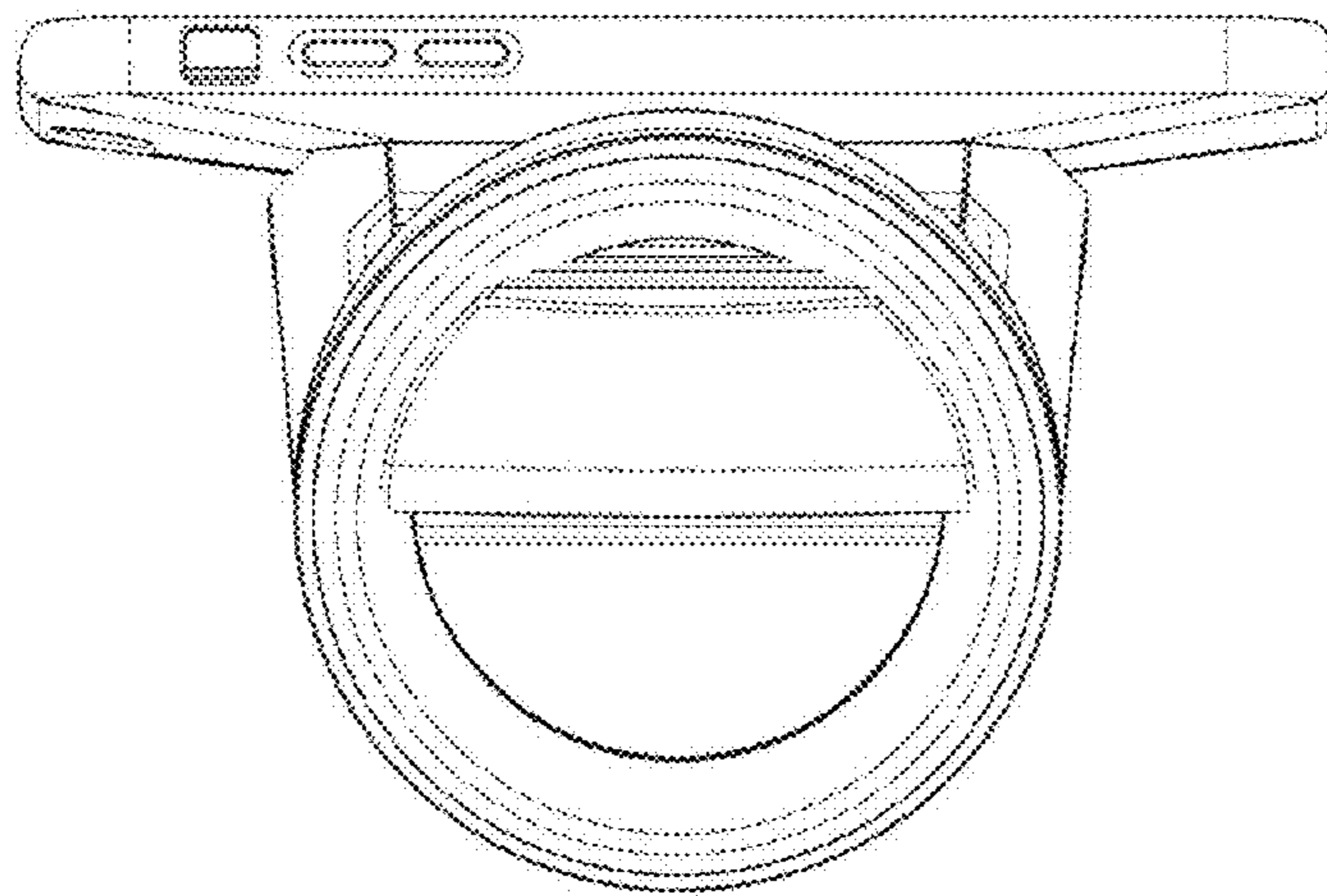


FIG. 2

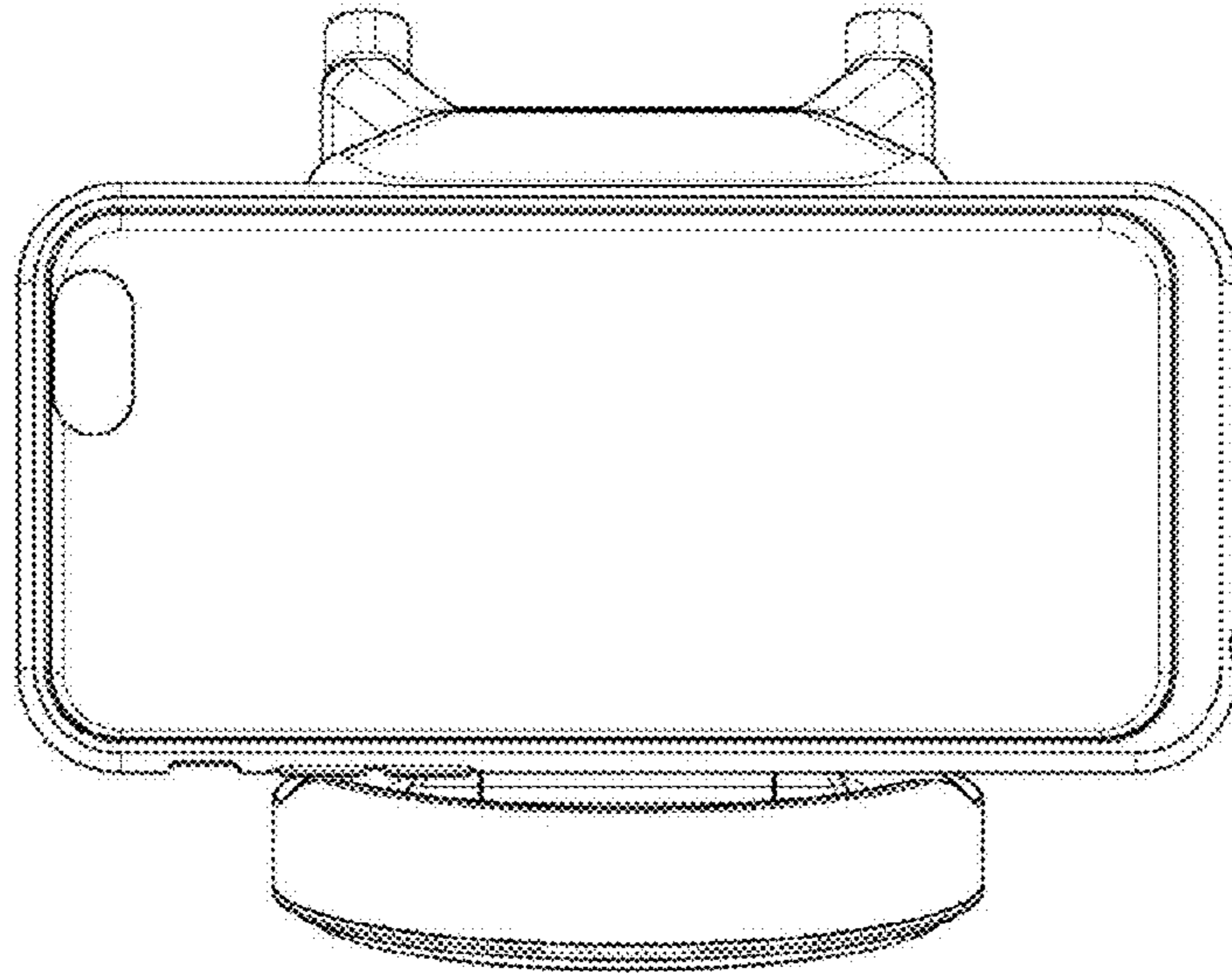


FIG. 3

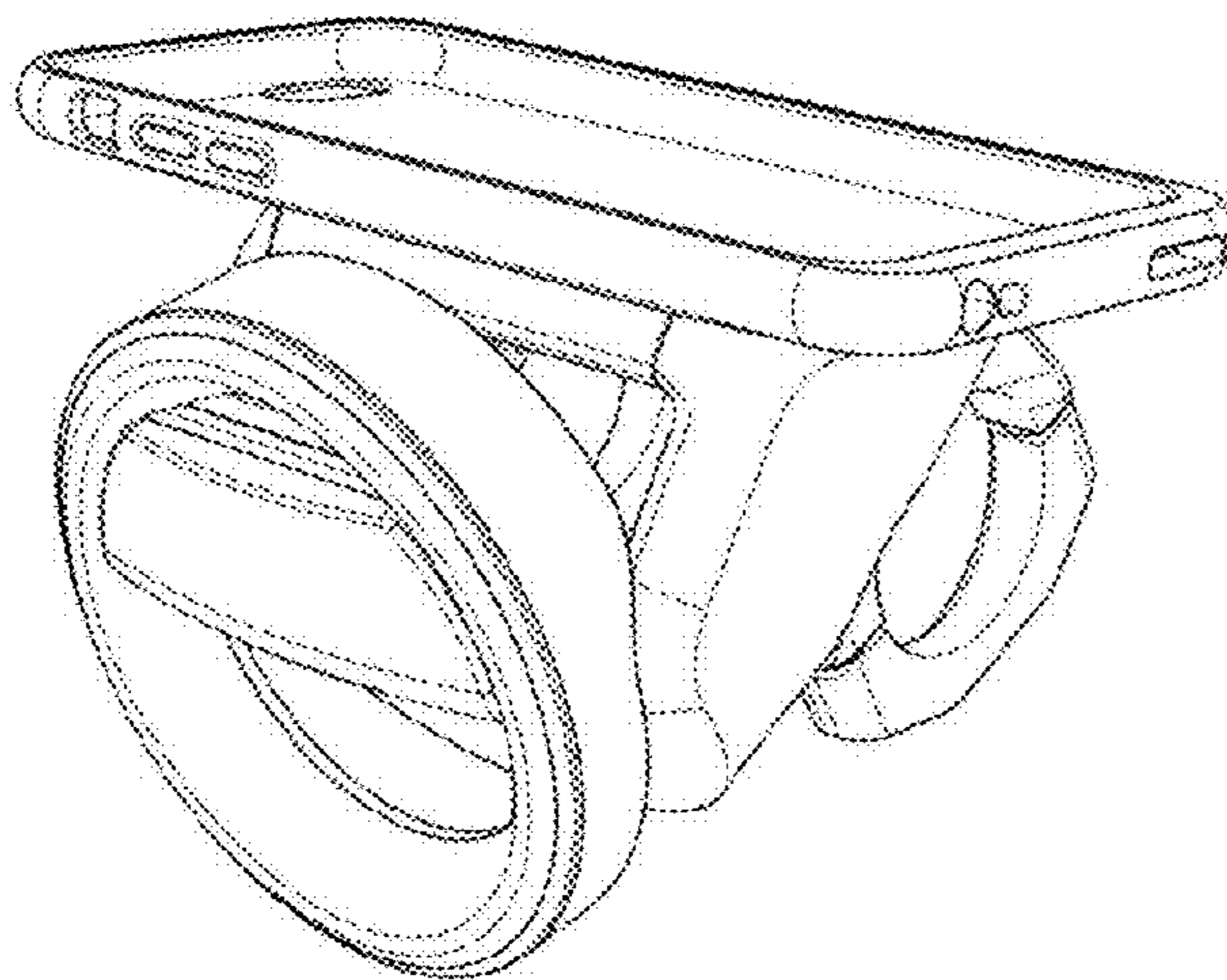


FIG. 4

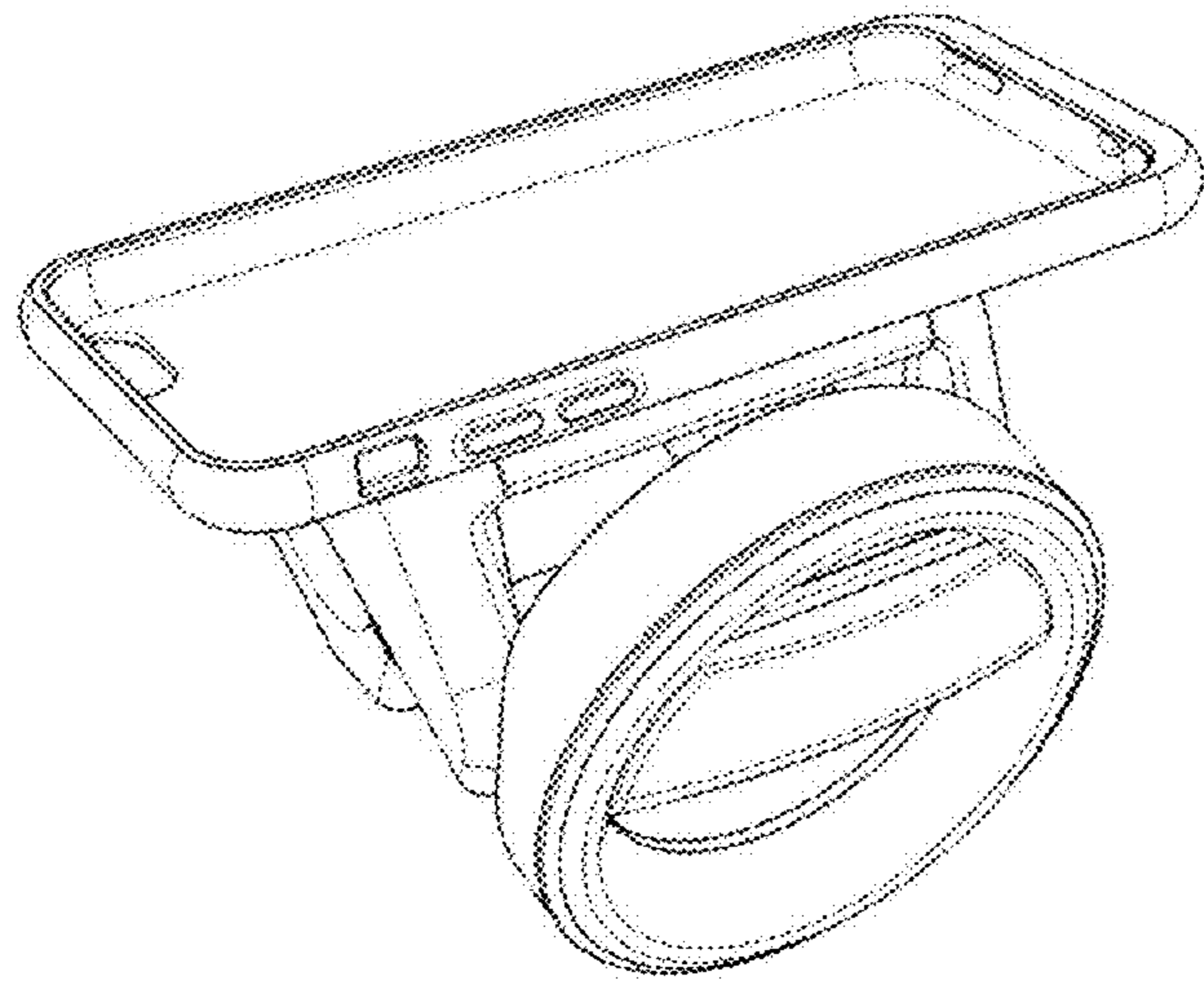


FIG. 5

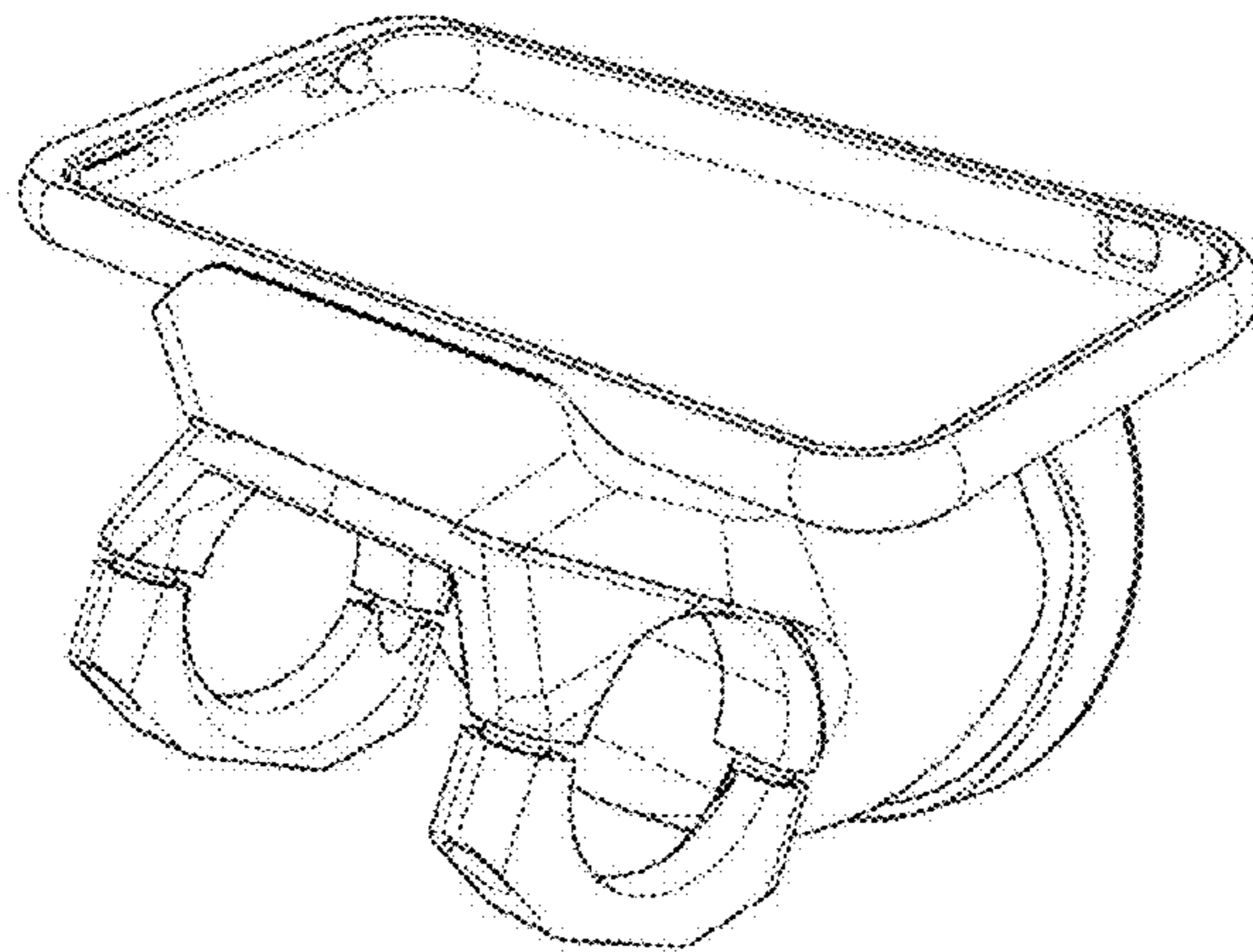


FIG. 6