



US00D772219S

(12) **United States Design Patent**  
**Daniels et al.**

(10) **Patent No.:** **US D772,219 S**  
(45) **Date of Patent:** **\*\* Nov. 22, 2016**

- (54) **ELECTRONIC DEVICE HOLDER**
- (71) Applicant: **COBI GmbH**, Frankfurt (DE)
- (72) Inventors: **Micha Daniels**, Darmstadt (DE);  
**Alexander Erdwiens**, Darmstadt (DE)
- (73) Assignee: **COBI GmbH**, Frankfurt (DE)
- (\*\*) Term: **15 Years**
- (21) Appl. No.: **29/542,436**
- (22) Filed: **Oct. 14, 2015**
- (30) **Foreign Application Priority Data**

Apr. 14, 2015 (EM) ..... 002 681 031-0005

(51) **LOC (10) Cl.** ..... **14-03**

(52) **U.S. Cl.**  
USPC ..... **D14/253**; D12/223; D12/407; D12/114

(58) **Field of Classification Search**  
USPC ..... D14/253, 251, 252, 447, 451, 452, 440,  
D14/434, 458, 432, 439, 457, 460, 238.1,  
D14/140, 142, 149, 217, 148, 140.8, 140.11,  
D14/209.1, 151, 140.9, 250; D13/107, 108;  
D12/415, 223, 114, 420, 417, 407,  
D12/177; D3/218; D16/242-245, 250, 237,  
D16/203, 214, 219; D8/349; D6/675, 672,  
D6/673, 675.4, 553, 676, 310, 406.3,  
D6/406.4, 406.5, 406.6, 407  
CPC ..... B60R 2011/0008; B60R 11/02; B60R  
11/0241; B60R 11/0258; B60R 11/0252;  
B60R 2011/0294; F16M 11/00; F16M 11/04;  
F16M 11/041; F16M 11/02; F16M 11/06;  
F16M 13/00; H04M 1/02; H04M 1/04;  
H04M 1/11; H04M 1/12; A47F 7/022;  
B62J 11/00; H05K 7/00; G03B 17/56  
See application file for complete search history.

(56) **References Cited**

**U.S. PATENT DOCUMENTS**

- 6,446,922 B2 \* 9/2002 Irie ..... B62J 99/00  
248/214
- 7,379,798 B2 \* 5/2008 Takeda ..... A63B 24/00  
340/427

(Continued)

**FOREIGN PATENT DOCUMENTS**

EM 002681031-0005 4/2015

*Primary Examiner* — Susan Bennett Hattan

*Assistant Examiner* — Janice Hallmark

(74) *Attorney, Agent, or Firm* — SoCal IP Law Group  
LLP; Steven C. Sereboff; M. Kala Sarvaiya

(57) **CLAIM**

The ornamental design for an electronic device holder, as shown and described.

**DESCRIPTION**

A portion of the disclosure of this patent document contains material to which a claim for copyright is made. The copyright owner has no objection to the facsimile reproduction by anyone of the patent document or the patent disclosure, as it appears in the Patent and Trademark Office patent file or records, but reserves all other copyright rights whatsoever.

FIG. 1 is a left side elevation view of an electronic device holder.

FIG. 2 is a front elevation view of the electronic device holder.

FIG. 3 is a top plan view of the electronic device holder.

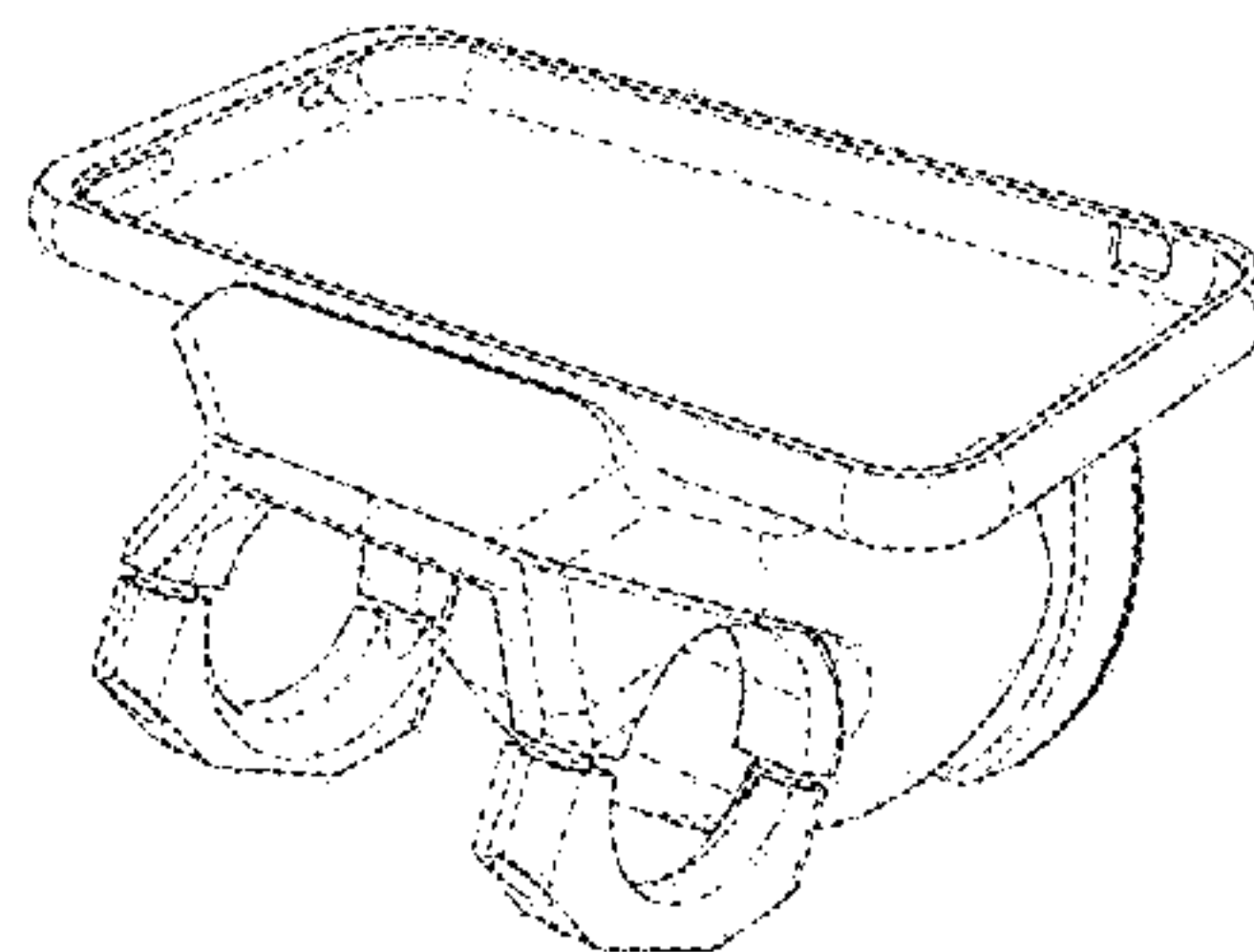
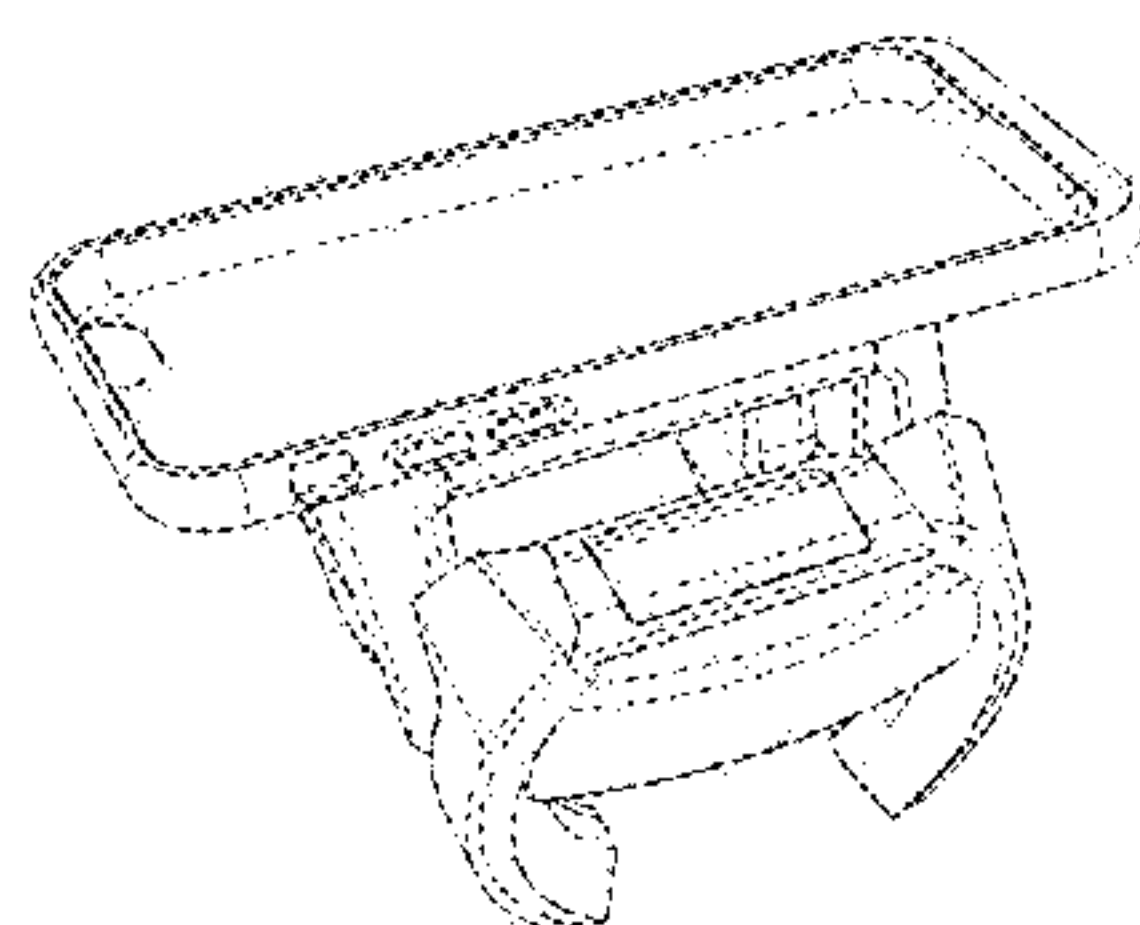
FIG. 4 is a front, right perspective view of the electronic device holder.

FIG. 5 is a front, top perspective view of the electronic device holder.

FIG. 6 is a rear, top perspective view of the electronic device holder; and,

FIG. 7 is a front, left perspective view of the electronic device holder.

**1 Claim, 4 Drawing Sheets**



(56)

References Cited

U.S. PATENT DOCUMENTS

D647,434 S *	10/2011	Chambers	.....	D12/114	D709,073 S *	7/2014	Inman	.....	D14/447
D652,779 S *	1/2012	Richter	.....	D12/223	D713,140 S *	9/2014	Krupnick	.....	D3/218
8,305,742 B2 *	11/2012	Onnela	.....	B62J 11/00 29/622	D715,537 S *	10/2014	Soriano	.....	D3/218
D675,147 S *	1/2013	Olschansky	.....	D12/407	8,998,048 B1 *	4/2015	Wu	.....	B62J 11/00 224/420
D685,687 S *	7/2013	Richter	.....	D12/114	D728,663 S *	5/2015	Russell	.....	D14/253
D686,216 S *	7/2013	Hachadorian	.....	D14/447	2003/0106919 A1 *	6/2003	Chuang	.....	B62J 11/00 224/420
8,643,722 B2 *	2/2014	Solida	.....	B62J 99/00 348/148	2013/0134196 A1 *	5/2013	Lee	.....	B62J 11/00 224/448
8,708,205 B2 *	4/2014	Wotton	.....	B62J 11/00 224/413	2014/0061270 A1 *	3/2014	Richter	.....	B62J 11/00 224/420
D706,274 S *	6/2014	Shubin, Sr.	.....	D14/447	2015/0144754 A1 *	5/2015	Elharar	.....	B60R 11/0241 248/230.8
D707,220 S *	6/2014	Belby	.....	D14/253	2016/0031381 A1 *	2/2016	Lin	.....	B62J 11/00 224/548

\* cited by examiner

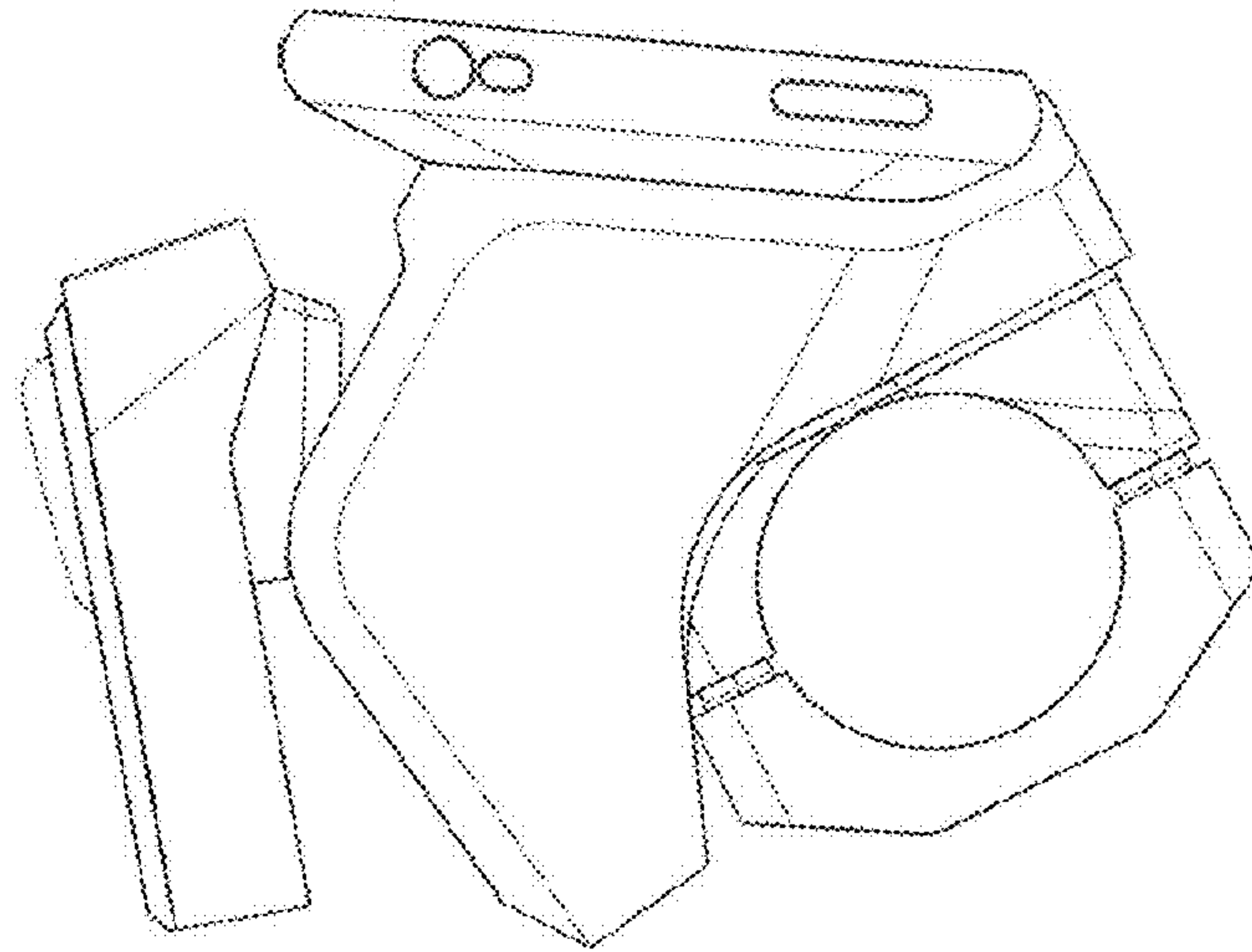


FIG. 1

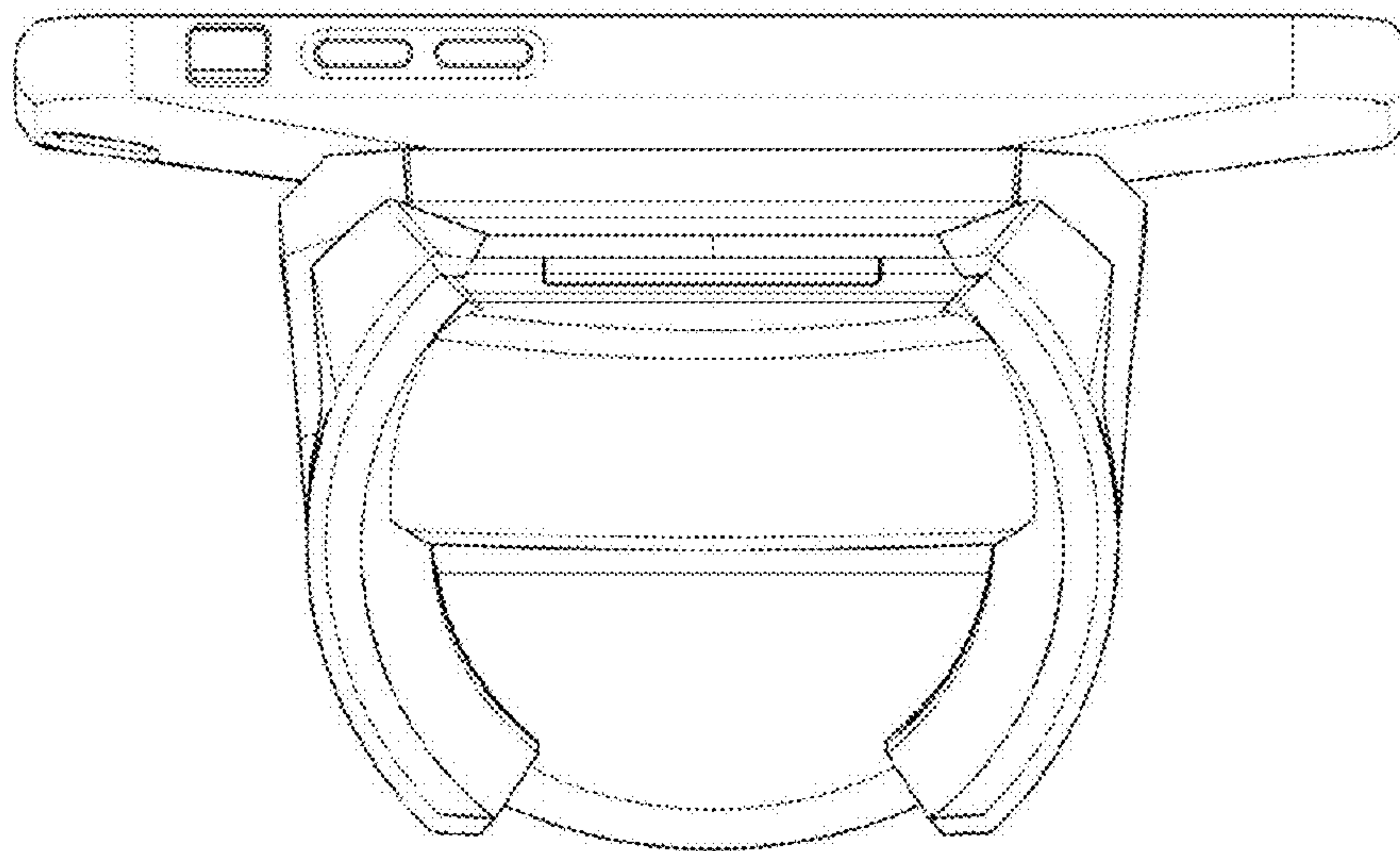


FIG. 2

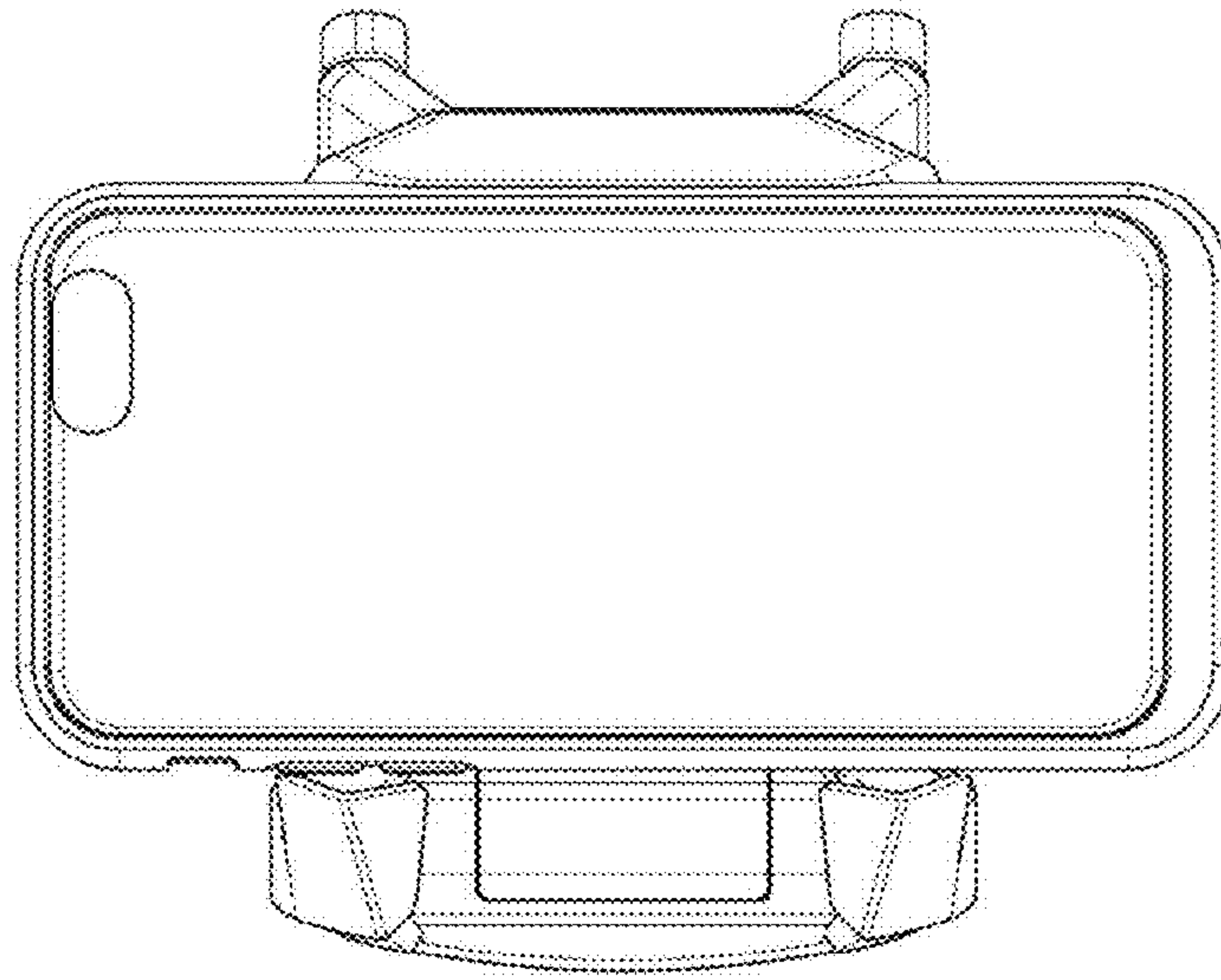


FIG. 3

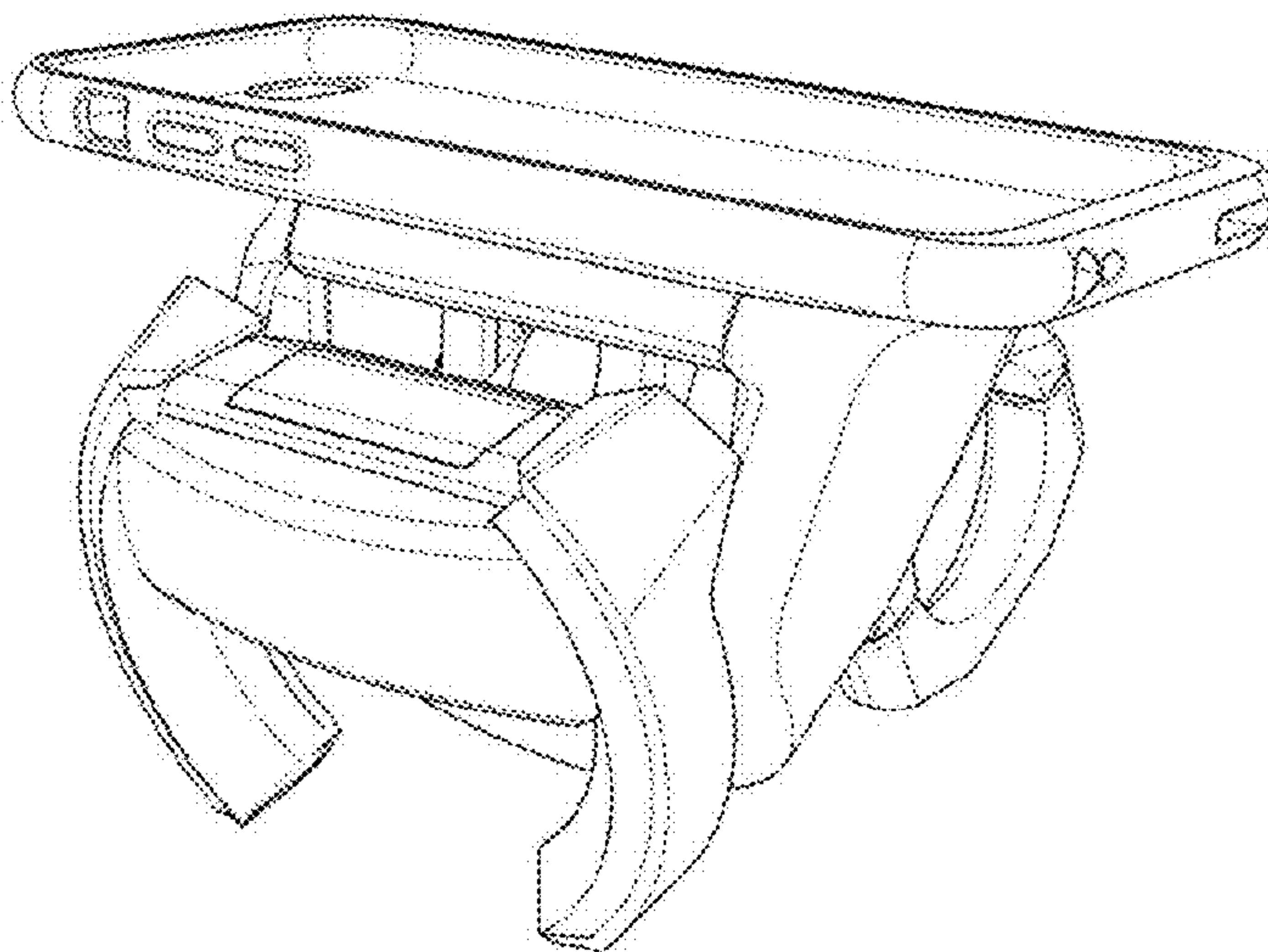


FIG. 4



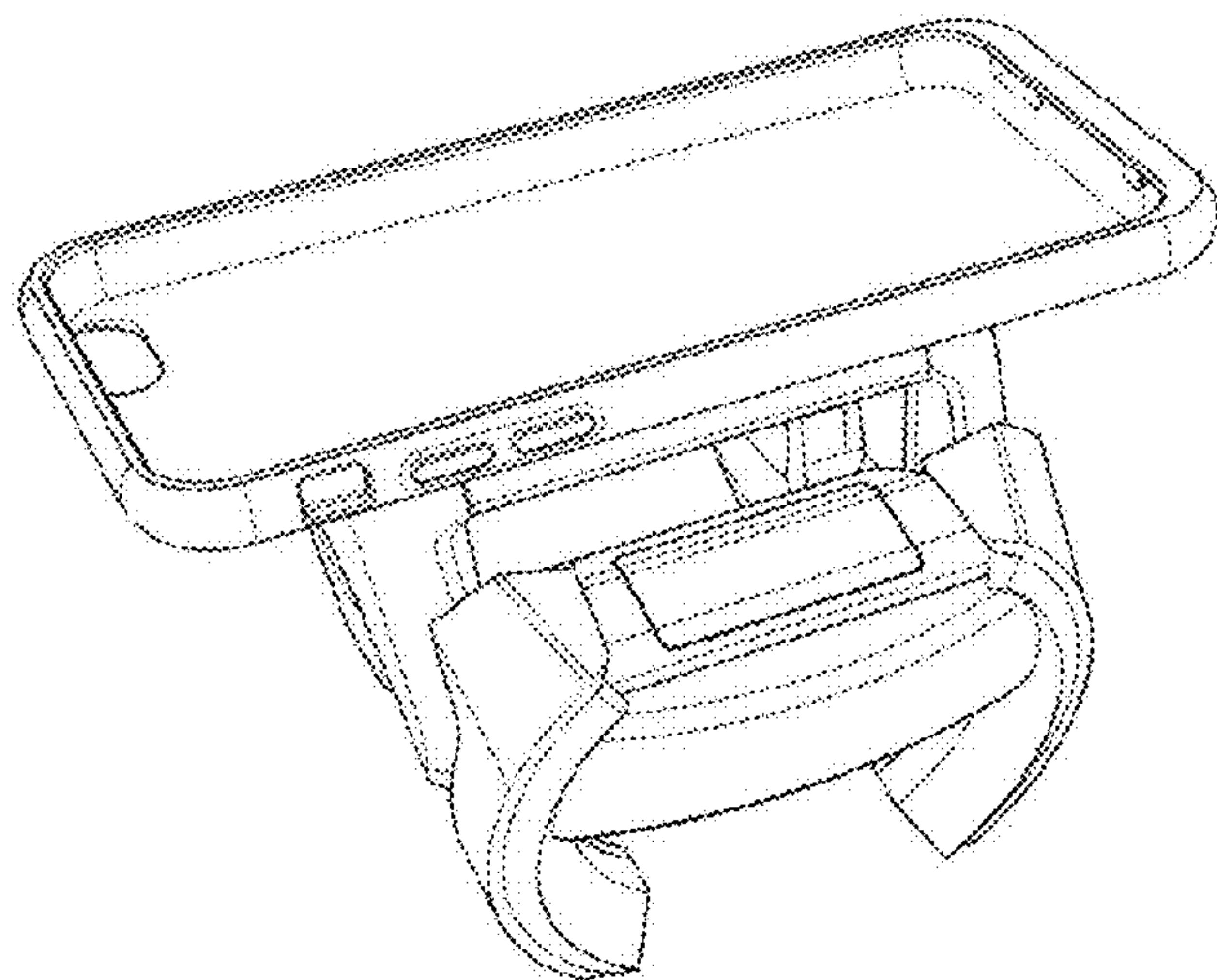


FIG. 5

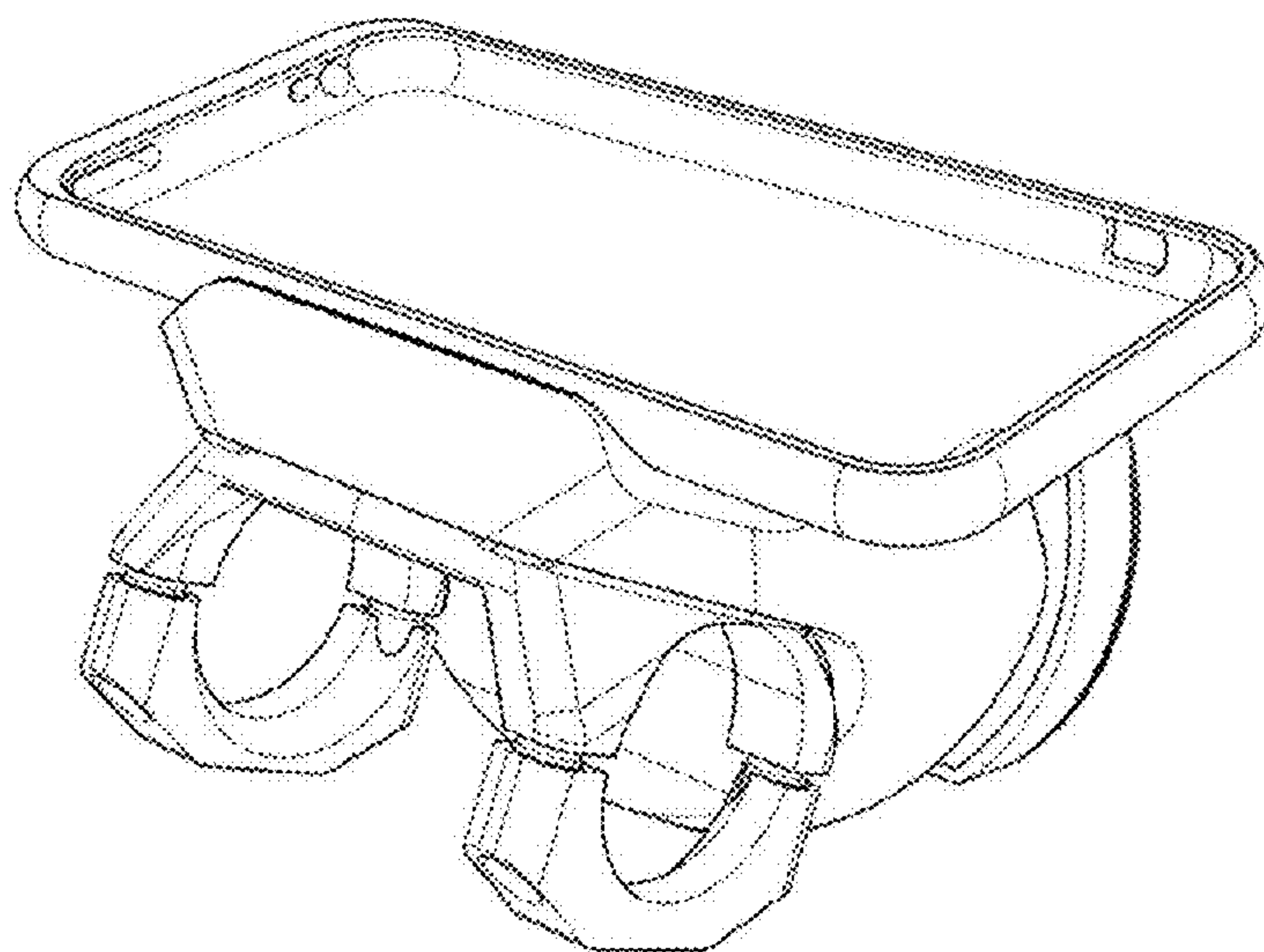


FIG. 6

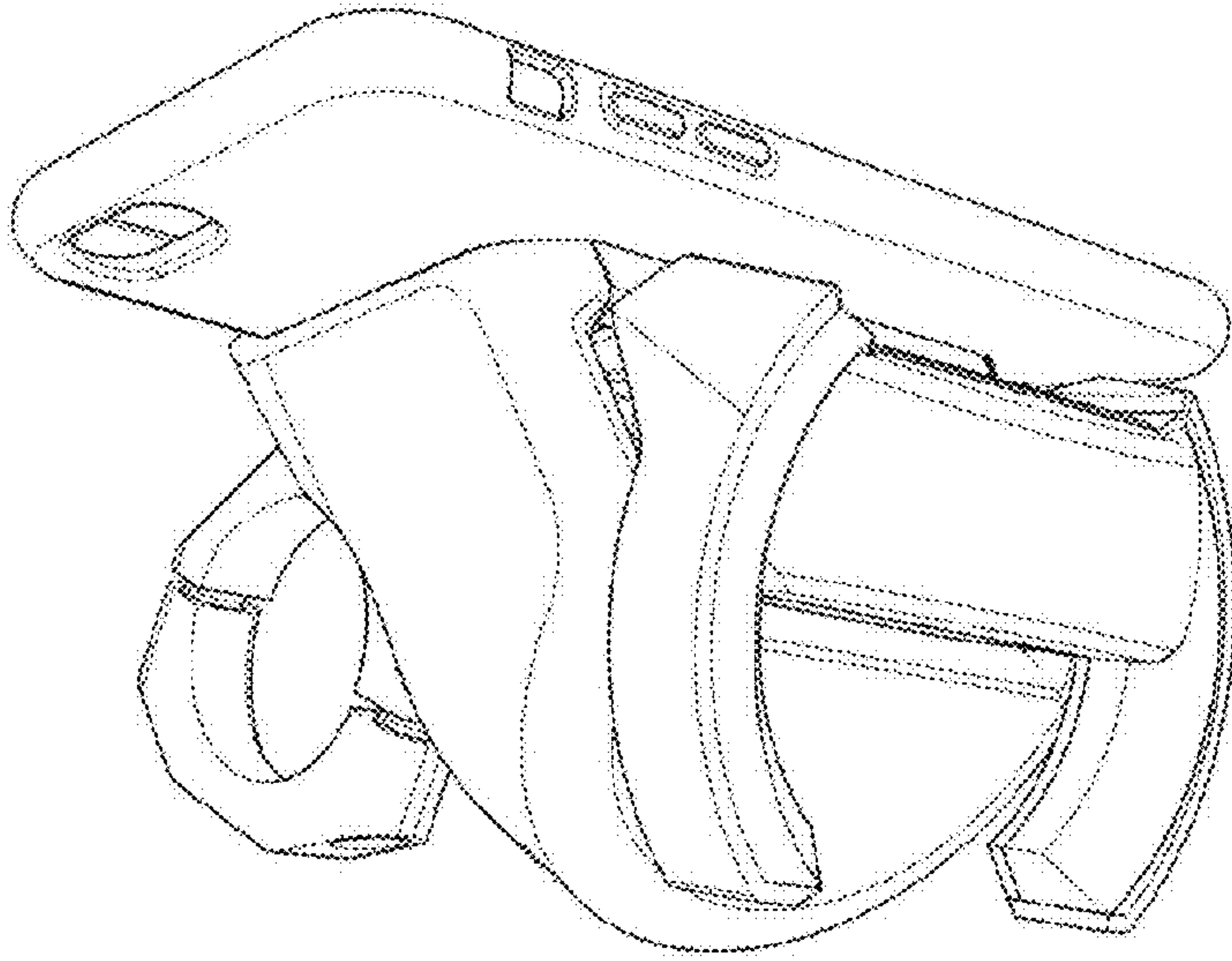


FIG. 7