



US00D772218S

(12) **United States Design Patent**
Alesi et al.

(10) **Patent No.:** **US D772,218 S**
(45) **Date of Patent:** **** Nov. 22, 2016**

- (54) **CELL PHONE HOLDER**
- (71) Applicant: **Custom Accessories Inc.**, Richmond, IL (US)
- (72) Inventors: **Vincent Anthony Alesi**, Richmond, IL (US); **Anthony Salvatore Ferenzi**, Richmond, IL (US)
- (73) Assignee: **Custom Accessories, Inc.**, Richmond, IL (US)
- (**) Term: **14 Years**
- (21) Appl. No.: **29/516,850**
- (22) Filed: **Feb. 6, 2015**
- (51) **LOC (10) Cl.** **14-03**
- (52) **U.S. Cl.**
USPC **D14/253**
- (58) **Field of Classification Search**
USPC D14/251–253, 432, 434, 447, 451, 452, D14/140, 142, 149, 217, 240, 299, 496; D3/215, 218, 219, 328; D13/107, 108; D10/23; D8/71, 72, 74, 349, 373; D6/302, 303, 306, 310, 312; 455/575.1; D19/88; D16/242, 245; D21/313; D12/400, 415–418, D12/420–422, 426, 223; 379/454
CPC H04M 1/00; H04M 1/04; H04M 1/06; H04M 1/11; H04B 1/3877; H04B 1/3888; F16M 11/04; F16M 11/041; B60R 11/02; B60R 11/0241; B60R 11/0258; B60R 11/0252; A45F 5/021; A45F 2005/025
See application file for complete search history.

(56) **References Cited**

U.S. PATENT DOCUMENTS

5,457,745 A * 10/1995 Wang B60R 11/0241
379/426

(Continued)

OTHER PUBLICATIONS

Bracketron TekGrip Vent Mount—BT1-641-2. autoanything.com. (online .gif) 2 pgs. [retrieved on Jul. 6, 2016]. Retrieved from Internet: <http://www.autoanything.com/mobile-electronics/77A10465A4150695.aspx>.*

(Continued)

Primary Examiner — Susan Bennett Hattan
Assistant Examiner — Marie Fast Horse
(74) *Attorney, Agent, or Firm* — Leydig, Voit & Mayer, Ltd.

CLAIM

(57) The ornamental design for a cell phone holder, as shown and described.

DESCRIPTION

FIG. 1 is a perspective view taken from the front, top, and left side of a cell phone holder in accordance with my new design in a first configuration for use, shown mounted to a stand.

FIG. 2 is a perspective view taken from the rear, top, and right side of the cell phone holder of FIG. 1 in the first configuration shown mounted to the stand.

FIG. 3 is a perspective view taken from the front, top, and left side of the cell phone holder of FIG. 1 in the first configuration.

FIG. 4 is a perspective view taken from the front, top, and left side of the cell phone holder of FIG. 1 in a second configuration for use, consisting of extended arms and flipped-down feet.

FIG. 5 is a perspective view taken from the rear, top, and right side of the cell phone holder of FIG. 1 in the first configuration.

FIG. 6 is a perspective view taken from the rear, top, and right side of the cell phone holder of FIG. 1 in the second configuration.

FIG. 7 is a front view of the cell phone holder of FIG. 1 in the second configuration.

FIG. 8 is a rear view of the cell phone holder of FIG. 1 in the second configuration.

FIG. 9 is a left side elevational view of the cell phone holder of FIG. 1 in the second configuration.

FIG. 10 is a right side elevational view of the cell phone holder of FIG. 1 in the second configuration.

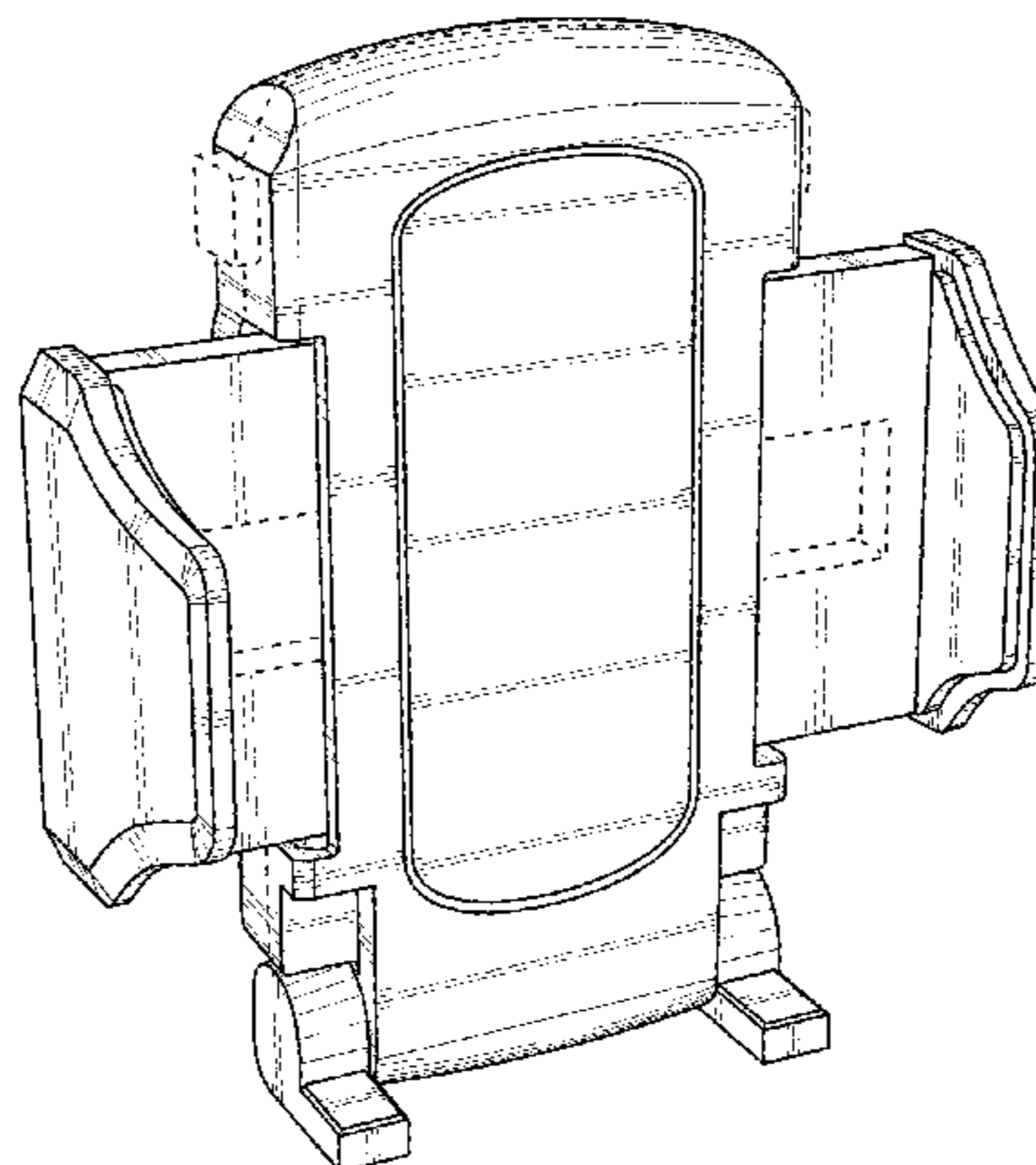
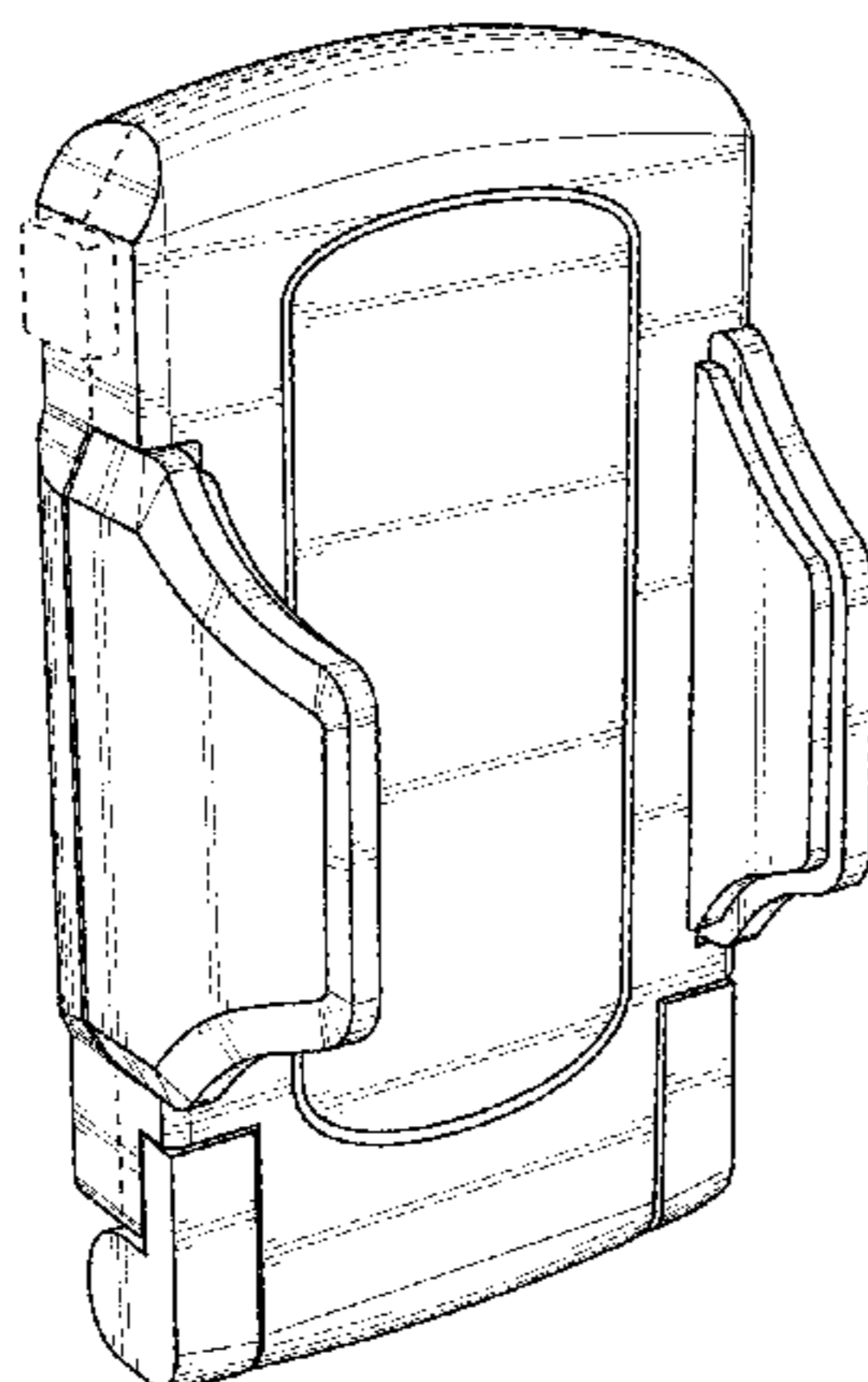
FIG. 11 is a top view of the cell phone holder of FIG. 1 in the second configuration; and,

FIG. 12 is a bottom view of the cell phone holder of FIG. 1 in the second configuration.

The broken lines in FIGS. 1 and 2 showing the stand depict environmental subject matter only and form no part of the claim.

The broken lines shown depict portions of the cell phone holder that form no part of the claimed design.

1 Claim, 10 Drawing Sheets



(56)

References Cited

U.S. PATENT DOCUMENTS

D379,463 S * 5/1997 Richter D14/253
 5,694,468 A * 12/1997 Hsu B60R 11/0241
 379/426
 D390,849 S * 2/1998 Richter D14/253
 D405,453 S * 2/1999 Richter D14/253
 D411,542 S * 6/1999 Richter D14/253
 D411,543 S * 6/1999 Richter D14/253
 D415,771 S * 10/1999 Richter D14/253
 D431,250 S * 9/2000 Richter D14/447
 D432,121 S * 10/2000 Chen D14/243
 6,312,284 B1 * 11/2001 Tsay B60N 3/14
 439/529
 D452,236 S * 12/2001 Kohli D14/243
 D456,024 S * 4/2002 Richter D14/434
 D471,187 S * 3/2003 Song D14/142
 D499,092 S * 11/2004 Fan D14/217
 D517,557 S * 3/2006 Brassard D14/434
 D521,990 S * 5/2006 Richter D14/253
 7,080,812 B2 * 7/2006 Wadsworth B60R 11/02
 248/316.1
 D529,905 S * 10/2006 Richter D14/253
 D530,713 S * 10/2006 Richter D14/253
 D535,988 S * 1/2007 Kettula D14/253
 D566,118 S * 4/2008 Brassard D14/434
 D603,322 S * 11/2009 Nicieja D12/415
 D626,953 S * 11/2010 Wilson D14/252
 D685,379 S * 7/2013 Richter D14/253
 D685,380 S * 7/2013 Richter D14/253
 D685,804 S * 7/2013 Richter D14/253
 D705,211 S * 5/2014 Huang D14/253
 D707,672 S * 6/2014 Lai D14/253
 D709,066 S * 7/2014 Byun D14/253
 9,004,434 B2 * 4/2015 Kang H04M 1/04
 248/229.12
 D732,013 S * 6/2015 Aspinall D14/253
 D733,115 S * 6/2015 Aspinall D14/253

D750,612 S * 3/2016 Chen D14/253
 D752,571 S * 3/2016 Richter D14/253
 2005/0236536 A1 * 10/2005 Fan B60R 11/02
 248/176.3
 2005/0279902 A1 * 12/2005 Richter B60R 11/00
 248/316.4
 2006/0027724 A1 * 2/2006 Richter B60R 11/0241
 248/429
 2006/0278788 A1 * 12/2006 Fan B60R 11/02
 248/309.1
 2007/0034753 A1 * 2/2007 Lee B60R 11/0241
 248/121
 2007/0284500 A1 * 12/2007 Fan B60R 11/02
 248/346.06
 2009/0090757 A1 * 4/2009 Kim B60R 11/0235
 224/559
 2010/0294818 A1 * 11/2010 LaFargue B60R 11/0241
 224/400
 2010/0295228 A1 * 11/2010 Woody B60R 11/0241
 269/254 R
 2011/0073743 A1 * 3/2011 Shamie B60R 11/02
 248/537
 2011/0148352 A1 * 6/2011 Wang B60R 11/0241
 320/108
 2012/0267406 A1 * 10/2012 Fan B60R 11/02
 224/482
 2014/0176062 A1 * 6/2014 Jung B60R 11/02
 320/108

OTHER PUBLICATIONS

Bracketron—TekGrip Vent Mount for Most GPS. bestbuy.com
 (online) 5 pgs. Available as early as Sep. 26, 2014 [retrieved on Jul.
 6, 2016]. Retrieved from Internet: <http://www.bestbuy.com/site/bracketron-tek-grip-vent-mount-for-most-gps/7662164.p?id=1219285526353&skuId=7662164>.*

* cited by examiner

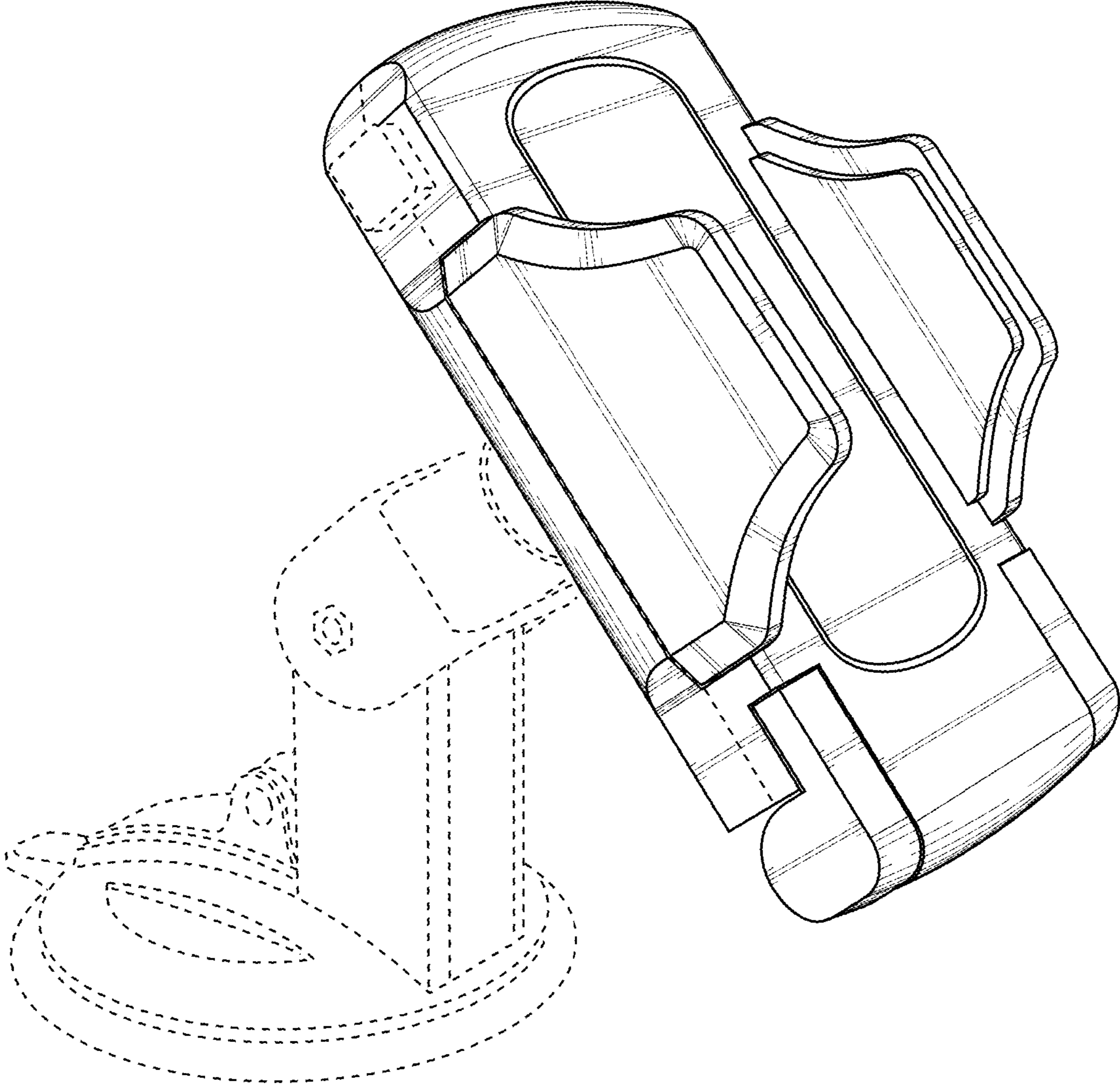


FIG. 1

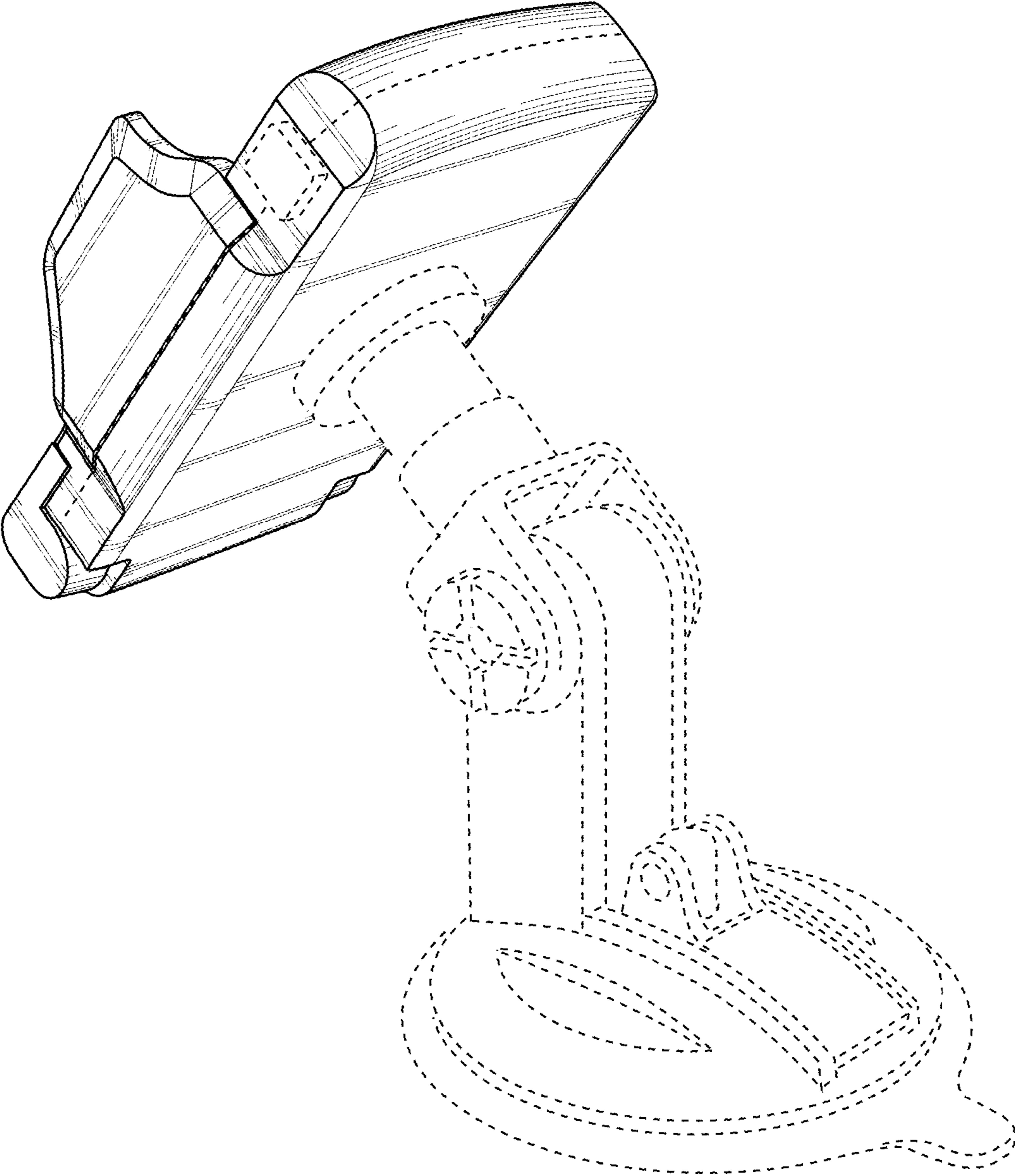


FIG. 2

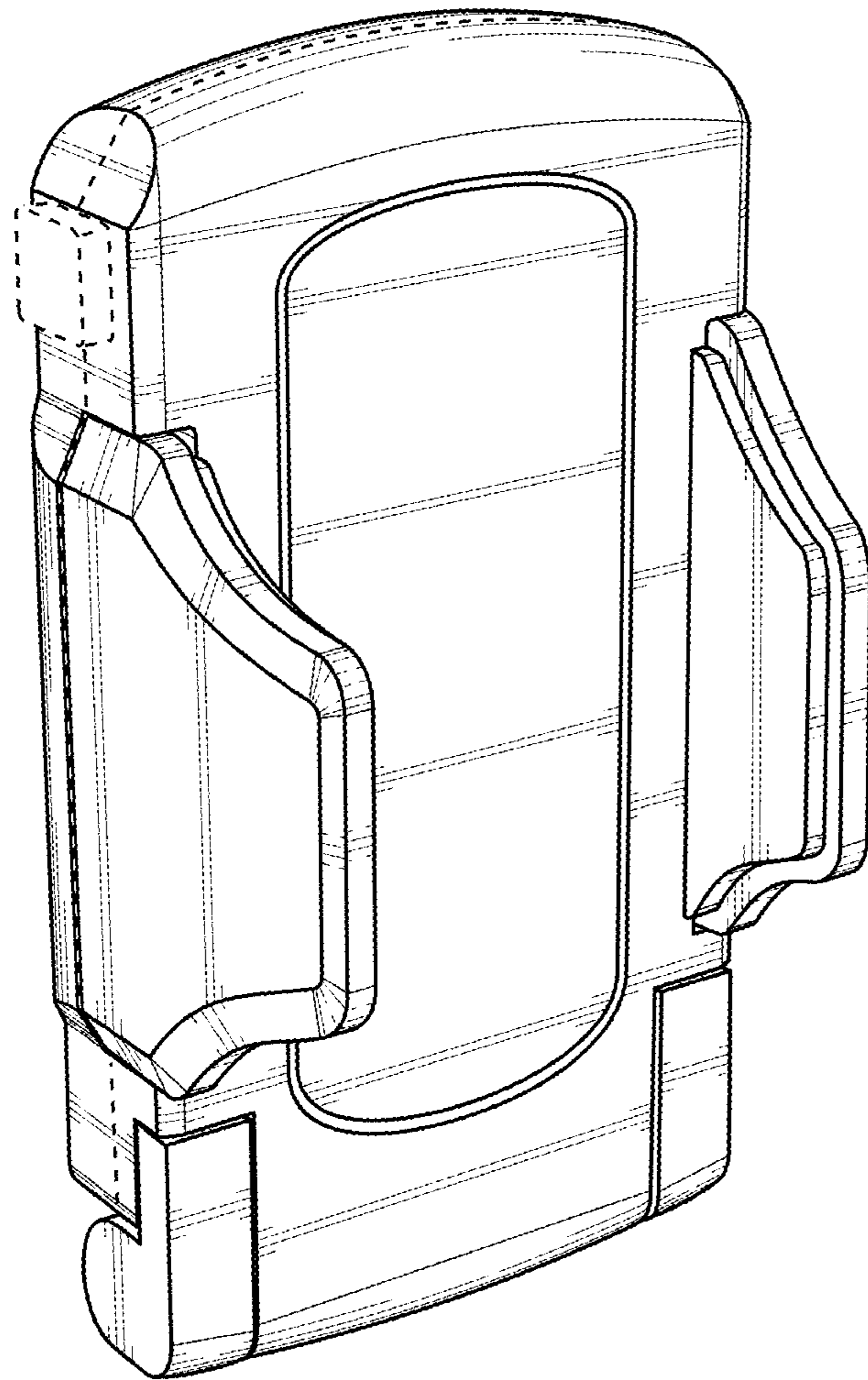


FIG. 3

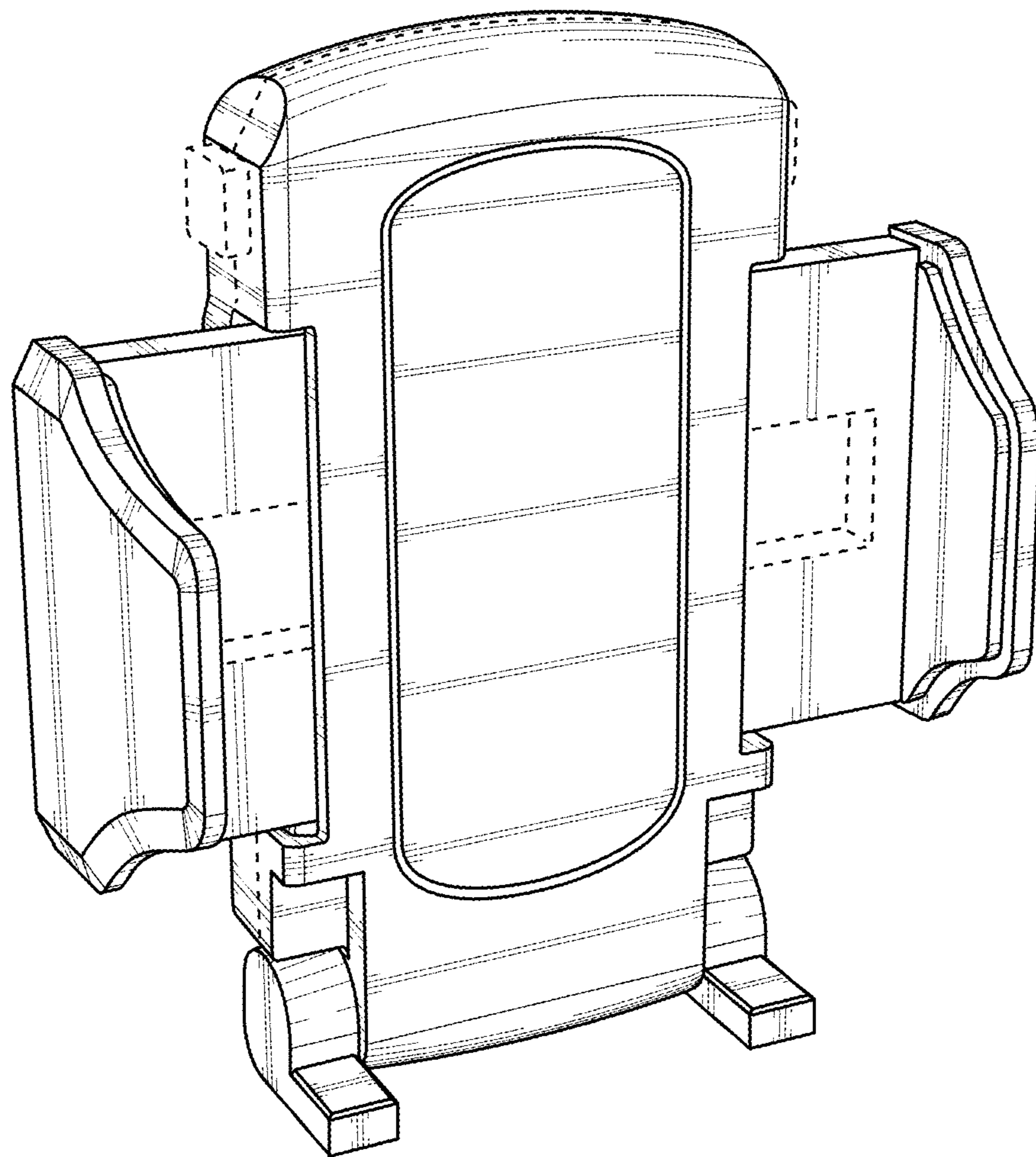


FIG. 4

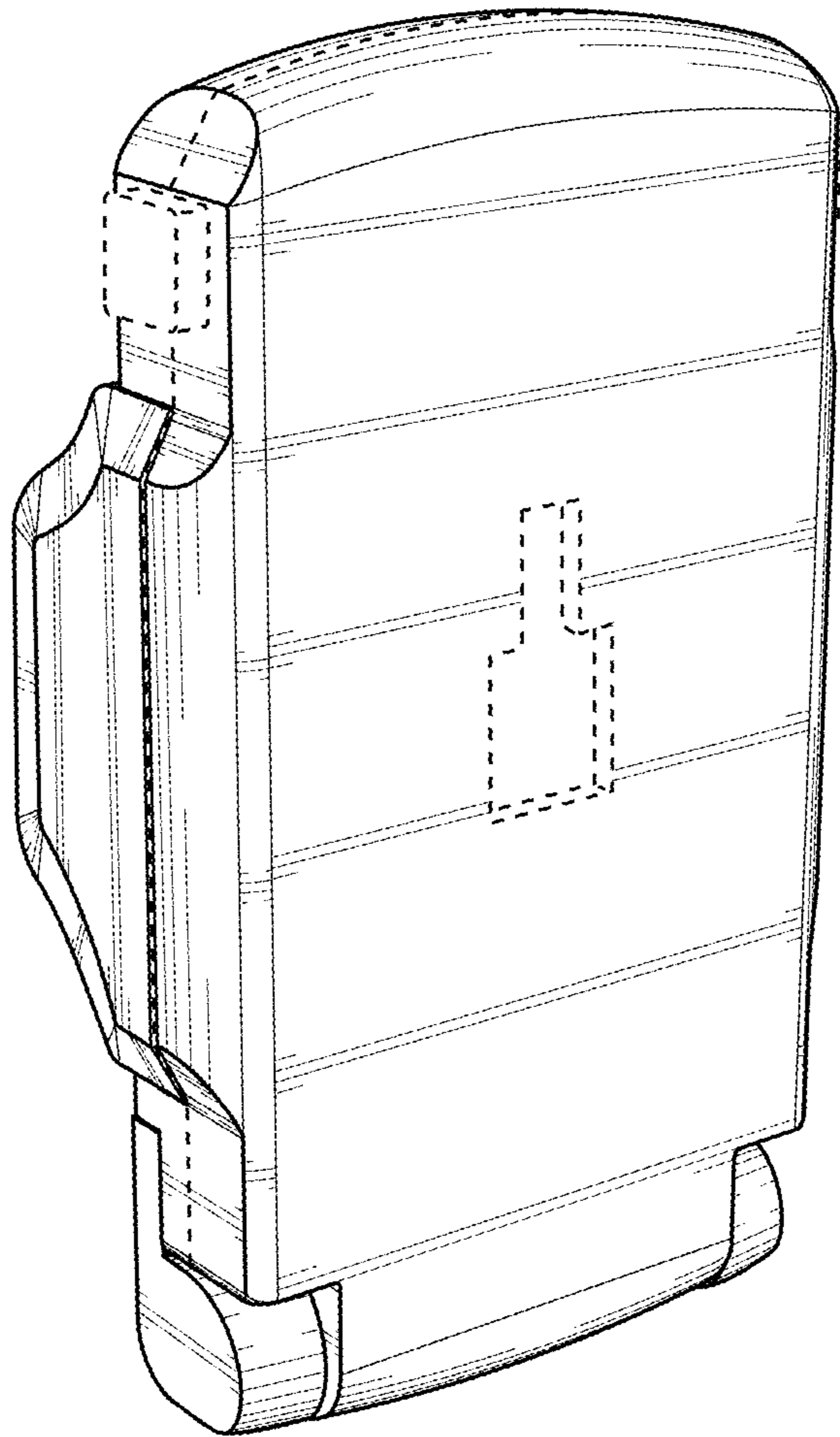


FIG. 5

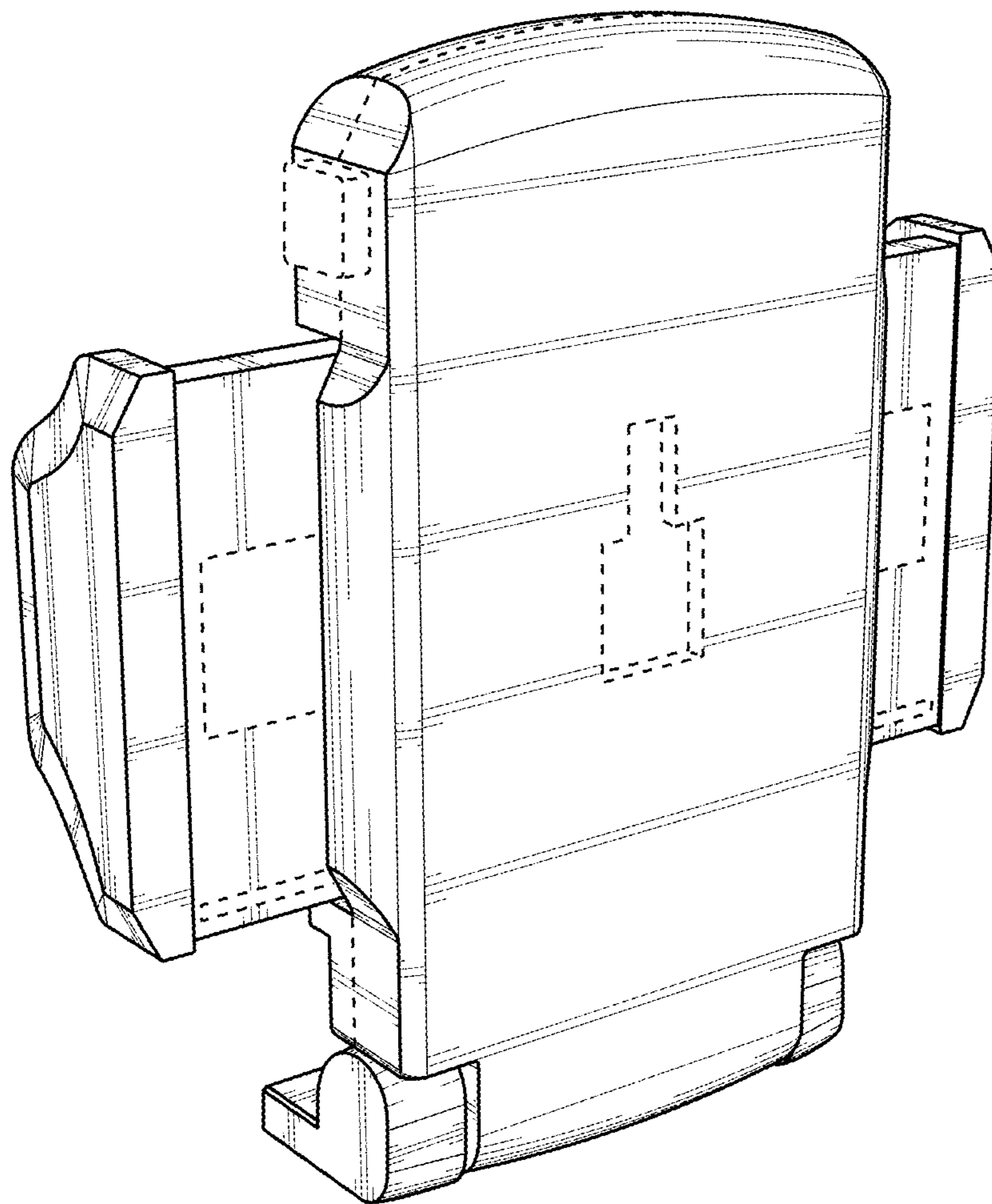


FIG. 6

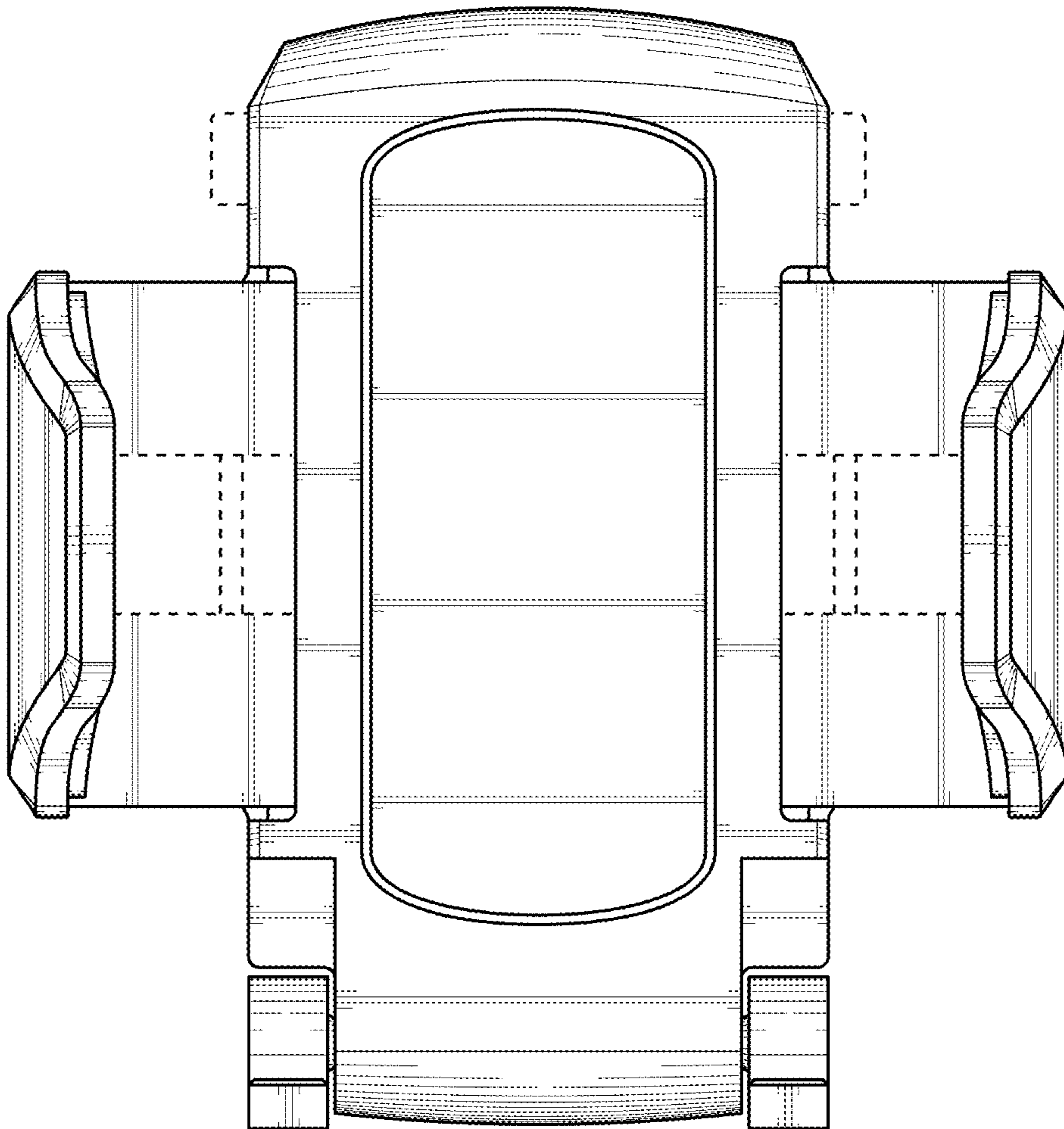


FIG. 7

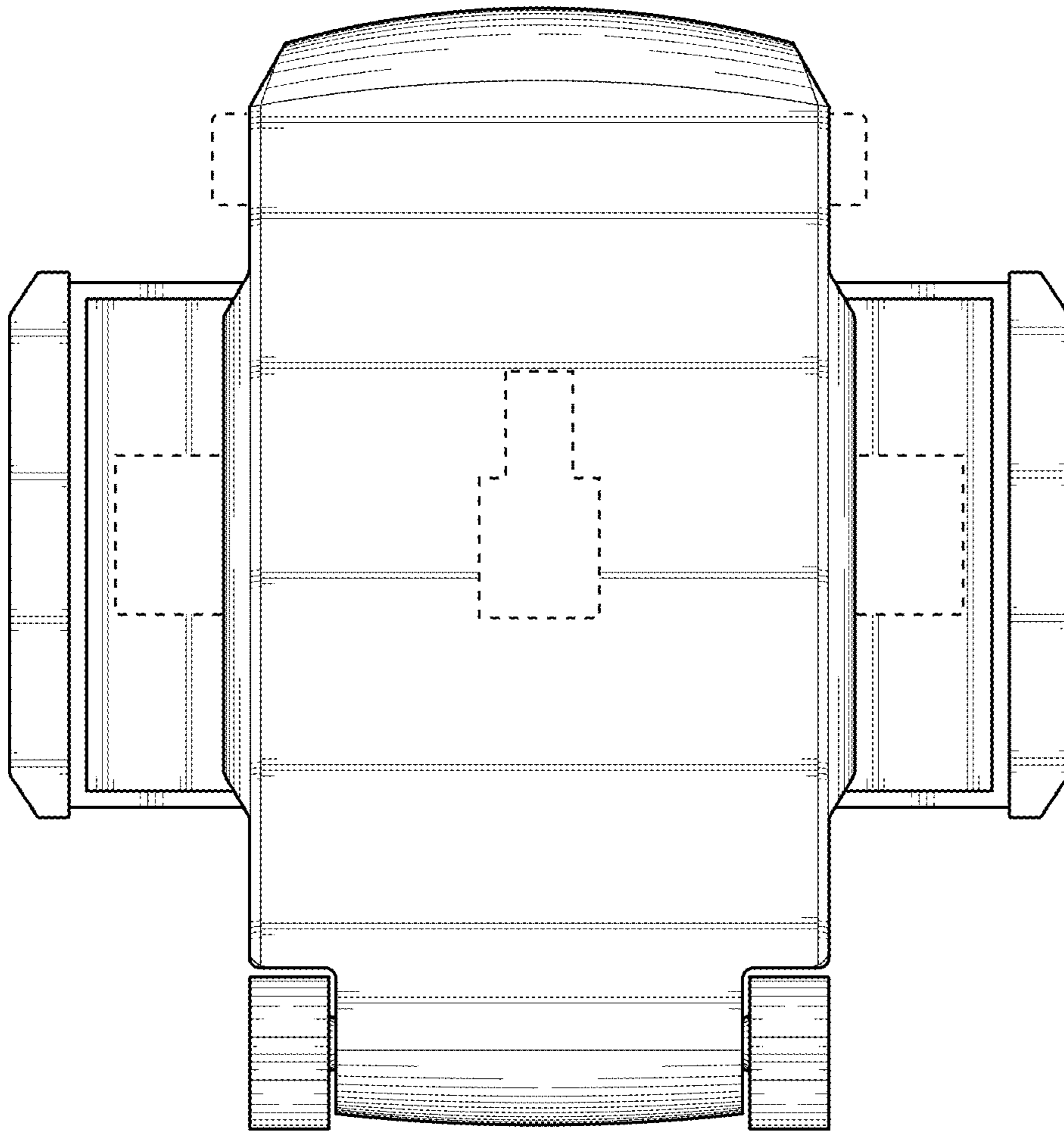


FIG. 8

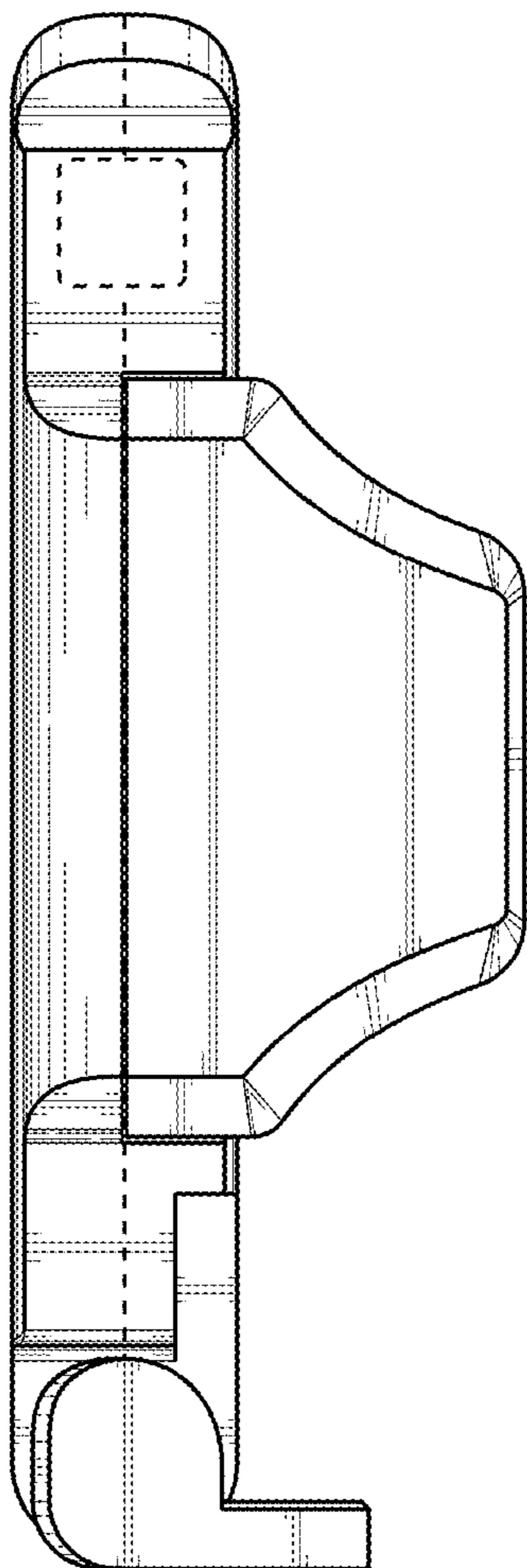


FIG. 9

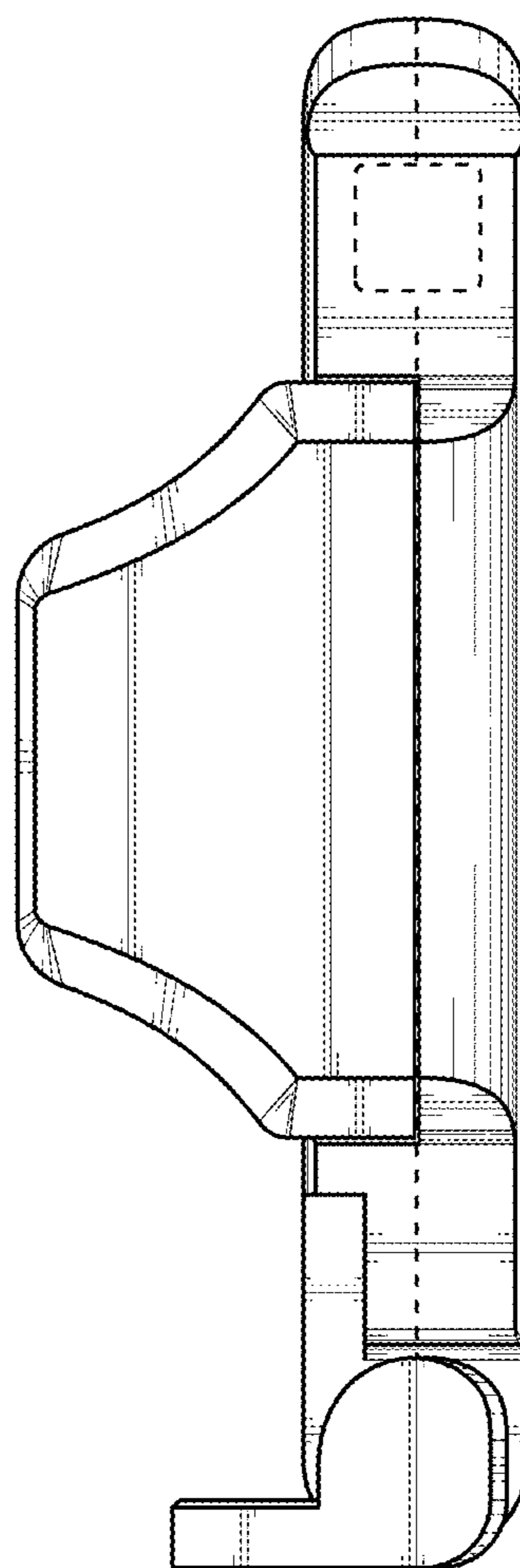


FIG. 10

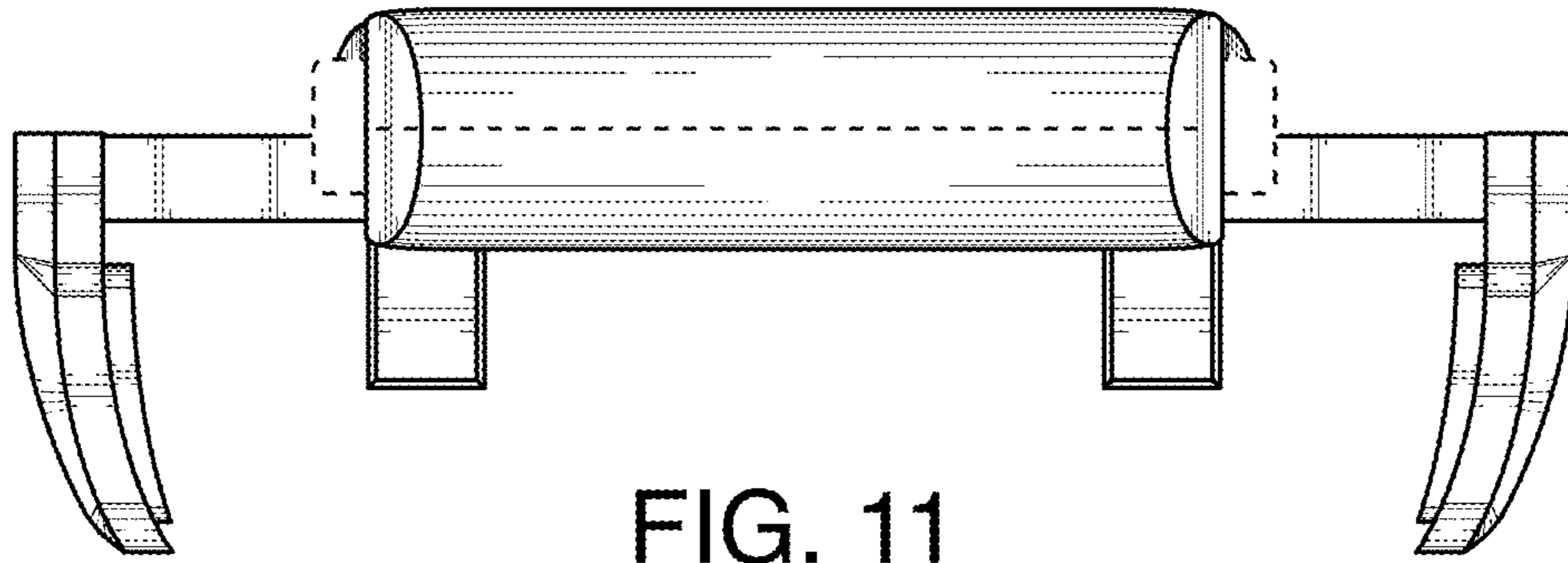


FIG. 11

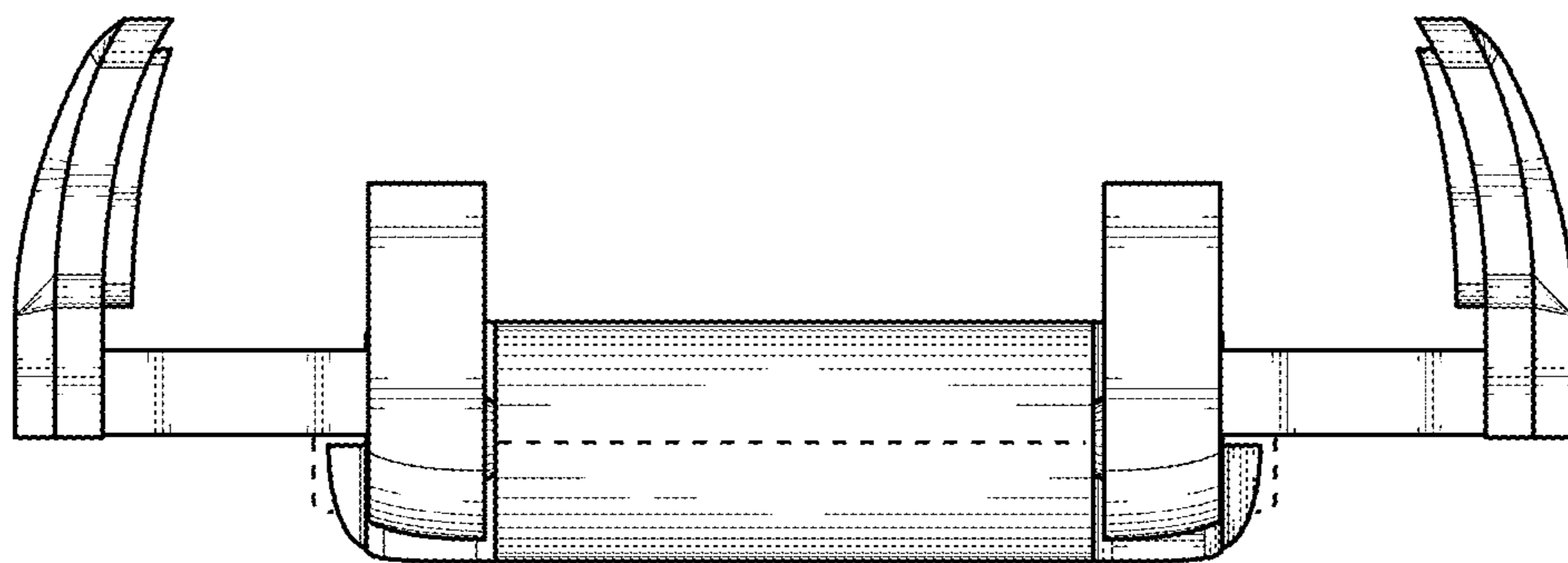


FIG. 12