



US00D772217S

(12) **United States Design Patent**  
**Alesi et al.**

(10) **Patent No.:** **US D772,217 S**

(45) **Date of Patent:** **\*\* Nov. 22, 2016**

(54) **CELL PHONE HOLDER**

D418,119 S \* 12/1999 Rowell ..... D3/218  
D609,030 S \* 2/2010 Barabas ..... D14/238  
D685,804 S \* 7/2013 Richter ..... D14/253

(71) Applicant: **Custom Accessories Inc.**, Richmond,  
IL (US)

(Continued)

(72) Inventors: **Vincent Anthony Alesi**, Richmond, IL  
(US); **Anthony Salvatore Ferenzi**,  
Richmond, IL (US)

*Primary Examiner* — Susan Bennett Hattan

*Assistant Examiner* — Marie Fast Horse

(74) *Attorney, Agent, or Firm* — Leydig, Voit & Mayer,  
Ltd.

(73) Assignee: **Custom Accessories Inc.**, Richmond,  
IL (US)

(57) **CLAIM**

The ornamental design for a cell phone holder, as shown and  
described.

(\*\*) Term: **14 Years**

**DESCRIPTION**

(21) Appl. No.: **29/516,837**

(22) Filed: **Feb. 6, 2015**

(51) **LOC (10) Cl.** ..... **14-03**

(52) **U.S. Cl.**  
USPC ..... **D14/253**

(58) **Field of Classification Search**  
USPC ..... D14/251–253, 432, 434, 447, 451, 452,  
D14/140, 142, 149, 217, 240, 299, 496;  
D3/215, 218, 219, 328; D13/107, 108;  
D10/23; D8/71, 72, 74, 349, 373;  
D6/302, 303, 306, 310, 312;  
455/575.1; D19/88; D16/242, 245;  
D21/313; D12/400, 415–418,  
D12/420–422, 426, 223; 379/454  
CPC ..... H04M 1/00; H04M 1/04; H04M 1/06;  
H04M 1/11; H04B 1/3877; H04B 1/3888;  
F16M 11/04; F16M 11/041; B60R 11/02;  
B60R 11/0241; B60R 11/0258; B60R  
11/0252; A45F 5/021; A45F 2005/025  
See application file for complete search history.

FIG. 1 is a perspective view taken from the front, top, and  
left side of a cell phone holder in accordance with my new  
design in a first configuration for use.

FIG. 2 is a perspective view taken from the front, top, and  
left side of the cell phone holder of FIG. 1 in a second  
configuration for use, showing the right side extended.

FIG. 3 is a perspective view taken from the rear, top, and left  
side of the cell phone holder of FIG. 1 in the first configu-  
ration.

FIG. 4 is a perspective view taken from the rear, top, and left  
side of the cell phone holder of FIG. 1 in the second  
configuration.

FIG. 5 is a front view of the cell phone holder of FIG. 1 in  
the second configuration.

FIG. 6 is a rear view of the cell phone holder of FIG. 1 in  
the second configuration.

FIG. 7 is a left side elevational view of the cell phone holder  
of FIG. 1 in the first configuration.

FIG. 8 is a right side elevational view of the cell phone  
holder of FIG. 1 in the first configuration.

FIG. 9 is a top view of the cell phone holder of FIG. 1 in the  
second configuration; and,

FIG. 10 is a bottom view of the cell phone holder of FIG. 1  
in the second configuration.

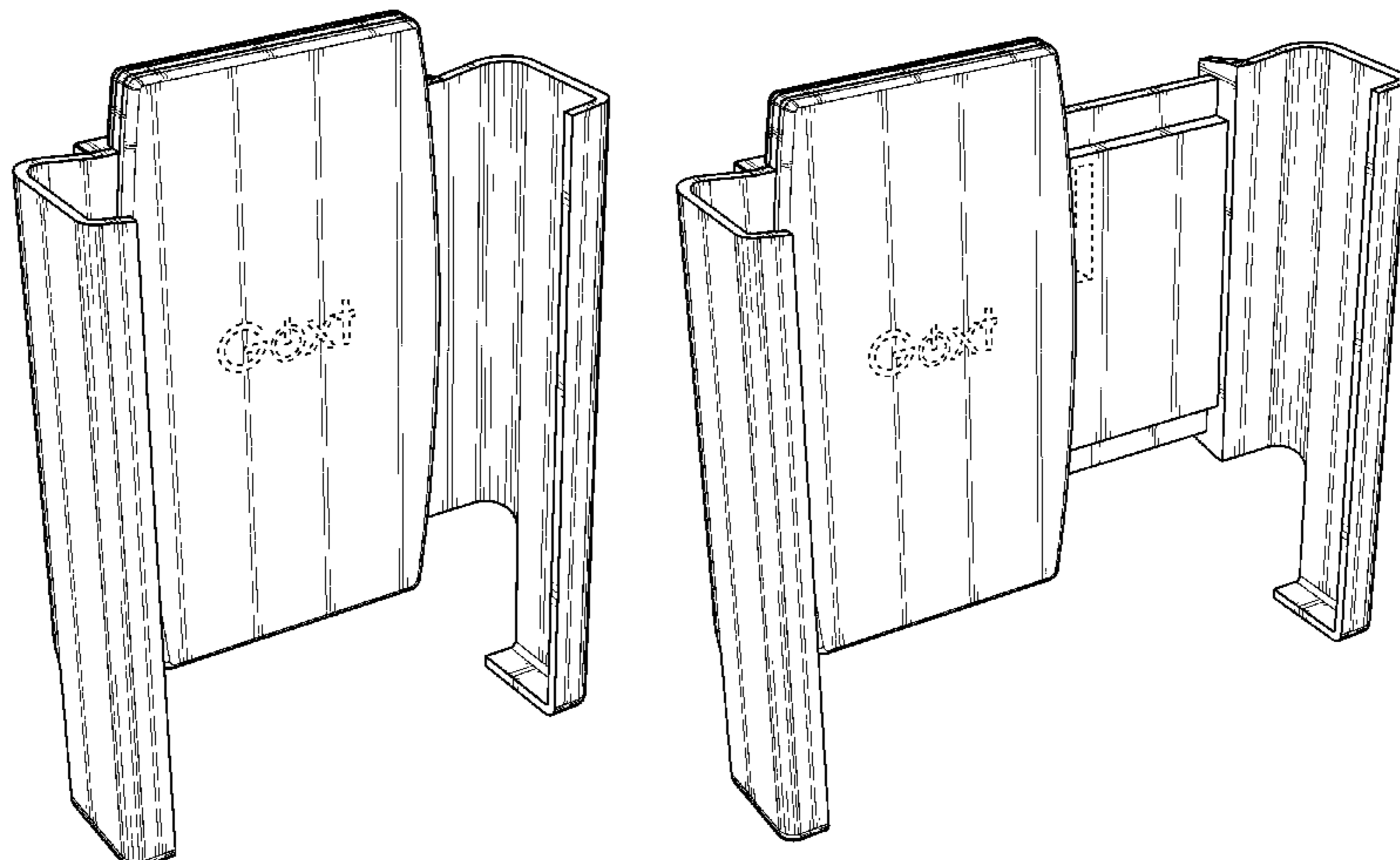
The broken lines shown depict portions of the cell phone  
holder that and form no part of the claimed design.

(56) **References Cited**

U.S. PATENT DOCUMENTS

4,602,761 A \* 7/1986 Carter ..... B60R 11/0205  
248/207  
5,305,381 A \* 4/1994 Wang ..... B60R 11/0241  
379/426

**1 Claim, 8 Drawing Sheets**



(56)

References Cited

U.S. PATENT DOCUMENTS

D693,892 S *	11/2013	Bentley .....	D21/796	D749,549 S *	2/2016	Wengreen .....	D14/238
D710,340 S *	8/2014	Wengreen .....	D14/238.1	D753,126 S *	4/2016	Alesi .....	D14/447
D710,363 S *	8/2014	Wengreen .....	D14/432	2006/0111076 A1 *	5/2006	Davie .....	B60R 11/0241 455/347
D711,867 S *	8/2014	Harris .....	D14/253	2012/0229300 A1 *	9/2012	Fu .....	B60R 11/02 340/901
D712,394 S *	9/2014	Booth .....	D14/253	2013/0146726 A1 *	6/2013	Bobrow .....	F16M 13/02 248/230.1
D720,759 S *	1/2015	Deng .....	D14/447	2015/0162948 A1 *	6/2015	Restivo .....	H04B 1/3888 455/575.8
D721,074 S *	1/2015	Harris .....	D14/253	2016/0121804 A1 *	5/2016	Robinson, II .....	B60R 11/02 248/231.81
D723,042 S *	2/2015	Lee .....	D14/447				
D734,305 S *	7/2015	Wengreen .....	D14/238				

\* cited by examiner

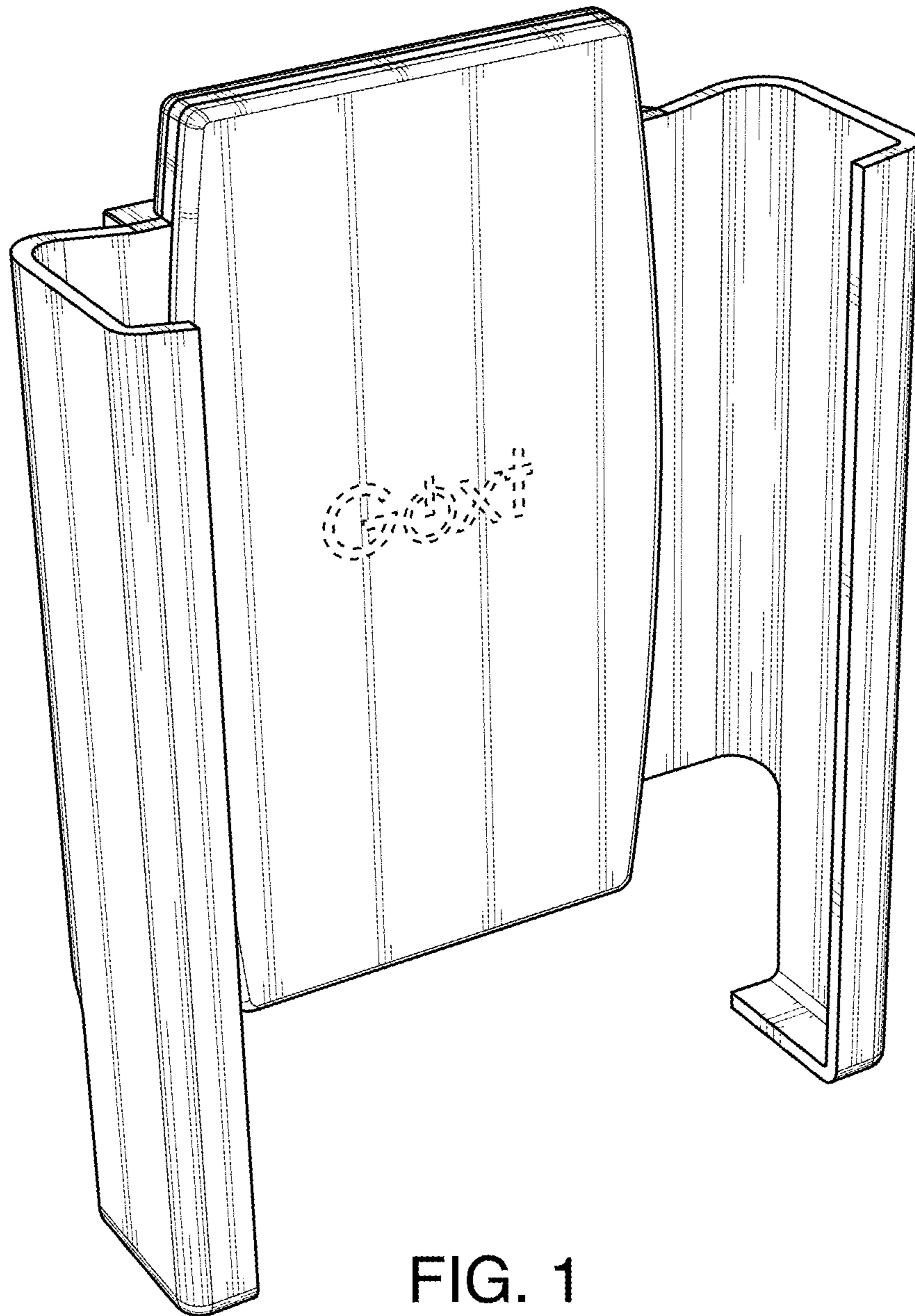


FIG. 1

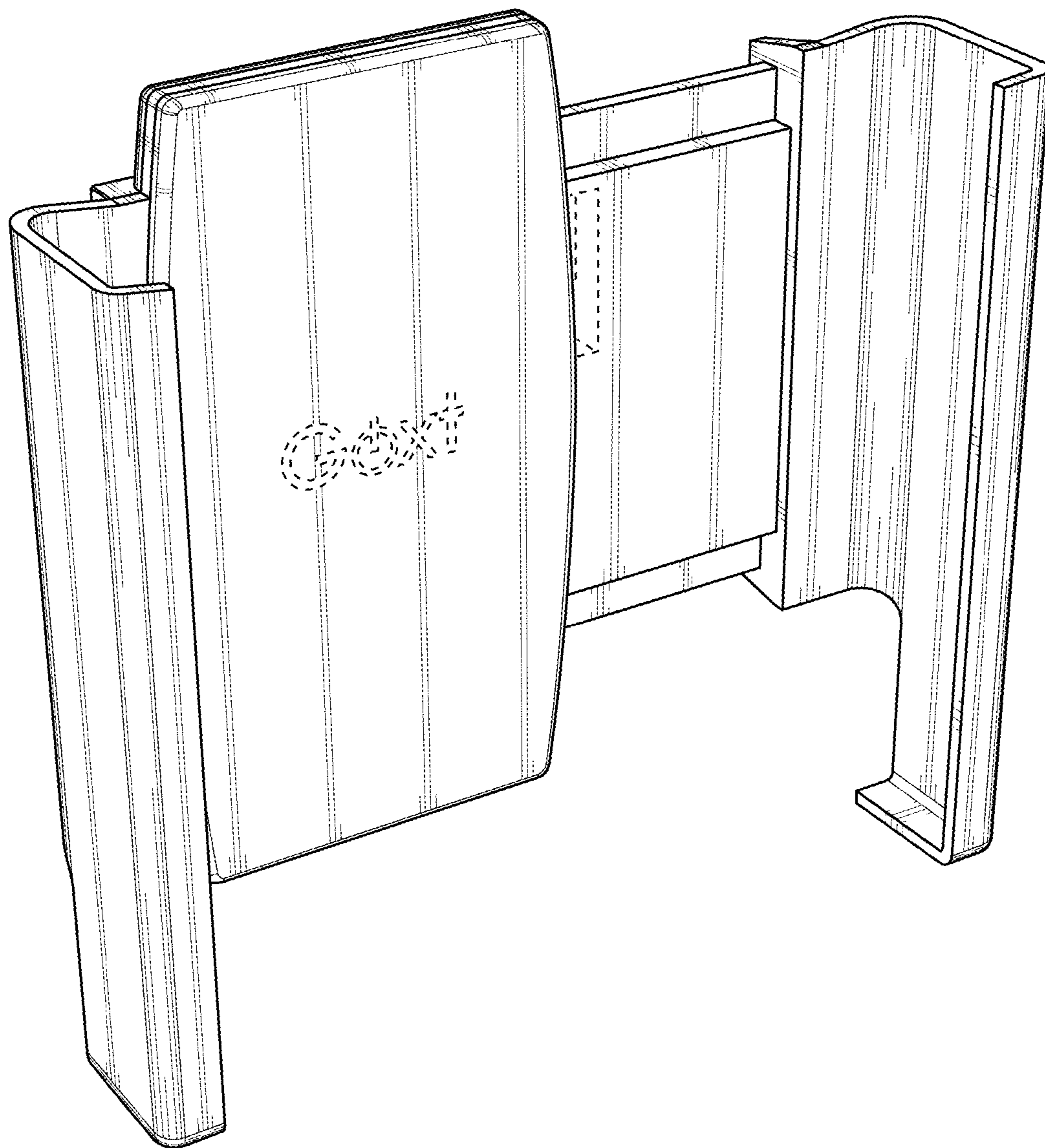


FIG. 2

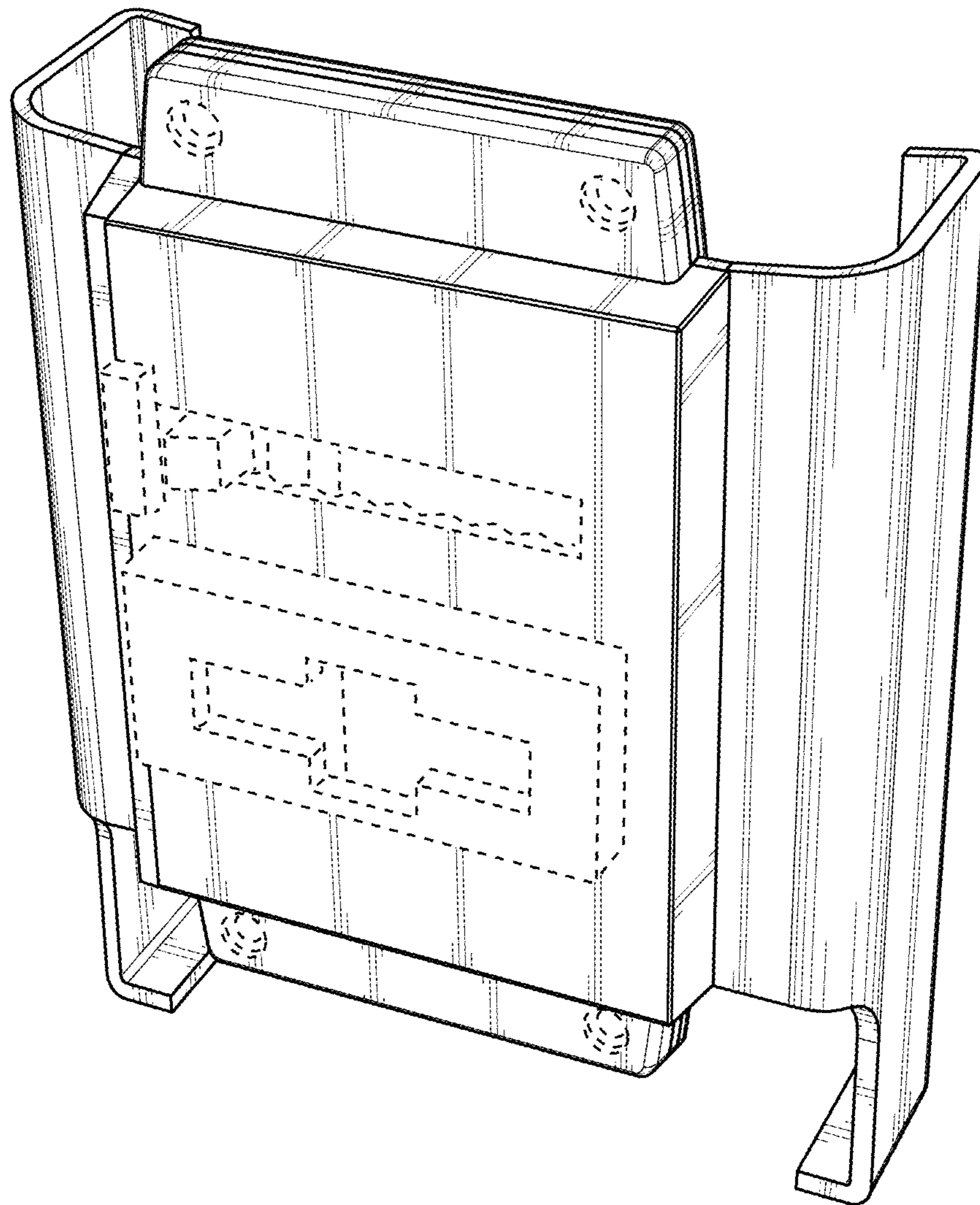


FIG. 3

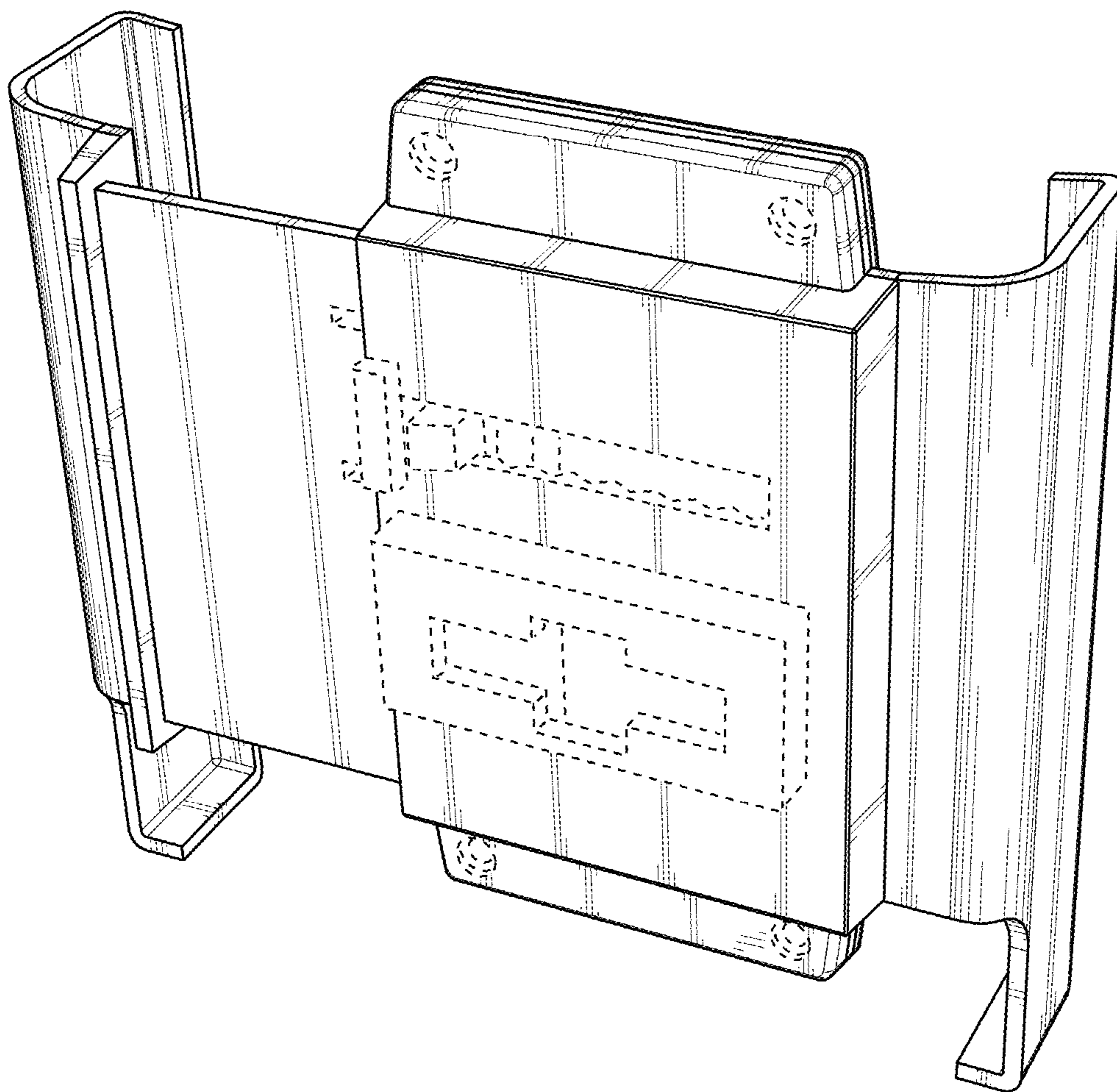


FIG. 4

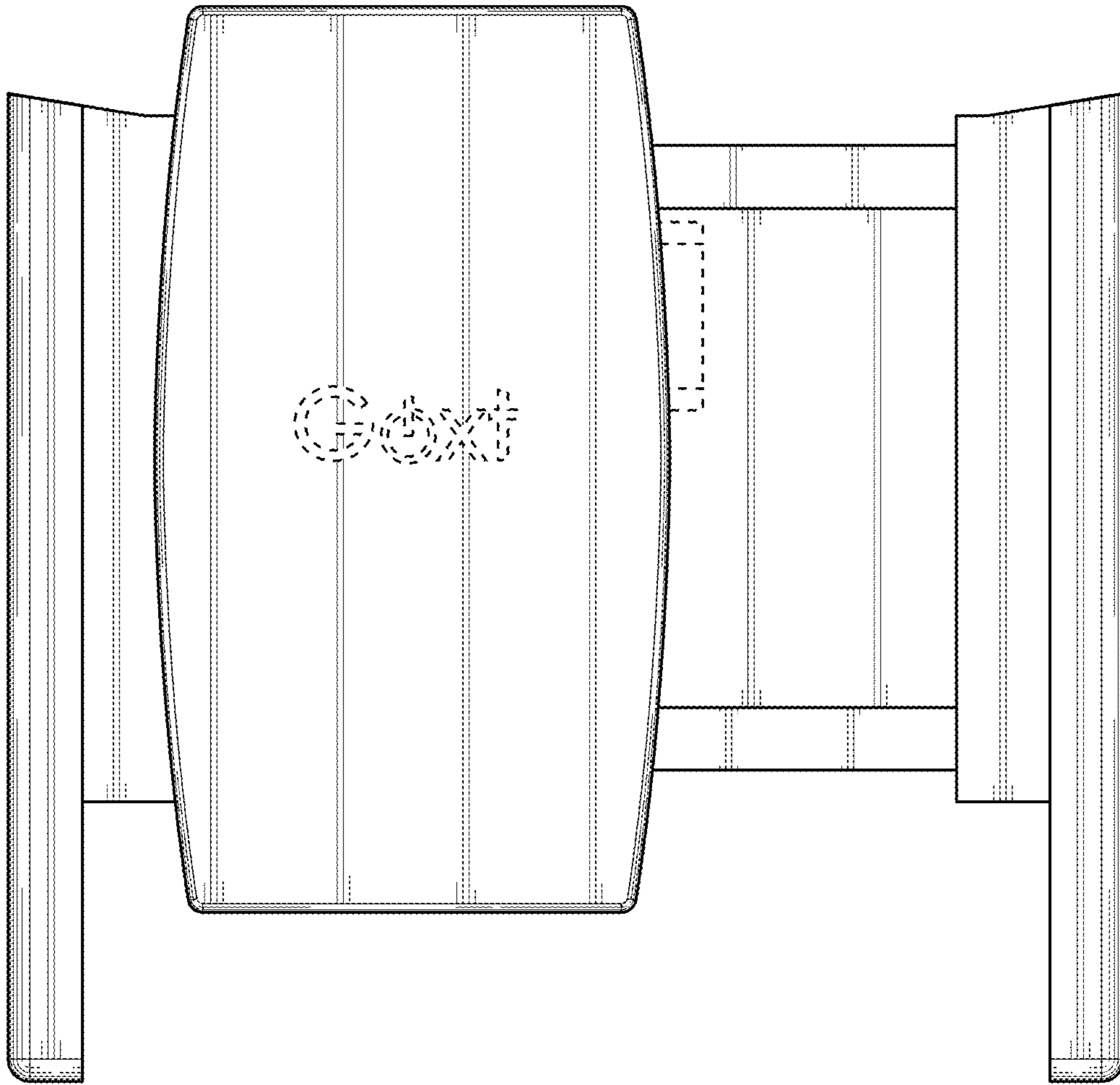


FIG. 5

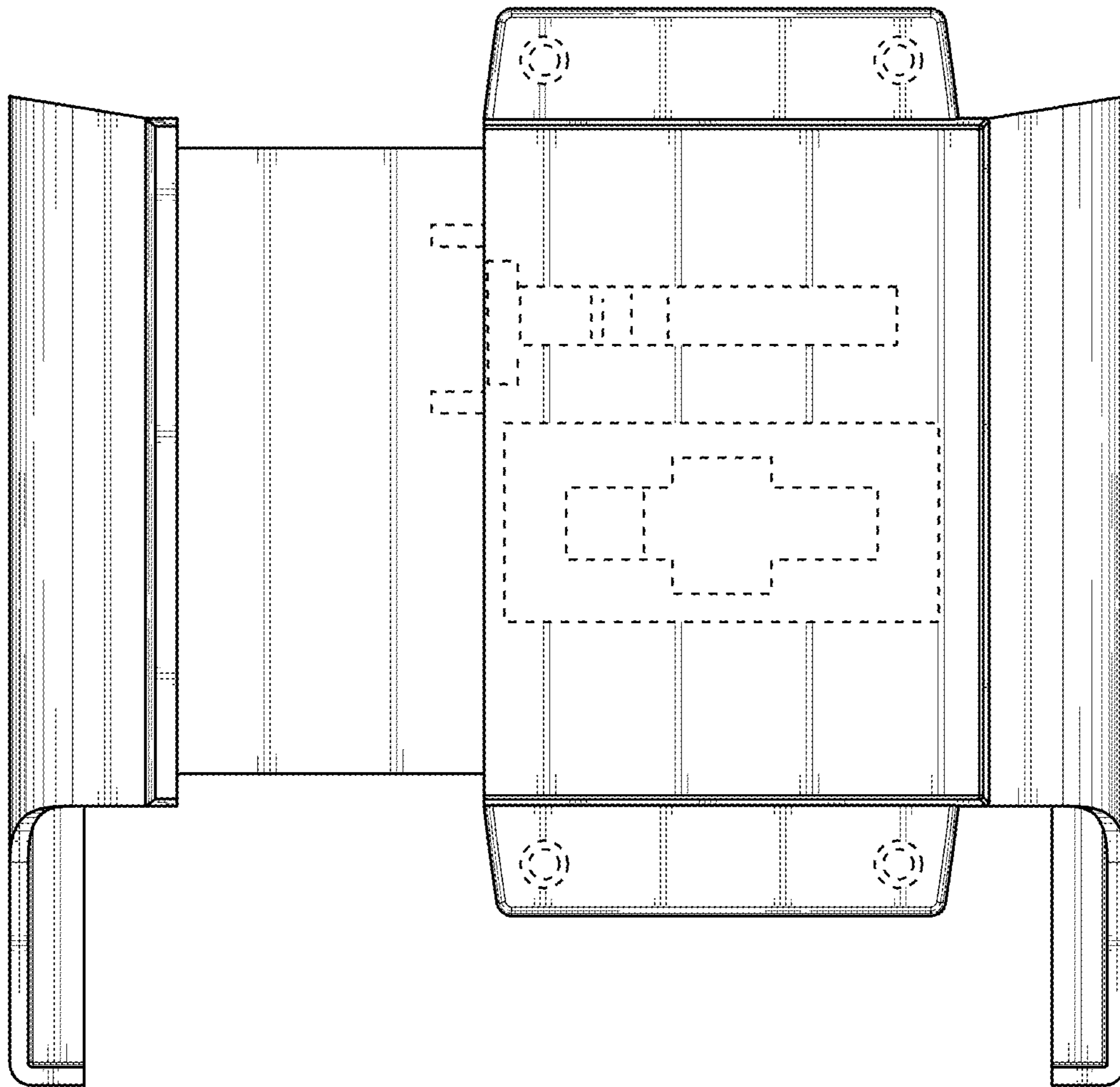


FIG. 6



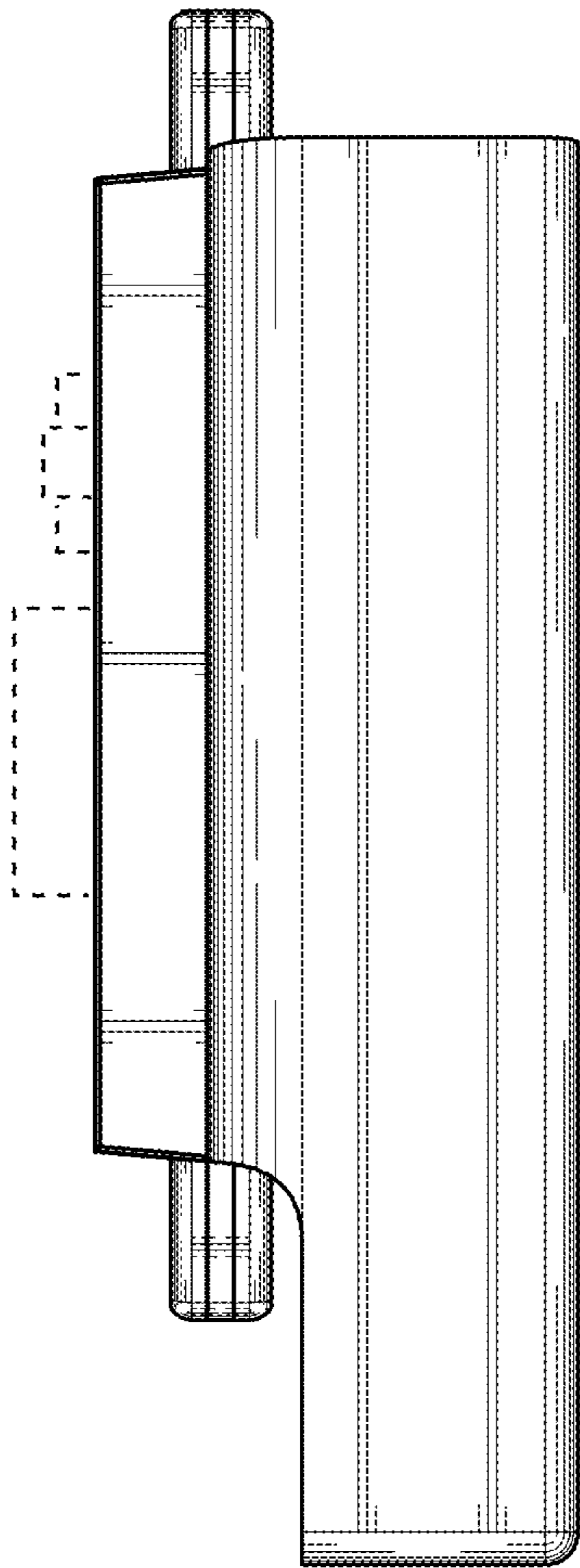


FIG. 7

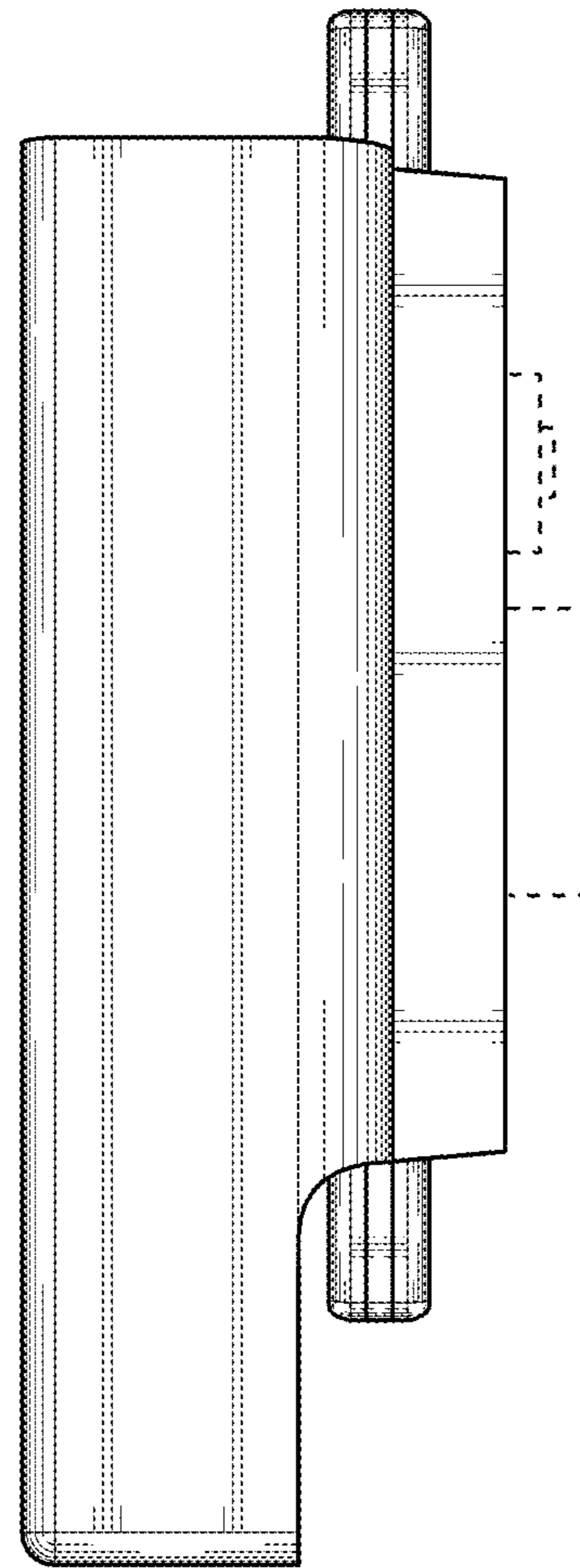


FIG. 8

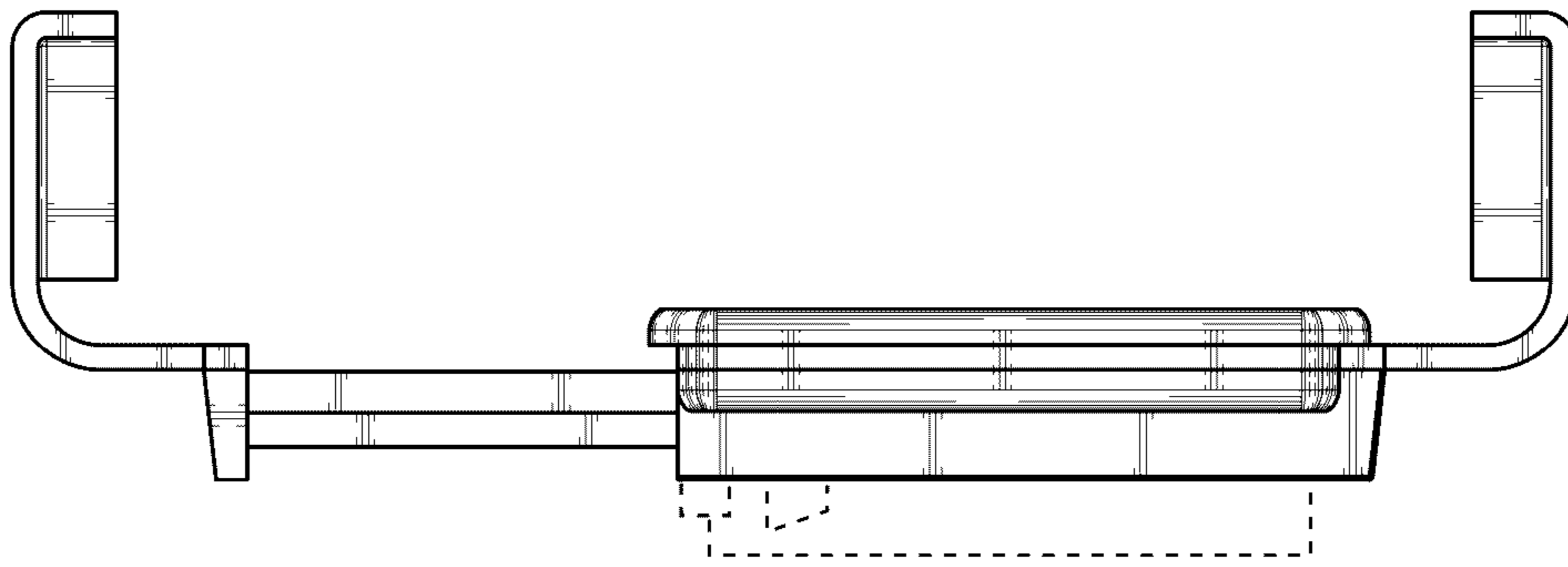


FIG. 9

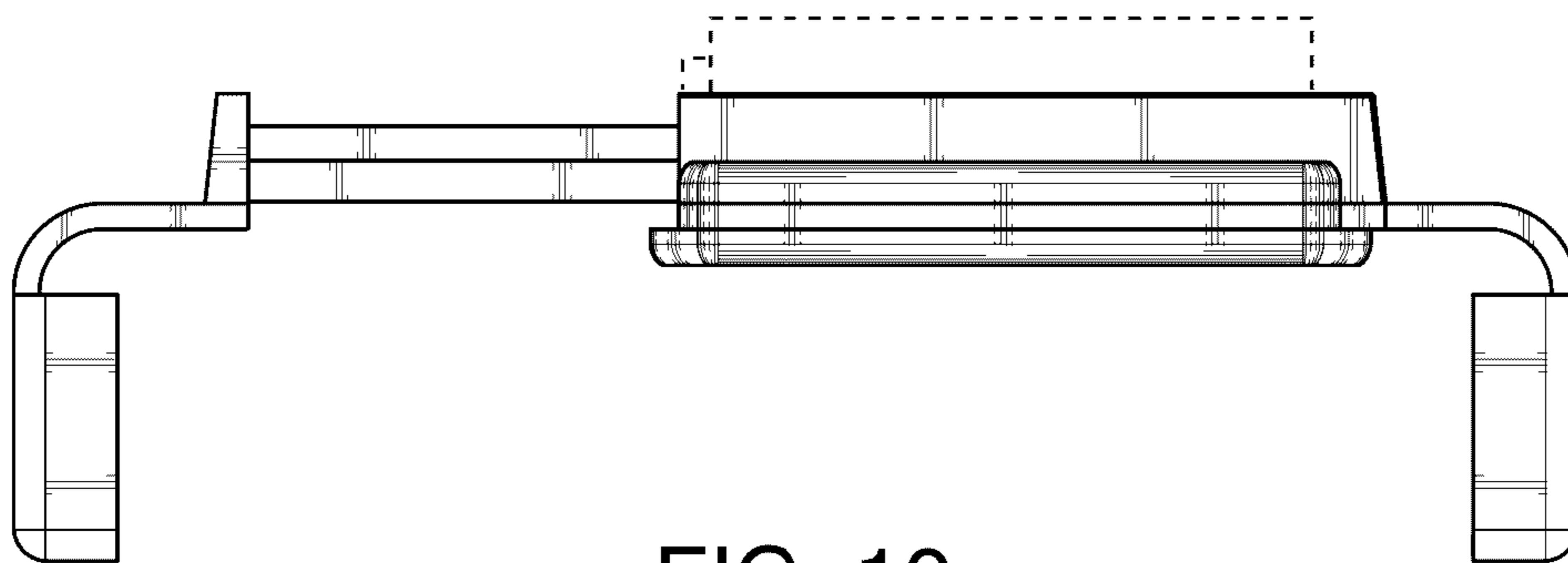


FIG. 10