



US00D772216S

(12) **United States Design Patent** (10) **Patent No.:** **US D772,216 S**
Lau (45) **Date of Patent:** **** Nov. 22, 2016**

(54) **STAND FOR SMARTPHONE AND TABLETS**
(71) Applicant: **Kensonix Limited**, Kowloon Bay (HK)
(72) Inventor: **Chi Fai Lau**, Kowloon Bay (HK)
(73) Assignee: **KENSONIX LIMITED**, Kowloon Bay (HK)

D642,519 S * 8/2011 Woo D13/108
D643,430 S * 8/2011 Nuovo D14/434
D646,268 S * 10/2011 DeLorenzo D14/253
D674,381 S * 1/2013 Ma D14/253
D713,399 S * 9/2014 Green D14/253
D729,248 S * 5/2015 Porter D14/434
D741,866 S * 10/2015 Ballout D14/434
D743,924 S * 11/2015 Hillenmayer D14/142
2009/0075693 A1 * 3/2009 So H04M 1/04
455/556.1

(**) Term: **14 Years**

* cited by examiner

(21) Appl. No.: **29/513,710**

Primary Examiner — Susan Bennett Hattan

(22) Filed: **Jan. 5, 2015**

Assistant Examiner — Janice Hallmark

(51) **LOC (10) Cl.** **14-03**

(74) *Attorney, Agent, or Firm* — Hamre, Schumann,
Mueller & Larson, P.C.

(52) **U.S. Cl.**

USPC **D14/253**; D14/447; D14/434; D13/108

(58) **Field of Classification Search**

USPC D14/253, 251, 252, 447, 451, 452, 440,
D14/434, 458, 432, 439, 457, 460, 238.1,
D14/140, 142, 149, 217, 148, 140.8, 140.11,
D14/209.1, 151, 140.9, 250, 238; D13/107,
D13/108; D12/415, 223, 114, 420, 417,
D12/407, 177; D3/218; D16/242–245, 250,
D16/237, 203, 214, 219; D6/675, 672, 673,
D6/675.4, 553, 676, 310, 406.3, 406.4,
D6/406.5, 406.6, 407, 567, 300, 682.3;
248/459, 460
CPC B60R 2011/0008; B60R 11/02; B60R
11/0241; B60R 11/0258; B60R 11/0252;
B60R 2011/0294; F16M 11/00; F16M 11/04;
F16M 11/041; F16M 11/02; F16M 11/06;
F16M 13/00; H04M 1/02; H04M 1/04;
H04M 1/11; H04M 1/12; A47F 7/022;
B62J 11/00; H05K 7/00; G03B 17/56

See application file for complete search history.

(57) **CLAIM**

The ornamental design for a stand for smartphone and tablets, as shown and described.

DESCRIPTION

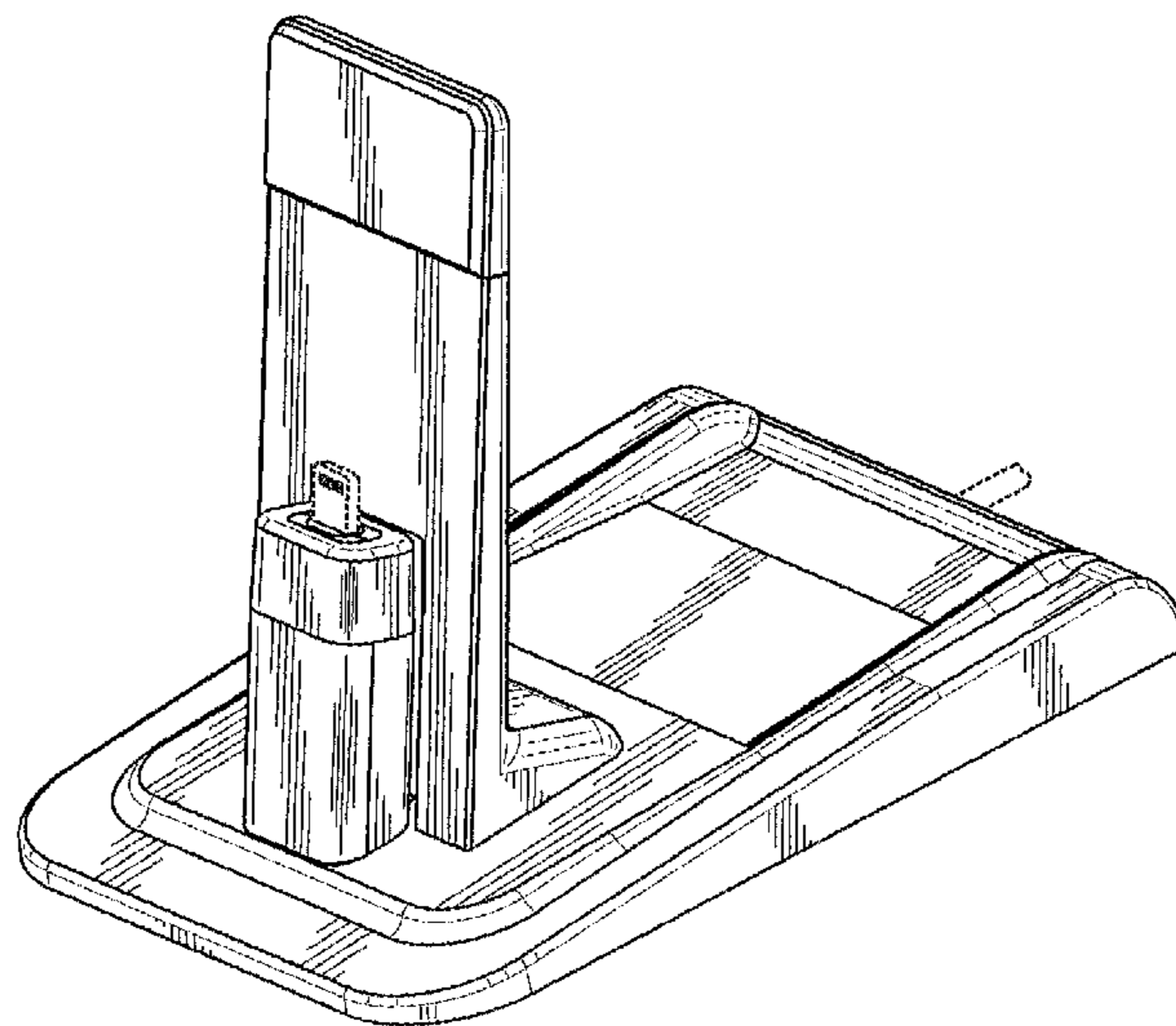
FIG. 1 is a perspective view of the first embodiment of a stand for smartphone and tablets;
FIG. 2 is a front view of the stand of FIG. 1;
FIG. 3 is a back view of the stand of FIG. 1;
FIG. 4 is a left side view of the stand of FIG. 1;
FIG. 5 is a top view of the stand of FIG. 1;
FIG. 6 is a perspective view of the stand of FIG. 1 showing a smartphone and a cable indicating an environmental use of the stand;
FIG. 7 is a left side view of a further embodiment of the stand;
FIG. 8 is a top view of the stand of FIG. 7;
FIG. 9 is a front view of the stand of FIG. 7; and,
FIG. 10 is a back view of the stand of FIG. 7.
Views of the bottom of the stand are omitted as the bottom is devoid of surface ornamentation.
The broken lines in the drawings depict environmental subject matter only and form no part of the claimed design.

(56) **References Cited**

U.S. PATENT DOCUMENTS

D494,182 S * 8/2004 Singer D14/447
D554,116 S * 10/2007 Liu D13/108

1 Claim, 6 Drawing Sheets



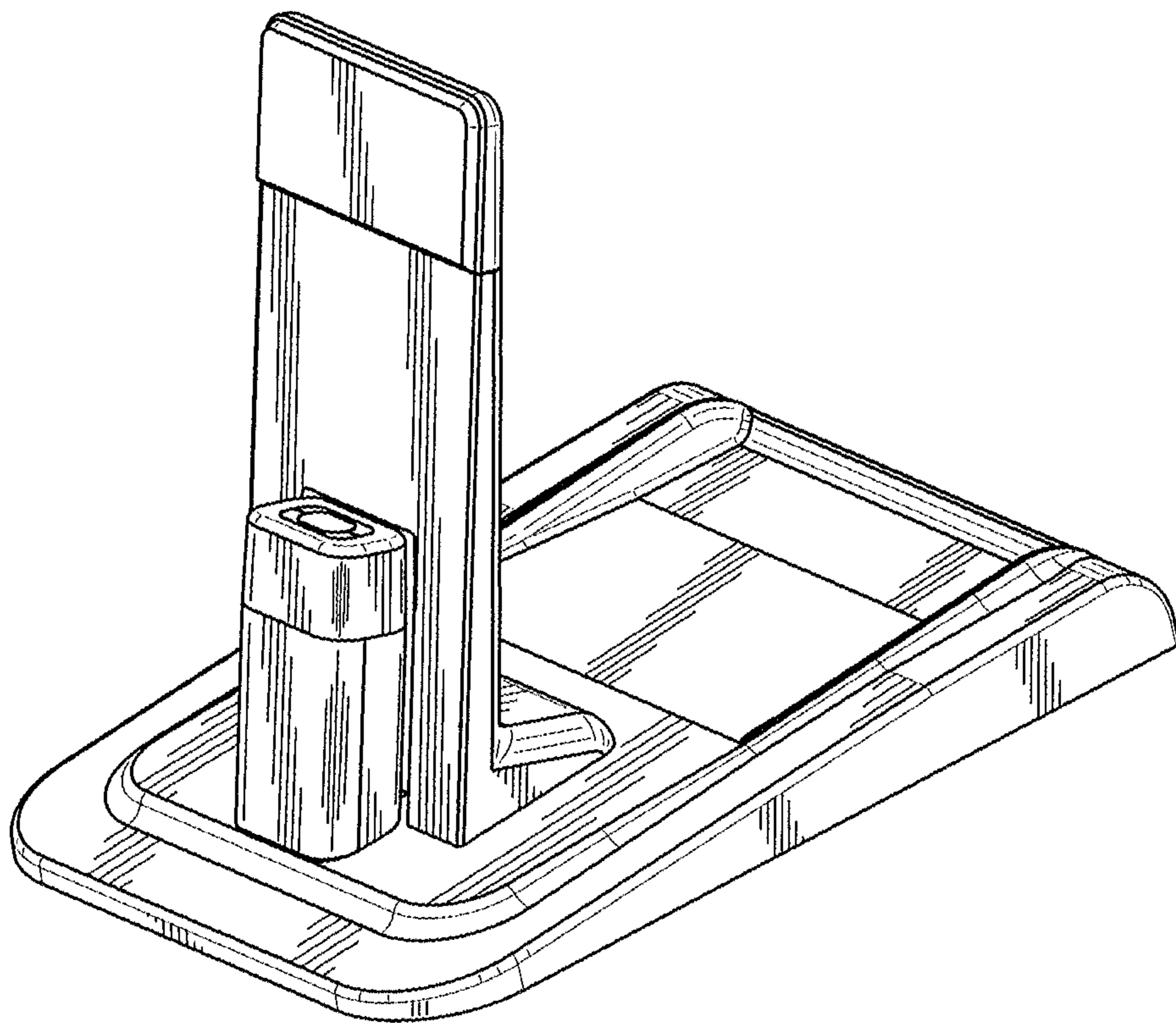


FIG. 1

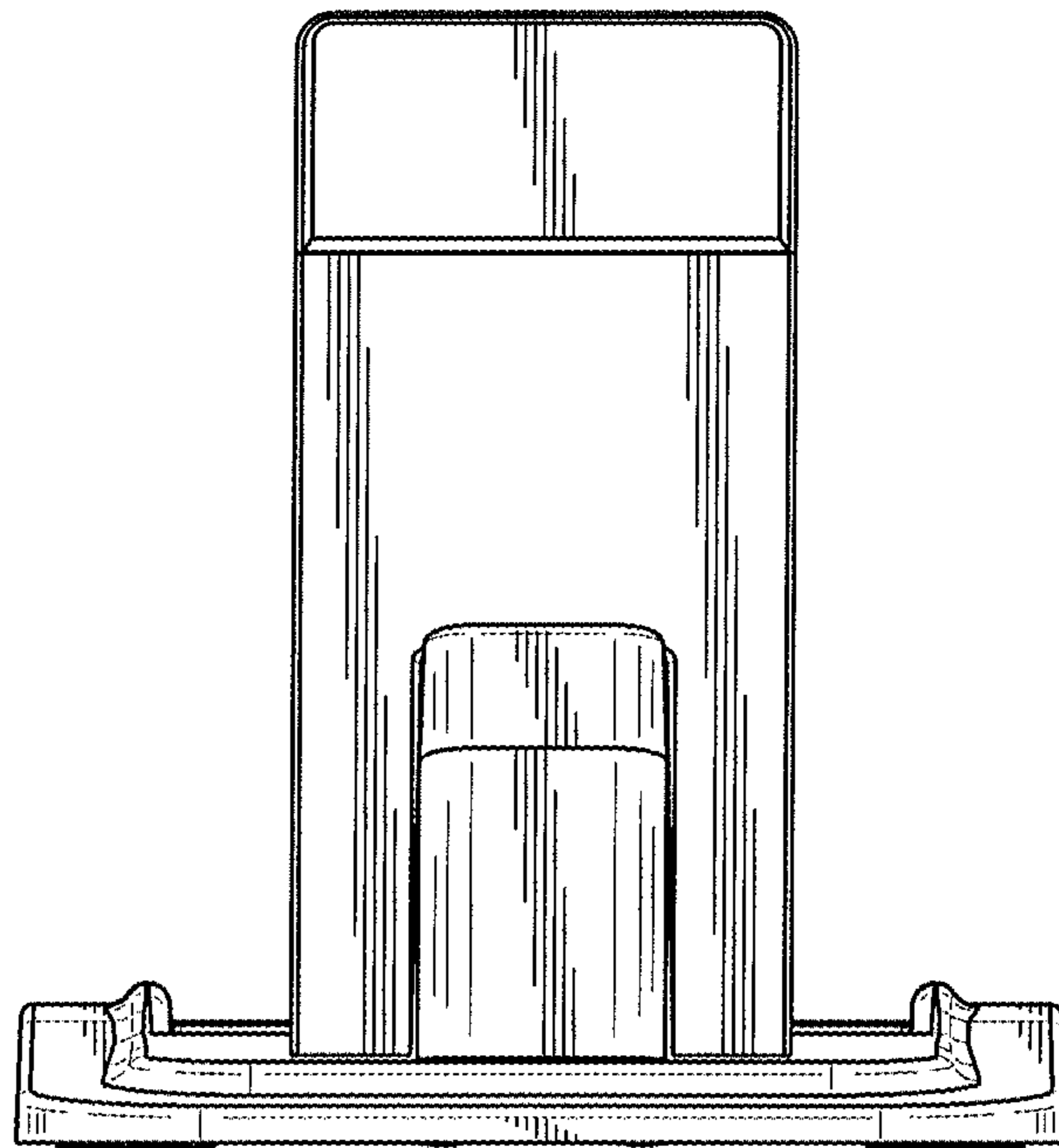


FIG. 2

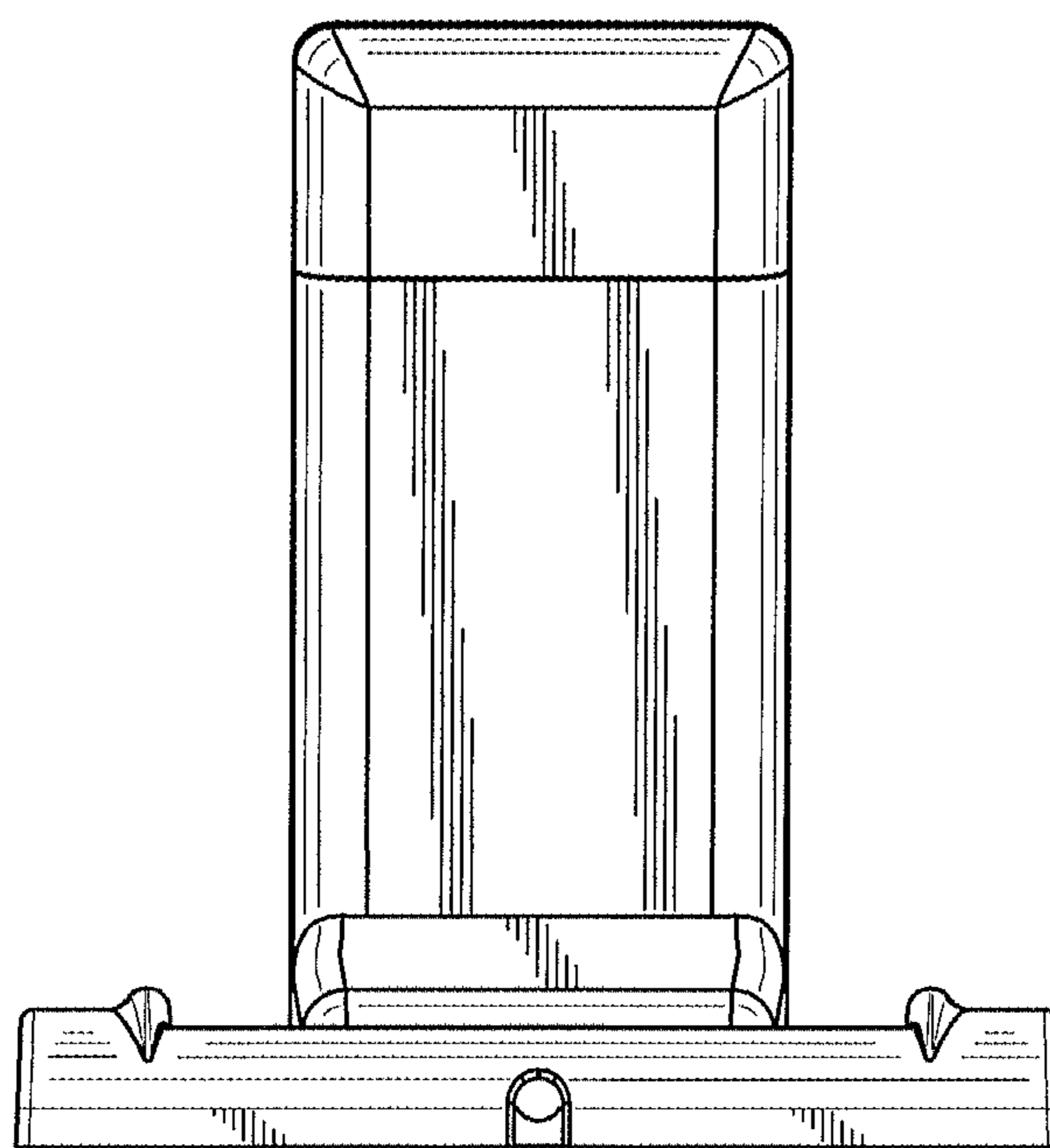


FIG. 3

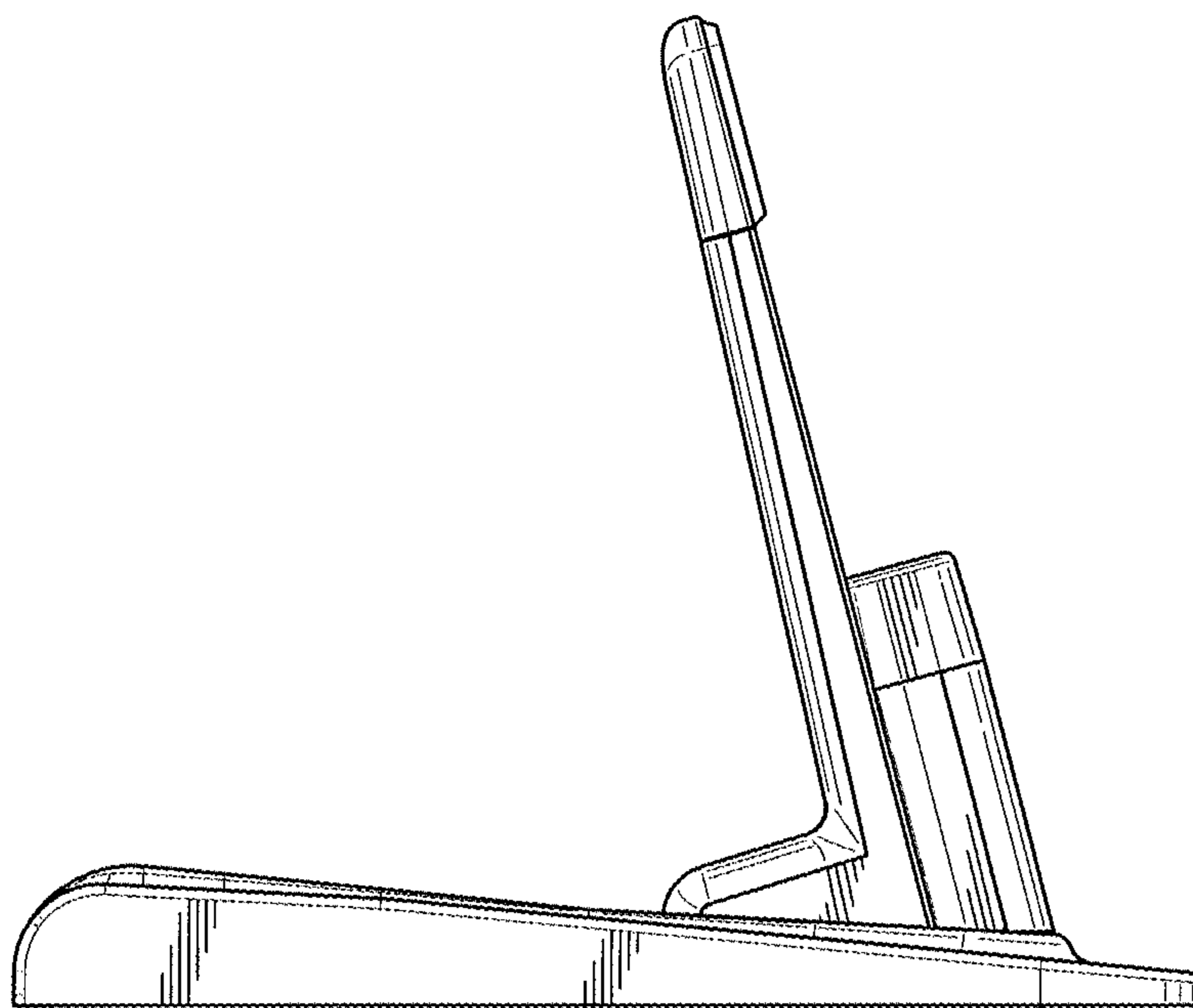


FIG. 4

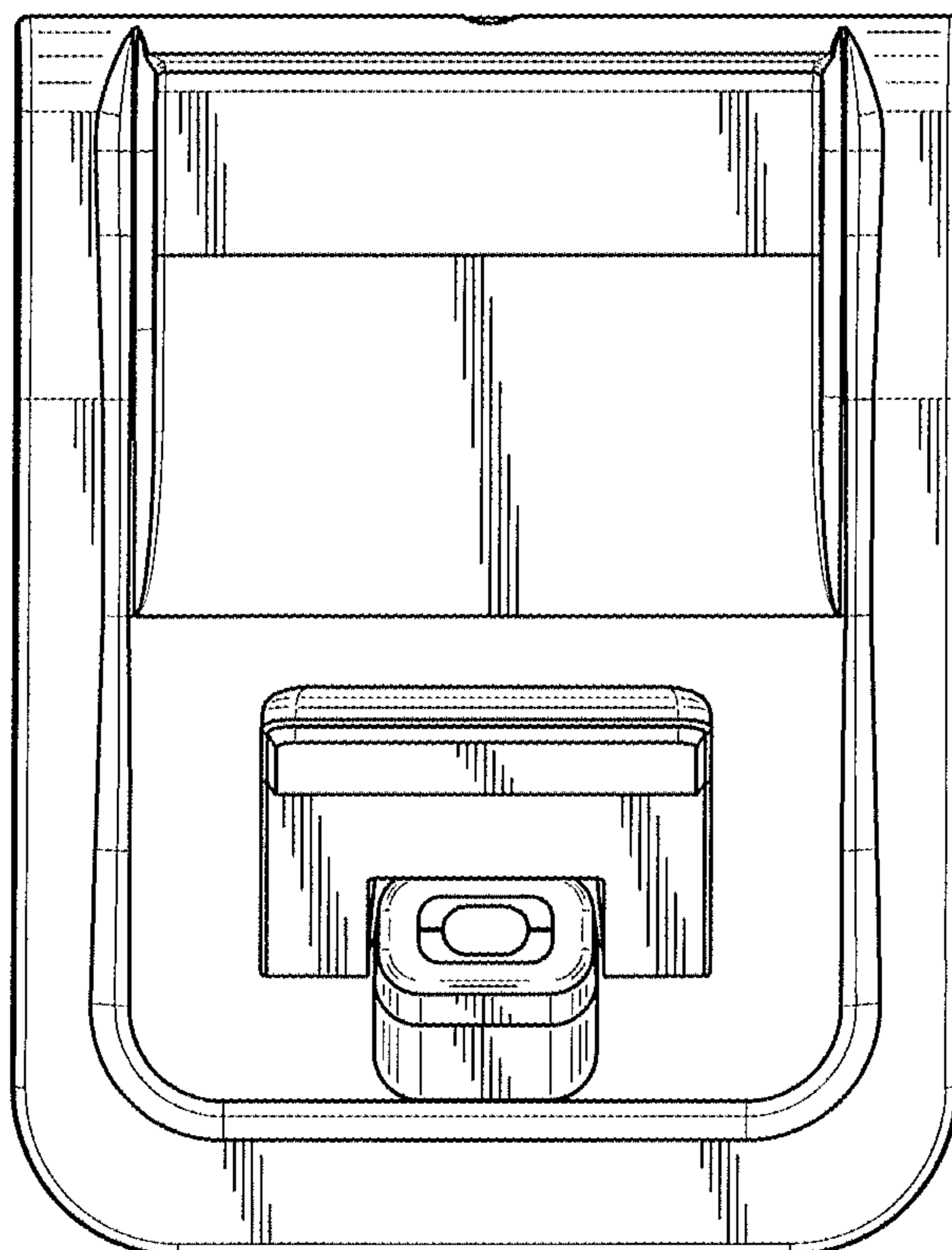


FIG. 5

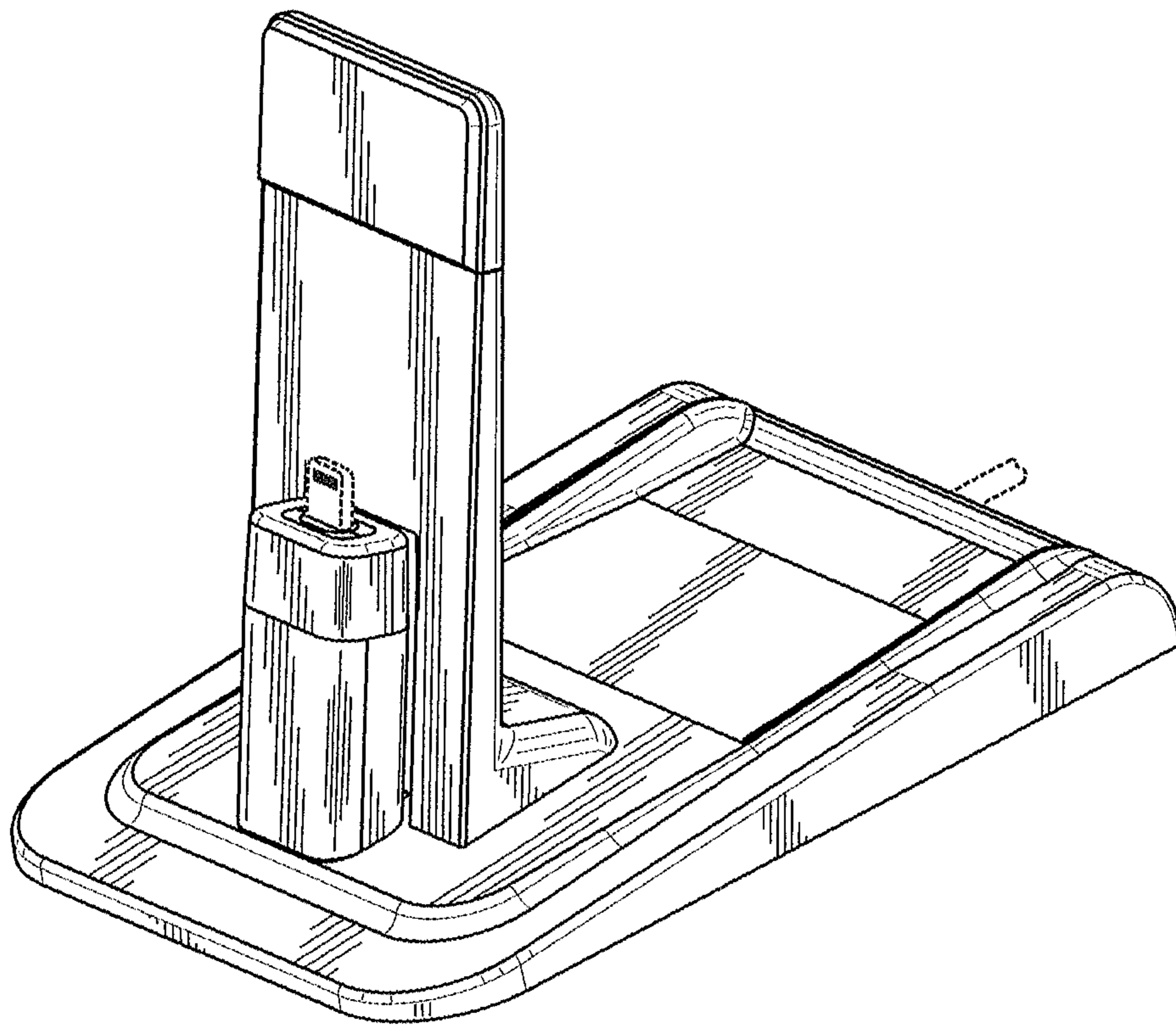


FIG. 6

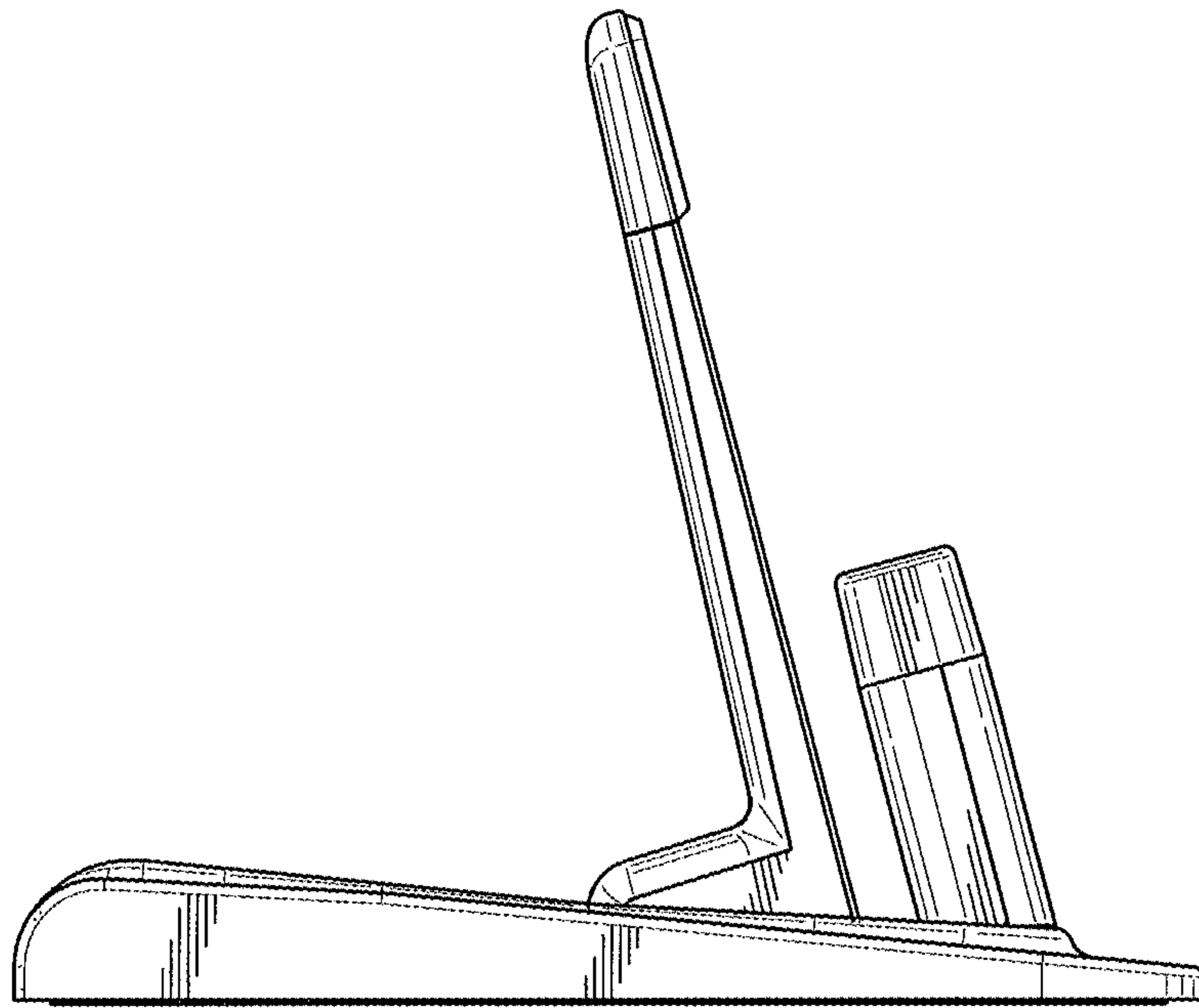


FIG. 7

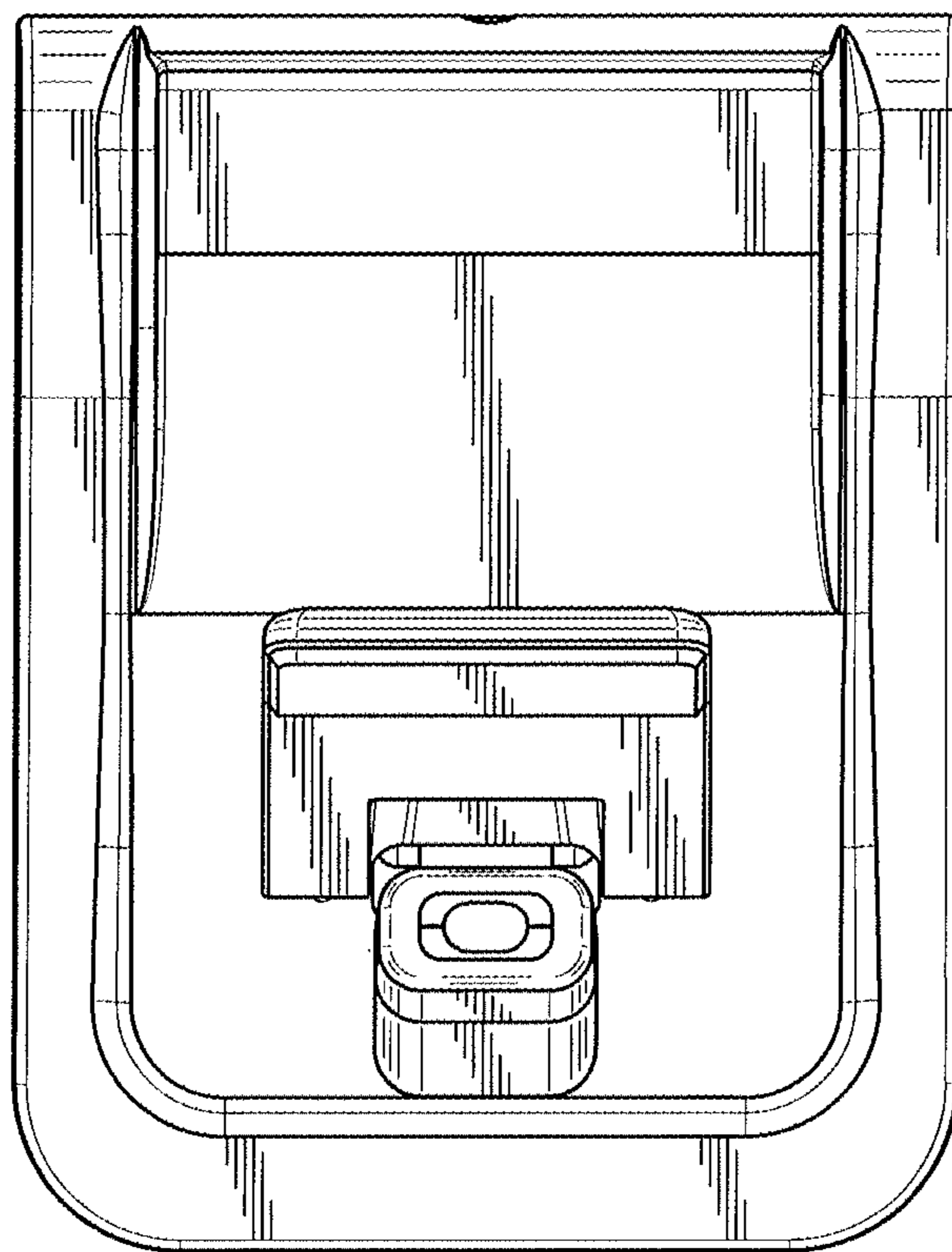


FIG. 8

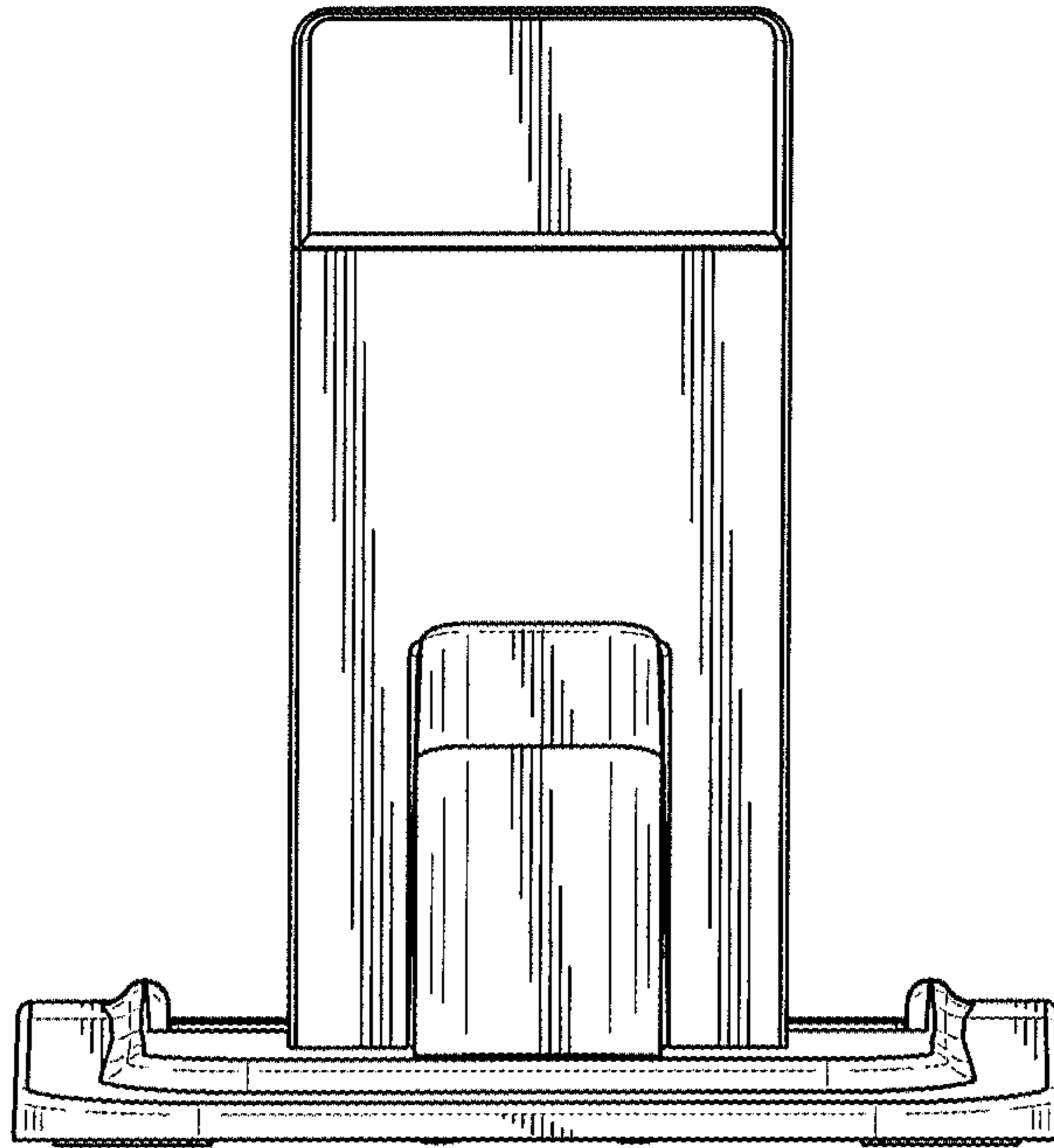


FIG. 9

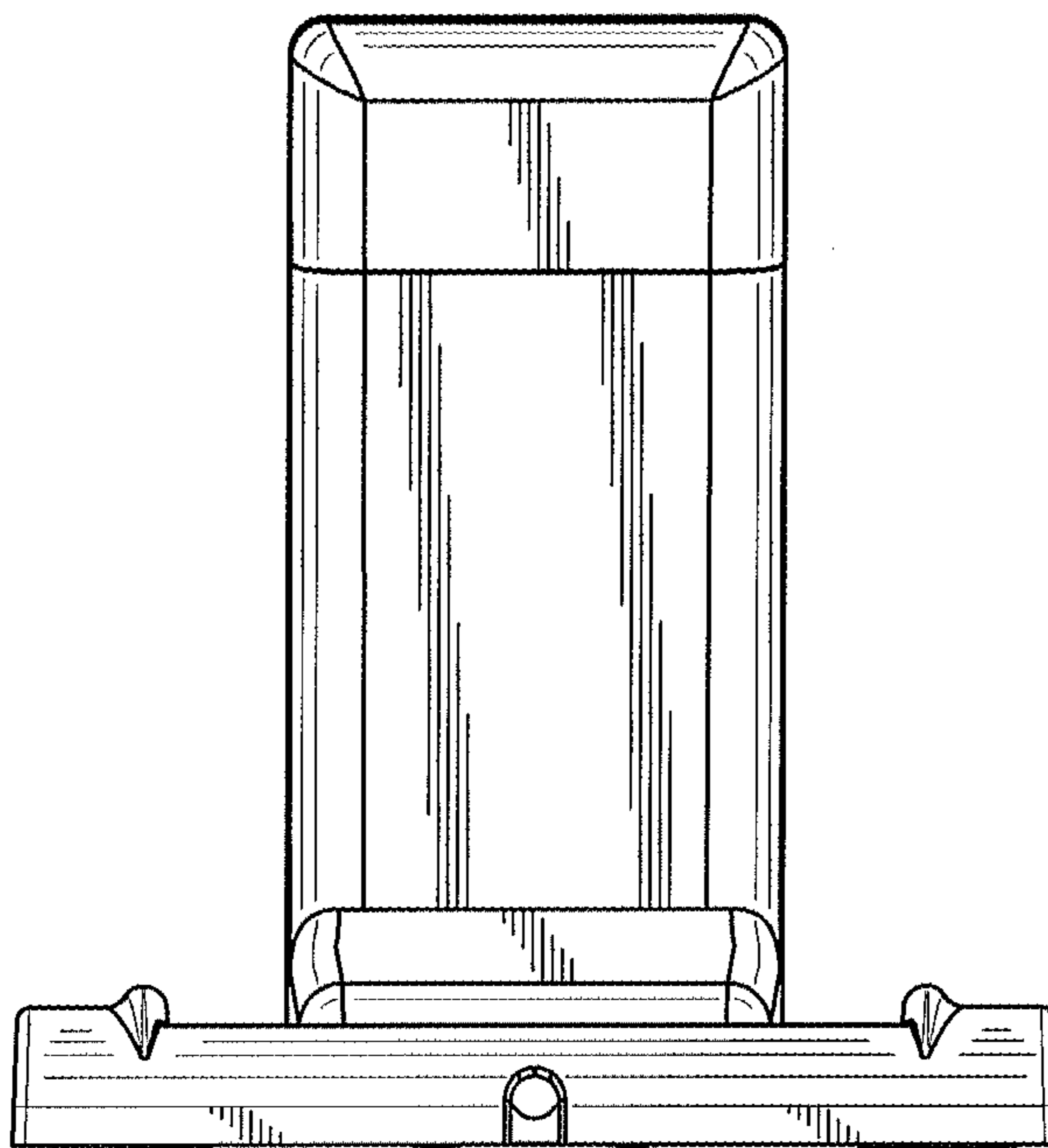


FIG. 10

UNITED STATES PATENT AND TRADEMARK OFFICE
CERTIFICATE OF CORRECTION

PATENT NO. : D772,216 S
APPLICATION NO. : 29/513710
DATED : November 22, 2016
INVENTOR(S) : Lau

Page 1 of 1

It is certified that error appears in the above-identified patent and that said Letters Patent is hereby corrected as shown below:

On the Title Page

Item (57), under "Description", FIG. 6: delete "smartphone and a cable" and insert --phone lead--.

Signed and Sealed this
Eleventh Day of April, 2017



Michelle K. Lee
Director of the United States Patent and Trademark Office