



US00D772215S

(12) **United States Design Patent** (10) **Patent No.:** **US D772,215 S**  
**Mulumudi et al.** (45) **Date of Patent:** **\*\* Nov. 22, 2016**

(54) **ELECTRONIC DEVICE CASE WITH STETHOSCOPE**

(71) Applicant: **StratoScientific, Inc.**, Shoreline, WA (US)

(72) Inventors: **Suman K. Mulumudi**, Snohomish, WA (US); **Mahesh S. Mulumudi**, Snohomish, WA (US)

(73) Assignee: **StratoScientific, Inc.**, Shoreline, WA (US)

(\*\*) Term: **15 Years**

(21) Appl. No.: **29/544,019**

(22) Filed: **Oct. 29, 2015**

**Related U.S. Application Data**

(62) Division of application No. 29/469,889, filed on Oct. 15, 2013, now Pat. No. Des. 746,802.

(51) **LOC (10) Cl.** ..... **14-03**

(52) **U.S. Cl.**  
USPC ..... **D14/250; D24/134**

(58) **Field of Classification Search**  
USPC ..... D14/250–253, 440, 203.3–203.7, 217, D14/496, 248, 238.1, 240, 447, 215, 216, D14/221, 224; D3/201, 218, 269, 301, 273, D3/303; D13/103, 107–108; 220/4.02; 248/309.1; 361/679.56; 379/426, 379/433.11, 455; 455/575.1, 575.8; 190/100; 206/305, 320; 381/386, 396; 600/586; D24/133, 134  
CPC ..... A45C 2011/002; A45C 11/00; A45C 13/002; A45C 2011/003; H04M 1/0283; H04M 1/0202; A61B 5/00; A61B 5/6898; A61B 5/72; A61B 7/04  
See application file for complete search history.

(56) **References Cited**

**U.S. PATENT DOCUMENTS**

D214,002 S \* 4/1969 Machlup ..... D24/134  
D269,295 S \* 6/1983 Bloom ..... D24/134

(Continued)

**FOREIGN PATENT DOCUMENTS**

KR 10-2011-0047181 5/2011  
KR 10-2013-022141 3/2013

(Continued)

**OTHER PUBLICATIONS**

International Preliminary Report on Patentability dated Apr. 28, 2016, from related PCT application No. PCT/US2014/060493.

(Continued)

*Primary Examiner* — Sandra Snapp

*Assistant Examiner* — Holly E. Thurman

(74) *Attorney, Agent, or Firm* — Foley & Lardner LLP

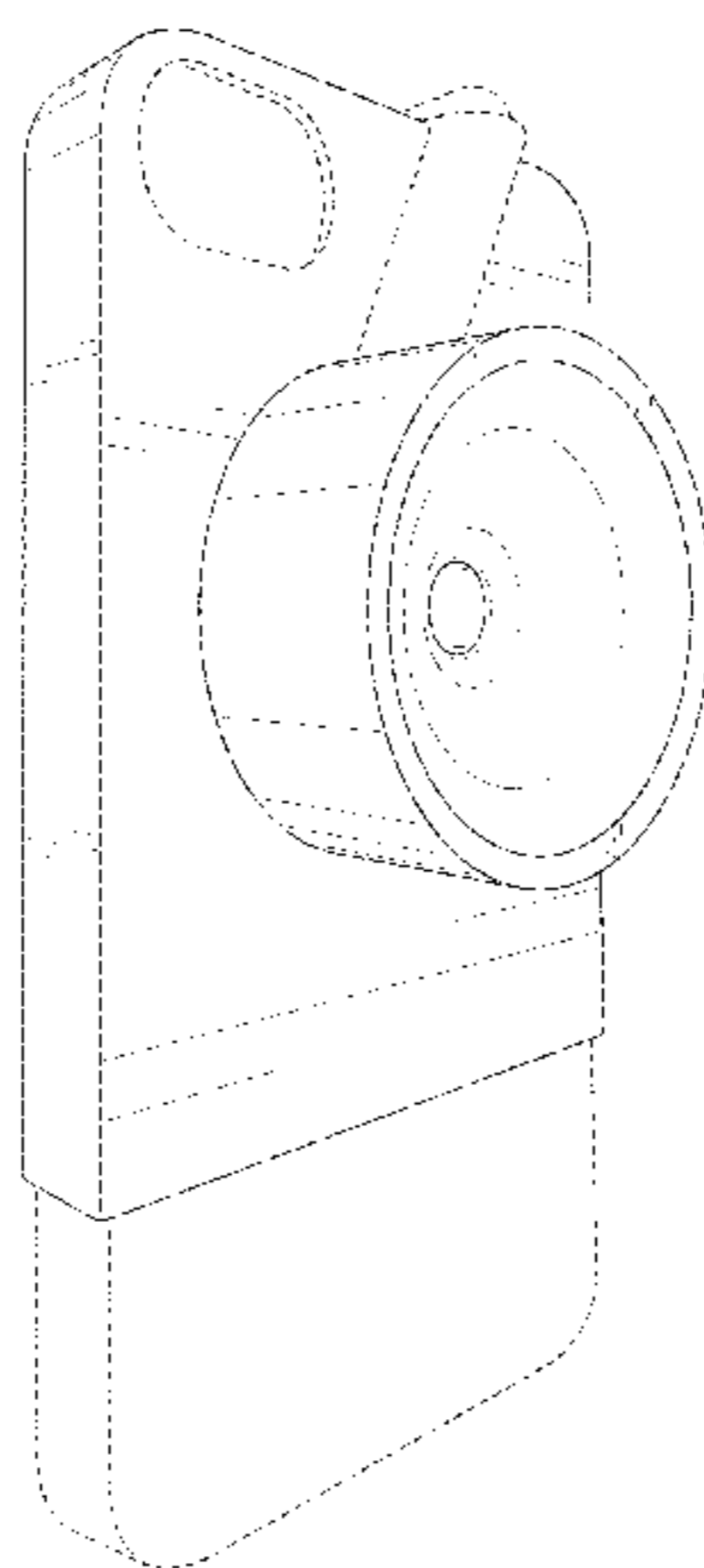
(57) **CLAIM**

The ornamental design for an electronic device case with stethoscope, as shown and described.

**DESCRIPTION**

FIG. 1 is a front perspective view of an electronic device case with stethoscope showing our new design, without the detachable diaphragm for clarity of disclosure;  
FIG. 2 is a front view thereof;  
FIG. 3 is a back view thereof;  
FIG. 4 is a left side view thereof;  
FIG. 5 is a right side view thereof;  
FIG. 6 is a top view thereof;  
FIG. 7 is a bottom view thereof;  
FIG. 8 is an exploded front perspective view thereof, showing the detachable diaphragm separated for clarity of disclosure; and,  
FIG. 9 is another front perspective view thereof, showing the detachable diaphragm in an attached state.  
The broken lines depict unclaimed portions of the case, acoustic collector, and an unclaimed electronic device that form no part of the claimed design.

**1 Claim, 5 Drawing Sheets**



(56)

References Cited

U.S. PATENT DOCUMENTS

4,802,550 A 2/1989 Poore  
 4,893,143 A \* 1/1990 Sheng-Huei ..... G03B 17/12  
 359/827  
 5,252,787 A \* 10/1993 Moore ..... A61B 7/02  
 181/131  
 5,357,972 A \* 10/1994 Norlien ..... A61B 5/097  
 600/538  
 D353,196 S \* 12/1994 Savage ..... D24/134  
 6,210,344 B1 4/2001 Perin et al.  
 6,510,918 B2 \* 1/2003 Bates ..... B43K 29/18  
 181/126  
 6,757,392 B1 6/2004 Granzotto et al.  
 6,790,178 B1 9/2004 Mault et al.  
 7,115,102 B2 10/2006 Abbruscato  
 D591,730 S \* 5/2009 Pantaleone ..... D14/216  
 7,735,598 B2 \* 6/2010 Nakamura ..... A61B 7/026  
 181/131  
 8,200,277 B2 6/2012 Lee  
 D669,587 S 10/2012 Mayer  
 8,287,283 B2 \* 10/2012 Lecat ..... 434/266  
 D676,034 S 2/2013 Stuart  
 D678,869 S 3/2013 Diebel  
 D685,356 S 7/2013 Diebel  
 D686,605 S 7/2013 Palmeri  
 8,759,675 B2 \* 6/2014 Rajeswaran ..... G06F 1/1626  
 174/50  
 8,863,415 B2 \* 10/2014 Muraco ..... A61B 7/02  
 24/115 R  
 D718,760 S 12/2014 Davis et al.  
 8,939,251 B2 \* 1/2015 Ting ..... A61B 7/02  
 181/131  
 D726,704 S 4/2015 Park et al.  
 9,042,568 B2 \* 5/2015 Poplaw ..... H04M 1/026  
 381/151  
 D740,267 S \* 10/2015 Diebel ..... D14/250  
 D744,472 S \* 12/2015 Lerenthal ..... D14/250  
 D744,993 S \* 12/2015 Diebel ..... D14/250  
 D746,802 S 1/2016 Mulumudi et al.  
 D746,804 S \* 1/2016 Nousiainen ..... D14/250  
 9,243,739 B2 \* 1/2016 Peters ..... F16M 13/00  
 D749,554 S \* 2/2016 Park ..... D14/250  
 2001/0030077 A1 10/2001 Watson  
 2004/0109571 A1 6/2004 Yoshimine  
 2004/0173401 A1 9/2004 Kurtz  
 2004/0220487 A1 11/2004 Vyshedskiy et al.  
 2005/0157887 A1 7/2005 Kim  
 2008/0146276 A1 6/2008 Lee  
 2009/0213264 A1 8/2009 Kim  
 2010/0232615 A1 9/2010 Sorlander et al.  
 2011/0064236 A1 3/2011 Schubach  
 2011/0087135 A1 4/2011 Ferzli et al.  
 2012/0074006 A1 3/2012 Monaco et al.  
 2012/0190303 A1 7/2012 Wong  
 2012/0320340 A1 \* 12/2012 Coleman, III ..... A61B 3/14  
 351/208  
 2013/0116584 A1 5/2013 Kapoor  
 2013/0170686 A1 7/2013 Lester, Jr.  
 2013/0181584 A1 7/2013 Whitten et al.

2013/0206614 A1 8/2013 O'Neill et al.  
 2013/0301863 A1 11/2013 Weaver, III  
 2014/0005574 A1 1/2014 Ting  
 2014/0135080 A1 5/2014 Kimball et al.  
 2014/0163422 A1 6/2014 Poplaw  
 2015/0087926 A1 3/2015 Raz et al.

FOREIGN PATENT DOCUMENTS

KR 10-2013-0022141 3/2013  
 WO WO-2011/049293 A1 4/2011

OTHER PUBLICATIONS

US Notice of Allowance dated Apr. 4, 2016, from related U.S. Appl. No. 14/054,656.  
 U.S. Appl. No. 61/735,977, filed Dec. 11, 2012, Barry Poplaw.  
 iPhone Stethoscope Attachment by Jeff Thompson <http://www.thingiverse.com/thing:149028> dated Sep. 10, 2013, Retrieved Sep. 25, 2013.  
 iPhone Stethoscope Attachment Finished as shown in [http://www.jeffreythompson.org/blog/2011/12/15/iphone\\_stethoscope-attachment-finished](http://www.jeffreythompson.org/blog/2011/12/15/iphone_stethoscope-attachment-finished) dated Dec. 15, 2011, Retrieved Sep. 26, 2013.  
 My Babys Beat <http://www.mybabysbeat.com> dated Oct. 10, 2013.  
 Thinklabs Stethoscope App <http://www.thinklabsmedical.com/iphone-a-ipod-touch-app.html> dated Oct. 10, 2013.  
 Examiner's Report dated Oct. 18, 2014 for Canadian Application No. 156103.  
 Japanese Office Action Issued Jan. 6, 2015 for Japanese Design Application No. 2014-008230.  
 International Search Report and Written Opinion for PCT/US2014/060493 dated Jan. 15, 2015.  
 U.S. Office Action Mailed May 15, 2015 for U.S. Appl. No. 29/469,889.  
 U.S. Office Action Mailed Jun. 2, 2015 for U.S. Appl. No. 14/054,656.  
 Brazilian Office Action dated Jun. 16, 2015 for Brazilian Patent Application No. BR 30 2014 001702-0 with English translation of portion of document relating to BR 30 2014 001702-0.  
 Notice of Allowance Mailed Jul. 31, 2015 for U.S. Appl. No. 29/469,889.  
 U.S. Office Action Mailed Aug. 21, 2015 for U.S. Appl. No. 14/054,656.  
 Examiner's Report dated Nov. 13, 2015 received for Canadian Industrial Design Application No. 164902.  
 US Notice of Allowance dated Jan. 29, 2016, from related U.S. Appl. No. 29/508,972.  
 US Office Action dated Feb. 9, 2016, from related U.S. Appl. No. 14/054,656.  
 International Search Report and Written Opinion dated May 23, 2016, from related PCT application No. PCT/US2016/017038.  
 US Office Action dated Aug. 12, 2016, from related U.S. Appl. No. 14/617,807.  
 US Office Action dated Sep. 8, 2016, from related U.S. Appl. No. 15/203,680.

\* cited by examiner

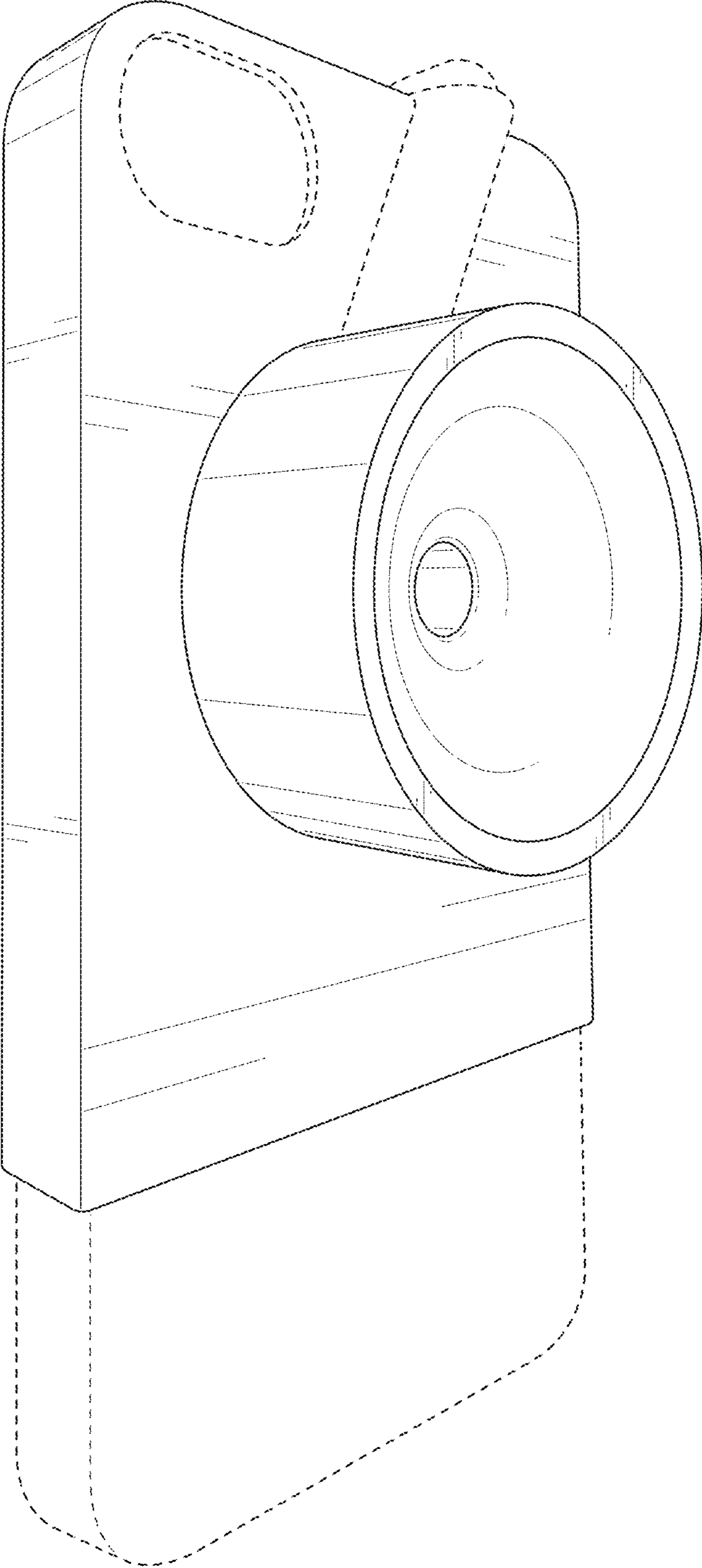


FIG. 1



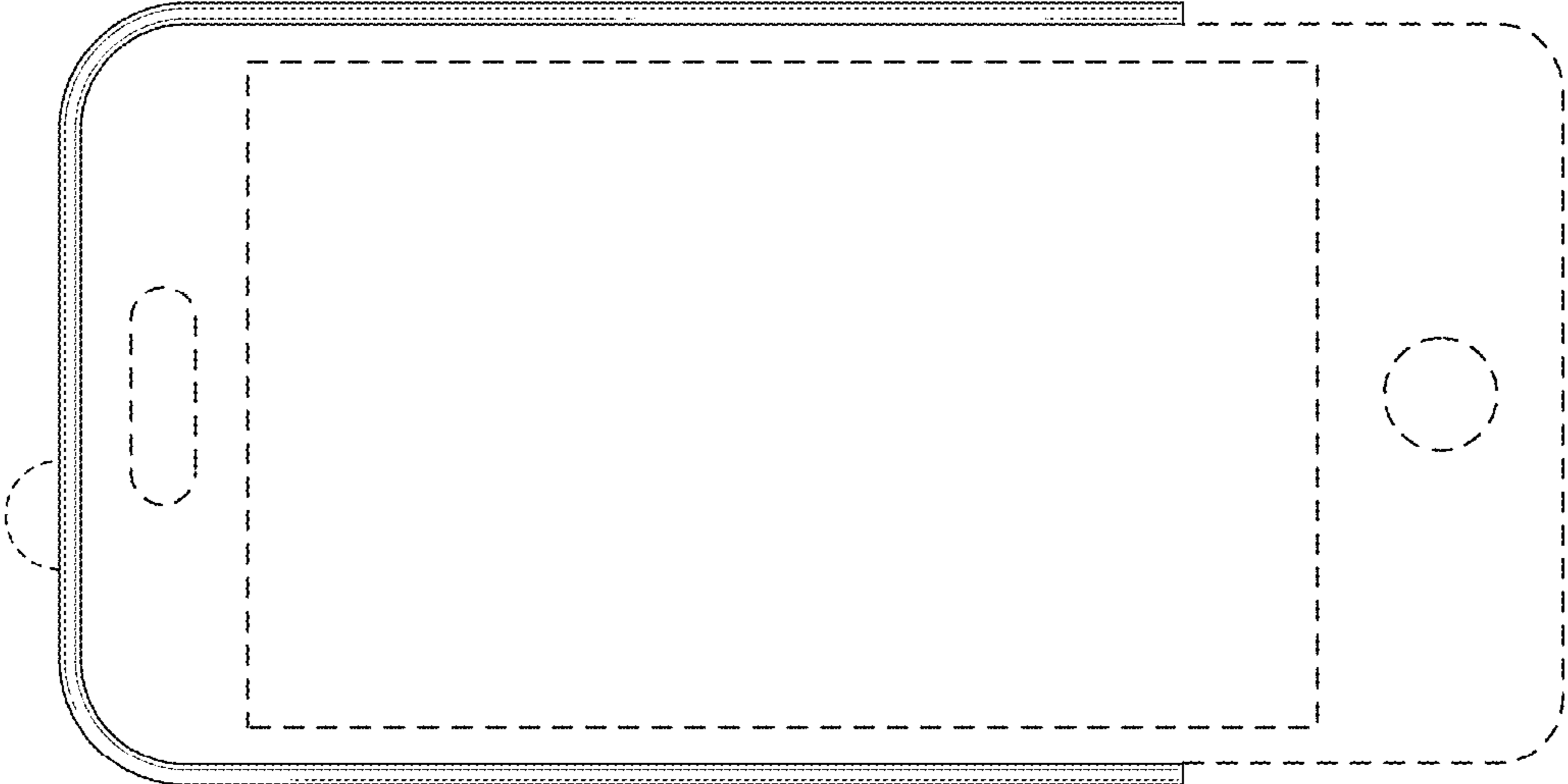


FIG. 3

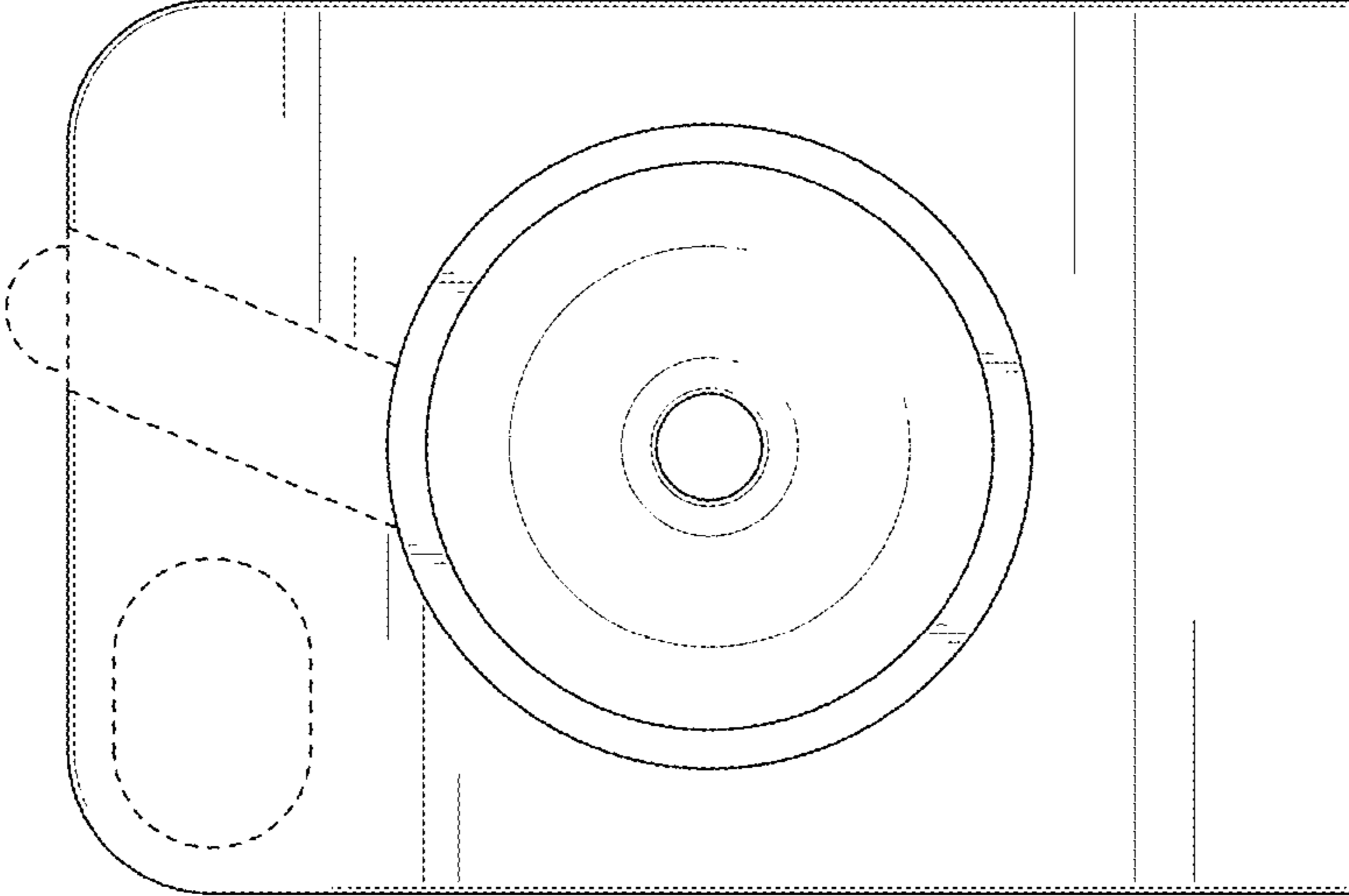


FIG. 2

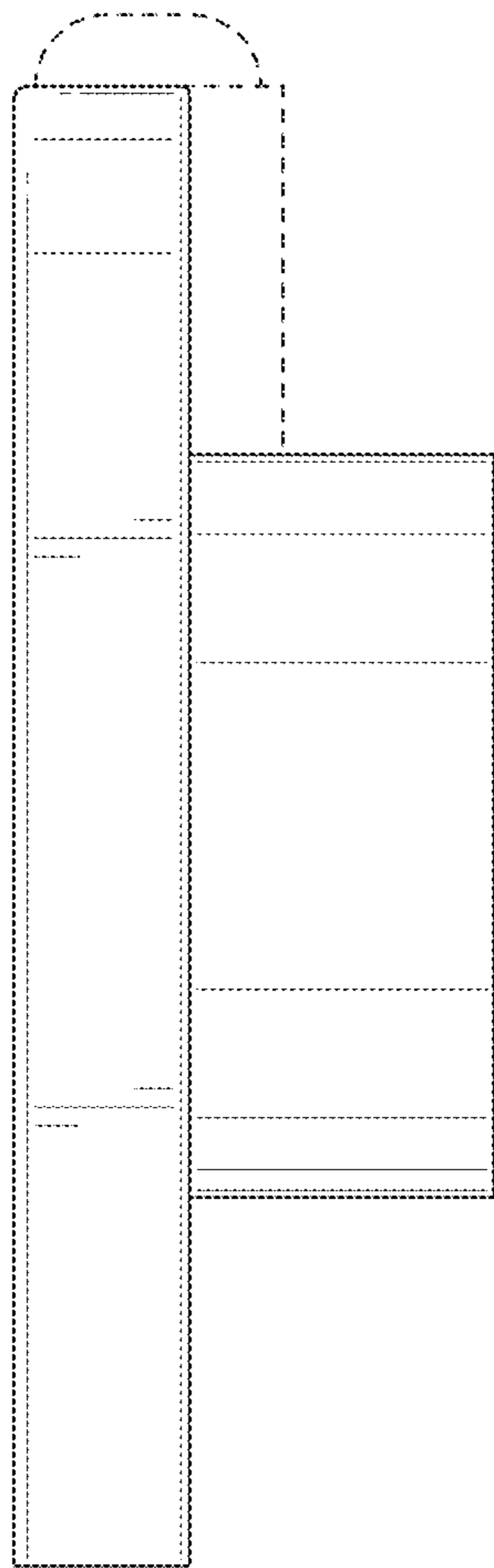


FIG. 4

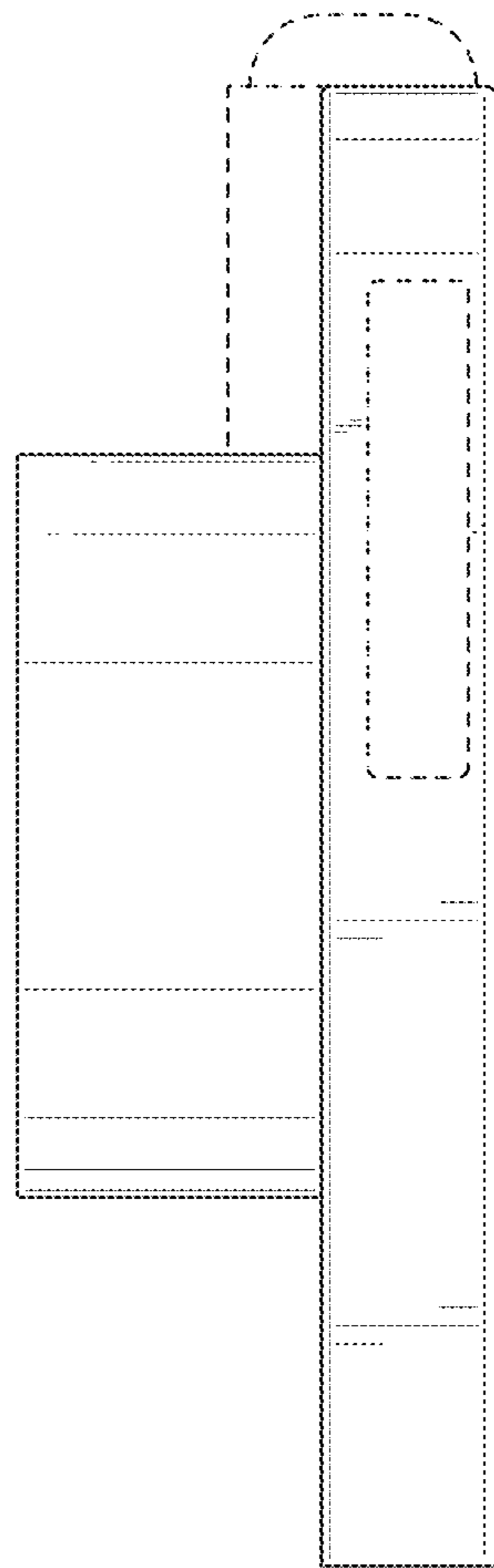


FIG. 5

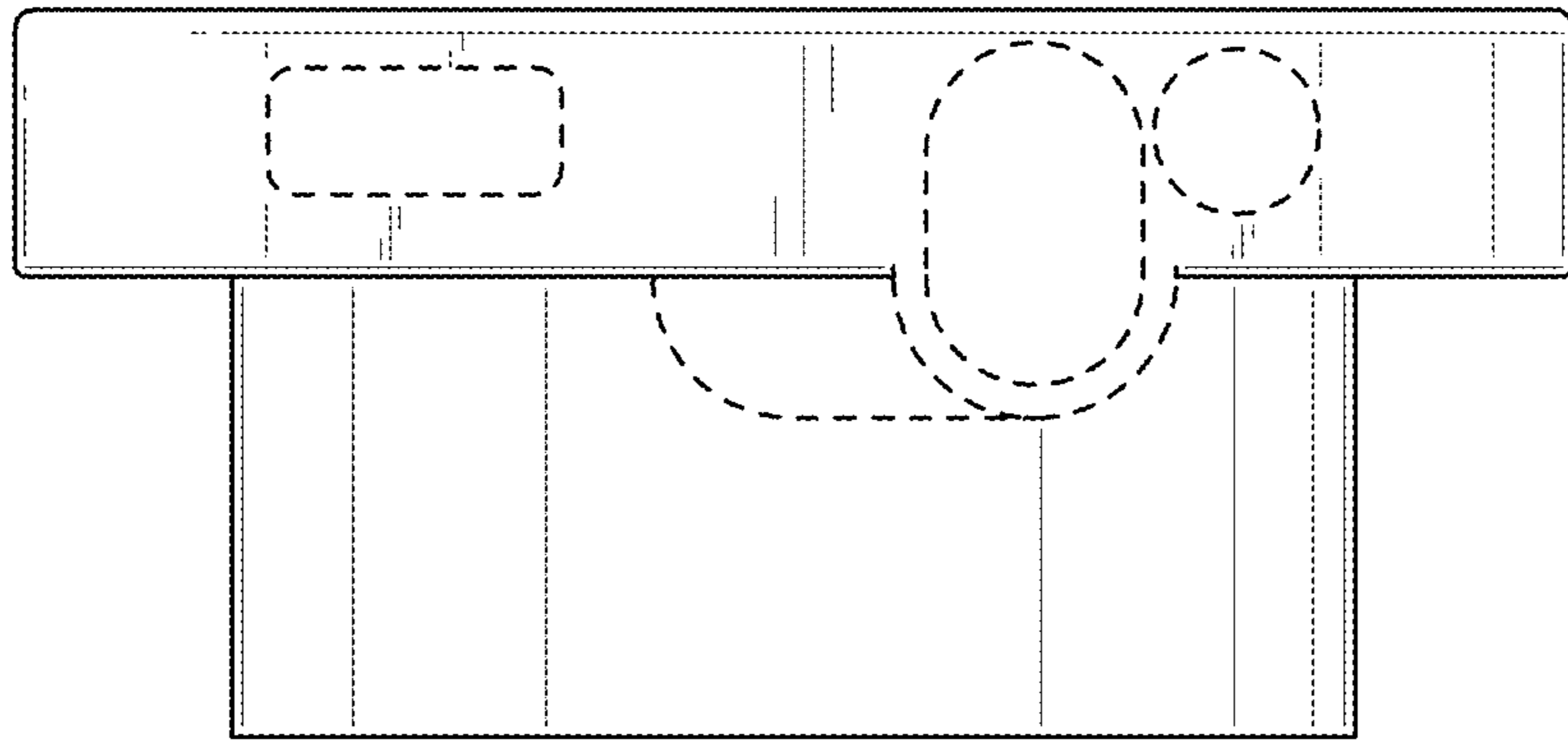


FIG. 6

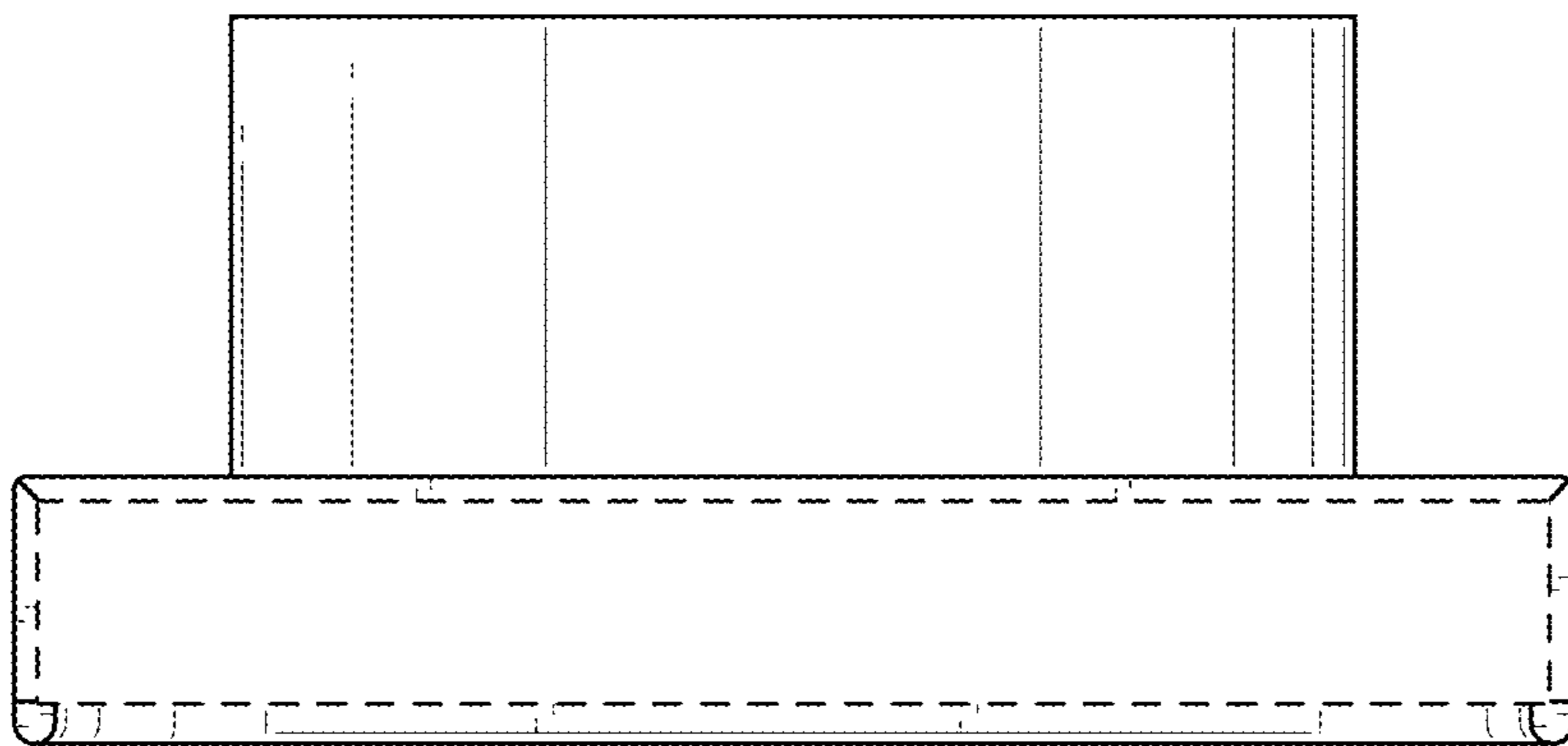


FIG. 7

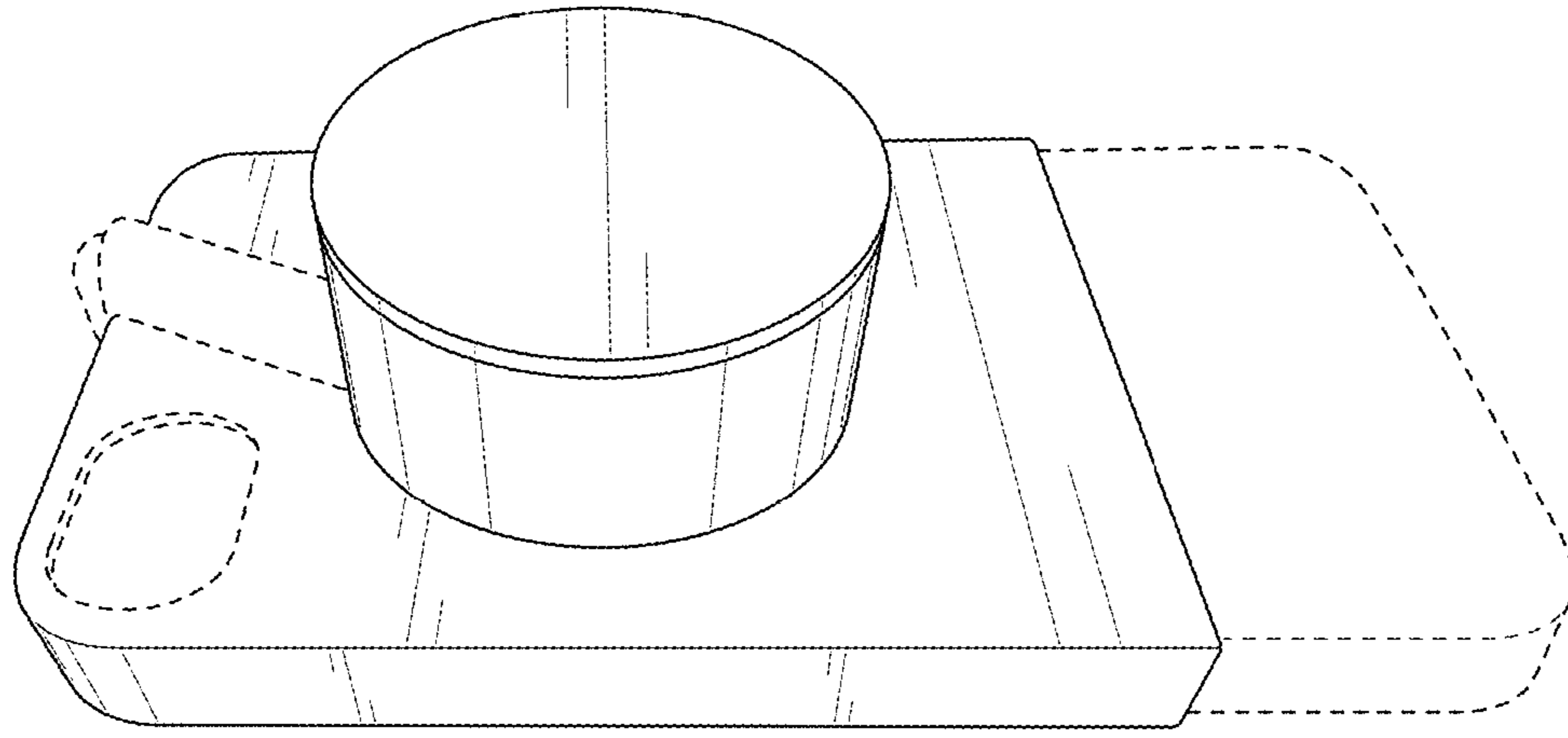


FIG. 9

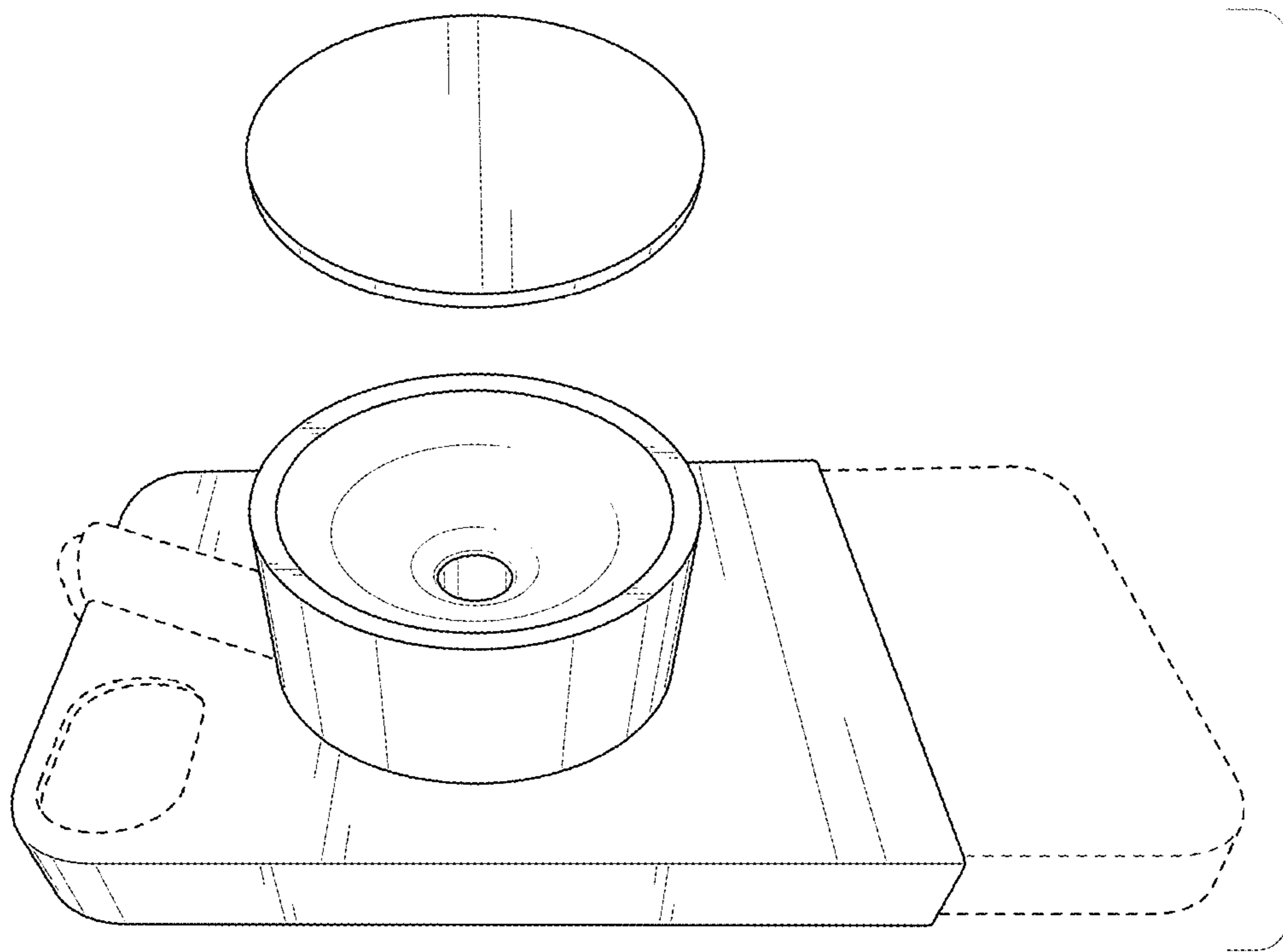


FIG. 8