



US00D772214S

(12) **United States Design Patent** (10) **Patent No.:** **US D772,214 S**
Daniel et al. (45) **Date of Patent:** **** Nov. 22, 2016**

- (54) **COVER FOR ELECTRONIC COMMUNICATIONS DEVICE**
- (71) Applicants: **Isaac S. Daniel**, Miramar, FL (US); **Basel Saleh**, Miramar, FL (US)
- (72) Inventors: **Isaac S. Daniel**, Miramar, FL (US); **Basel Saleh**, Miramar, FL (US)
- (**) Term: **15 Years**
- (21) Appl. No.: **29/543,794**
- (22) Filed: **Oct. 28, 2015**
- (51) **LOC (10) Cl.** **14-03**
- (52) **U.S. Cl.**
USPC **D14/250**
- (58) **Field of Classification Search**
USPC D14/238.1, 440, 203.3-203.7, 217, 240, D14/248, 251-253, 447, 496, 250; D3/201, D3/218, 247, 269, 273, 301, 303; D13/103, 107-108, 119
CPC H04B 1/3888; H04M 1/0283; H04M 1/0202; A45C 1/06; A45C 11/00; A45C 13/02; A45C 2011/002; A45F 2005/026; A45F 2200/0525; A45F 2200/0516
See application file for complete search history.

(56) **References Cited**

U.S. PATENT DOCUMENTS

- 6,758,335 B2 * 7/2004 Kajiya A45C 13/02 206/320
- D641,348 S * 7/2011 Kim D14/250
- D652,829 S * 1/2012 Kim D14/250
- D657,354 S * 4/2012 Kim D14/250
- D678,260 S * 3/2013 Bau D14/132
- D696,256 S * 12/2013 Piedra D14/440
- D698,773 S * 2/2014 Wildner D14/250
- D702,673 S * 4/2014 Murchison D14/250
- D707,218 S * 6/2014 YoonYoung D14/250
- D708,172 S * 7/2014 Ryu D14/250

- D711,861 S * 8/2014 Mei D14/250
- 8,807,333 B1 * 8/2014 Cooper A45C 11/00 206/320
- D712,393 S * 9/2014 Kim D14/250
- D713,834 S * 9/2014 Almstrom D14/250
- 9,112,956 B2 * 8/2015 Huang H04B 1/3888
- 9,118,390 B2 * 8/2015 Lin H04B 1/3888
- D748,083 S * 1/2016 Peterson, III D14/250
- D748,084 S * 1/2016 Kim D14/250
- 9,259,068 B2 * 2/2016 Yu A45C 11/00
- D755,168 S * 5/2016 Kim D14/250
- 2008/0096620 A1 * 4/2008 Lee G06F 1/1626 455/575.8
- 2014/0205799 A1 * 7/2014 Lin B29C 65/08 428/138
- 2014/0210803 A1 * 7/2014 Oh G09G 3/20 345/207
- 2014/0262934 A1 * 9/2014 Fathollahi A45C 13/002 206/774

* cited by examiner

Primary Examiner — Carla Jobe Wright

(74) *Attorney, Agent, or Firm* — Carol N. Green Kaul, Esq.

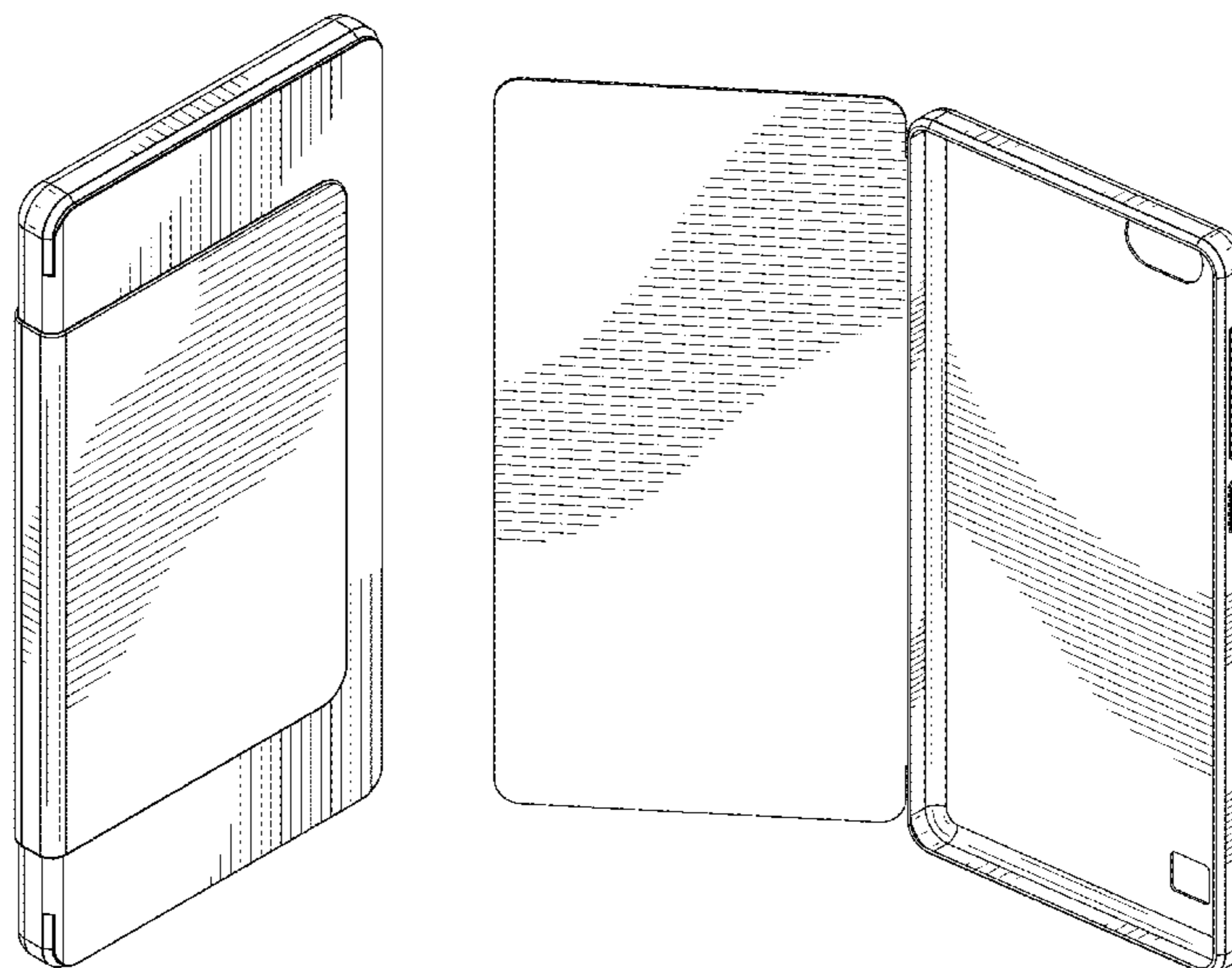
(57) **CLAIM**

The ornamental design for a cover for electronic communications device, as shown and described.

DESCRIPTION

FIG. 1 is a front perspective view of a cover for electronic communications device showing our new design.
 FIG. 2 is a rear perspective view thereof.
 FIG. 3 is a front elevation view thereof.
 FIG. 4 is a rear elevation view thereof.
 FIG. 5 is a left-side view thereof.
 FIG. 6 is a right-side view thereof.
 FIG. 7 is a top view thereof.
 FIG. 8 is a bottom view thereof.
 FIG. 9 is a perspective view thereof in an open position; and,
 FIG. 10 is a perspective view thereof in an open position.

1 Claim, 8 Drawing Sheets



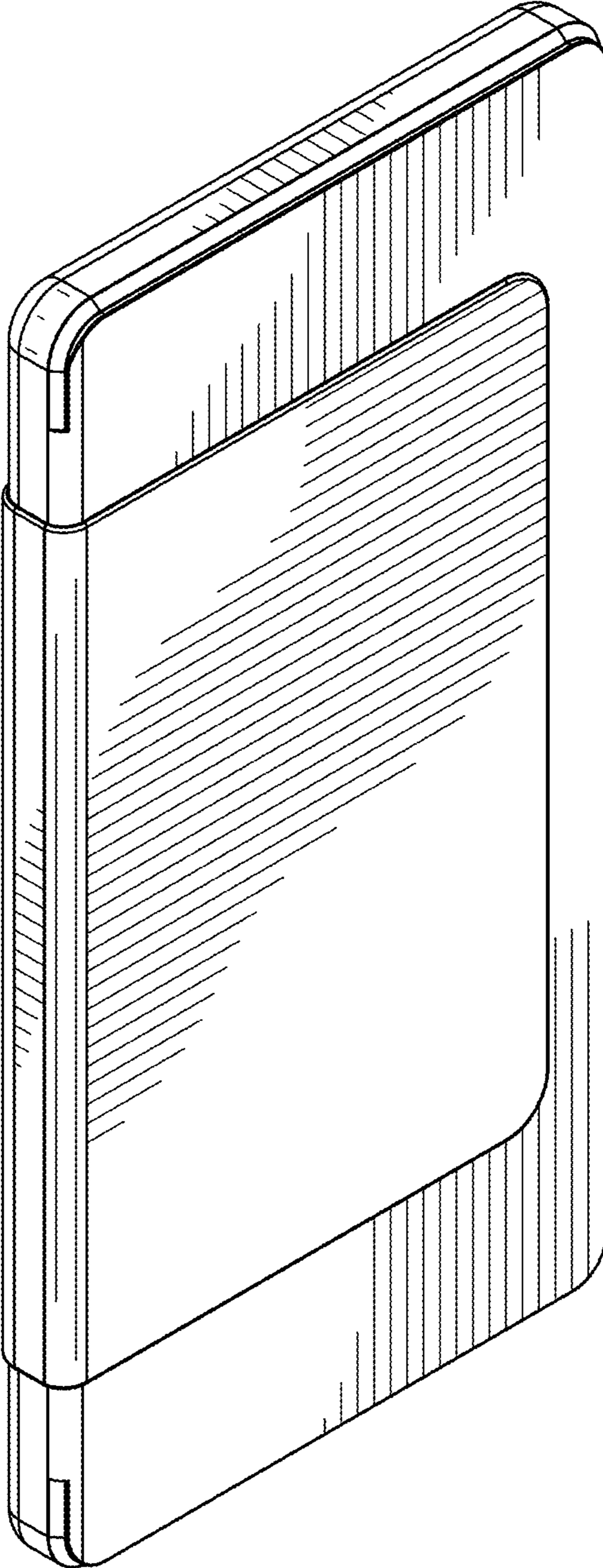


FIG. 1

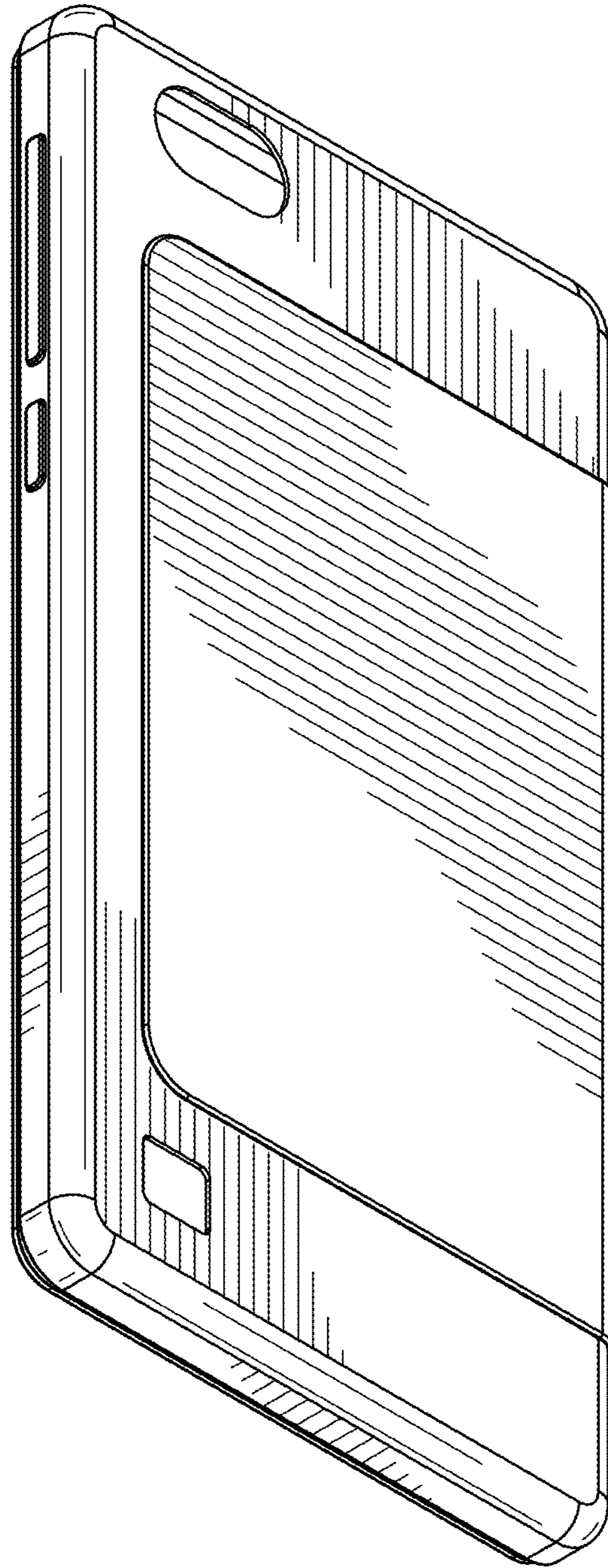


FIG. 2

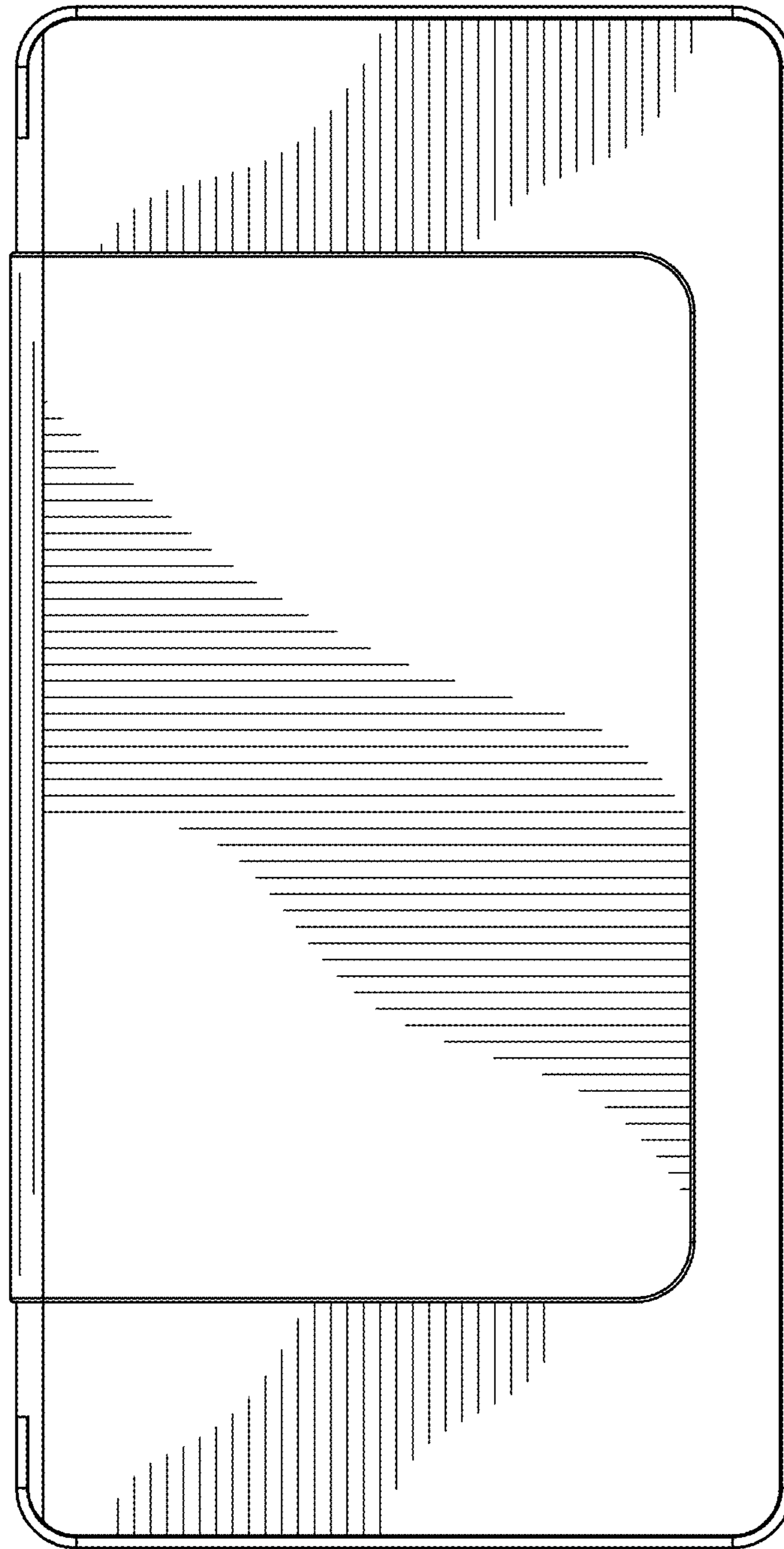


FIG. 3

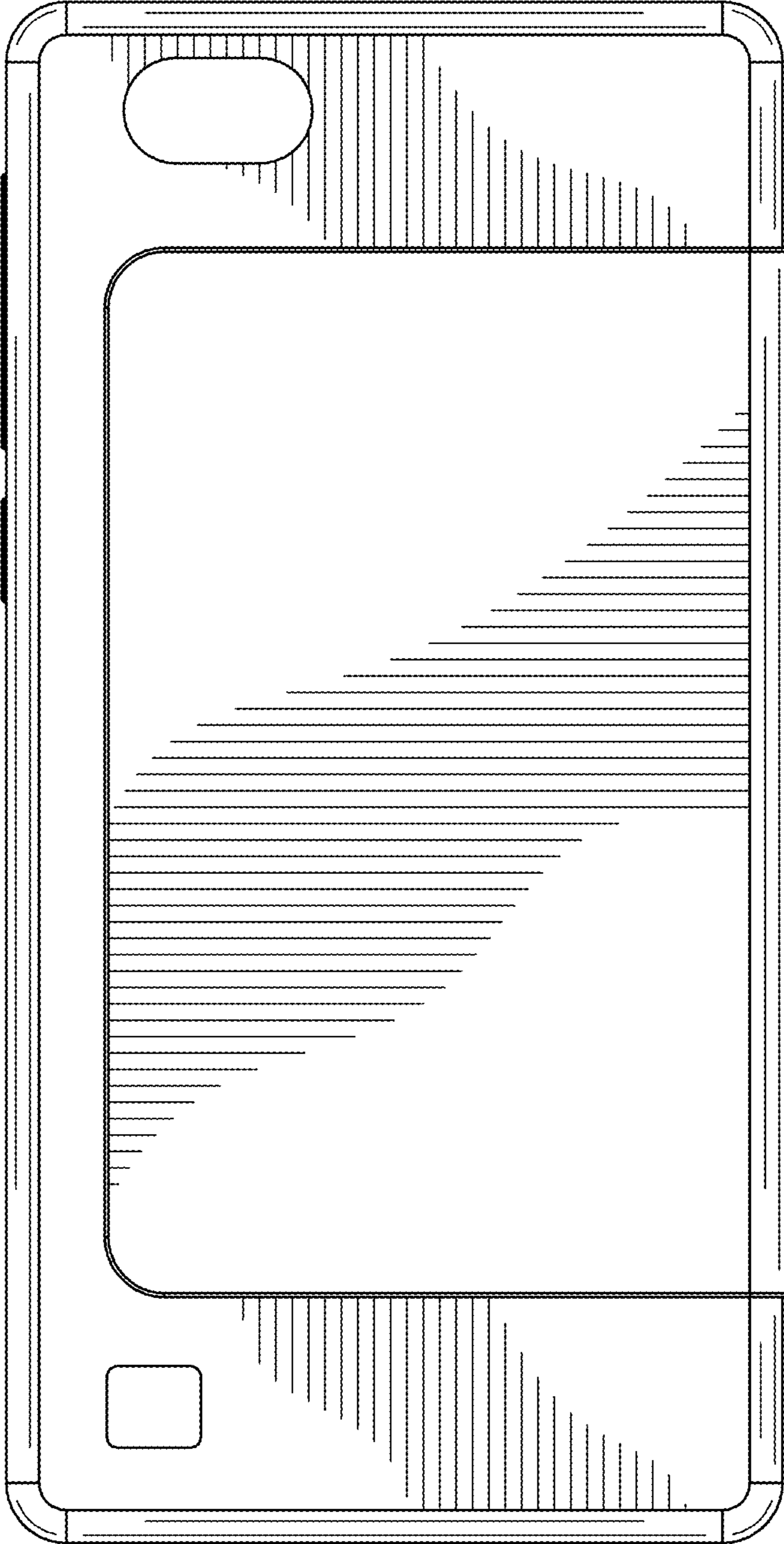


FIG. 4

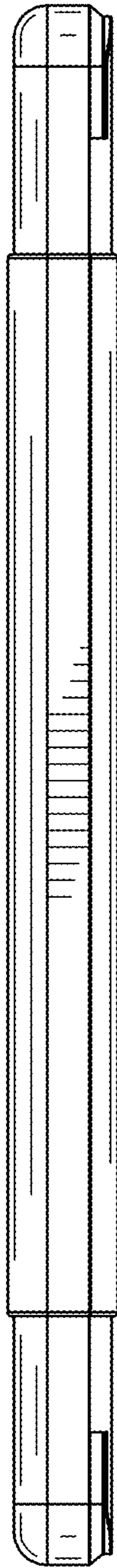


FIG. 5



FIG. 6

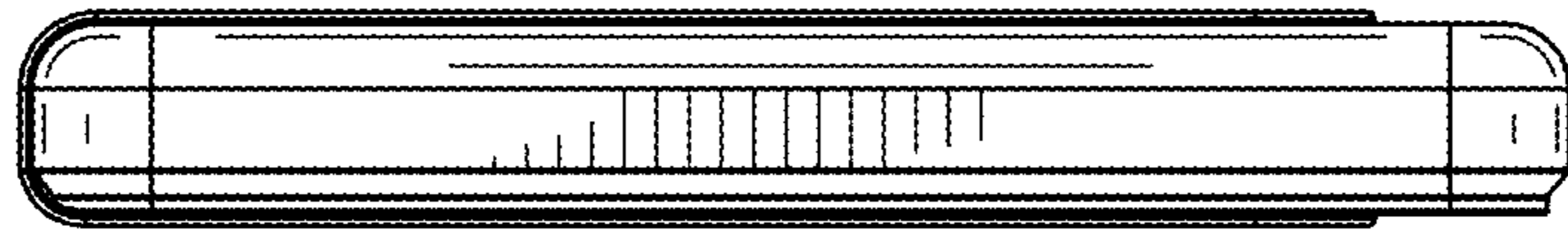


FIG. 7

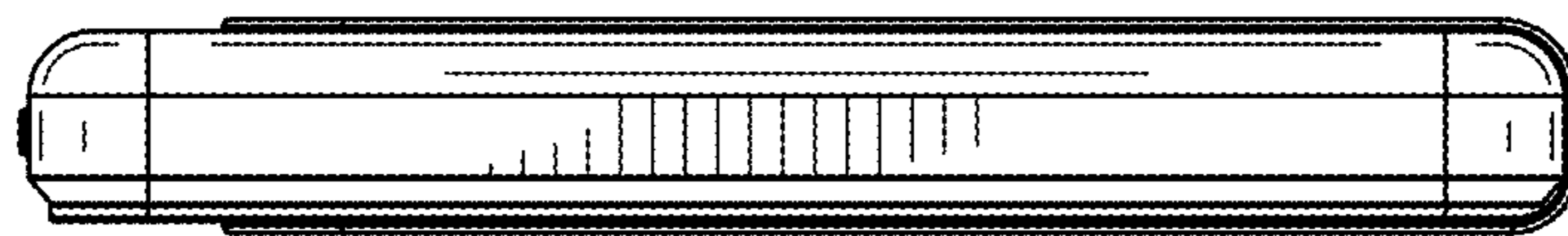


FIG. 8

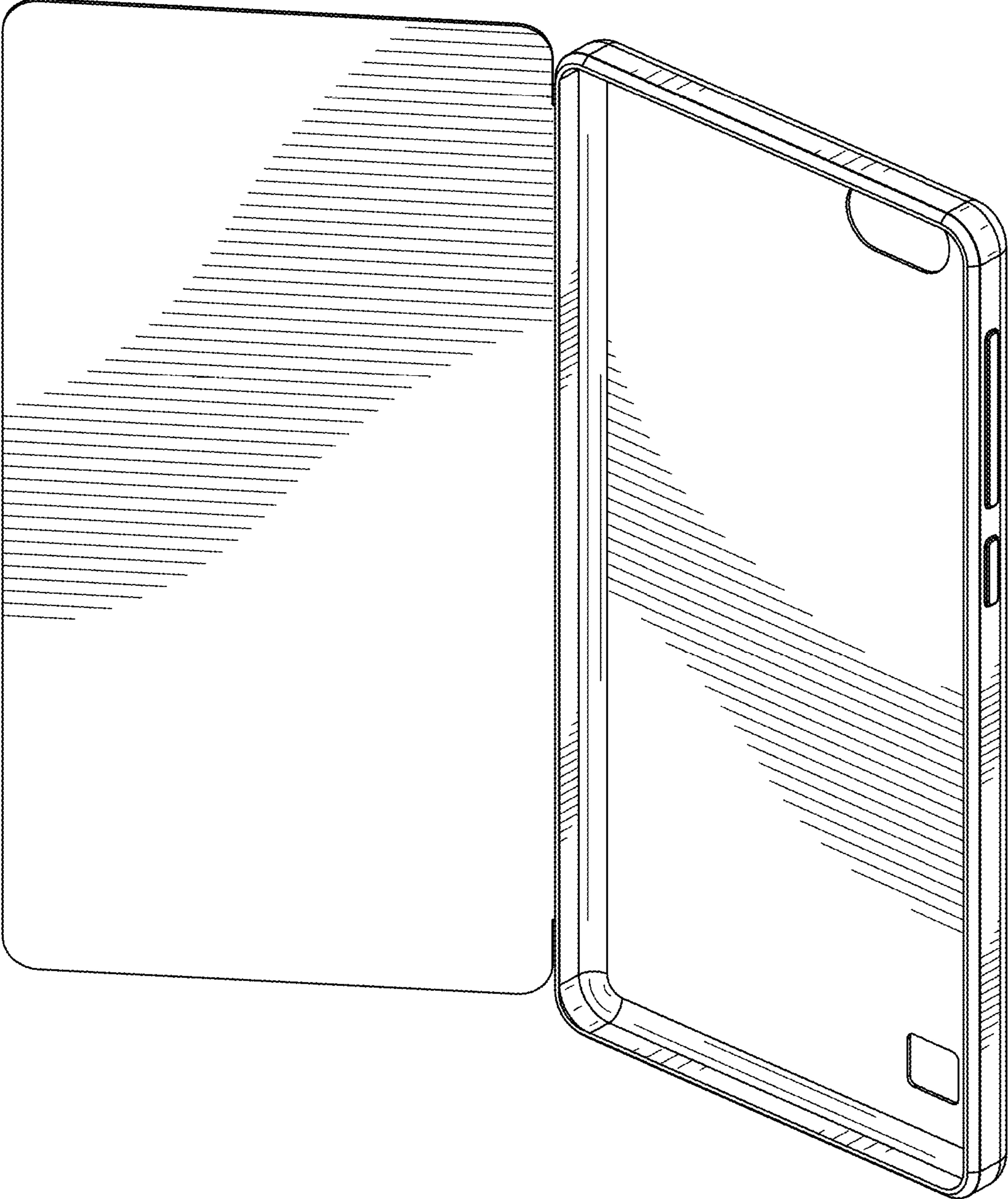


FIG. 9

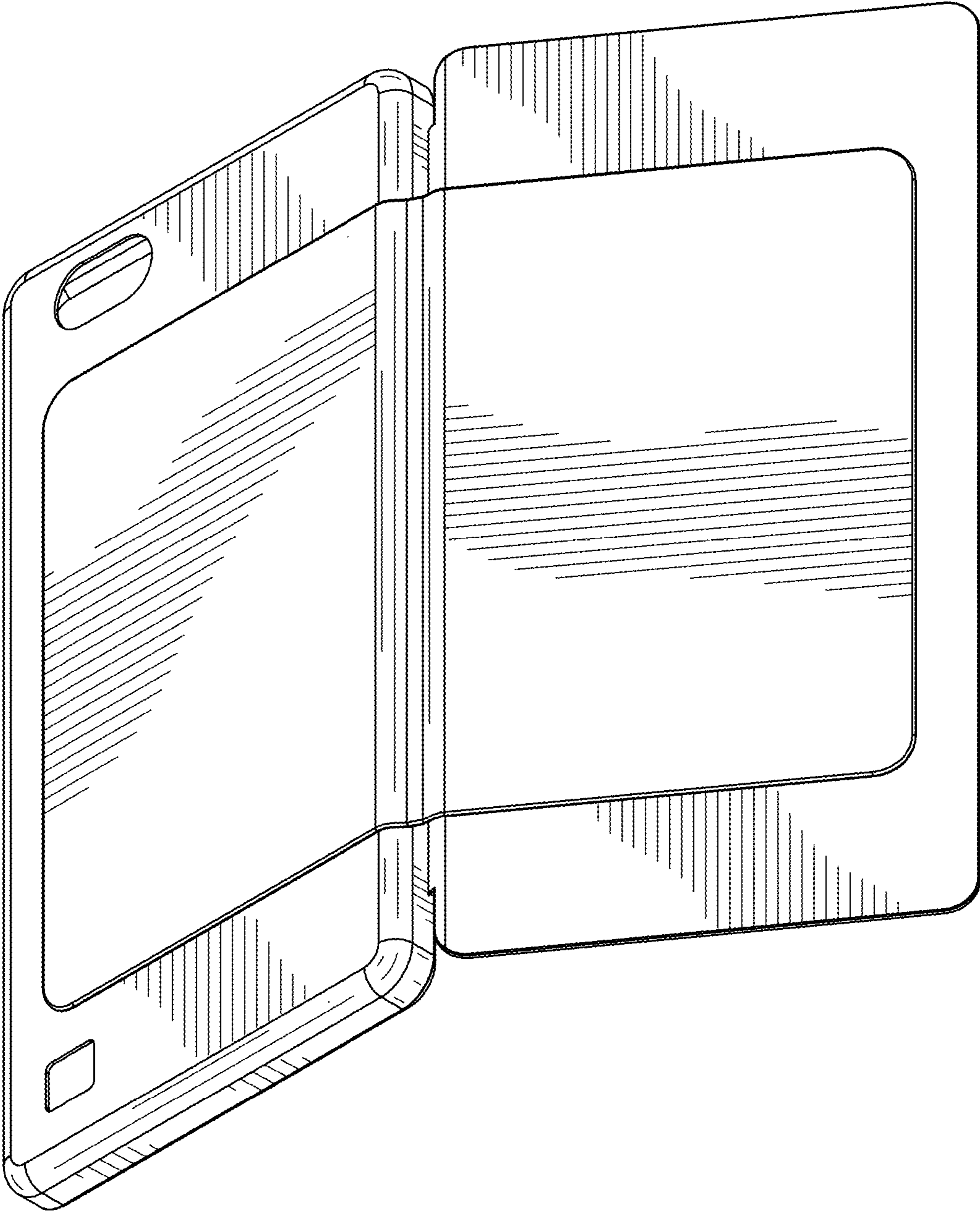


FIG. 10