

US00D772208S

(12) **United States Design Patent** (10) **Patent No.:** **US D772,208 S**
Merenda (45) **Date of Patent:** **** Nov. 22, 2016**

(54) **PROTECTIVE COVER**

- (71) Applicant: **HYBRID SKILLZ INC.**, New York, NY (US)
- (72) Inventor: **John T. Merenda**, New York, NY (US)
- (73) Assignee: **HYBRID SKILLZ INC.**, New York, NY (US)
- (**) Term: **14 Years**
- (21) Appl. No.: **29/455,255**
- (22) Filed: **May 17, 2013**

Related U.S. Application Data

- (63) Continuation-in-part of application No. 29/430,245, filed on Aug. 23, 2012, now Pat. No. Des. 698,772, which is a continuation-in-part of application No. 29/417,184, filed on Mar. 30, 2012, now Pat. No. Des. 667,823.

- (51) **LOC (10) Cl.** **14-03**
- (52) **U.S. Cl.**
USPC **D14/250**

- (58) **Field of Classification Search**
USPC D14/250-253, 440, 203.3-203.7, 217, D14/496, 248, 238.1, 240, 447; D13/103, D13/107-108; D3/201, 218, 269, 301, 273, D3/303; 220/433.01, 433.04; 248/168, 248/107-108, 119; 361/679.56; 379/426, 379/433.11, 455; 455/575.1, 575.8; 190/100; 206/305, 350
CPC H04M 1/0283; H04M 1/0202; H04M 1/185; H04B 1/3888; A45C 2011/002; A45C 11/00; A45C 13/002; A45C 2011/003
See application file for complete search history.

(56) **References Cited**

U.S. PATENT DOCUMENTS

- 4,584,718 A 4/1986 Fuller
- D301,034 S 5/1989 Fujita et al.

(Continued)

OTHER PUBLICATIONS

Ipod® Player Case with Retrable Stereo, <URL:http://www.amazon.com/ipd%ae-player-retractable-stereo-hadphones/dp/b000bt27mo>.

(Continued)

Primary Examiner — Sandra Snapp

Assistant Examiner — Holly E Thurman

(74) *Attorney, Agent, or Firm* — Im IP Law PLLC; C. Andrew Im

(57) **CLAIM**

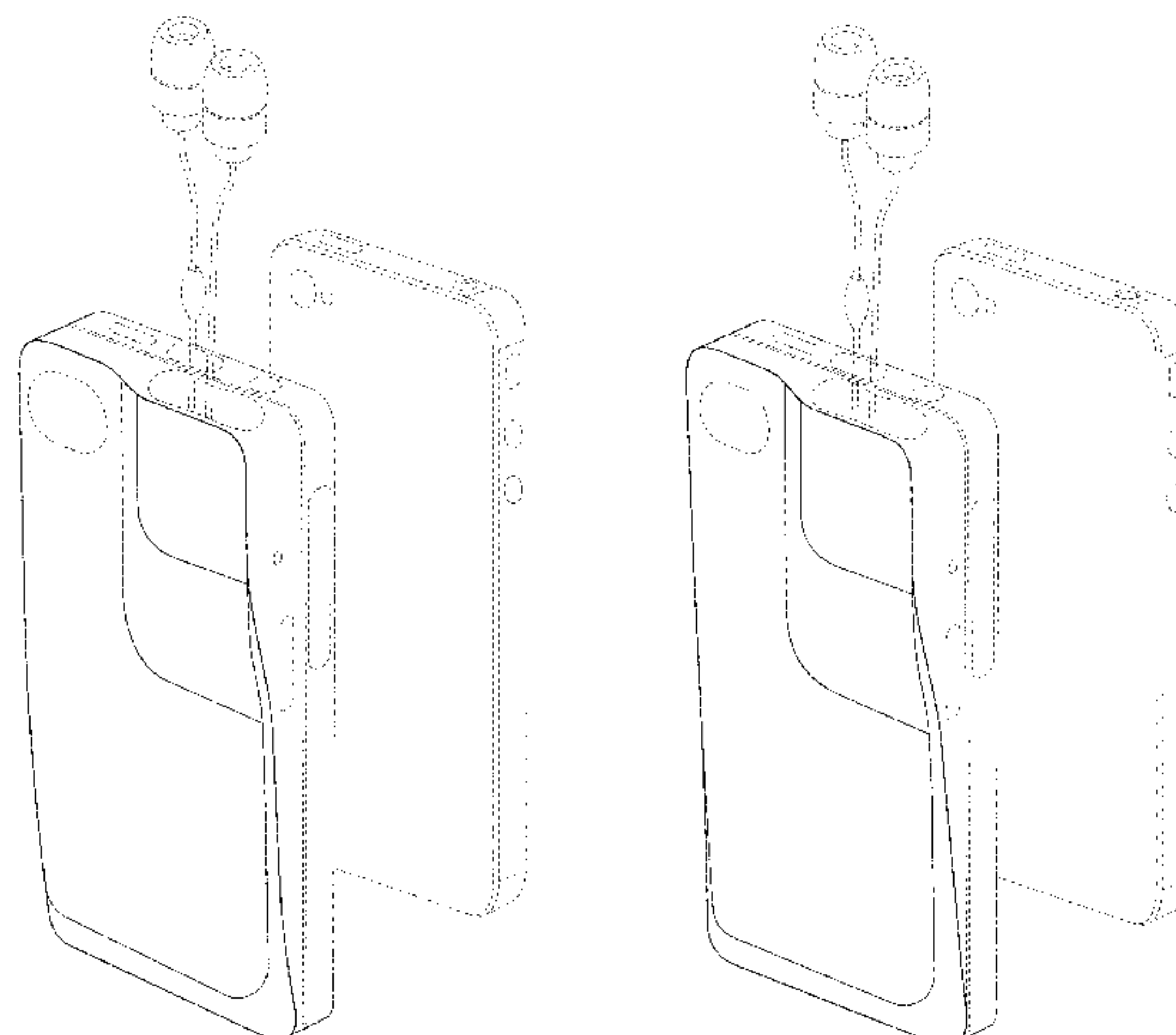
The ornamental design for a protective cover, as shown and described.

DESCRIPTION

FIG. 1 is a front elevation view of embodiments 1, 2 and 3 of a protective cover, showing my new design; FIG. 2 is a top plan view of embodiment 1; FIG. 3 is a rear perspective view of embodiment 1; FIG. 4 is a rear elevation view of embodiments 1 and 2; FIG. 5 is a left side view of embodiment 1; FIG. 6 is a right side view of embodiment 1; FIG. 7 is a bottom plan view of embodiment 1; FIG. 8 is a rear perspective view of embodiment 2; FIG. 9 is a left side view of embodiments 2 and 3; FIG. 10 is a right side view of embodiments 2 and 3; FIG. 11 is a top plan view of embodiments 2 and 3; FIG. 12 is a bottom plan view of embodiments 2 and 3; FIG. 13 is a rear perspective view of embodiment 3; and, FIG. 14 is a rear elevation view of embodiment 3.

The dot-dash broken lines represent a boundary of the claimed design. The dash-dash broken lines depict environmental subject matter, including a cell phone, earbuds, and portions of the protective cover that forms no part of the claimed design.

1 Claim, 8 Drawing Sheets



(56)

References Cited

U.S. PATENT DOCUMENTS

4,942,617 A 7/1990 Boylan
 5,422,957 A 6/1995 Cummins
 D397,246 S 8/1998 Hoofnagle et al.
 D407,367 S * 3/1999 Page et al. D13/103
 D414,178 S 9/1999 Loubert et al.
 D427,170 S 6/2000 Edwards et al.
 D434,739 S 12/2000 Hanna et al.
 6,301,487 B1 10/2001 Nakamura
 6,542,757 B2 4/2003 Bae
 6,633,770 B1 10/2003 Gitzinger et al.
 6,712,304 B1 3/2004 Taylor
 6,731,956 B2 5/2004 Hanna et al.
 D510,722 S 10/2005 Kosiba et al.
 7,032,728 B2 4/2006 Harcourt
 7,086,512 B2 8/2006 Shack et al.
 7,180,735 B2 2/2007 Thomas et al.
 D543,197 S 5/2007 Loughnane
 D551,846 S 10/2007 Ko et al.
 D559,826 S 1/2008 Lee et al.
 D560,911 S 2/2008 Hackbart et al.
 D574,819 S 8/2008 Andre et al.
 D603,603 S * 11/2009 Laine et al. D3/218
 7,648,027 B2 1/2010 Lin et al.
 D609,900 S 2/2010 Behar et al.
 D611,251 S 3/2010 Charlwood
 D619,130 S 7/2010 Fellig
 D622,692 S 8/2010 McWilliam et al.
 D622,716 S 8/2010 Andre et al.
 D623,180 S 9/2010 Diebel
 D624,114 S 9/2010 Ausems et al.
 7,822,448 B2 10/2010 Lin et al.
 D635,131 S 3/2011 Roman
 D639,052 S 6/2011 Fathollahi
 D654,068 S 2/2012 Monaco et al.
 D654,483 S 2/2012 Richardson et al.
 D654,931 S 2/2012 Lemelman et al.

D707,669 S * 6/2014 Guzman D14/250
 8,857,691 B2 * 10/2014 Monaco et al. 224/669
 8,873,250 B2 * 10/2014 Kroupa 361/826
 D717,287 S * 11/2014 Macrina et al. D14/250
 D723,532 S * 3/2015 Stevinson D14/250
 D723,533 S * 3/2015 Stevinson D14/250
 D724,573 S * 3/2015 Stevinson D14/250
 D726,701 S * 4/2015 Stevinson D14/250
 D732,011 S * 6/2015 Stevinson D14/250
 2003/0096640 A1 5/2003 Bae
 2003/0157973 A1 8/2003 Yang
 2003/0224839 A1 12/2003 Takahashi et al.
 2004/0204165 A1 10/2004 Huang
 2005/0220316 A1 10/2005 Hsiang
 2005/0255898 A1 11/2005 Huang
 2006/0058081 A1 3/2006 Reichenbach
 2007/0165371 A1 7/2007 Brandenburg
 2010/0279743 A1 11/2010 Sim
 2011/0170732 A1 7/2011 Parker et al.
 2011/0233078 A1 9/2011 Monaco et al.
 2012/0074006 A1 * 3/2012 Monaco et al. 206/320
 2012/0077556 A1 * 3/2012 McKendrick 455/575.8

OTHER PUBLICATIONS

EarGears Phone Case with Built-in Retractable Headphones, shipping for iPhone 4 platform beginning Apr. 2012, <URL:http://www.ear-gears.com/>.
 Sangean DT-220A AM/FM Stereo Pocket Size Radio with Self-Storage Headphones, earliest customer review on Feb. 21, 2004 <URL: http://www.amazon.com/sangean-dt-220a-stereo-self-storage-headphones/dp/b00008aybf>.
 Azeca Clip-On Bluetooth Headset with retractable earbud, posted on Mar. 15, 2012, <URL: http://thegeekchurch.com/wp-content/uploads/2012/03/azeca-retractable.png>.
 www.quirky.com/ideations/165787, Automatic Wire Retractor Phone Case, Mar. 29, 2012, 1 page.

* cited by examiner



FIG. 1

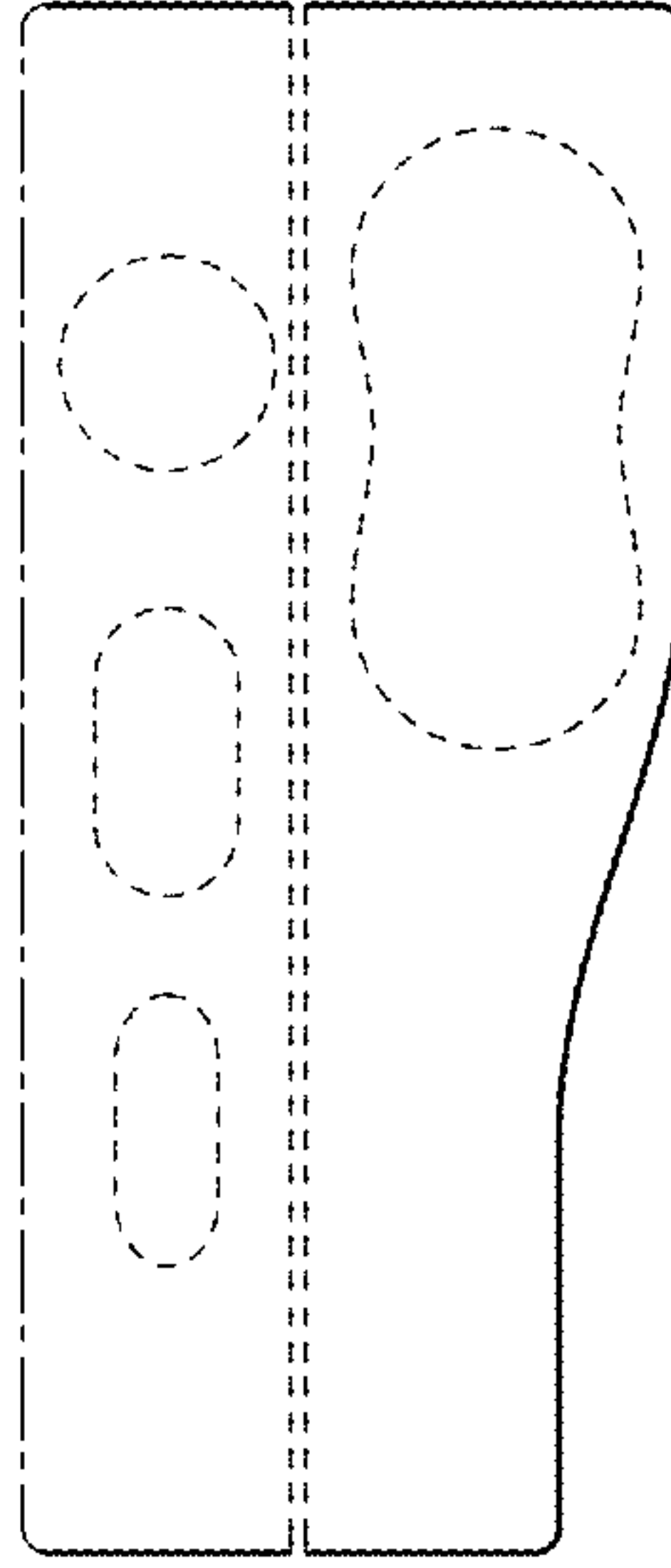


FIG. 2

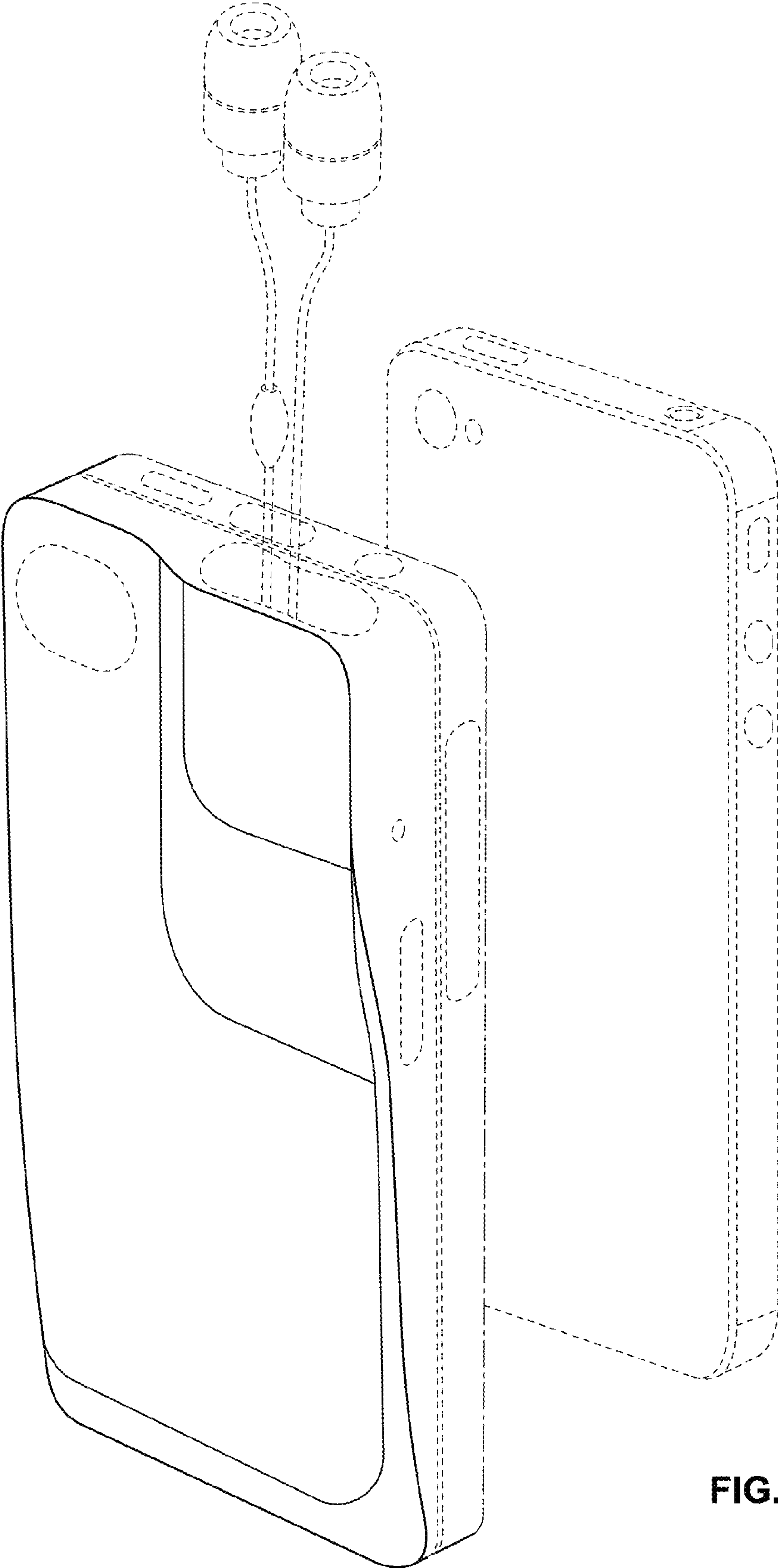


FIG. 3

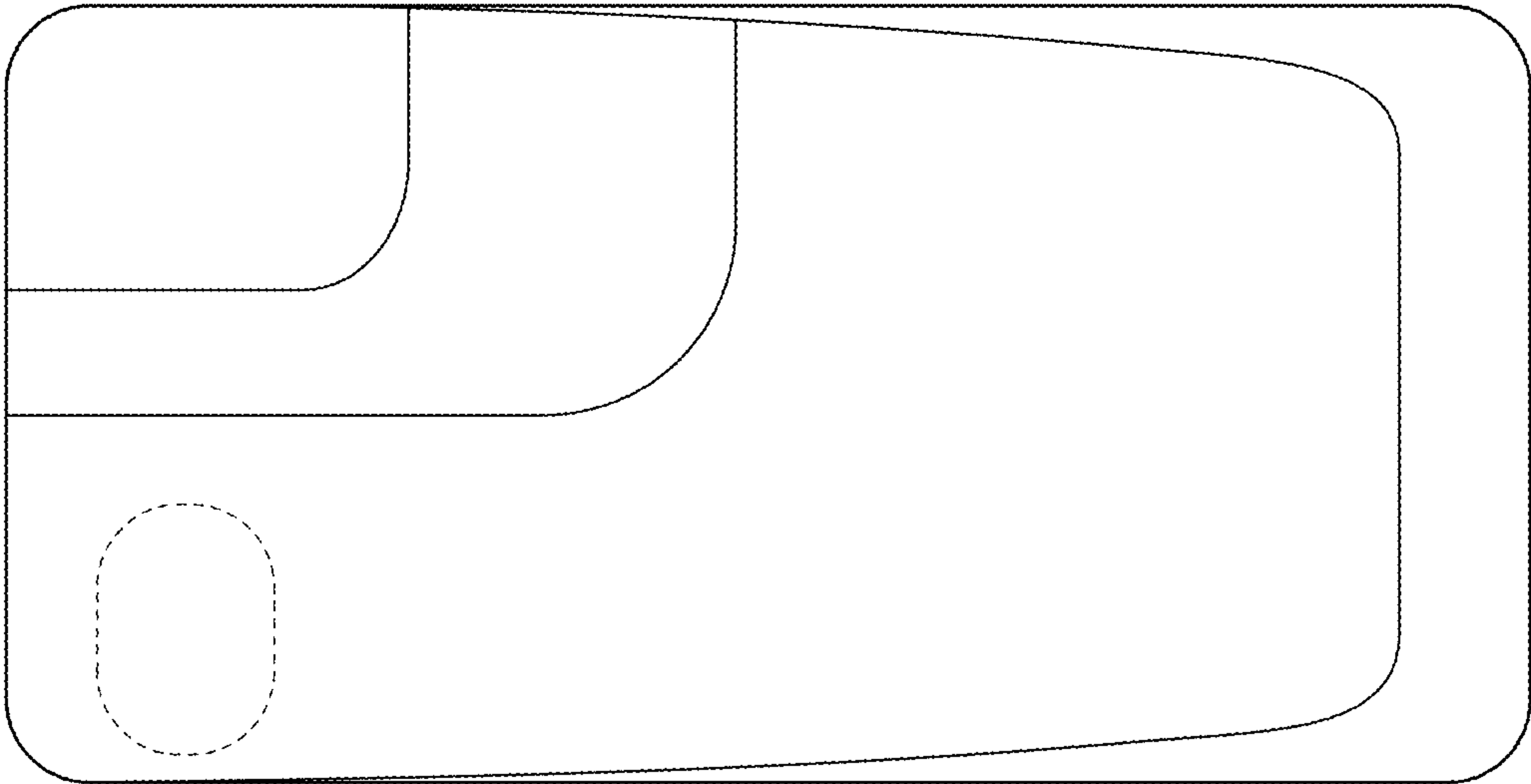


FIG. 4

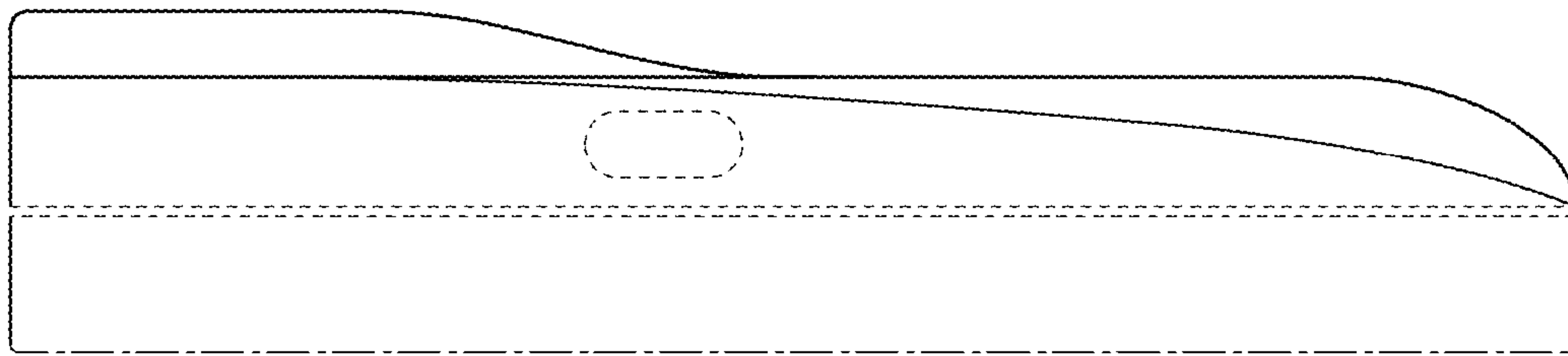


FIG. 5

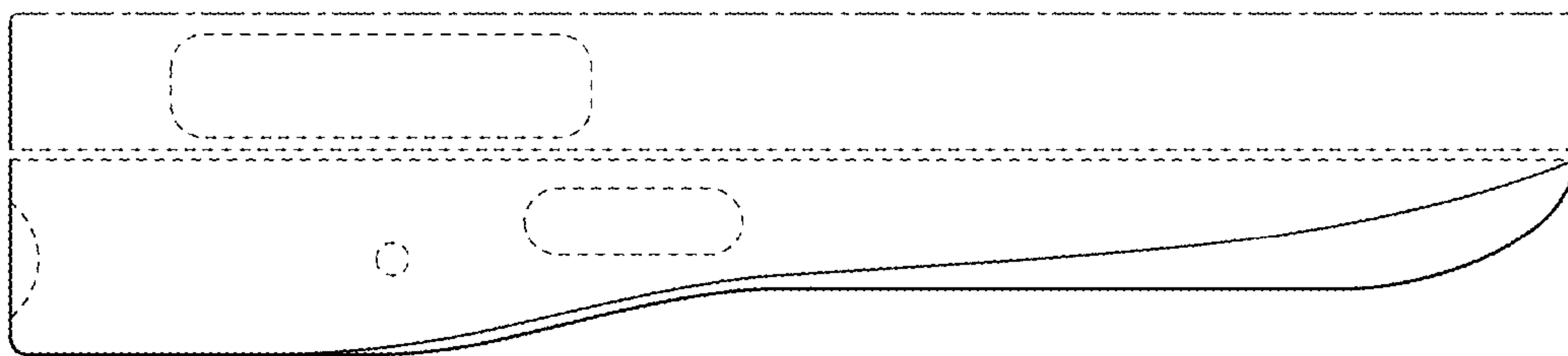


FIG. 6

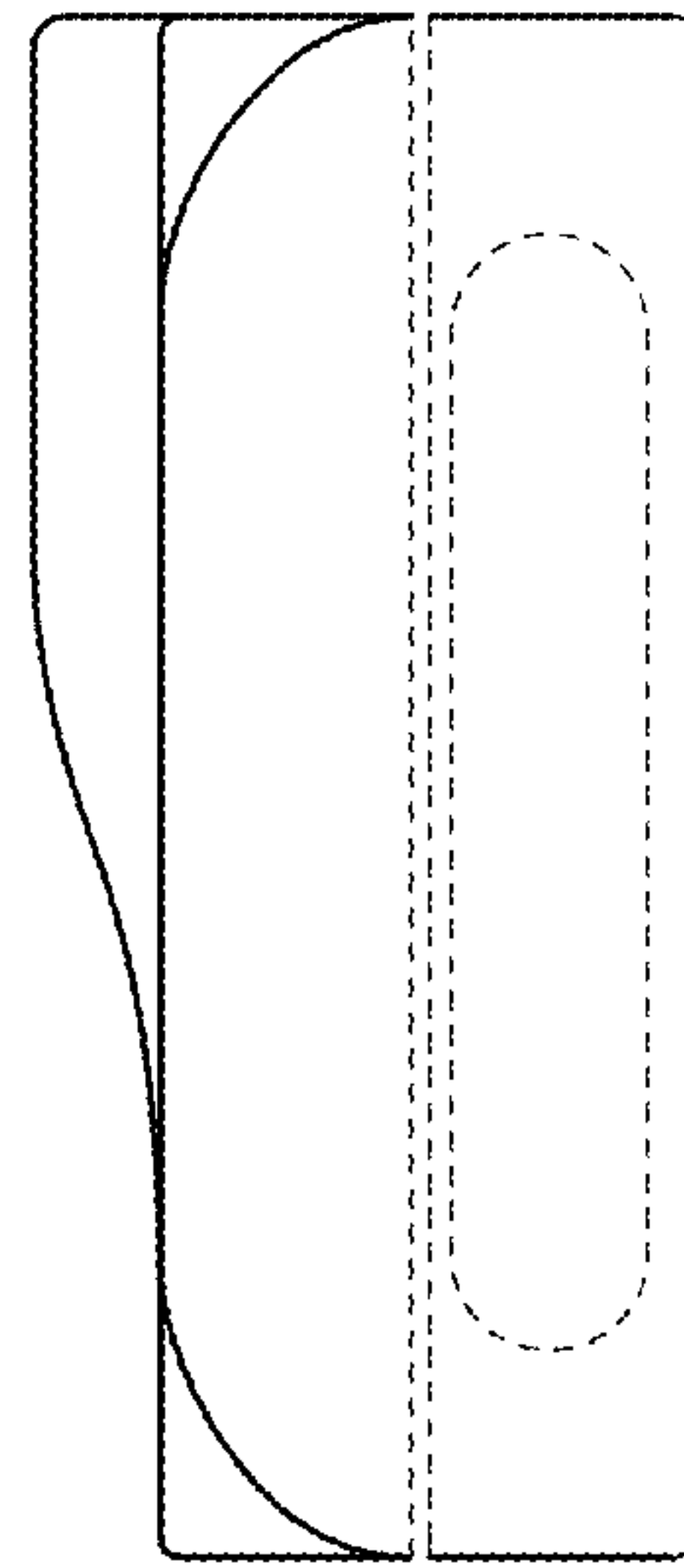


FIG. 7

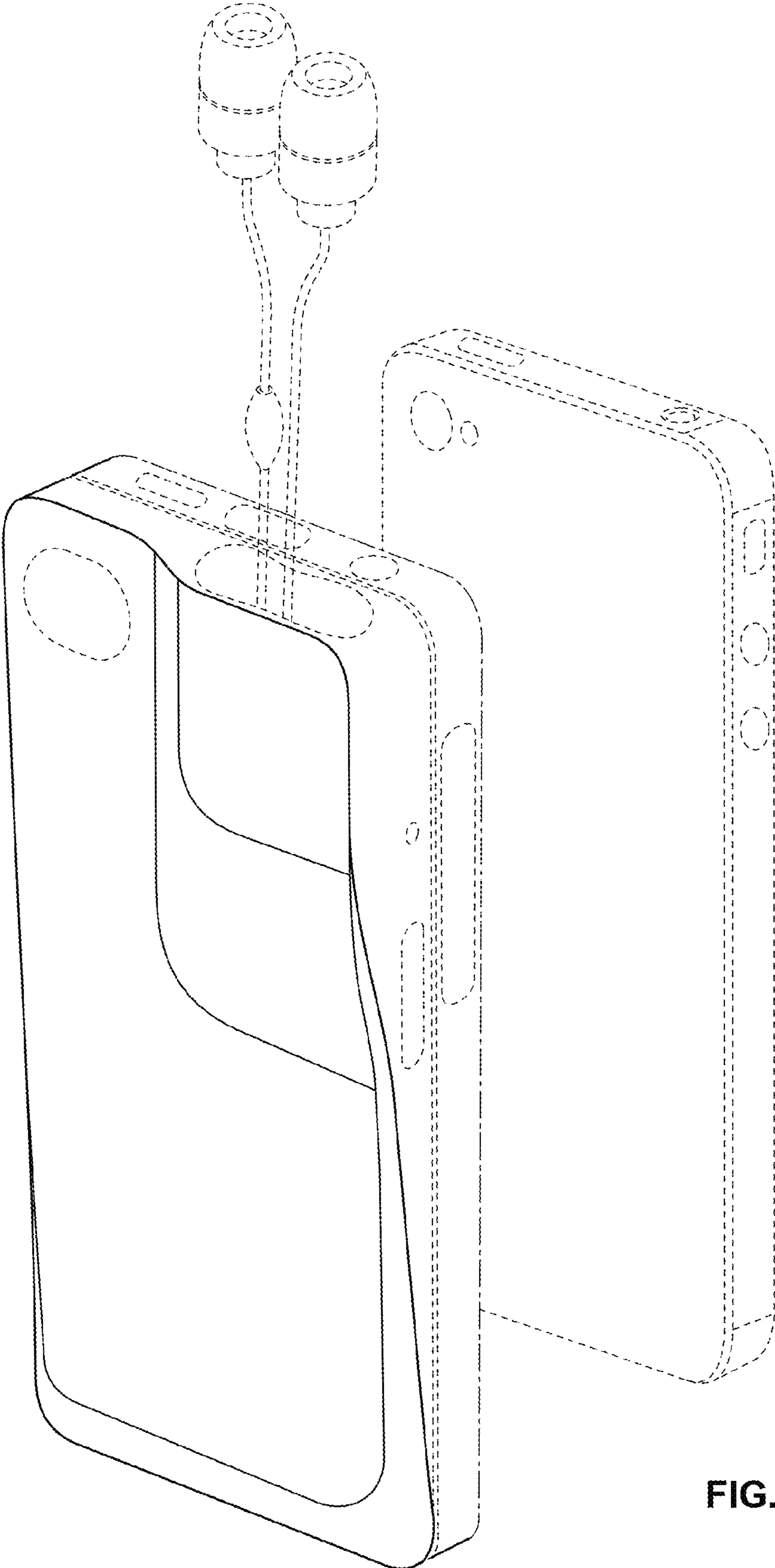


FIG. 8

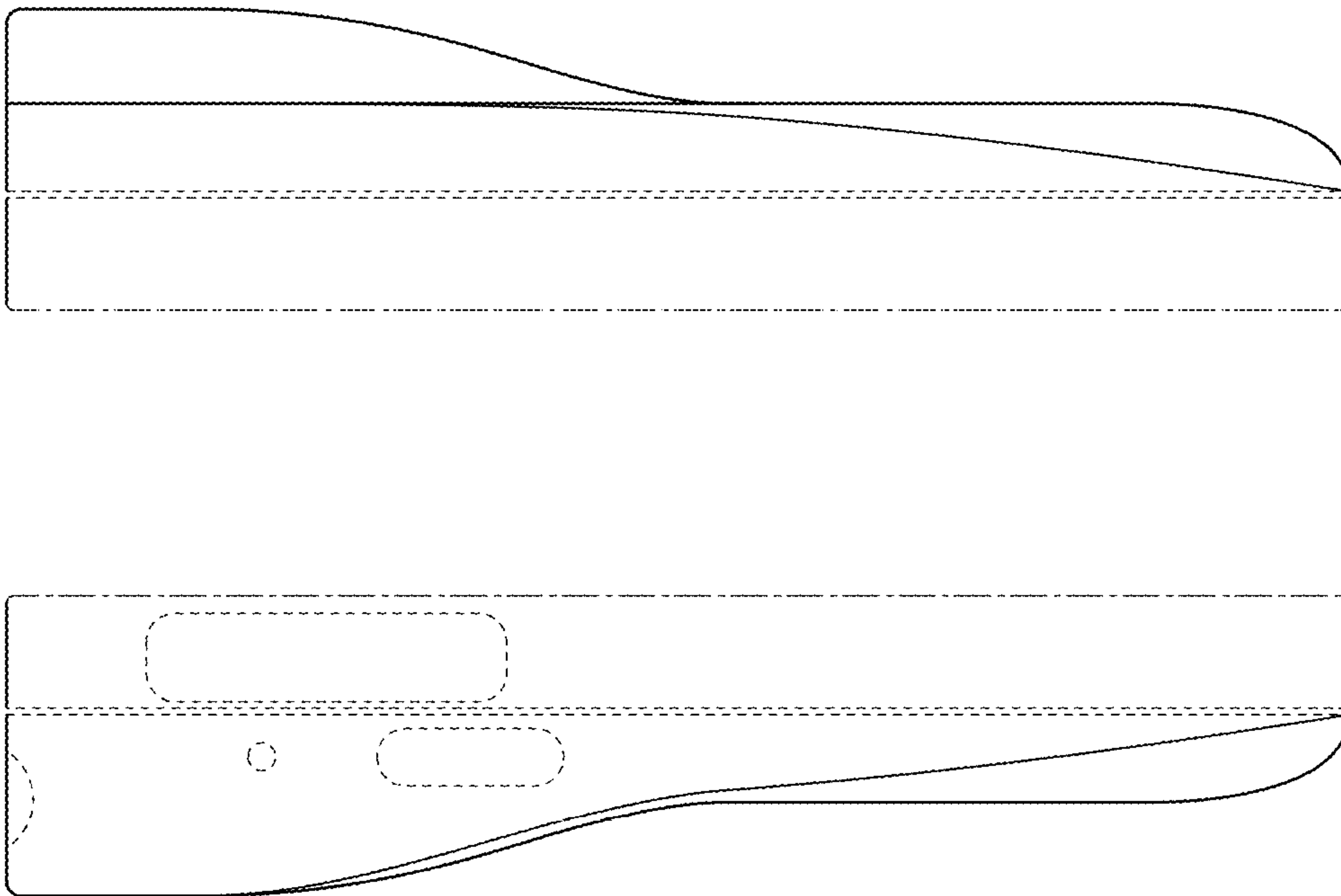


FIG. 9

FIG. 10

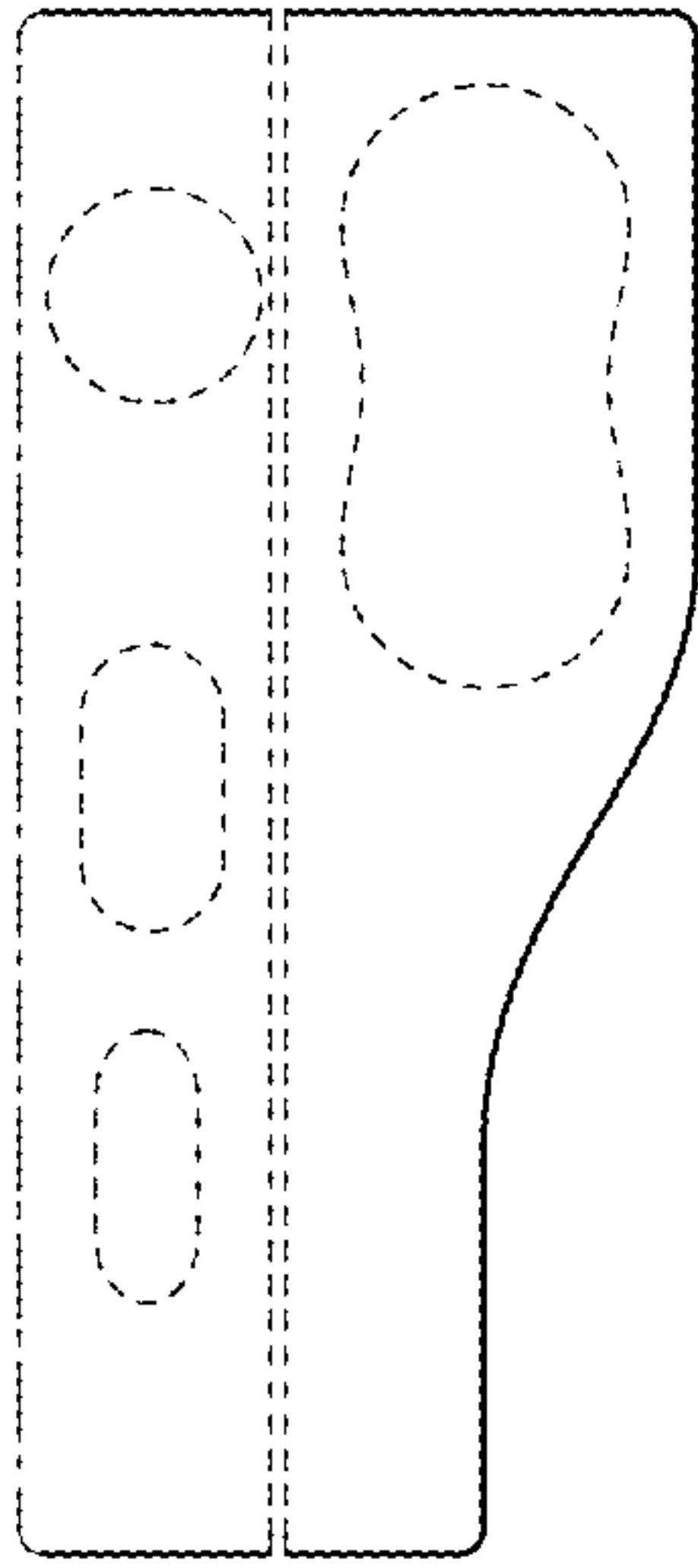


FIG. 11

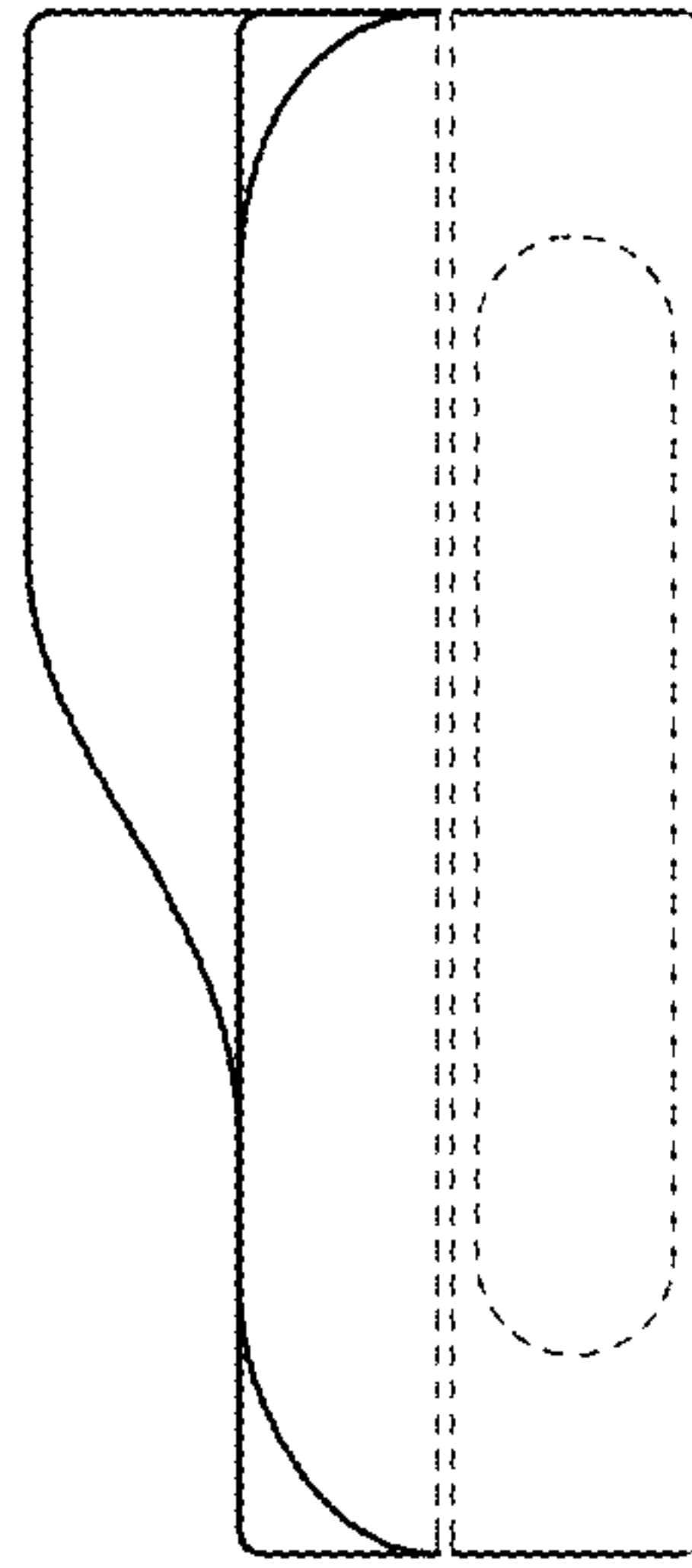


FIG. 12

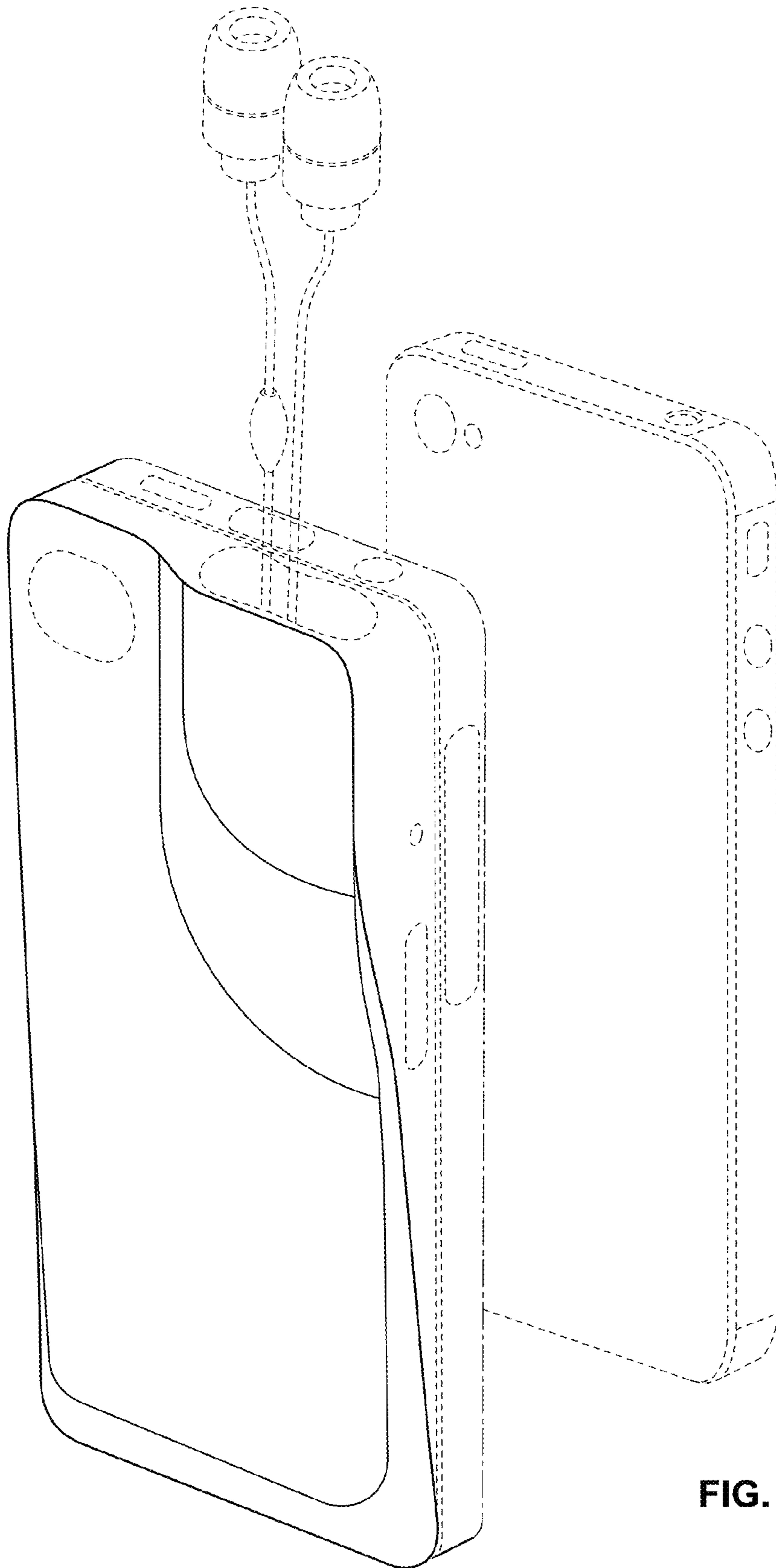


FIG. 13

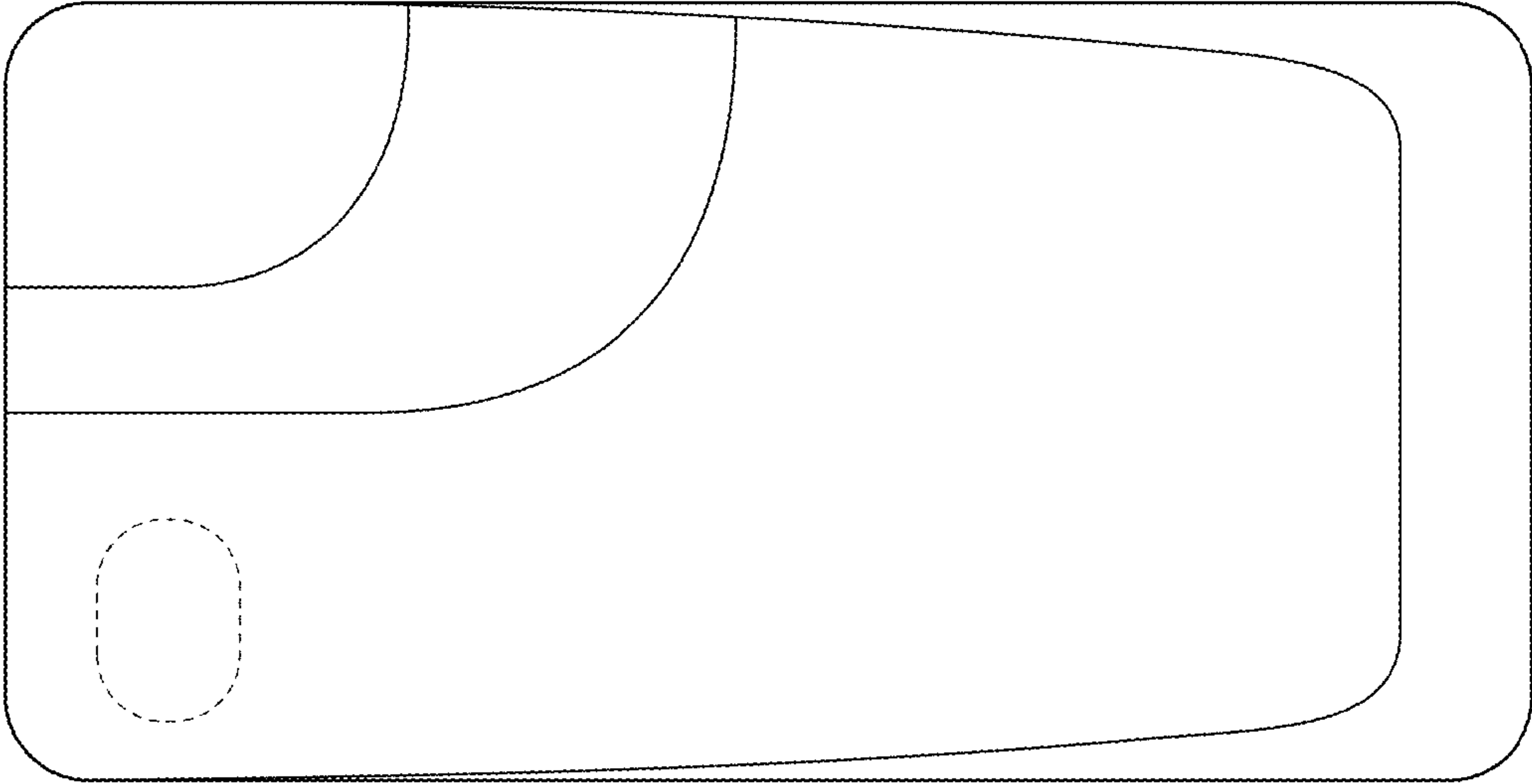


FIG. 14