



US00D772207S

(12) **United States Design Patent**
Angelini et al.

(10) **Patent No.:** **US D772,207 S**

(45) **Date of Patent:** **** Nov. 22, 2016**

(54) **MOUNTING UNIT FOR AUDIOVISUAL DEVICES**

CPC B60Q 1/2692; B60Q 1/2611; B60Q 1/26;
B60Q 1/0483; G09F 7/18; E04F 21/185;
H01Q 1/1228; H01Q 1/12; H01Q 1/246;
H01Q 1/1242; Y10T 403/34

(71) Applicants: **Sergio Angelini**, Lavagna (IT);
Gabriele Canella, Rapallo (IT); **Chiara Pareti**, Santo Stefano d'Aveto (IT)

See application file for complete search history.

(72) Inventors: **Sergio Angelini**, Lavagna (IT);
Gabriele Canella, Rapallo (IT); **Chiara Pareti**, Santo Stefano d'Aveto (IT)

(56) **References Cited**

(73) Assignee: **MARES S.P.A.**, Rapallo (IT)

U.S. PATENT DOCUMENTS

(**) Term: **15 Years**

(21) Appl. No.: **29/567,583**

5,195,817	A *	3/1993	Deccio	B62J 6/00 362/191
5,460,346	A *	10/1995	Hirsch	A45F 5/02 224/272
6,315,180	B1 *	11/2001	Watkins	B60R 11/04 224/275
D491,689	S *	6/2004	Krieger	D26/138
D567,583	S *	4/2008	Klotz	D7/412
D753,638	S *	4/2016	Tatem	D14/239
D755,839	S *	5/2016	Caro	D14/489

(22) Filed: **Jun. 10, 2016**

* cited by examiner

(30) **Foreign Application Priority Data**

Dec. 28, 2015 (EM) 002926741-0001

Primary Examiner — Randall Gholson

(51) **LOC (10) Cl.** **14-03**

(74) *Attorney, Agent, or Firm* — Themis Law

(52) **U.S. Cl.**
USPC **D14/239**

(57) **CLAIM**

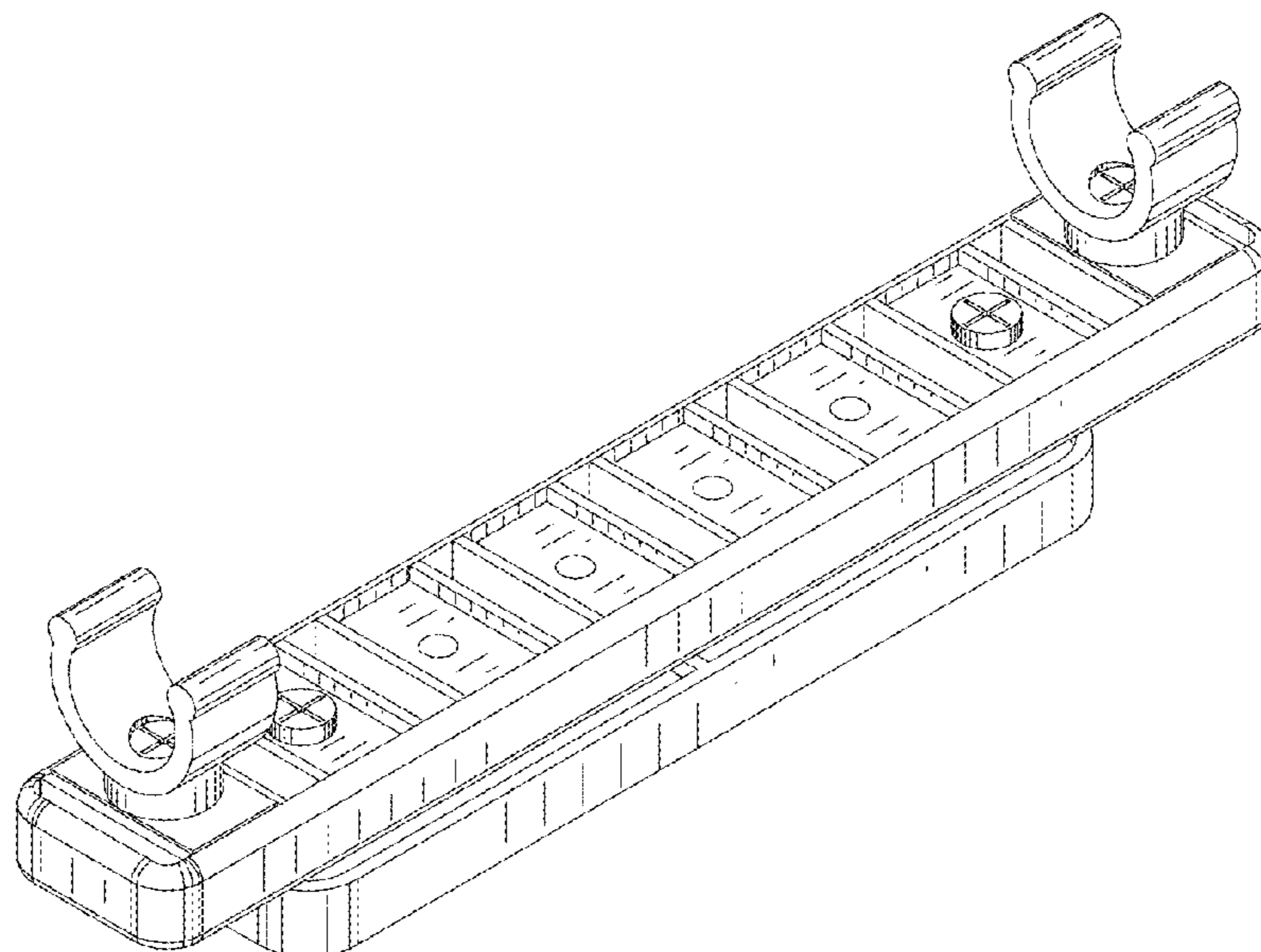
(58) **Field of Classification Search**
USPC D8/349, 354, 373, 380, 381, 366, 371;
D12/415; D14/125, 126, 204, 209.1,
D14/217, 224, 238, 239, 432, 433, 434, 447,
D14/483, 496; D16/214, 237, 242;
248/27.1, 27.3, 48.2, 121, 126, 200,
248/205.1, 207, 309.1, 310, 346.03, 450,
248/451, 453, 475.1, 489, 494, 518, 534,
248/671, 674, 675, 678, 691; 361/679.01,
361/679.02, 679.21, 679.26, 679.3, 679.4,
361/679.41, 679.55, 679.56, 679.58, 807,
361/808, 809, 825

The ornamental design for a mounting unit for audiovisual devices, as shown.

DESCRIPTION

FIG. 1 is a perspective view of a mounting unit for audiovisual devices showing our new design;
FIG. 2 is a front elevational view thereof;
FIG. 3 is a rear elevational view thereof;
FIG. 4 is a top plan view thereof;
FIG. 5 is a bottom plan view thereof;
FIG. 6 is a right side elevational view thereof; and,
FIG. 7 is a left side elevational view thereof.

1 Claim, 7 Drawing Sheets



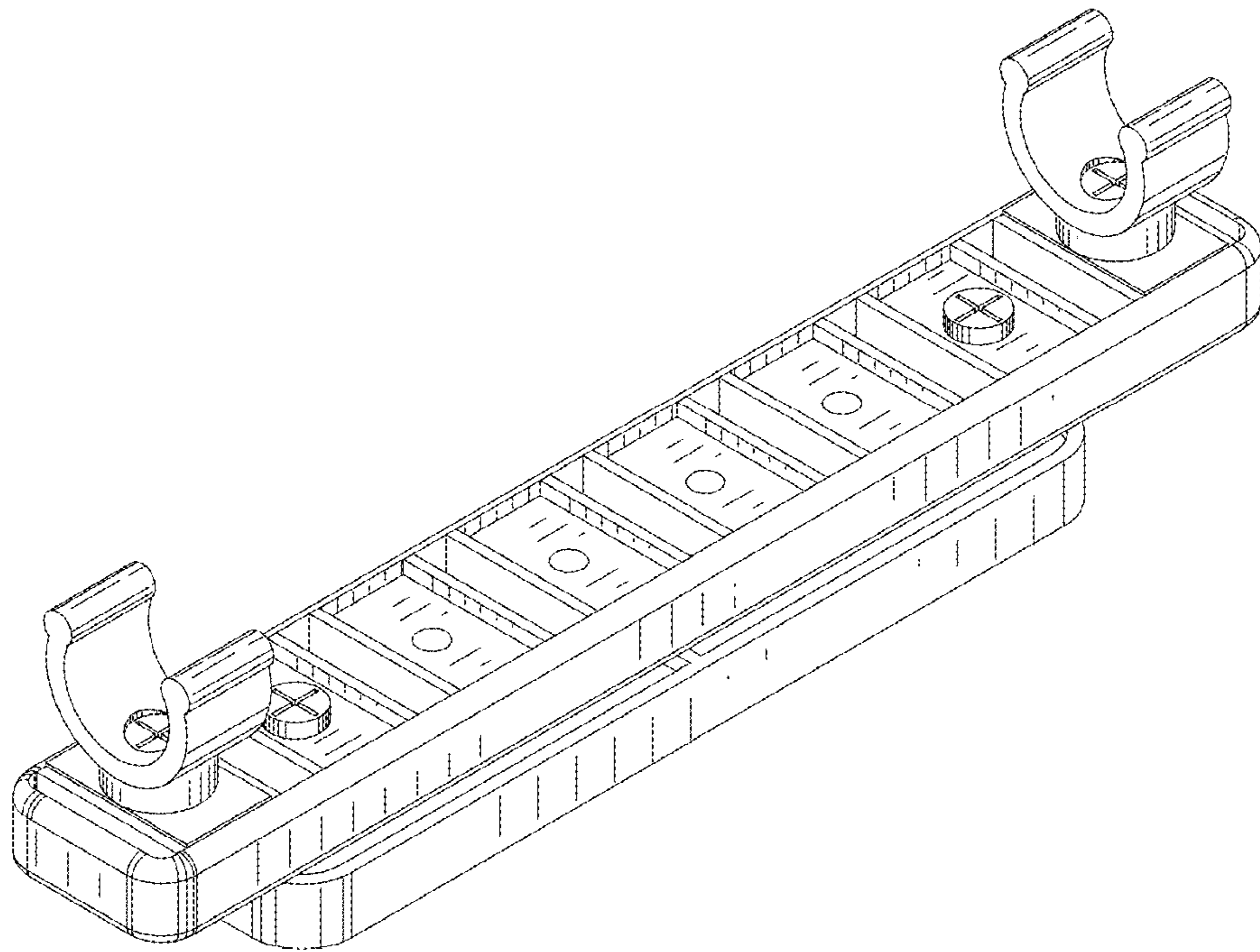


FIG. 1

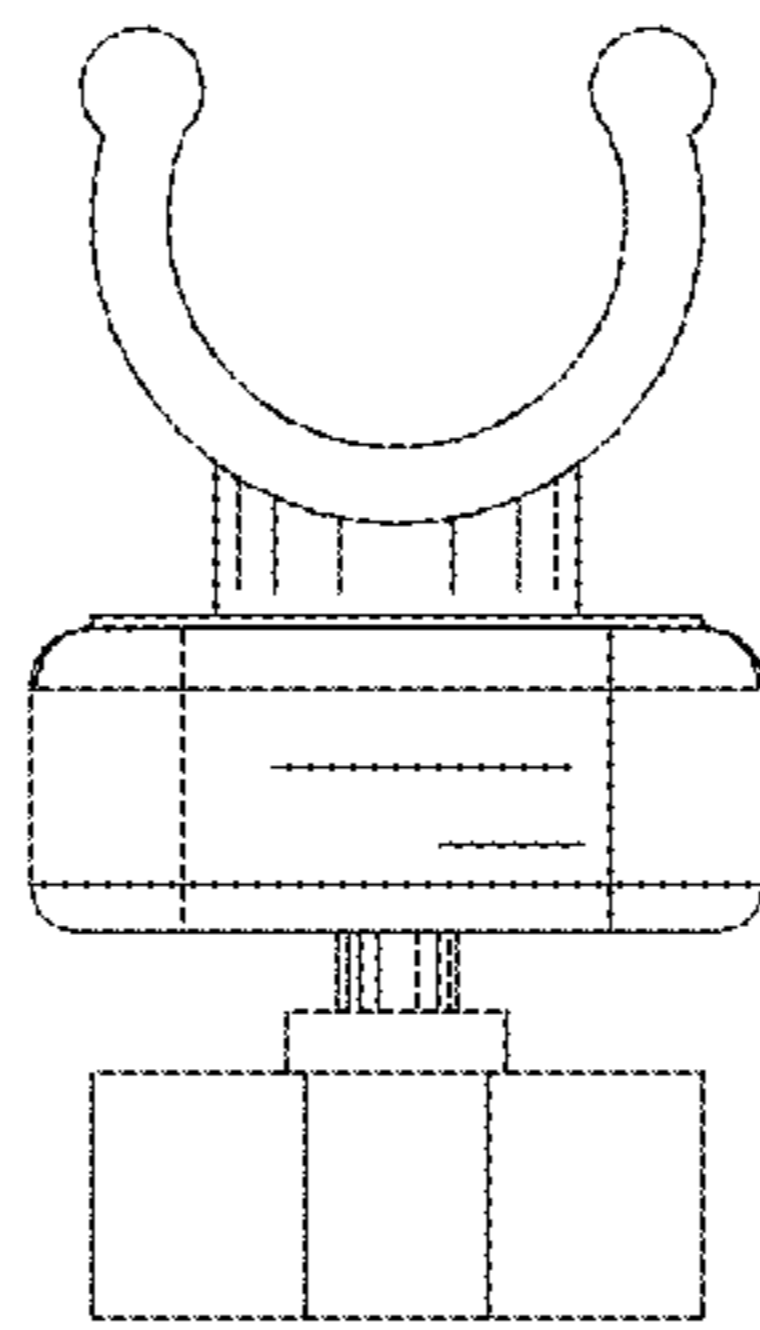


FIG. 2

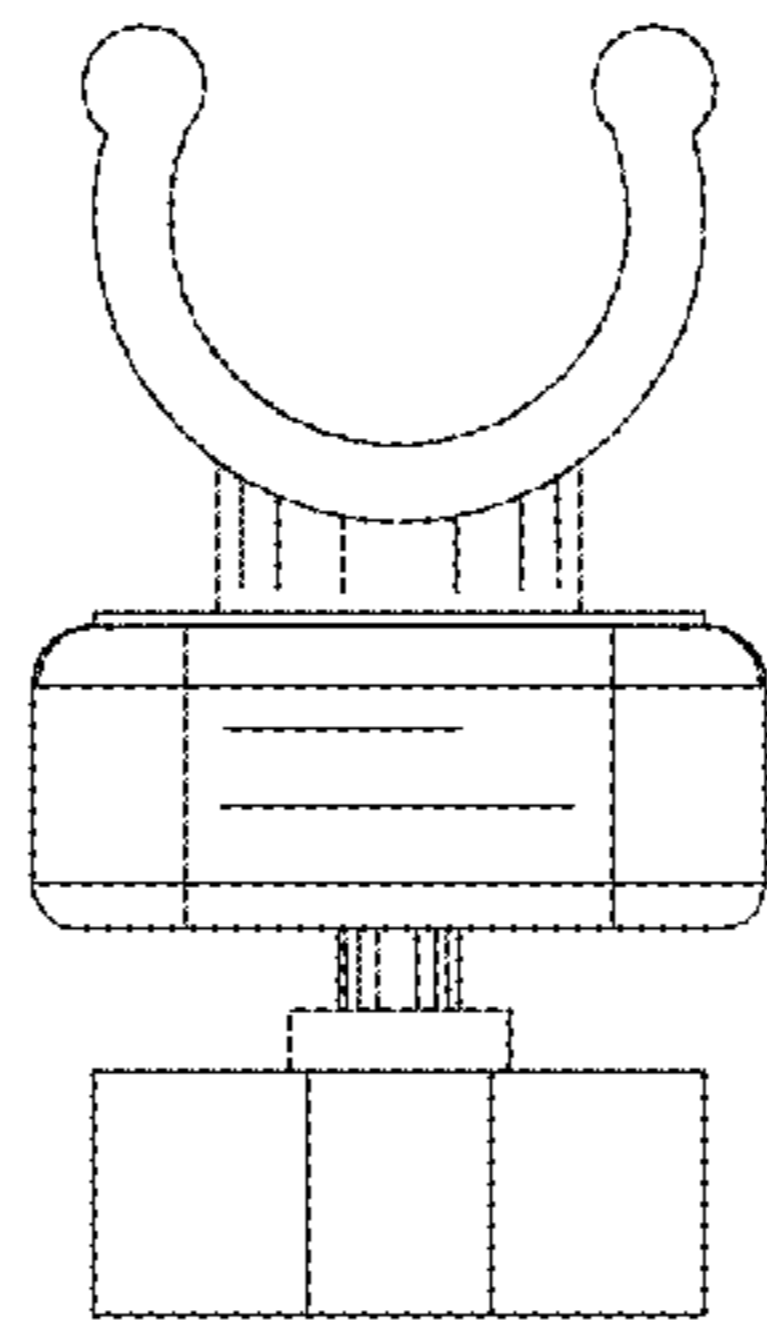


FIG. 3

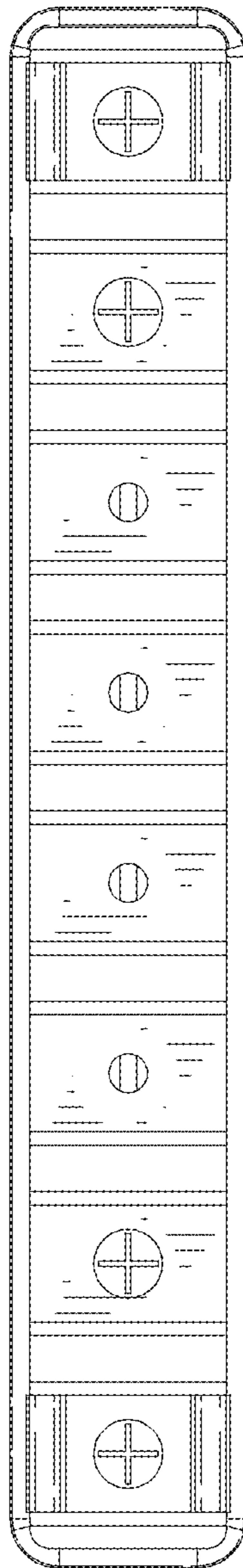


FIG. 4

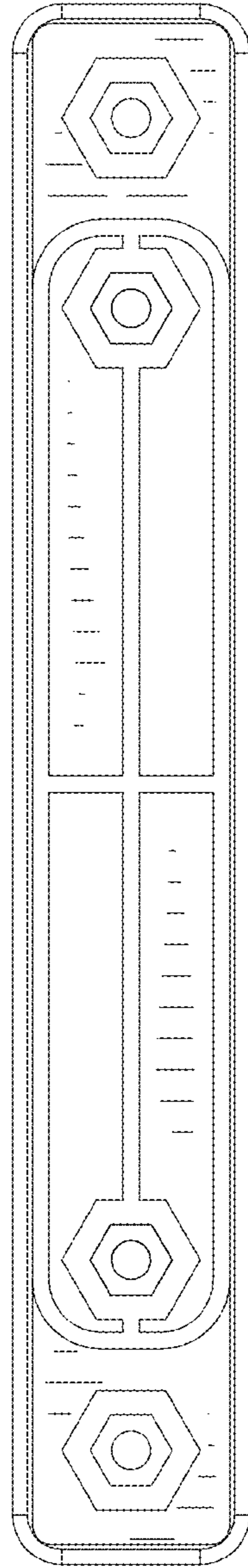


FIG. 5

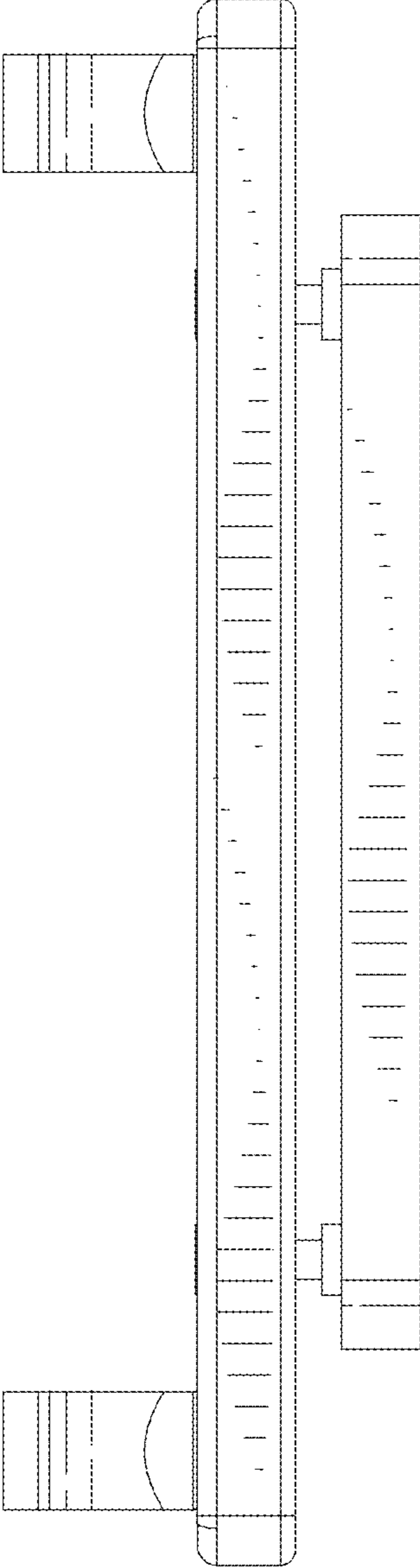


FIG. 6

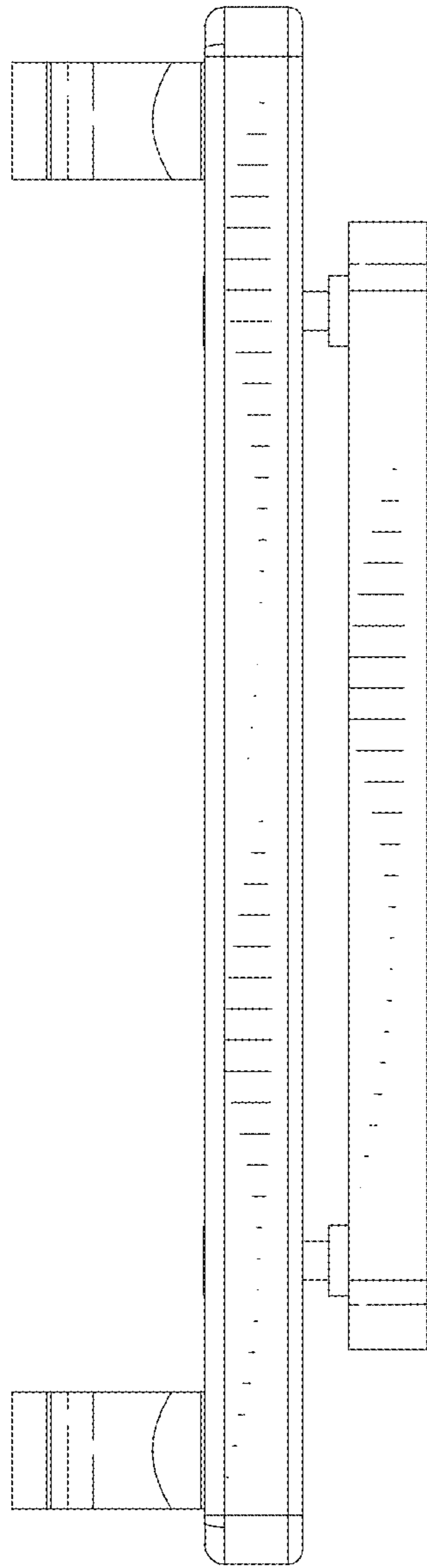


FIG. 7