



US00D772206S

(12) **United States Design Patent** (10) **Patent No.:** **US D772,206 S**  
**Lasier et al.** (45) **Date of Patent:** **\*\* Nov. 22, 2016**

(54) **COMMUNICATIONS POLE WITH ANTENNA-LUMINARY ASSEMBLY**

(71) Applicants: **David Lasier**, Atlanta, GA (US); **Jon VanDonkelaar**, Bellbrook, OH (US)

(72) Inventors: **David Lasier**, Atlanta, GA (US); **Jon VanDonkelaar**, Bellbrook, OH (US)

(73) Assignee: **ENERSPHERE COMMUNICATIONS LLC**, Atlanta, GA (US)

(\*\*) Term: **14 Years**

(21) Appl. No.: **29/498,457**

(22) Filed: **Aug. 4, 2014**

(51) **LOC (10) Cl.** ..... **14-03**

(52) **U.S. Cl.**  
USPC ..... **D14/230**

(58) **Field of Classification Search**  
USPC ..... D14/230-238; D19/186; D25/126;  
D21/316, 726, 756-757, 782;  
D22/137; D8/14, 71, 300, 321, 10;  
D32/49

CPC ..... H01Q 7/00; H01Q 13/10; H01Q 9/285;  
H01Q 19/30; H01Q 19/12; H01Q 1/38;  
B29D 22/00; B32B 17/08; A63D 15/08;  
A63D 15/086

See application file for complete search history.

(56) **References Cited**

**U.S. PATENT DOCUMENTS**

D13,618 S 2/1883 Schrag  
D27,516 S 8/1897 Brownlee  
672,646 A 4/1901 Mereness, Jr.  
D188,246 S \* 6/1960 Redman, Jr. .... D14/233

(Continued)

**FOREIGN PATENT DOCUMENTS**

JP D1117463 \* 8/2001  
JP D1117466 \* 8/2001

(Continued)

**OTHER PUBLICATIONS**

Antennas Direct | Heavy Duty Telescopic Mast, reviews 2015, online, <https://www.antennasdirect.com/store/Heavy-Duty-Telescopic-Mast.html>, [site visited Nov. 24, 2015 8:52:50 PM].\*

(Continued)

*Primary Examiner* — John Windmuller

*Assistant Examiner* — John R Yeh

(74) *Attorney, Agent, or Firm* — Thompson Hine LLP

(57) **CLAIM**

The ornamental design for communications pole with antenna-luminary assembly, as shown and described.

**DESCRIPTION**

FIG. 1 is a perspective view of the design in one environment;

FIG. 2 is a detail view of the portion indicated in FIG. 1;

FIG. 3 is a front view thereof;

FIG. 4 is a back view thereof;

FIG. 5 is a side view thereof;

FIG. 6 is a second side view thereof;

FIG. 7 is a top view thereof;

FIG. 8 is a bottom view thereof;

FIG. 9 is a perspective view of the design in another environment;

FIG. 10 is a front view thereof;

FIG. 11 is a back view thereof;

FIG. 12 is a side view thereof;

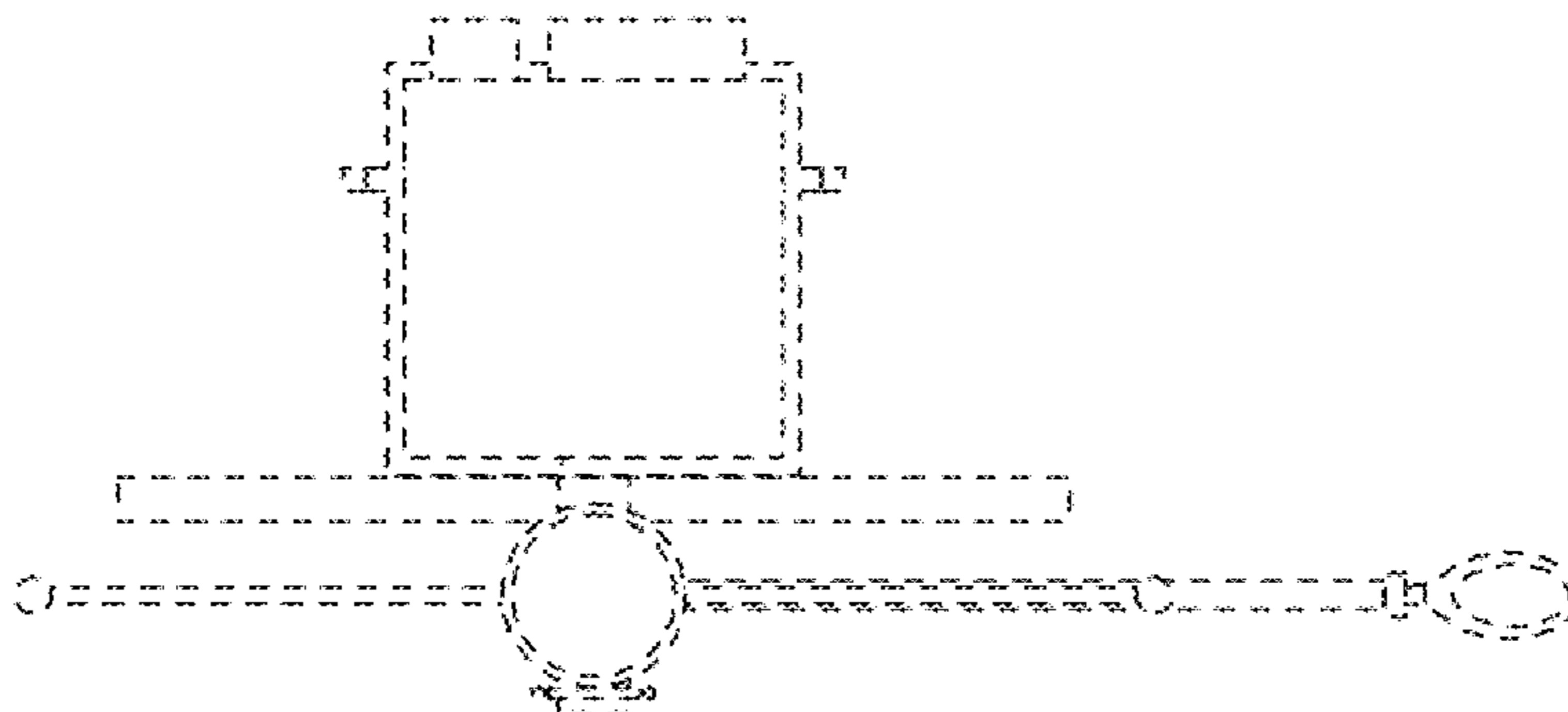
FIG. 13 is a second side view thereof;

FIG. 14 is a top view thereof; and,

FIG. 15 is a bottom view thereof.

The dashed lines are for illustrative purposes only and form no part of the claimed design. The dot-dash lines in the figures represent a boundary of the claim and form no part of the claimed design.

**1 Claim, 7 Drawing Sheets**



(56)

References Cited

U.S. PATENT DOCUMENTS

D259,501 S \* 6/1981 Salisbury ..... D21/725  
 4,388,787 A 6/1983 Milbright  
 D298,431 S \* 11/1988 Shimazaki ..... D14/234  
 D321,693 S \* 11/1991 Mailandt ..... D14/234  
 D331,927 S \* 12/1992 Birri ..... D14/155  
 D333,661 S \* 3/1993 Elliott ..... D14/236  
 D364,873 S \* 12/1995 Stephens ..... D14/230  
 D367,481 S \* 2/1996 Bacnik ..... D14/230  
 5,611,176 A 3/1997 Juengert et al.  
 5,641,141 A 6/1997 Goodwin  
 D383,138 S \* 9/1997 Harada ..... D14/230  
 D402,991 S \* 12/1998 Mosser ..... D14/230  
 D407,707 S \* 4/1999 Jones ..... D14/230  
 5,949,377 A \* 9/1999 Matsumoto ..... H01Q 1/084  
 343/702  
 5,963,178 A 10/1999 Jones  
 6,173,537 B1 \* 1/2001 Davidsson ..... E04H 12/08  
 343/890  
 6,222,503 B1 4/2001 Gietema et al.  
 6,335,709 B1 1/2002 Cummings  
 D457,929 S \* 5/2002 Ciesar ..... D21/725  
 6,483,470 B1 11/2002 Hohnstein et al.  
 D486,146 S 2/2004 Dearnley  
 6,820,389 B1 11/2004 Macchietto  
 6,912,408 B1 6/2005 O'Neill et al.  
 6,929,554 B1 8/2005 Wheeler  
 6,940,469 B2 9/2005 Göttl et al.  
 6,999,042 B2 2/2006 Dearnley et al.  
 7,090,382 B2 \* 8/2006 Haddad ..... E04H 12/02  
 362/414  
 D530,705 S \* 10/2006 Shen ..... D14/225  
 D533,166 S \* 12/2006 Marquez ..... D14/225  
 D557,690 S \* 12/2007 Lee ..... D14/228  
 D561,746 S \* 2/2008 Green ..... D14/233  
 7,406,298 B2 7/2008 Luglio et al.  
 D589,033 S \* 3/2009 Thusbass ..... D14/228  
 D598,011 S \* 8/2009 Thusbass ..... D14/225  
 D614,609 S \* 4/2010 Arpe ..... D14/225  
 D643,082 S 8/2011 Ruggiero  
 D649,960 S \* 12/2011 Yoneda ..... D14/225  
 8,281,547 B2 10/2012 Hettick  
 D687,420 S \* 8/2013 Trewartha ..... D14/225  
 D695,923 S \* 12/2013 Macura ..... D25/126  
 8,624,793 B2 1/2014 Caldwell et al.  
 8,749,449 B2 6/2014 Caldwell et al.  
 2005/0005862 A1 1/2005 Paquette  
 2011/0047900 A1 3/2011 Holmes

FOREIGN PATENT DOCUMENTS

JP D1246399 \* 8/2005  
 KR 300412032.0000 \* 4/2006

OTHER PUBLICATIONS

CheapKaraoke.Com: RSQ UHF 9400 Professional 4 Microphone System, Internet Wayback date Jun. 19, 2010, online, [http://web.archive.org/web/20100619073508/http://cheapkaraoke.com/Merchant2/merchant.mvc?Screen=PROD&Store\\_Code=C&Product\\_Code=RSQUHF9400&Category\\_Code=RSQ](http://web.archive.org/web/20100619073508/http://cheapkaraoke.com/Merchant2/merchant.mvc?Screen=PROD&Store_Code=C&Product_Code=RSQUHF9400&Category_Code=RSQ), [site visited Nov. 24, 2015 10:18:08 PM].\*

Commercial Mobile Cellular Mast Tower Solutions Product Brochure copyright 2015, online, [http://www.willburt.com/download/product\\_brochures/Commercial-Mobile-Cellular-Mast-Tower-Solutions-Product-Brochure.pdf](http://www.willburt.com/download/product_brochures/Commercial-Mobile-Cellular-Mast-Tower-Solutions-Product-Brochure.pdf), site visited Nov. 24, 2015.\*

Gearslutz.com neuman mic post, announcement date Aug. 14, 2011, online, <https://www.gearslutz.com/board/product-alerts-older-than-2-months/639089-neumann-introduces-three-new-digital-microphones-portable-two-channel-digital.html>, site visited Nov. 24, 2015.\*

Product Information featuring “Zero Site” Outdoor Small cell Site Solution, Launch at the Mobile World Congress 2014 by Ericsson (Feb. 21, 2014).

“Rising Above” webpage of Valmont Structures, [www.valmontstructures.com](http://www.valmontstructures.com) (retrieved from the internet on Jun. 4, 2015).

“Andrew® Metro Cell concealment solutions: Boost capacity in urban environments and minimize deployment costs” webpage of Commscope®, [www.commscope.com](http://www.commscope.com) (2013).

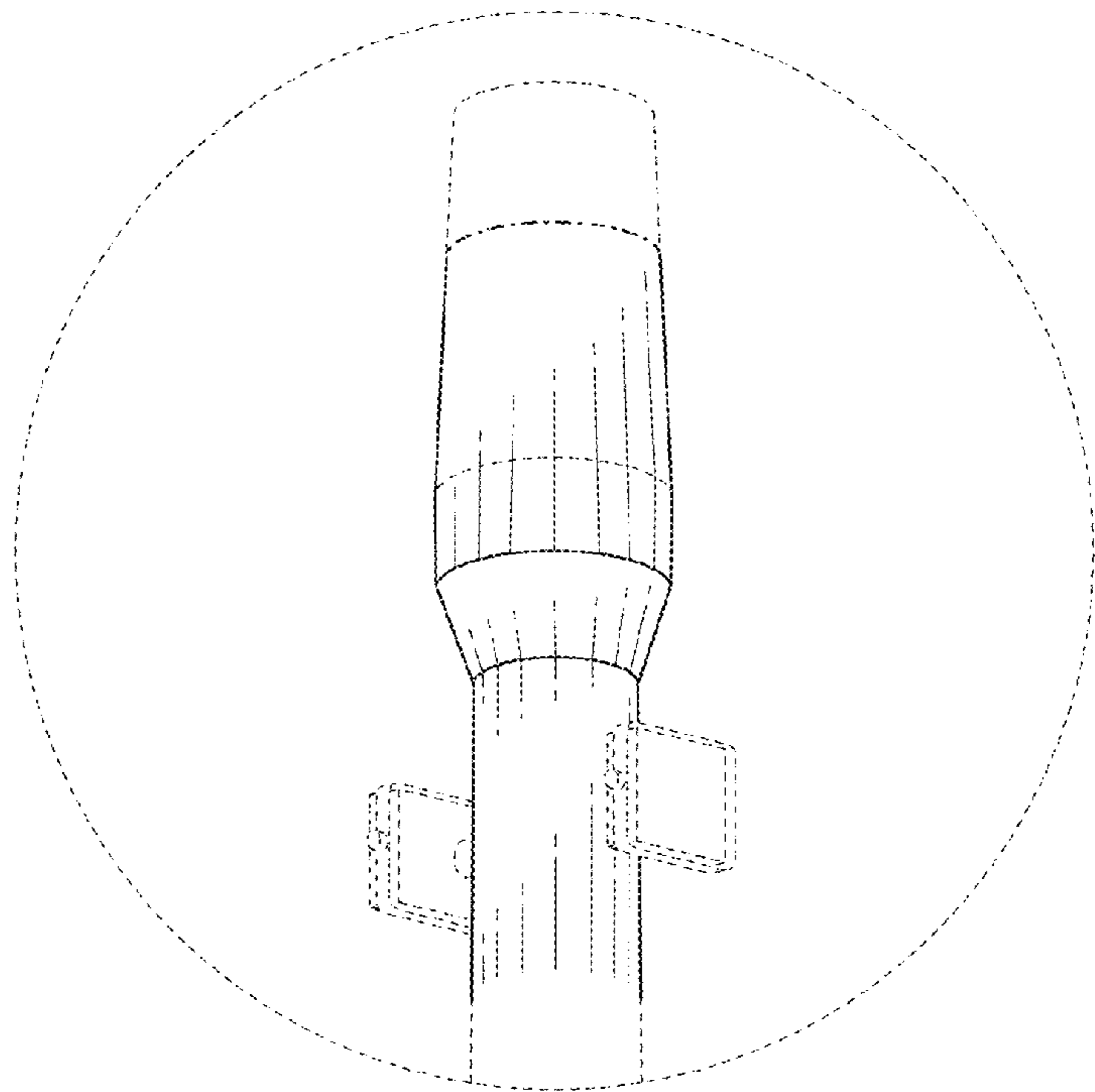
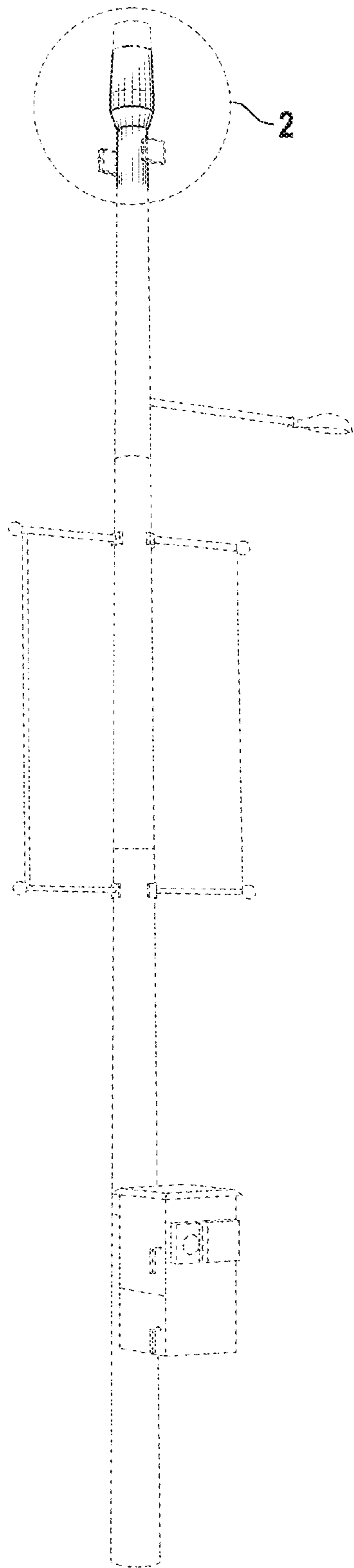
“Ericsson lights up base stations with Philips” by Global Telecoms Business, <http://www.globaltelecomsbusiness.com/Article/3312237/Search/Results/Ericsson-lights-up-base-stations-with-Philips.html?Keywords=lighting+as+a+service#.UwtGNnnCi9u> (Feb. 24, 2014).

Commercial Mobile Cellular Mast Tower Solutions Product Brochure copyright 2015, online, [http://www.willburt.com/download/product\\_brochures/Commercial-Mobile-Cellular-Mobile-Mast-Tower-Solutions-Product-Brochure.pdf](http://www.willburt.com/download/product_brochures/Commercial-Mobile-Cellular-Mobile-Mast-Tower-Solutions-Product-Brochure.pdf), [site visited Nov. 24, 2015].

Antennas Direct / Heavy Duty Telescopic Mast, reviews 2015, online, <https://www.antennadirect.com/store/Heavy-Duty-Telescopic-Mast.html>, [site visited Nov. 24, 2015 8:52:50 PM].

US, Non-Final Office Action, Design U.S. Appl. No. 29/498,455, filed Jan. 6, 2016.

\* cited by examiner



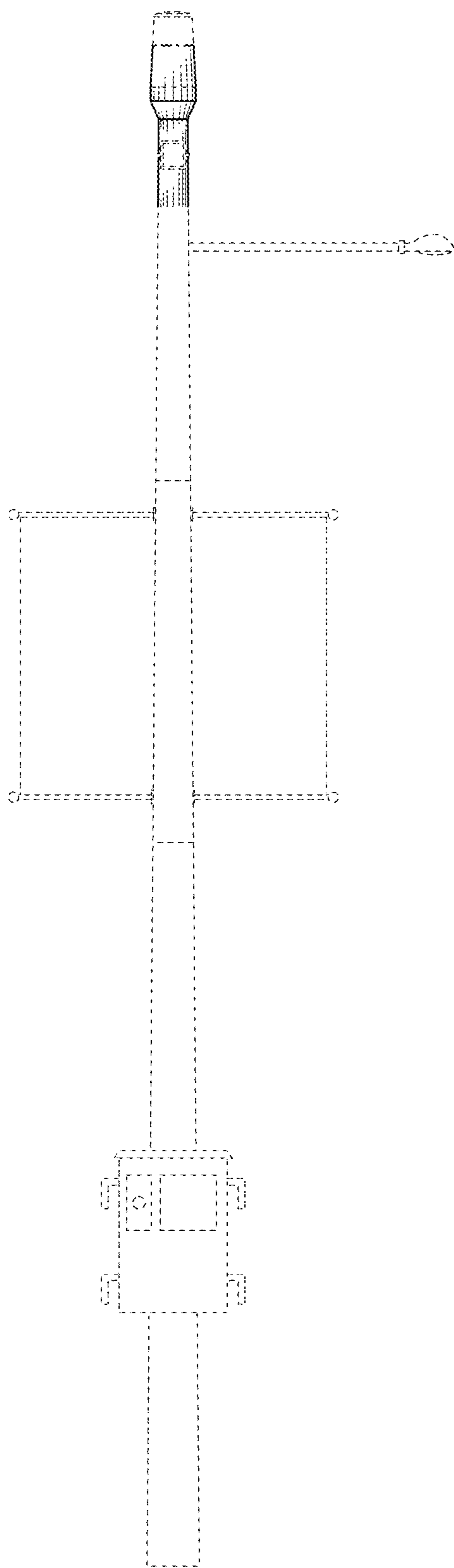


FIG. 3

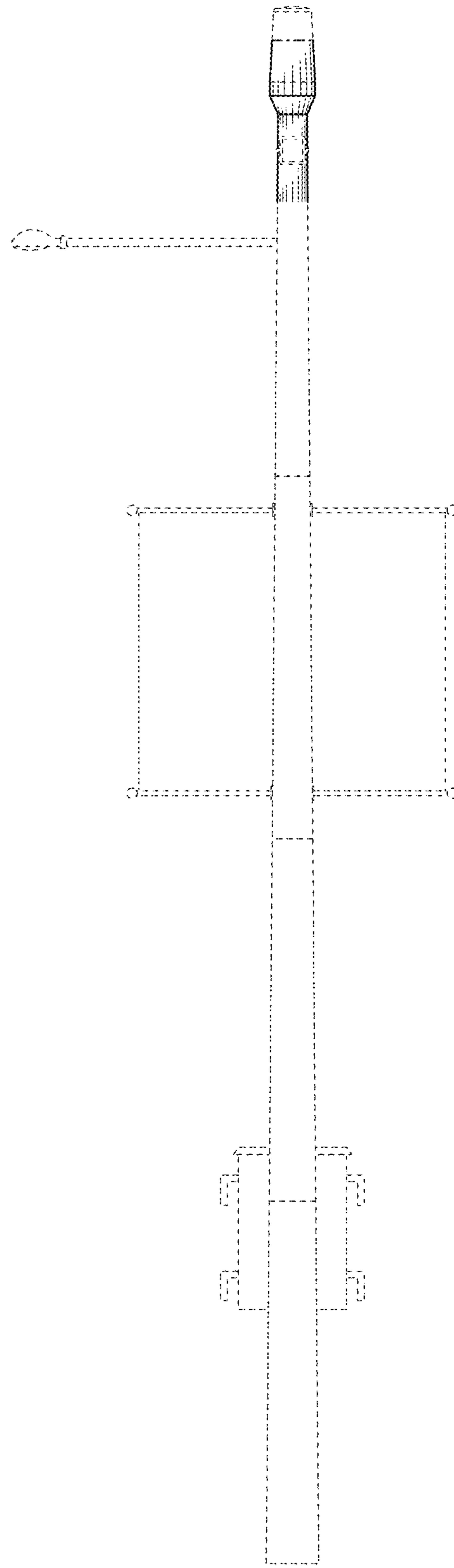


FIG. 4

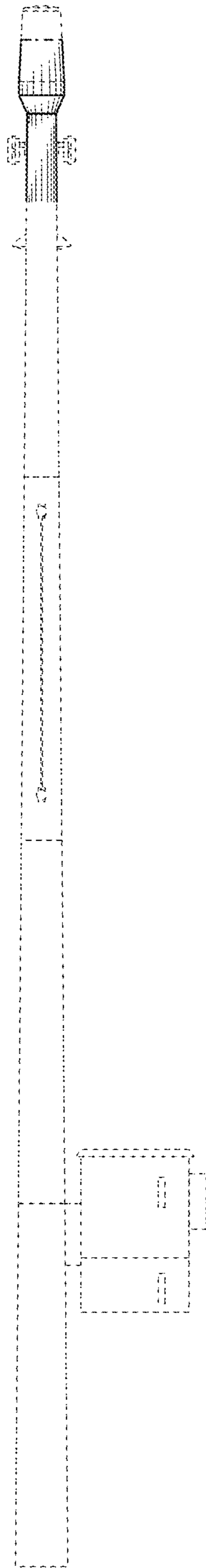


FIG. 5

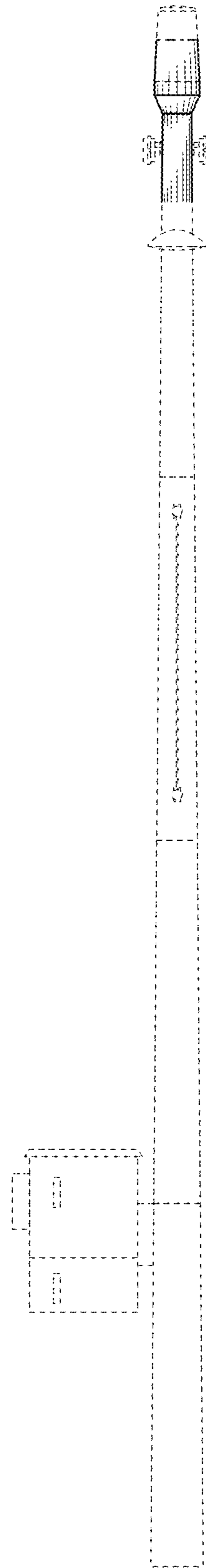


FIG. 6

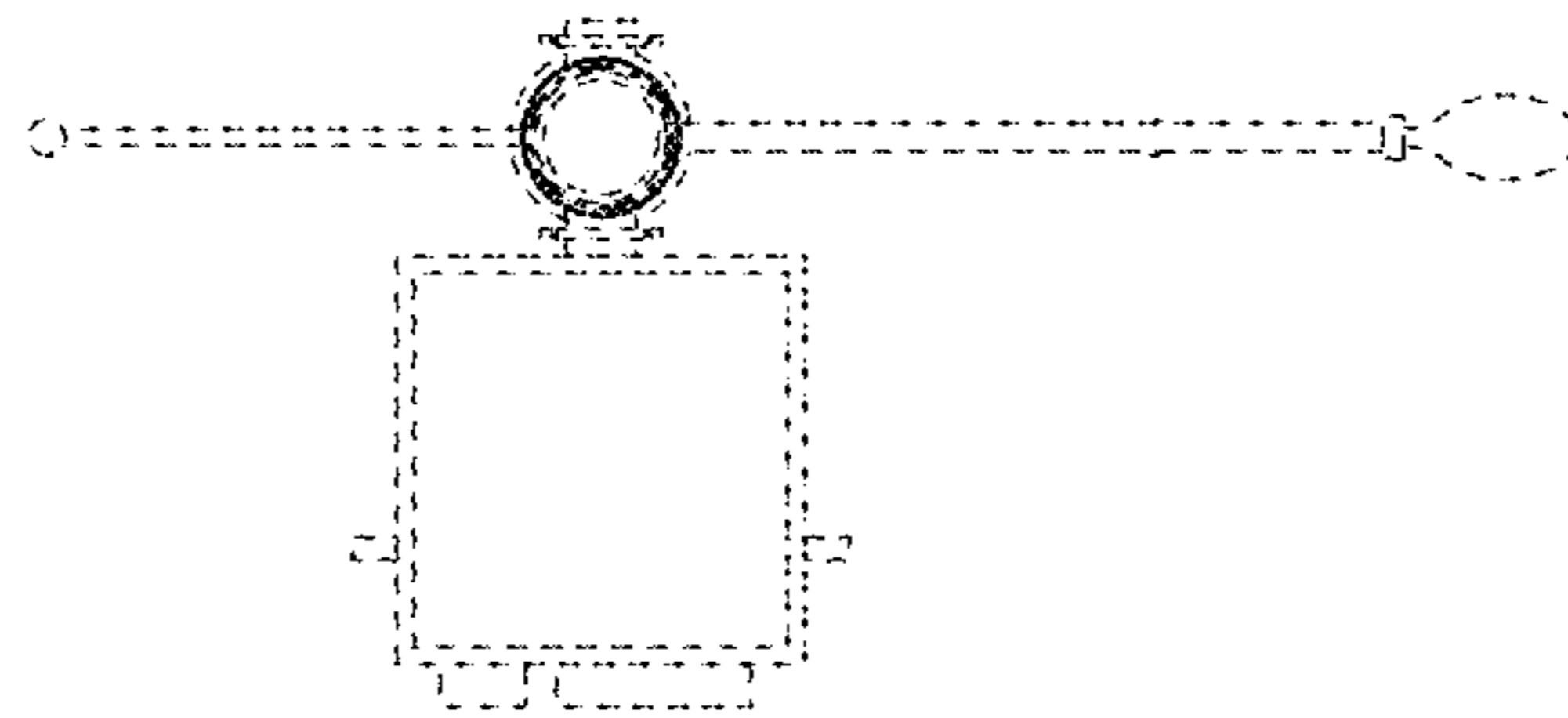


FIG. 7

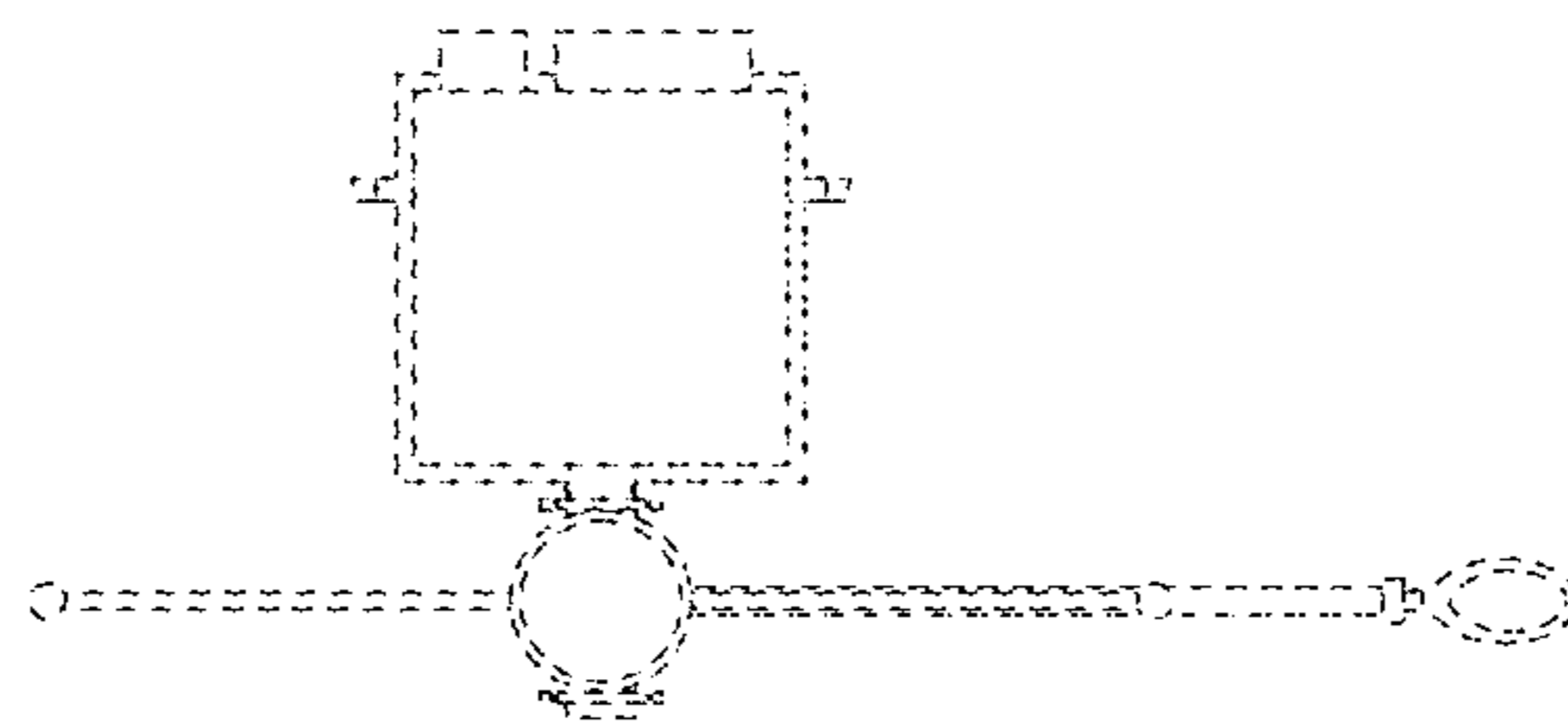


FIG. 8

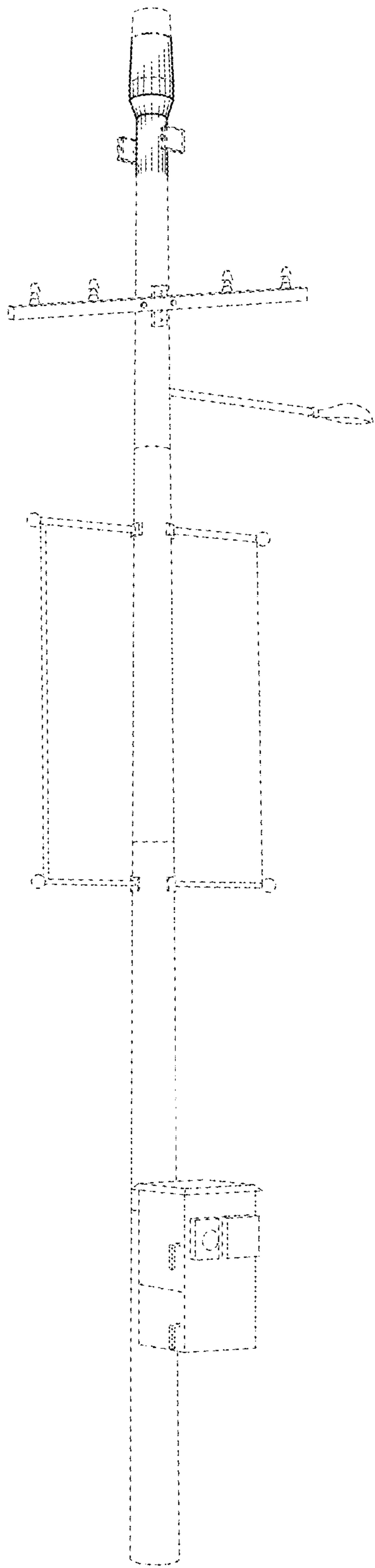


FIG. 9

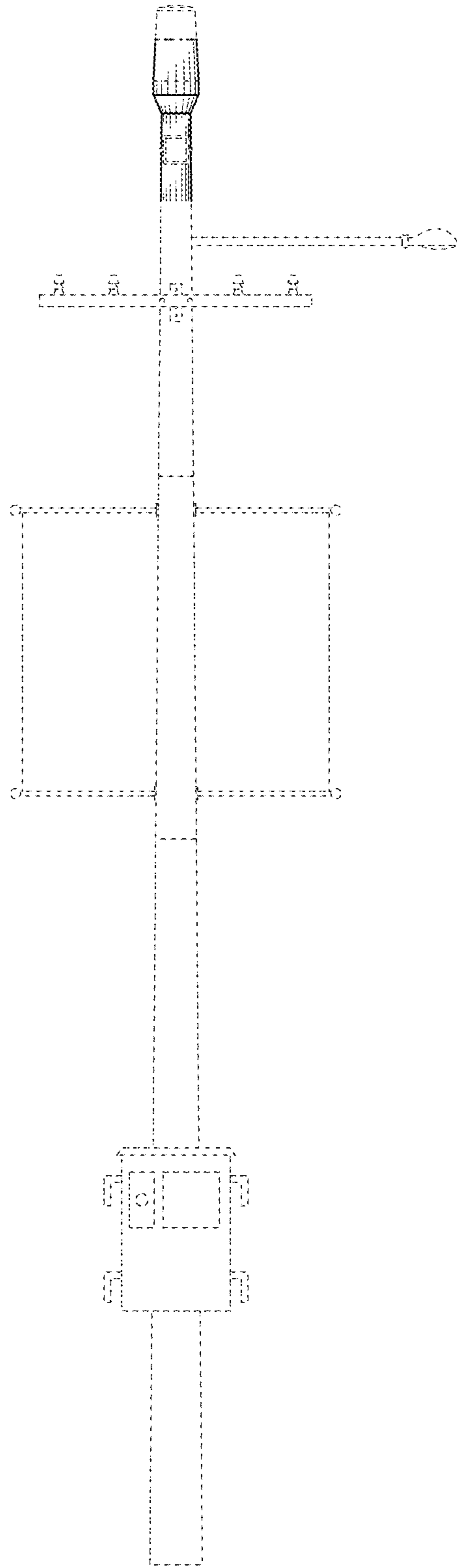


FIG. 10

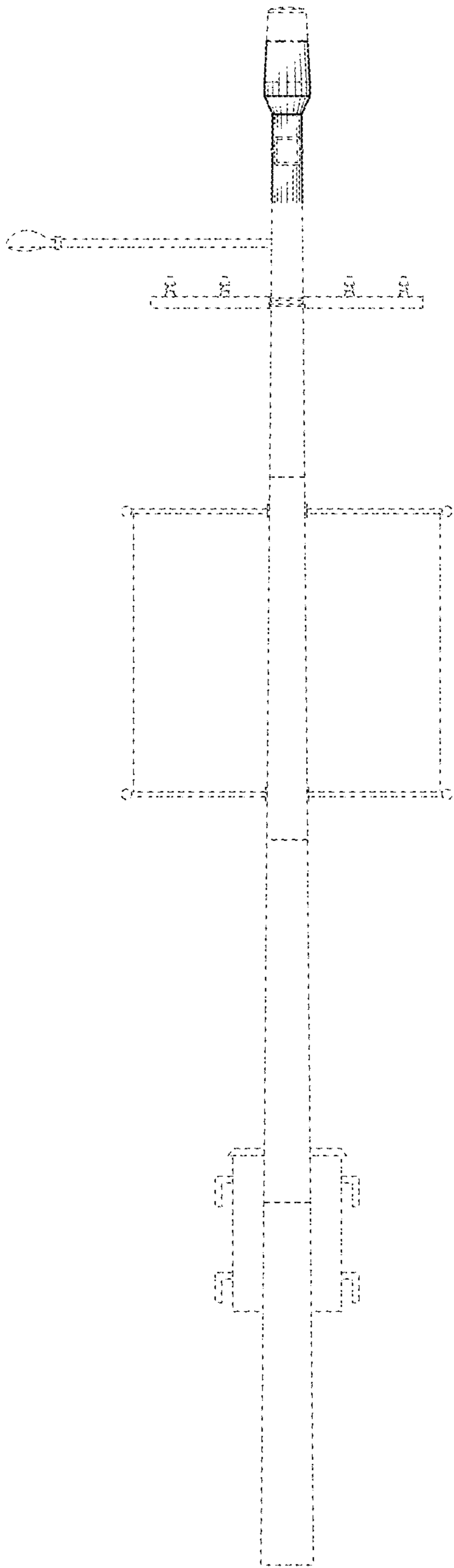


FIG. 11

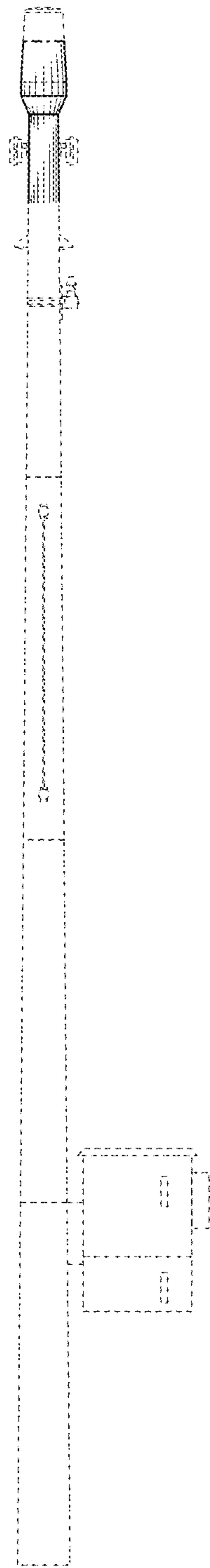


FIG. 12

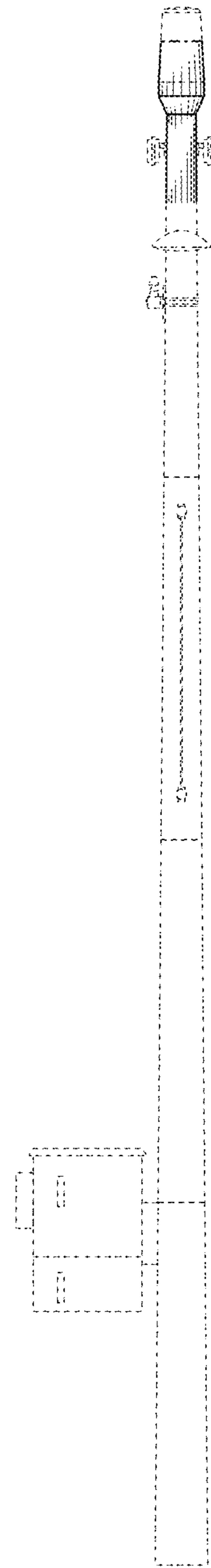


FIG. 13



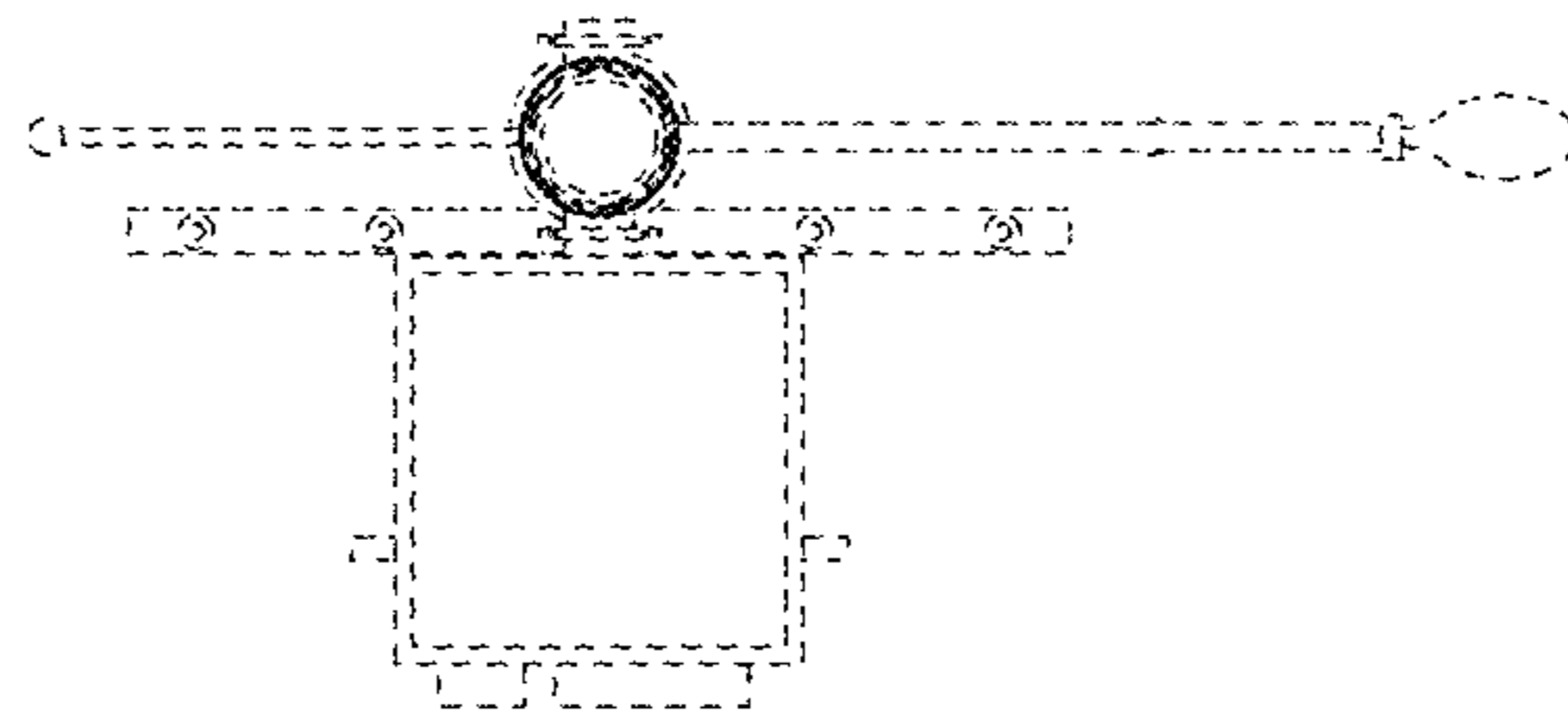


FIG. 14

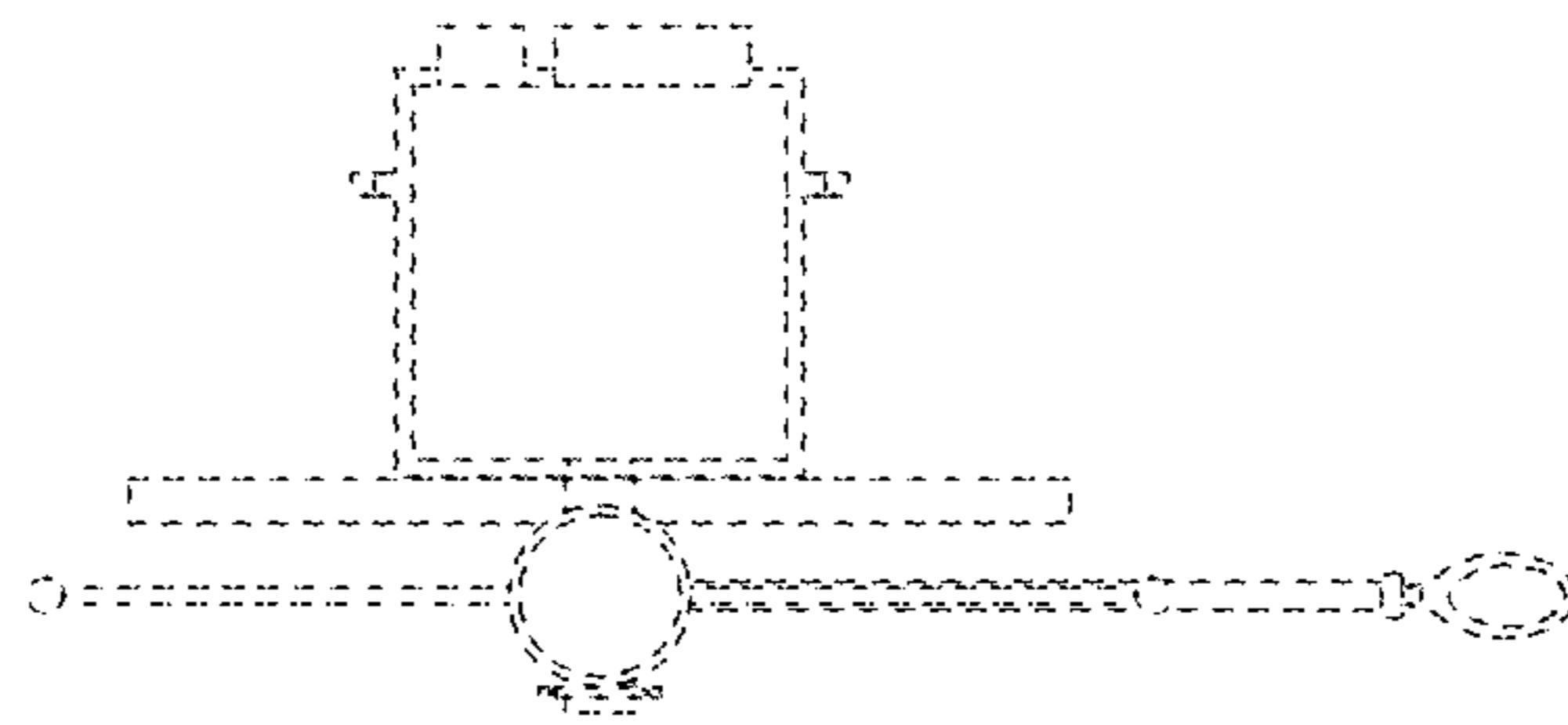


FIG. 15