



US00D772205S

(12) **United States Design Patent**
Sunwoo et al.

(10) **Patent No.:** **US D772,205 S**

(45) **Date of Patent:** **** Nov. 22, 2016**

(54) **MICROPHONE MOUNT**

(71) Applicant: **Freedman Electronics Pty. Ltd.**,
Silverwater, NSW (AU)

(72) Inventors: **Sun Kyung Sunwoo**, Sydney (AU);
See Lih Ong, Sydney (AU)

(**) Term: **14 Years**

(21) Appl. No.: **29/522,200**

(22) Filed: **Mar. 27, 2015**

(51) **LOC (10) Cl.** **14-01**

(52) **U.S. Cl.**
USPC **D14/229**

(58) **Field of Classification Search**
USPC D14/229, 224–228, 234; D16/208, 248;
D17/99, 22; D21/513; 181/158, 242;
381/26, 122, 355, 356, 361, 365, 366;
D8/355, 394, 396; 403/391; 248/74.3;
348/311.14; 52/687; 267/136;
455/90.3, 575.1
CPC H04R 25/00; H04R 1/02; H04R 9/08;
A47G 1/10

See application file for complete search history.

(56) **References Cited**

U.S. PATENT DOCUMENTS

1,343,526 A * 6/1920 Smith A47F 7/04
123/74 AP
2,029,051 A * 1/1936 Blevins A47G 23/0241
215/395
2,191,782 A * 2/1940 Valane A61G 7/05
211/74
2,767,989 A * 10/1956 Luebbers F16M 11/04
248/187.1
D194,151 S 11/1962 Deschamps et al.
3,287,690 A * 11/1966 Book H01H 85/202
248/316.7
3,387,811 A * 6/1968 Adams, Jr. B63C 9/22
114/365
D222,527 S * 11/1971 Ziaylek D8/354

D233,669 S * 11/1974 Plice D14/228
3,857,598 A * 12/1974 Jelich B65D 61/00
248/153
4,194,096 A 3/1980 Ramsey
4,514,598 A 4/1985 Plice
4,546,950 A 10/1985 Cech
4,577,070 A * 3/1986 Shulman H04R 1/08
248/104

(Continued)

OTHER PUBLICATIONS

Office action dated Mar. 16, 2016 in U.S. Appl. No. 29/522,199
(unpublished).

(Continued)

Primary Examiner — Paula Greene
(74) *Attorney, Agent, or Firm* — Saidman DesignLaw
Group, LLC

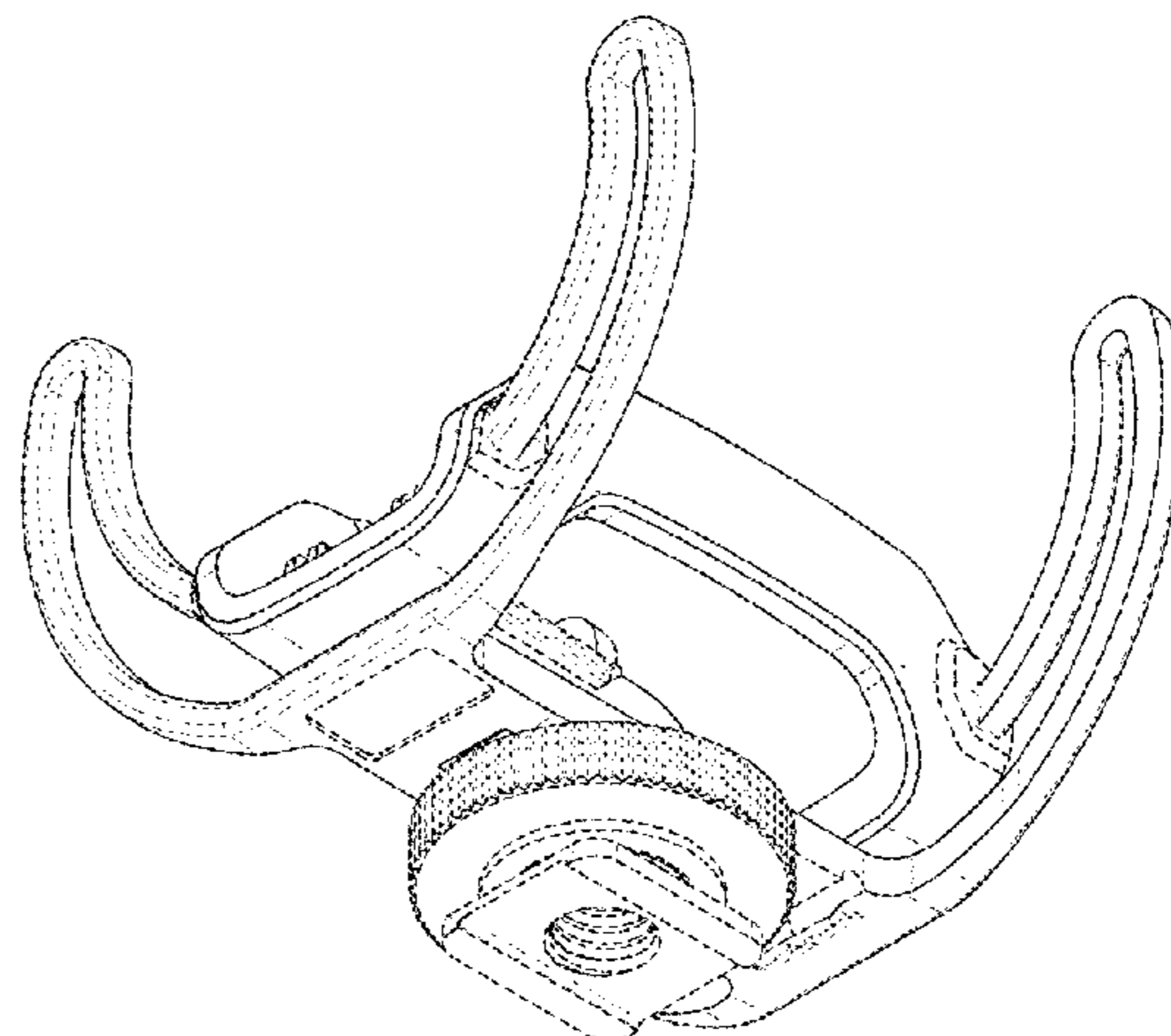
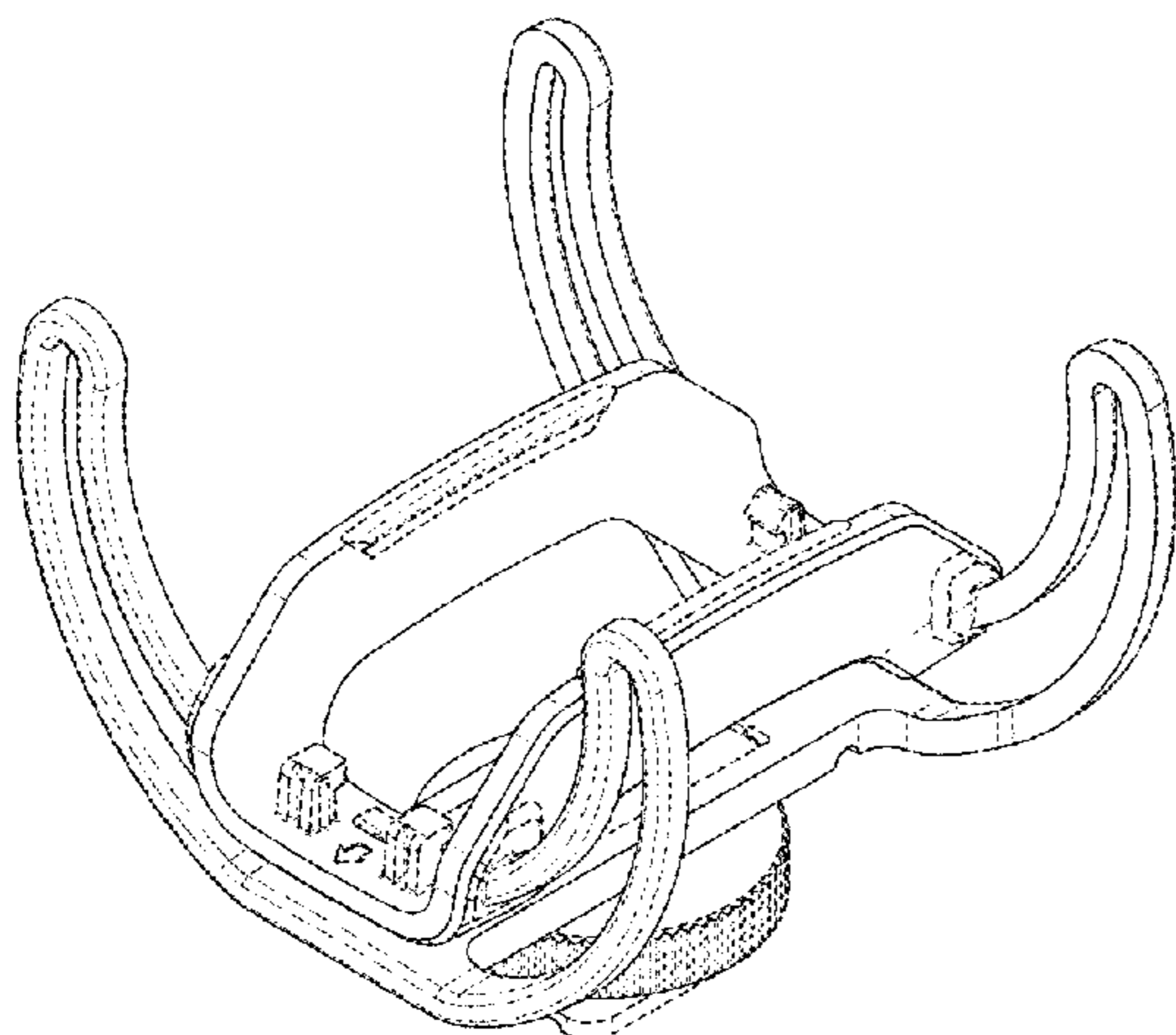
(57) **CLAIM**

The ornamental design for a microphone mount, as shown
and described.

DESCRIPTION

FIG. 1 is a top perspective view of a microphone mount
showing our new design;
FIG. 2 is a bottom perspective view thereof;
FIG. 3 is another top perspective view thereof;
FIG. 4 is another bottom perspective view thereof;
FIG. 5 is a front view thereof;
FIG. 6 is a rear view thereof;
FIG. 7 is a right side view thereof;
FIG. 8 is a left side view thereof;
FIG. 9 is a top view thereof; and,
FIG. 10 is a bottom view thereof.
The dashed broken lines illustrate structure or features
which form no part of the claimed design.
The drawings include CAD lines which represent contour,
not surface ornamentation.

1 Claim, 10 Drawing Sheets



(56)

References Cited

U.S. PATENT DOCUMENTS

D296,099 S * 6/1988 Kubota D14/227
 4,811,405 A 3/1989 Peiker
 4,929,973 A * 5/1990 Nakatani F16M 11/04
 248/177.1
 D313,802 S 1/1991 Peiker
 D314,325 S * 2/1991 Ziaylek, Jr. D8/373
 4,991,220 A 2/1991 Wolf
 5,031,872 A * 7/1991 Vance F16F 9/0481
 248/187.1
 D326,927 S * 6/1992 Catalina D26/138
 5,303,304 A * 4/1994 Lee G11B 31/006
 348/373
 D367,999 S * 3/1996 McCallum D6/553
 5,642,557 A 7/1997 Clews
 5,921,520 A * 7/1999 Wisniewski F16L 3/12
 248/300
 D427,586 S 7/2000 Cozzolino et al.
 D427,995 S 7/2000 Cozzolino et al.
 6,220,557 B1 * 4/2001 Ziaylek A62C 13/78
 248/154
 D454,776 S * 3/2002 Padrun D8/354
 6,459,802 B1 10/2002 Young
 6,768,804 B1 7/2004 Isvan
 D506,385 S * 6/2005 Brown D8/394
 6,922,475 B2 * 7/2005 Hsieh H04R 1/08
 381/361
 D511,192 S 11/2005 Nishihara
 D516,642 S 3/2006 Swiszc et al.
 D516,645 S 3/2006 Chung
 D516,646 S 3/2006 Yang
 D518,862 S 4/2006 Swiszc et al.
 D563,396 S * 3/2008 Probst D14/228
 D569,842 S 5/2008 Yang
 D586,791 S 2/2009 Birger et al.
 D591,785 S 5/2009 Fong
 D592,190 S 5/2009 Birger
 D602,920 S 10/2009 Fleischer et al.
 D603,381 S 11/2009 Fleischer et al.
 D605,183 S 12/2009 Fleischer et al.
 D606,521 S 12/2009 Birger
 D609,695 S 2/2010 Cigliano et al.
 D619,452 S 7/2010 Ollila
 D619,998 S 7/2010 Birger
 D620,926 S 8/2010 Wai
 D645,849 S 9/2011 Kim et al.
 8,054,336 B2 11/2011 Vanderwilt et al.
 D650,773 S 12/2011 Kim et al.
 D653,649 S 2/2012 Yang et al.
 8,117,796 B2 2/2012 Kodi

8,121,333 B2 2/2012 Woolf et al.
 D659,200 S 5/2012 Wicken
 D661,284 S 6/2012 Brandis et al.
 D664,125 S 7/2012 Koch et al.
 D669,135 S 10/2012 Garfinkle
 D676,428 S 2/2013 Trewartha et al.
 D687,420 S 8/2013 Trewartha et al.
 8,534,629 B2 * 9/2013 Hennings B63C 11/22
 248/297.31
 D703,193 S 4/2014 Trewartha et al.
 D708,600 S * 7/2014 Trewartha D14/225
 8,783,636 B2 7/2014 Okita
 D710,831 S * 8/2014 Cooper D14/229
 D711,718 S 8/2014 Francaviglia
 8,814,118 B2 8/2014 Okita et al.
 D719,140 S * 12/2014 Sanhui D14/225
 D723,363 S 3/2015 Symons
 D730,327 S * 5/2015 Mun D14/229
 D735,171 S * 7/2015 Sunwoo D14/225
 D736,189 S * 8/2015 Cooper D14/229
 D737,252 S * 8/2015 Fereday D14/225
 D737,804 S * 9/2015 Fereday D14/229
 D745,495 S * 12/2015 Fereday D14/229
 2003/0035561 A1 * 2/2003 Hsieh H04R 1/08
 381/361
 2003/0197316 A1 * 10/2003 Baumhauer, Jr. H04R 1/083
 267/136
 2004/0157581 A1 8/2004 Park et al.
 2006/0082655 A1 4/2006 Vanderwilt et al.
 2007/0195983 A1 8/2007 Klemme
 2009/0016558 A1 * 1/2009 Woolf H04R 1/08
 381/368
 2010/0239113 A1 9/2010 Browne
 2013/0019877 A1 1/2013 Sklar
 2013/0061430 A1 * 3/2013 Okita H01F 7/0252
 24/303
 2014/0233764 A1 8/2014 Mathis
 2014/0270311 A1 9/2014 Parker et al.

OTHER PUBLICATIONS

Videomic Pro Shockmount. dvinfo.net (online forum). 1 pages.
 Uploaded Oct. 2008 [retrieved May 16, 2016]. Retrieved from
 Internet: <<http://www.dvinfo.net/forum/all-things-audio/509637-do-any-other-rode-lovers-hate-videomic-pro-shockmount.html>>.
 Sennheiser, MKE400, Apr. 2008.
 U.S. Appl. No. 29/522,199 of Sun Kyung Sunwoo et al., filed Mar.
 27, 2015. (Unpublished).
 U.S. Appl. No. 29/480,875 of Peter Noel Cooper et al., filed Jan. 30,
 2014. (Unpublished).

* cited by examiner

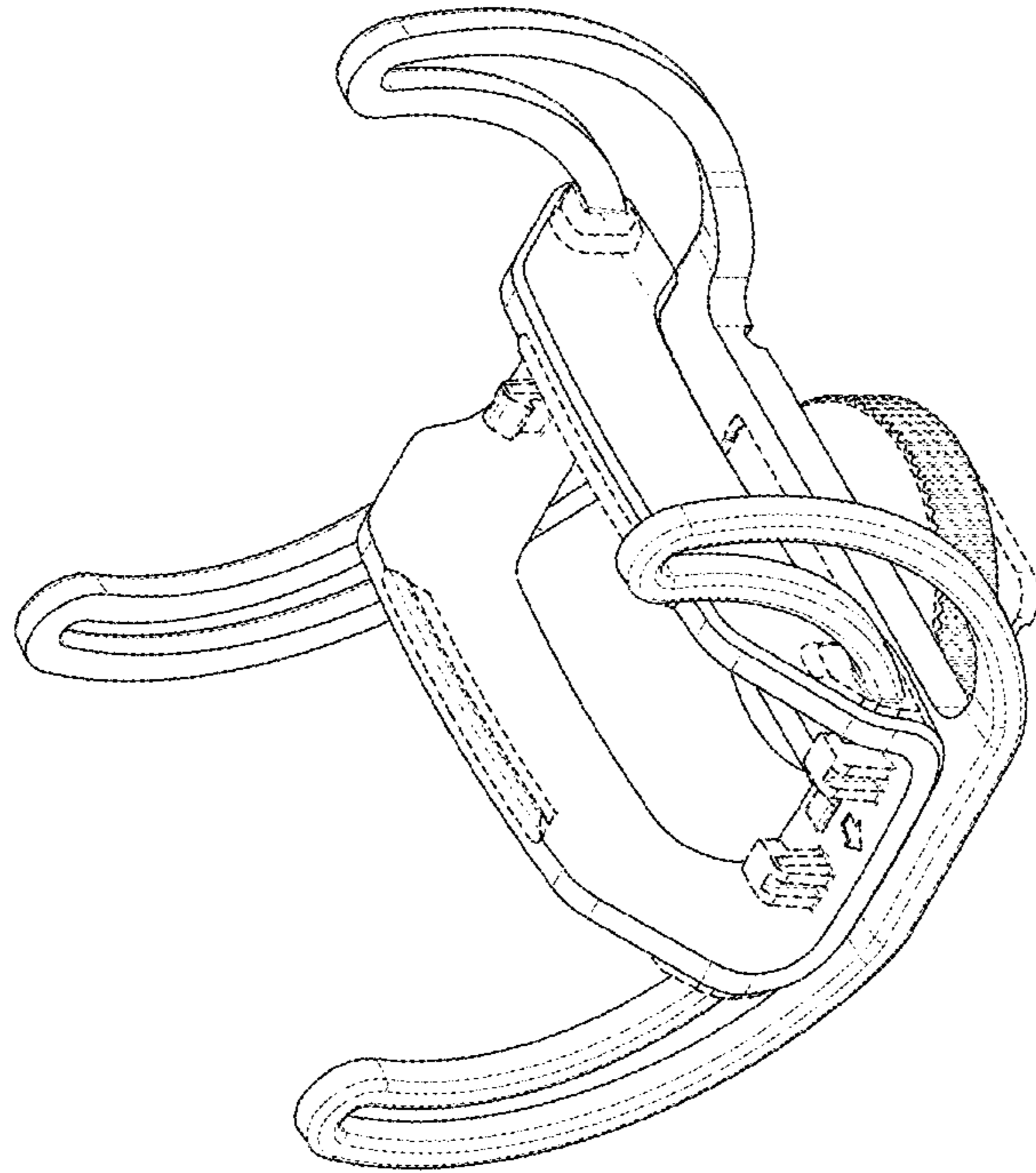


FIG. 1

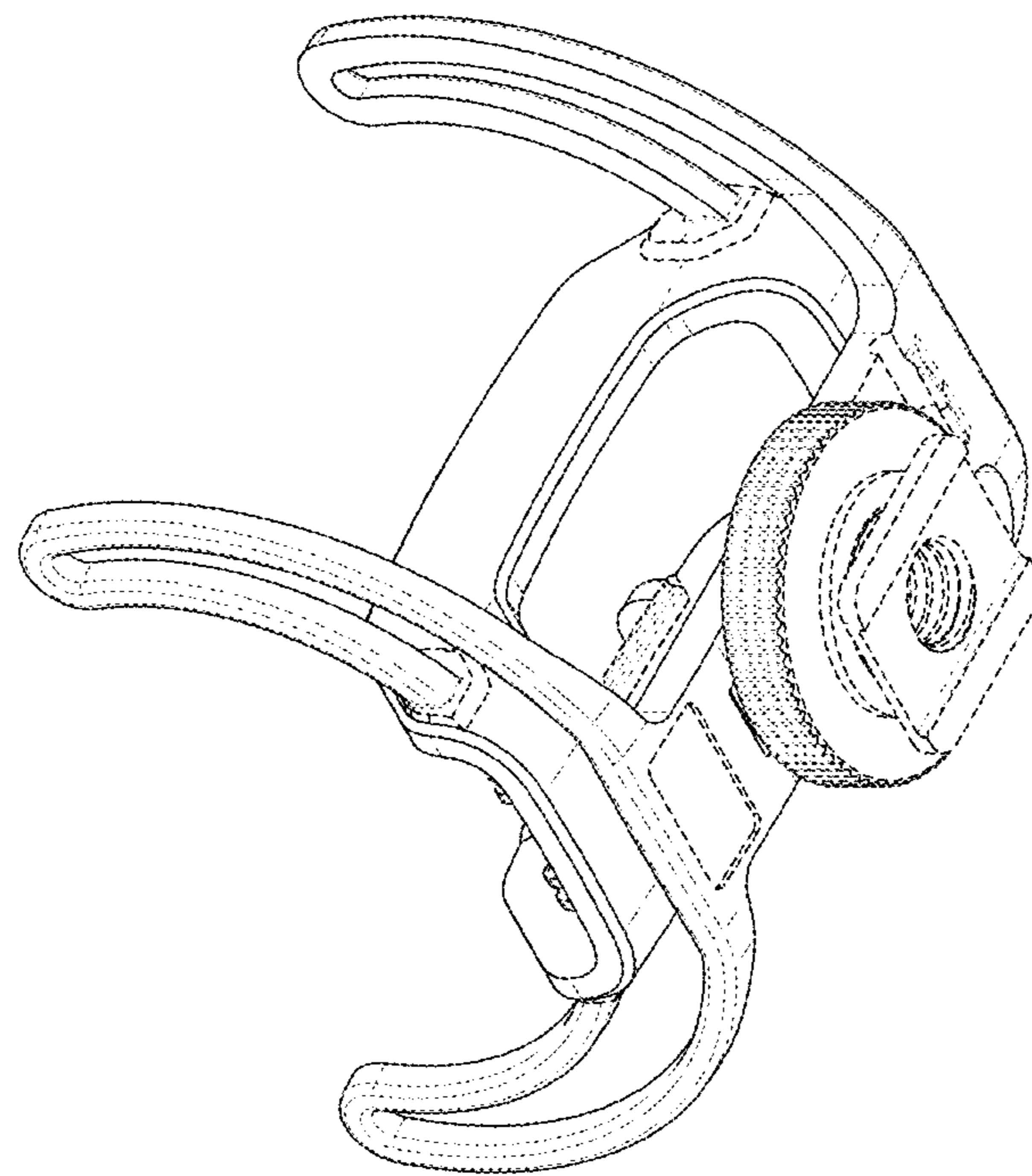


FIG. 2

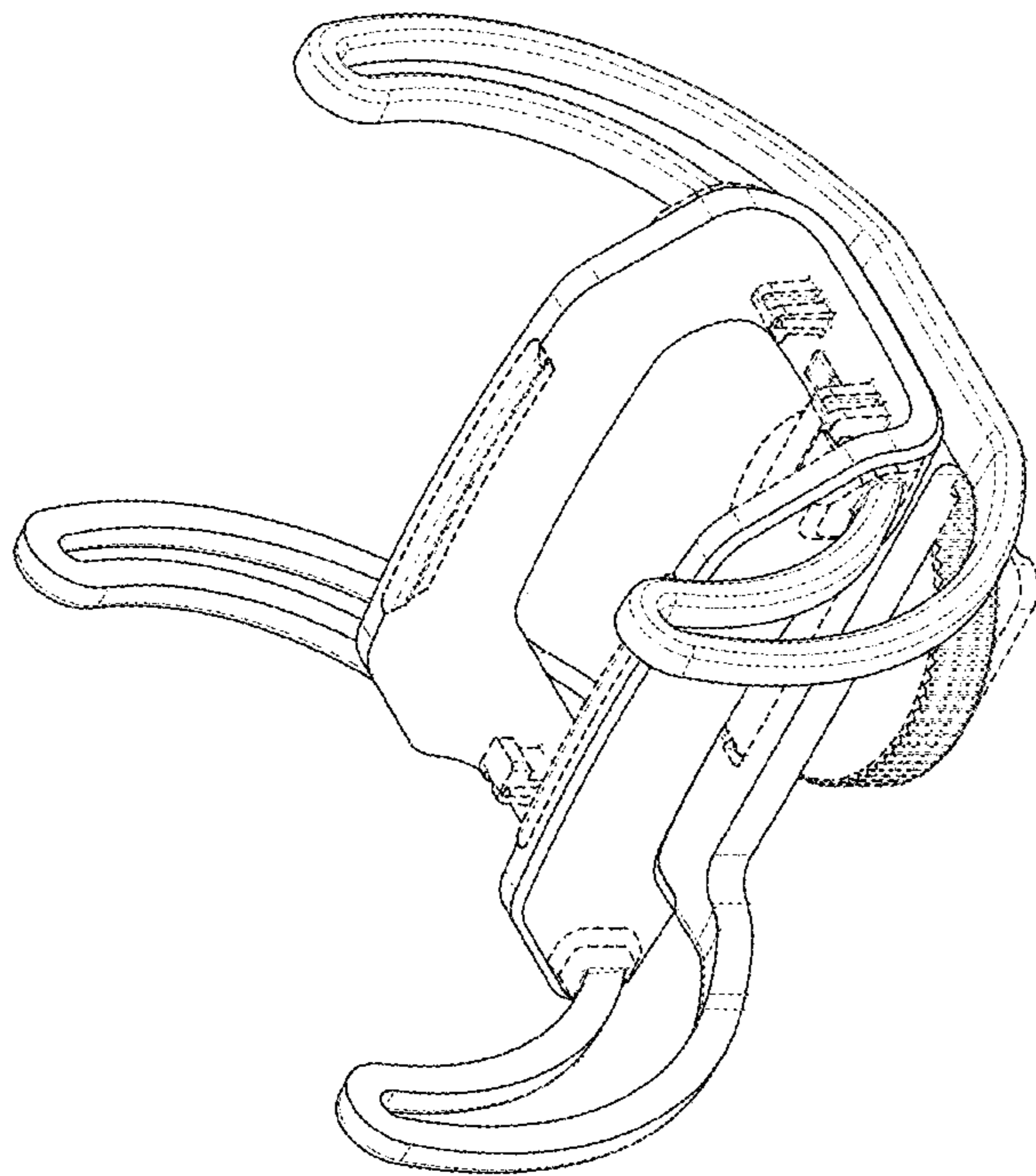


FIG. 3

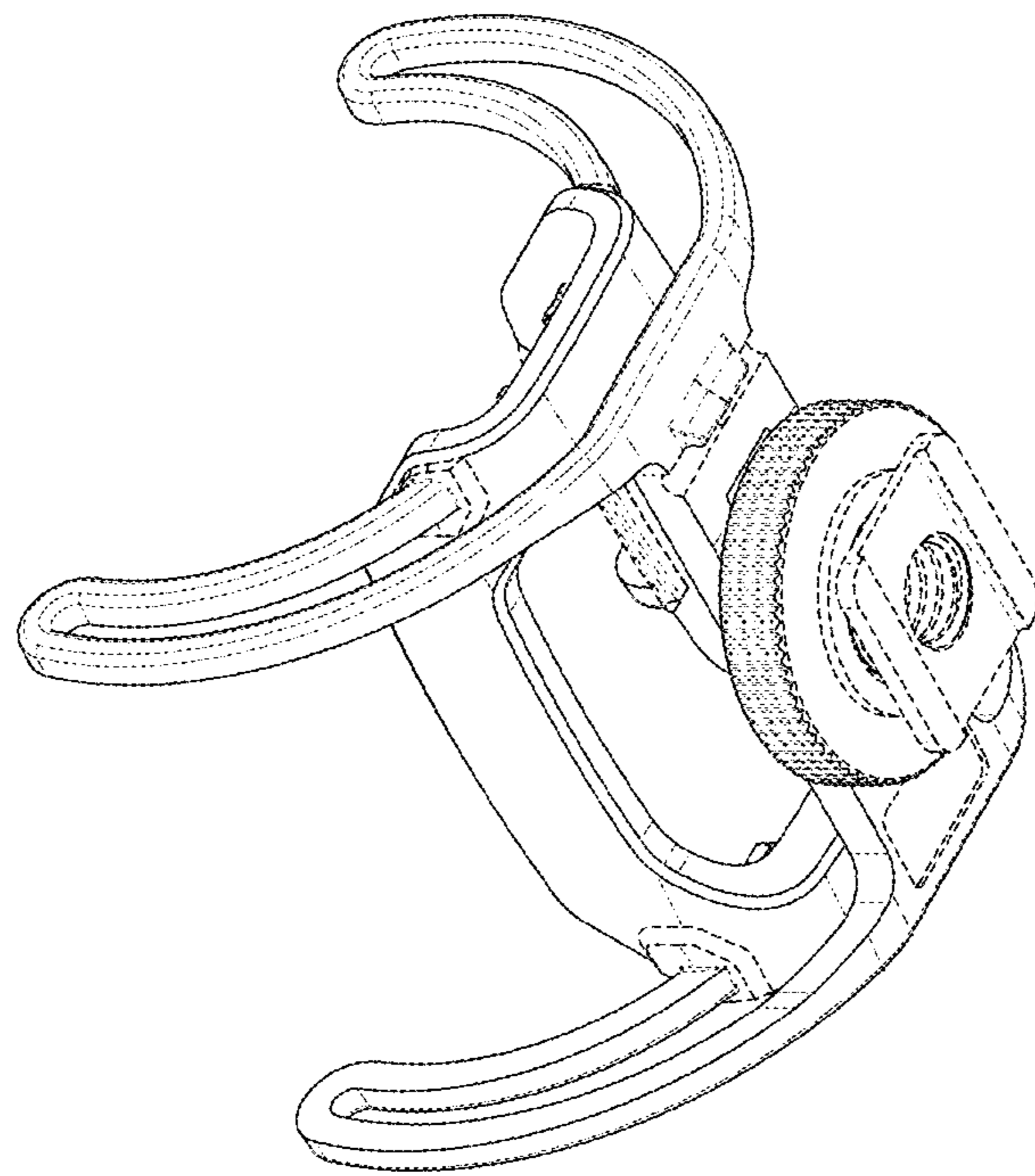


FIG. 4

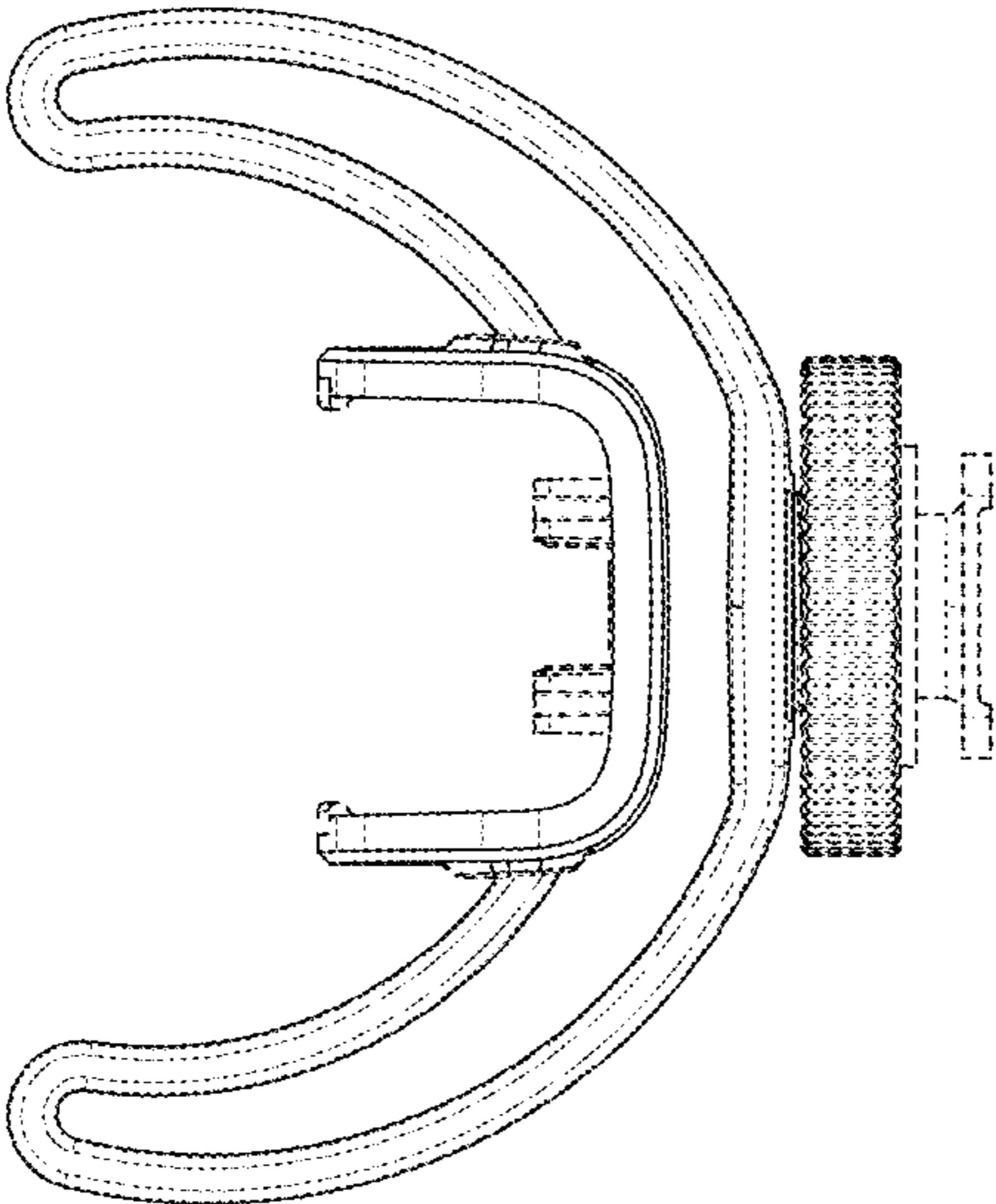


FIG. 5

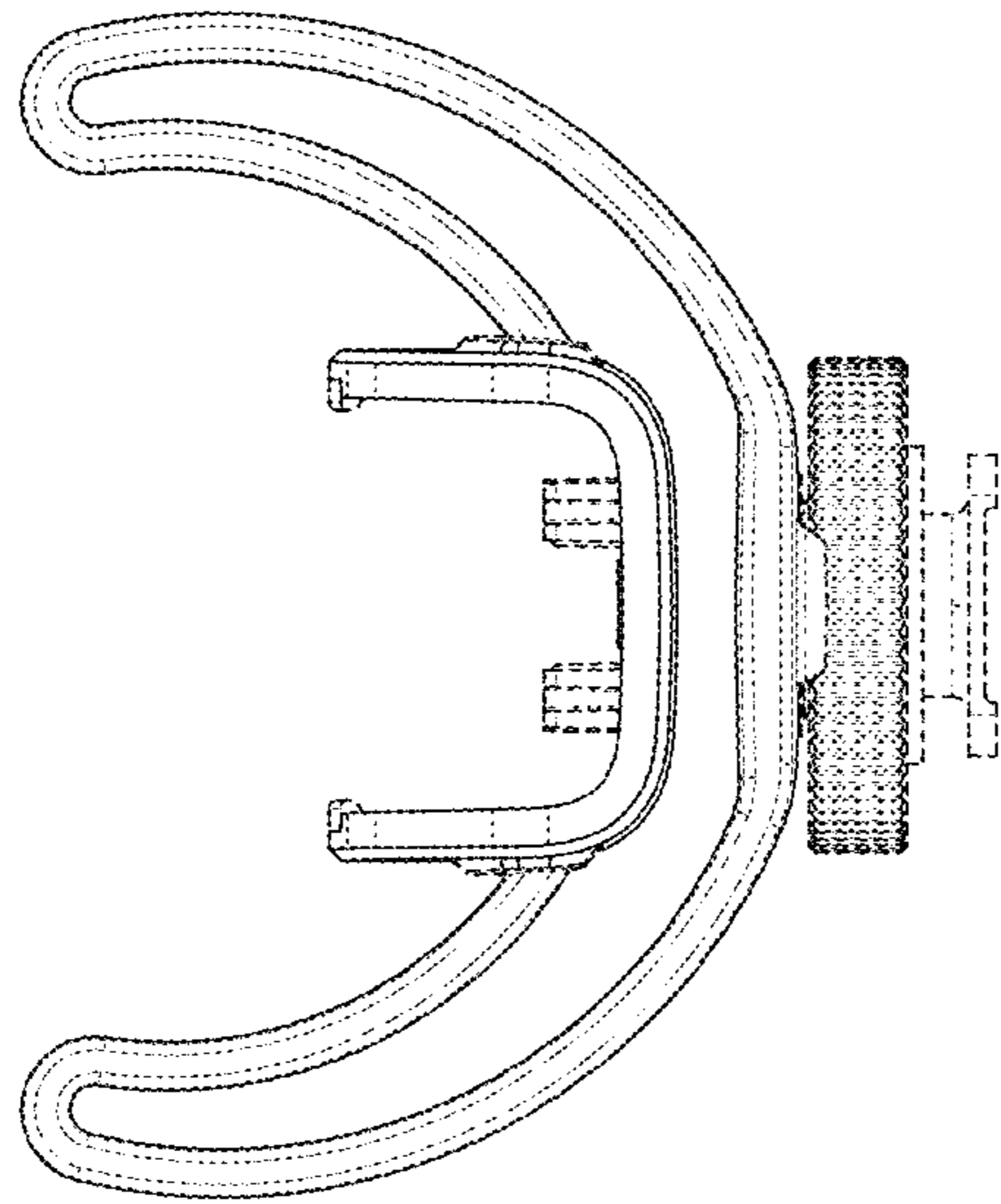


FIG. 6

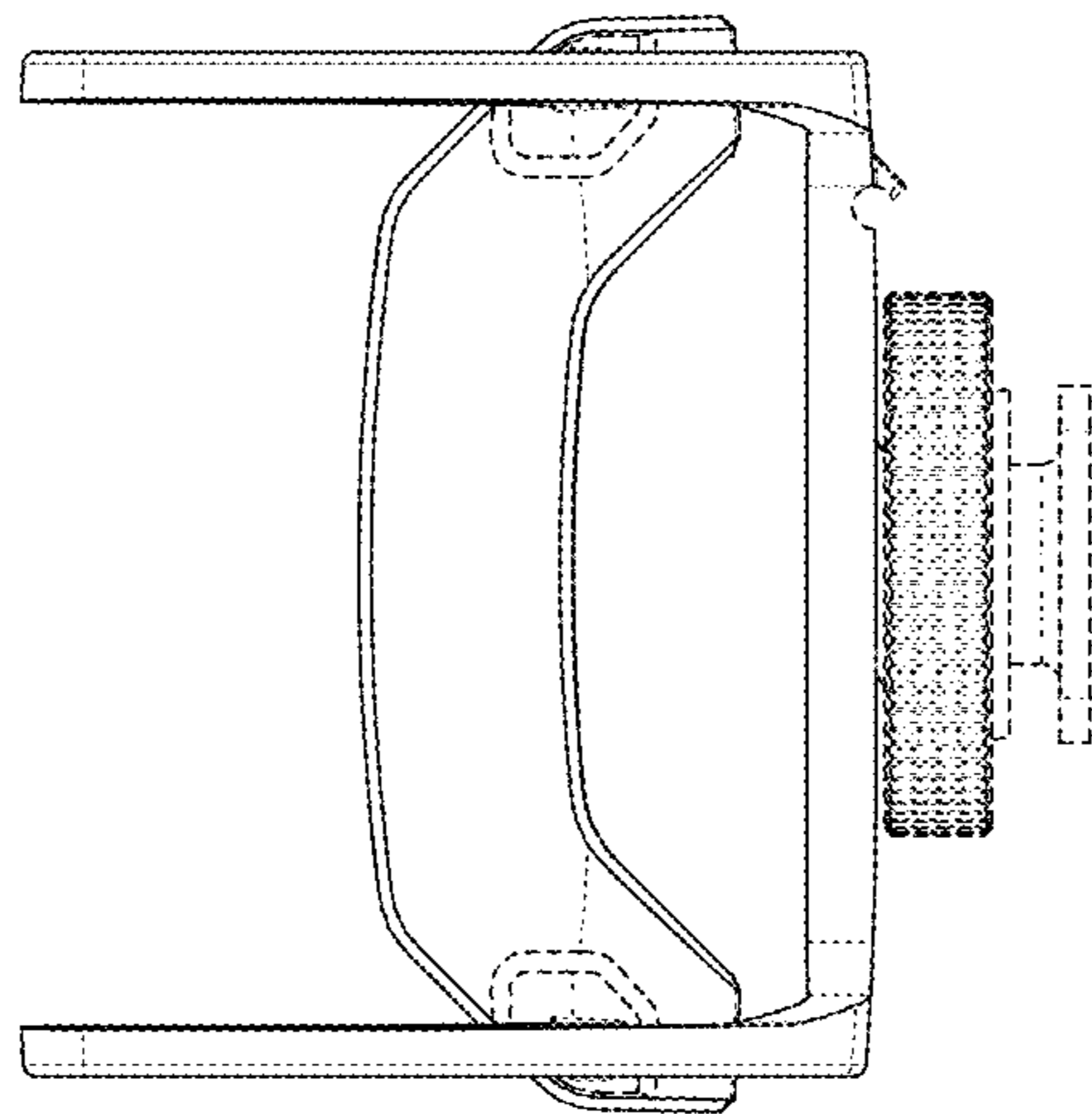


FIG. 7

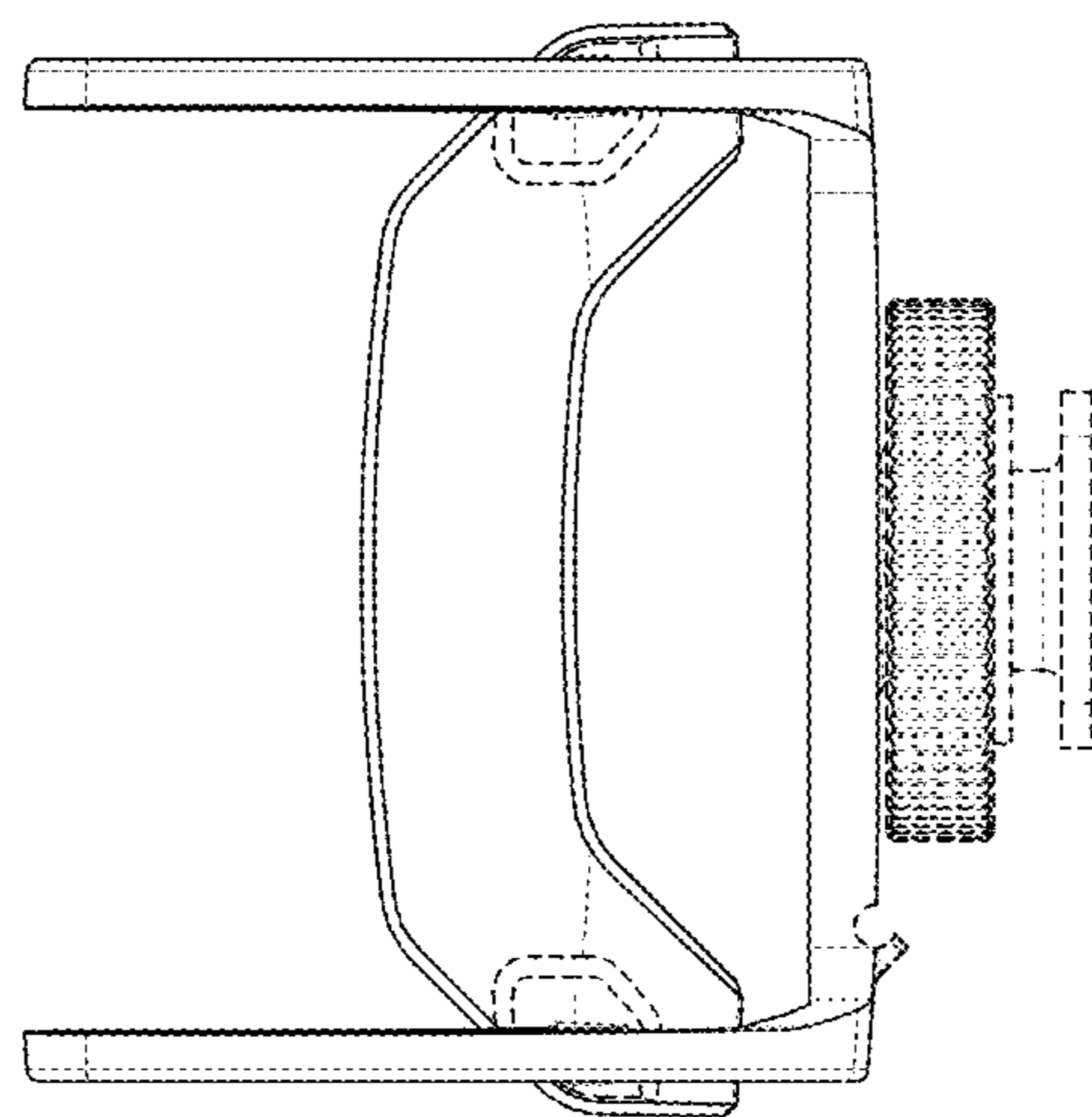


FIG. 8

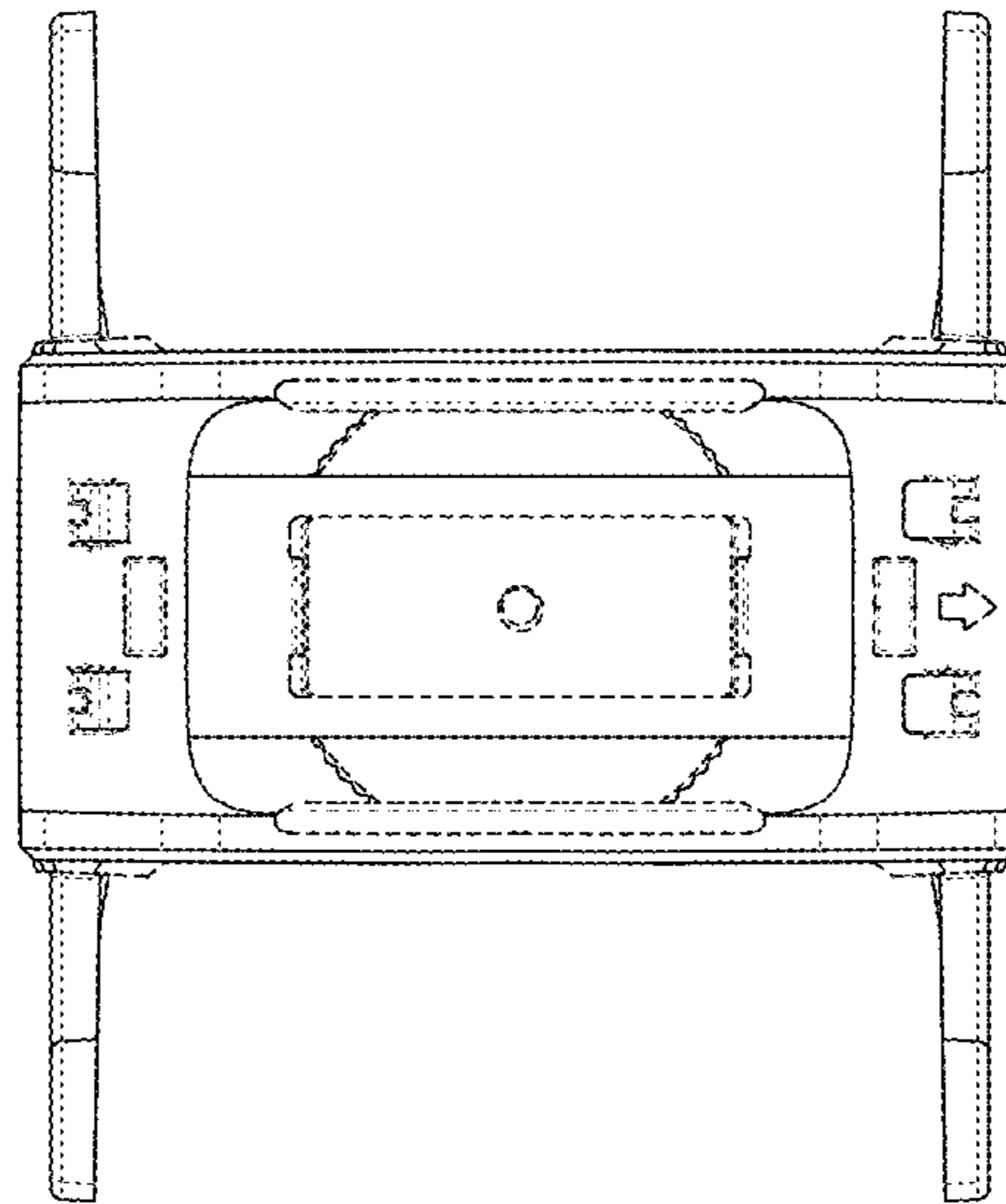


FIG. 9

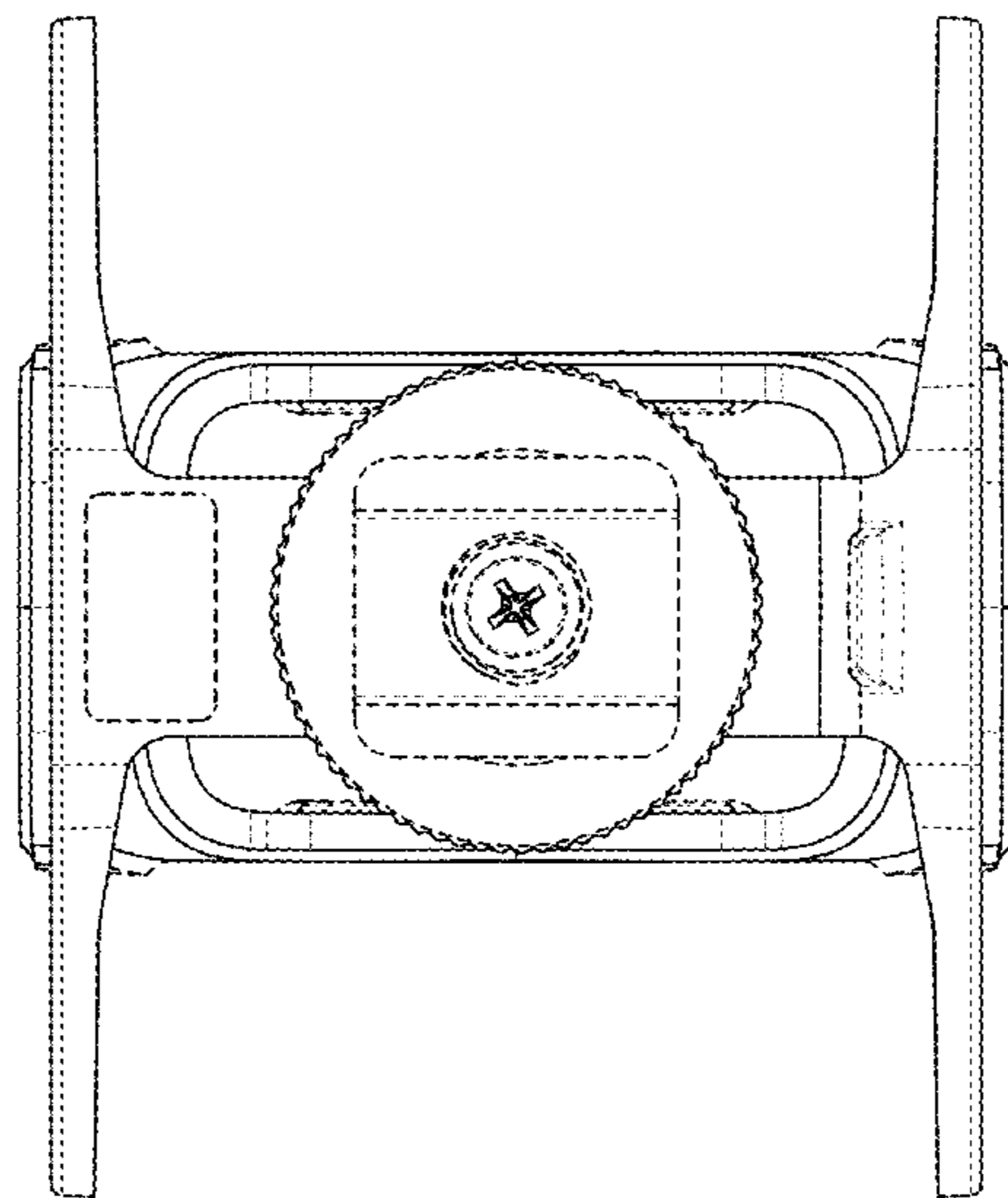


FIG. 10