



US00D772204S

(12) **United States Design Patent** (10) **Patent No.:** **US D772,204 S**
Tsou (45) **Date of Patent:** **** Nov. 22, 2016**

(54) **WIRELESS EARPIECE WITH CHARGING CAPSULE**
(71) Applicant: **Cleer Gear LLC**, San Francisco, CA (US)
(72) Inventor: **Peter Christian Tsou**, San Francisco, CA (US)
(**) Term: **15 Years**
(21) Appl. No.: **29/544,459**
(22) Filed: **Nov. 3, 2015**
(51) **LOC (10) Cl.** **14-01**
(52) **U.S. Cl.**
USPC **D14/223**
(58) **Field of Classification Search**
USPC D14/223, 205; D3/209, 210, 218;
D13/108, 110, 112; 181/129, 130, 135;
379/430, 431; 381/380, 381; 455/90.3,
455/575.1
CPC H04R 1/10; H04R 25/00; H04R 1/1016;
H01M 2/10
See application file for complete search history.

(56) **References Cited**
U.S. PATENT DOCUMENTS
281,000 A * 7/1883 Batchelor H04R 1/1066
381/330
D18,003 S * 1/1888 Osborn D19/187
1,668,890 A * 5/1928 Curran H04R 1/1016
181/130
1,668,910 A * 5/1928 Jones H04R 1/1016
181/130
1,893,143 A * 1/1933 Koch H04R 25/60
181/135
1,953,437 A * 4/1934 Schier A61F 11/00
128/864
D98,095 S * 1/1936 Steckler D24/106
2,078,385 A * 4/1937 Kato H04R 25/48
181/130
2,248,837 A * 7/1941 Walters H04R 25/652
181/130
2,358,339 A * 9/1944 Lucas B66C 23/48
212/263

(Continued)

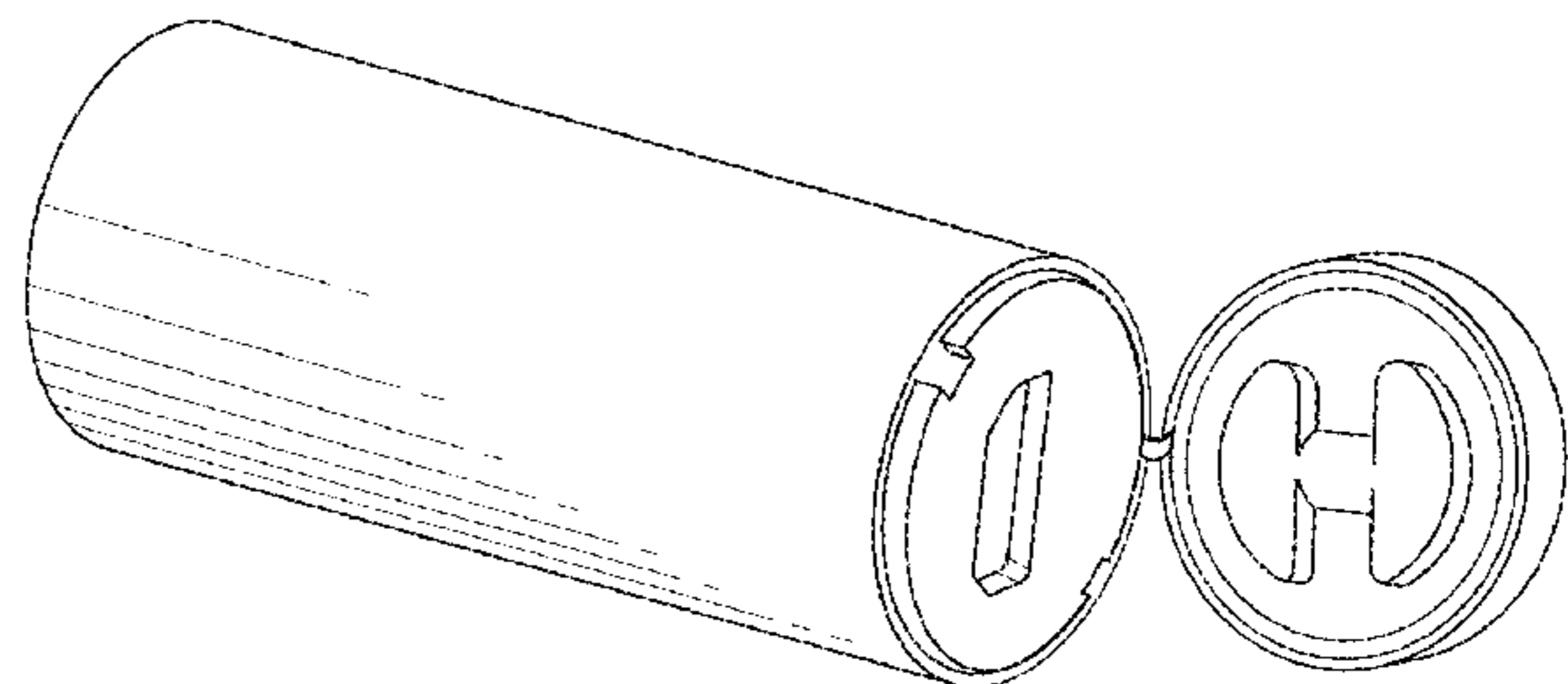
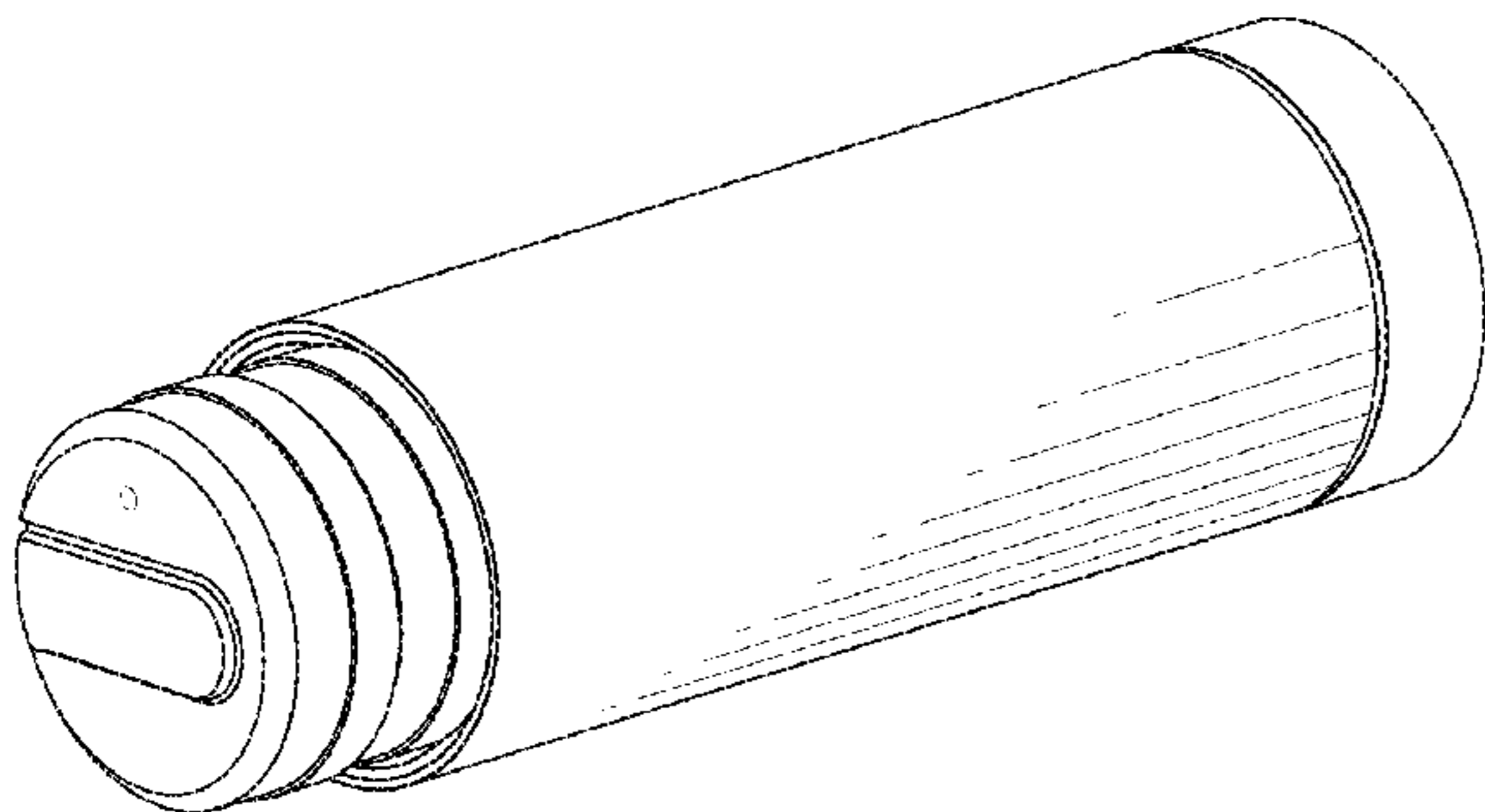
Primary Examiner — Paula Greene
(74) *Attorney, Agent, or Firm* — Intellect Patents LLC;
Ahmed Alhafidh

(57) **CLAIM**
The ornamental design for a wireless earpiece with a charging capsule, as shown and described.

DESCRIPTION

FIG. 1 is a right perspective view of a wireless earpiece with a charging capsule, showing my new design;
FIG. 2 is a right perspective view of the charging capsule of FIG. 1;
FIG. 3 is a left perspective view of the charging capsule of FIG. 1;
FIG. 4 is a left perspective view of the charging capsule of FIG. 1 uncapped showing details of a cap and a USB charging port;
FIG. 5 is a top elevational view of the charging capsule of FIG. 1;
FIG. 6 is a right elevational view of the charging capsule of FIG. 1;
FIG. 7 is a left elevational view of the charging capsule of FIG. 1;
FIG. 8 is a bottom elevational view of the charging capsule of FIG. 1;
FIG. 9 is a front elevational view of the charging capsule of FIG. 1;
FIG. 10 is a rear elevational view of the charging capsule of FIG. 1;
FIG. 11 is a left perspective view of the wireless earpiece of FIG. 1;
FIG. 12 is a left elevational view of the wireless earpiece of FIG. 1;
FIG. 13 is a right elevational view of the wireless earpiece of FIG. 1;
FIG. 14 is a top elevational view of the wireless earpiece of FIG. 1;
FIG. 15 is a bottom elevational view of the wireless earpiece of FIG. 1;
FIG. 16 is a front elevational view of the wireless earpiece of FIG. 1; and, FIG. 17 is a rear elevational view of the wireless earpiece of FIG. 1.

1 Claim, 11 Drawing Sheets



(56)

References Cited

U.S. PATENT DOCUMENTS

2,363,175 A * 11/1944 Grossman H04R 25/48
181/132
2,430,229 A * 11/1947 Kelsey H04R 1/1058
181/130
2,477,046 A * 7/1949 Davenport H04R 25/65
381/313
2,670,737 A * 3/1954 Cantor A61F 11/08
128/864
2,697,128 A * 12/1954 Moore F21L 4/00
362/198
D182,820 S * 5/1958 Kamp D14/225
2,971,065 A * 2/1961 Busse H04R 25/456
381/104
3,259,128 A * 7/1966 Leight A61F 11/08
128/865
3,324,253 A * 6/1967 Uemura H04R 11/06
381/189
3,440,365 A * 4/1969 Hazell H04M 1/05
379/430
D220,723 S * 5/1971 Abbo D14/197
3,611,150 A * 10/1971 Timm H04B 1/08
312/7.1
3,859,140 A * 1/1975 Schmidt H01M 2/105
429/99
3,865,998 A * 2/1975 Weiss H04R 25/60
381/324
D236,988 S * 9/1975 Walters D14/223
D245,769 S * 9/1977 Chihara D11/13
4,069,400 A * 1/1978 Johanson H04R 25/60
381/322
4,133,984 A * 1/1979 Akiyama H04R 25/456
181/135
D253,483 S * 11/1979 Thuringer D19/108
D259,279 S * 5/1981 Takeda D24/106
4,295,009 A * 10/1981 Weidler H04R 17/00
310/324
4,314,553 A * 2/1982 Westerdal A61F 11/12
128/201.18
4,622,975 A * 11/1986 Danby A61B 5/042
600/379
D287,280 S * 12/1986 Topholm D24/174
D287,764 S * 1/1987 Topholm D24/174
D287,765 S * 1/1987 Topholm D24/174
4,634,816 A * 1/1987 O'Malley H04M 1/05
379/430
4,648,013 A * 3/1987 Curiel F21L 4/08
136/251
5,054,079 A * 10/1991 Frielingsdorf H04R 1/46
379/430
D333,560 S * 3/1993 Miyashita D3/218
D396,860 S * 8/1998 Yasutomi D10/119.2
D413,379 S * 8/1999 Leight D24/106
D435,036 S * 12/2000 Koss D14/223
D457,514 S * 5/2002 Marion D14/223
6,386,314 B1 * 5/2002 Sheehan A61B 5/12
181/129
D468,301 S * 1/2003 Fushimi D14/223
6,567,527 B1 * 5/2003 Baker H01M 2/0202
381/322
D477,593 S * 7/2003 Komiyama D14/223
D477,822 S * 7/2003 Komiyama D14/223
D481,709 S * 11/2003 Solderits D14/223
6,830,124 B2 * 12/2004 Chiang A61F 11/08
128/864
D505,411 S * 5/2005 Sakai D14/192
D514,094 S * 1/2006 Griffin D14/223
7,010,137 B1 * 3/2006 Leedom A61B 5/6817
381/322
D519,108 S * 4/2006 Yang D14/223
D532,372 S * 11/2006 Keating D13/108
D549,222 S * 8/2007 Huang D14/223
D550,712 S * 9/2007 Lee D14/496
7,354,494 B2 * 4/2008 Miyajima G02F 1/1303
156/228

7,356,362 B2 * 4/2008 Chang H04R 1/1033
379/430
D573,588 S * 7/2008 Warren D14/225
D579,006 S * 10/2008 Kim D14/223
D584,398 S * 1/2009 Benner D24/106
D587,681 S * 3/2009 Yanai D14/205
D594,441 S * 6/2009 Lee D14/205
D595,268 S * 6/2009 Kolton D14/205
D598,374 S * 8/2009 Sasada D13/108
D601,171 S * 9/2009 Shimizu D14/496
D603,380 S * 11/2009 Hutchieson D14/223
D604,945 S * 12/2009 Tkachuk D3/218
D605,628 S * 12/2009 Ando D14/205
D606,971 S * 12/2009 Christopher D14/205
D614,168 S * 4/2010 Rogers D14/206
D621,389 S * 8/2010 Nagayama D14/223
D632,677 S * 2/2011 Brown D14/223
D637,182 S * 5/2011 Lee D14/223
D639,280 S * 6/2011 Hayes D14/223
D641,010 S * 7/2011 Kwon D14/223
D642,163 S * 7/2011 Lee D14/223
D645,816 S * 9/2011 Sasada D13/108
D652,817 S * 1/2012 Lee D14/205
D652,822 S * 1/2012 Lee D14/223
D654,056 S * 2/2012 Hoggarth D14/205
D660,291 S * 5/2012 Thomas D14/223
D664,920 S * 8/2012 Huang D13/107
D666,581 S * 9/2012 Perez D14/223
8,265,323 B2 * 9/2012 Stiehl B29C 45/0025
381/371
8,275,166 B2 * 9/2012 Wu H04R 25/00
381/328
D668,244 S * 10/2012 Matsumura D14/223
D674,904 S * 1/2013 Aunio D14/223
D695,216 S * 12/2013 Miller D13/108
D698,750 S * 2/2014 Yoon D14/205
D698,761 S * 2/2014 Bao D14/223
D699,226 S * 2/2014 Yoon D14/206
D700,905 S * 3/2014 Pavitsich D14/223
8,731,227 B2 * 5/2014 Hwang H04R 1/1091
181/135
8,776,801 B2 * 7/2014 McIntosh A61F 11/08
128/864
D711,356 S * 8/2014 Yang D14/223
D711,858 S * 8/2014 Yang D14/223
8,867,758 B2 * 10/2014 Terlizzi H01R 13/2428
379/428.01
8,873,250 B2 * 10/2014 Kroupa B65H 75/4434
242/400
D718,286 S * 11/2014 Yang D14/223
D722,956 S * 2/2015 Alima D13/103
8,983,108 B2 * 3/2015 Ho H04R 1/1016
181/135
D726,165 S * 4/2015 Kawaji D14/223
D727,871 S * 4/2015 Orbach D14/205
9,055,369 B2 * 6/2015 Yang H04R 1/10
D746,792 S * 1/2016 Kim D14/205
D751,053 S * 3/2016 Shin D14/205
D764,445 S * 8/2016 Czaniecki D14/223
2004/0251871 A1 * 12/2004 Dvorak H02J 7/025
320/108
2007/0098201 A1 * 5/2007 Chen H04R 1/1016
381/380
2012/0087532 A1 * 4/2012 Yang H04R 1/10
381/380
2012/0121957 A1 * 5/2012 Kwon H01M 2/204
429/99
2013/0076298 A1 * 3/2013 Miller H02J 7/0027
320/103
2014/0166122 A1 * 6/2014 Goldstein H04R 1/1041
137/223
2015/0027467 A1 * 1/2015 Liu A24F 47/008
131/329
2015/0245127 A1 * 8/2015 Shaffer H04R 1/1025
381/380
2015/0350762 A1 * 12/2015 Birger H04R 1/1016
381/74

* cited by examiner

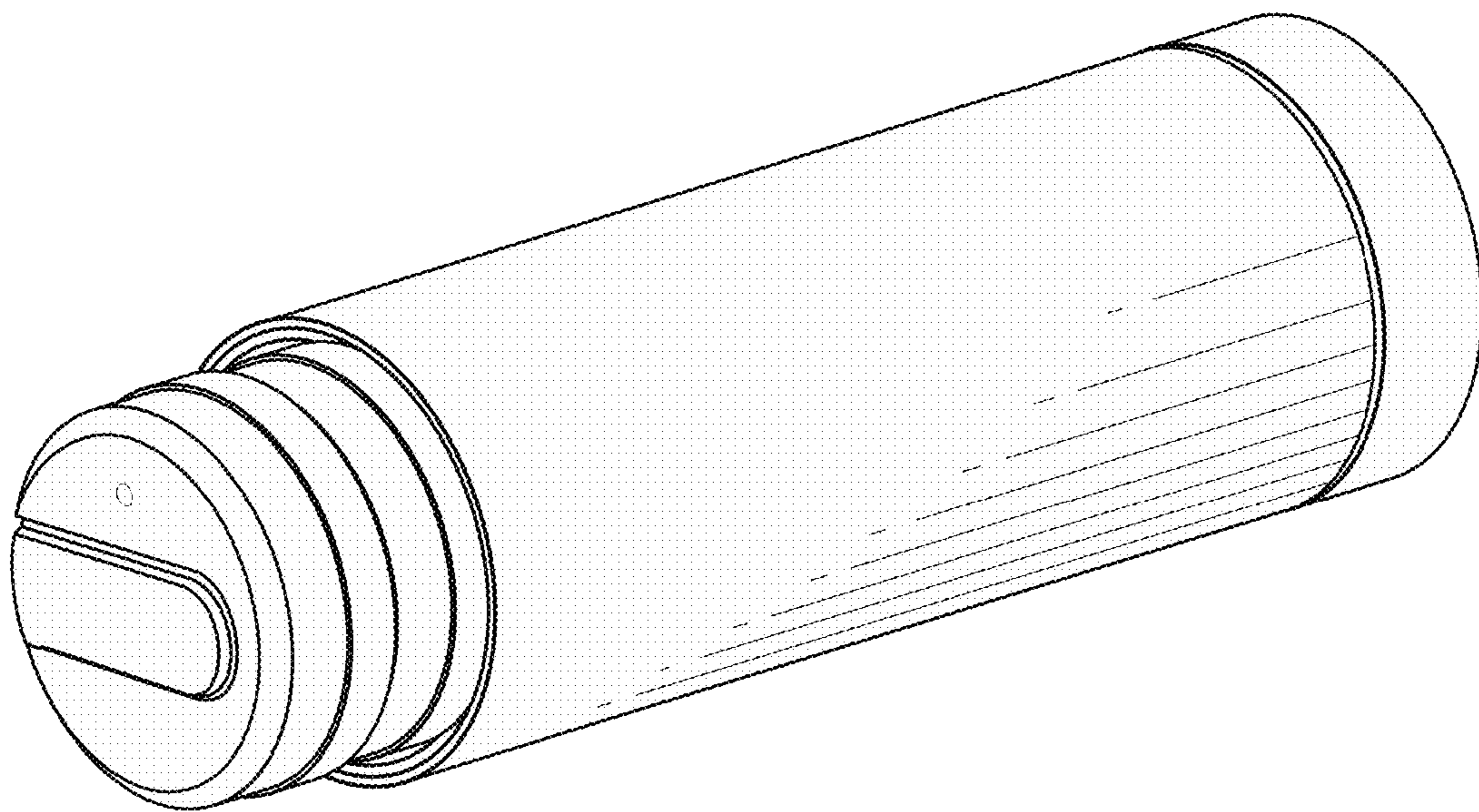


FIG. 1

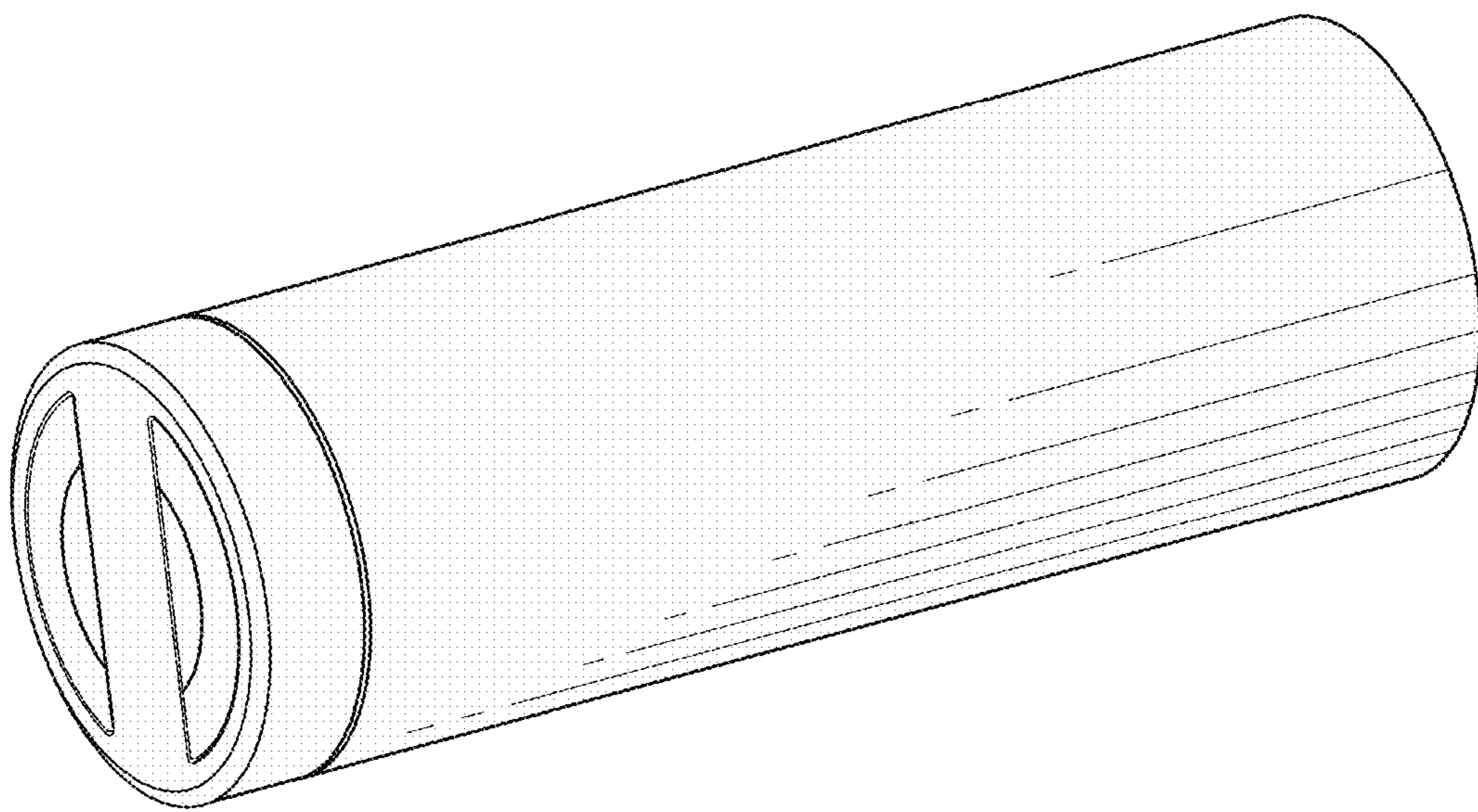


FIG. 2

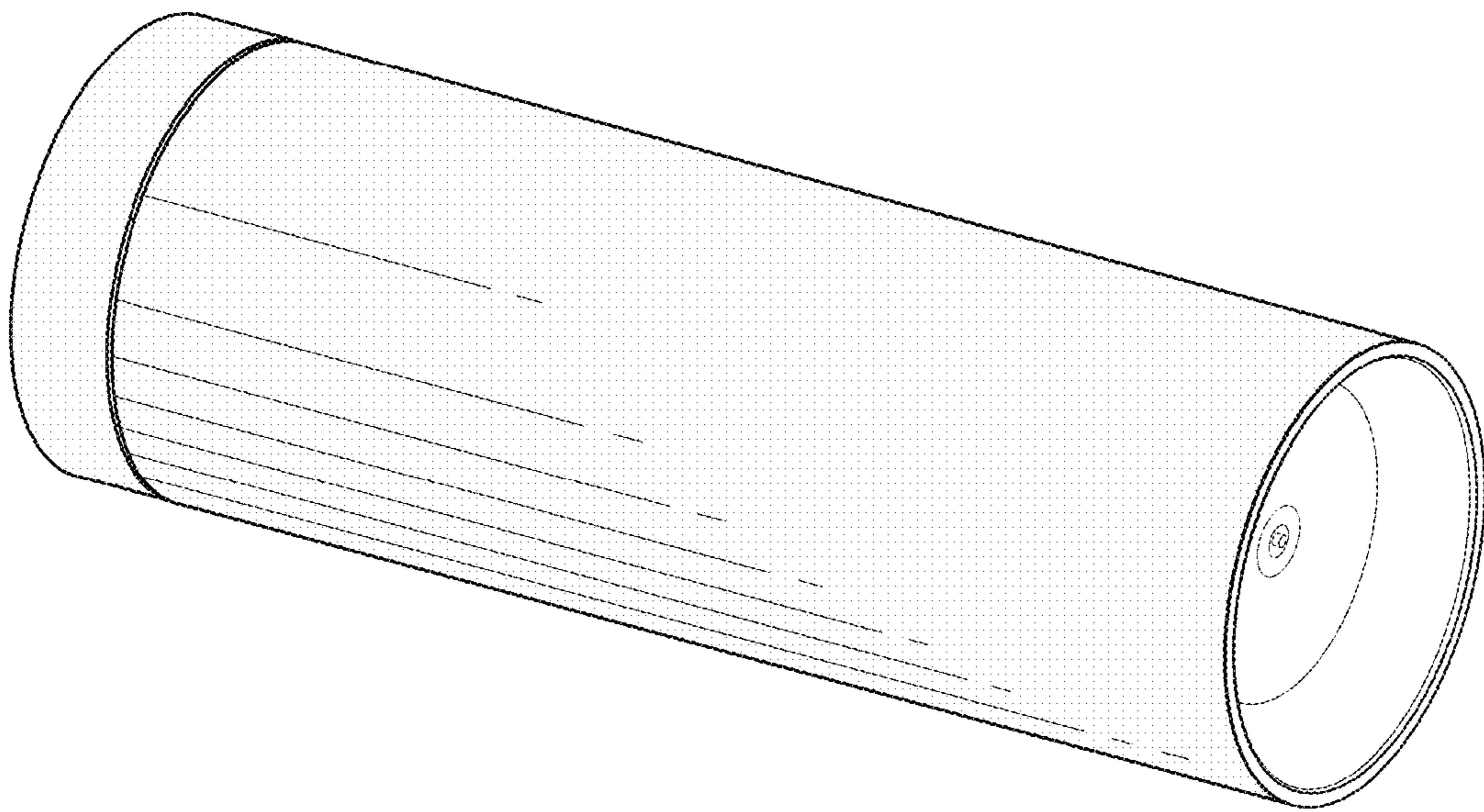


FIG. 3

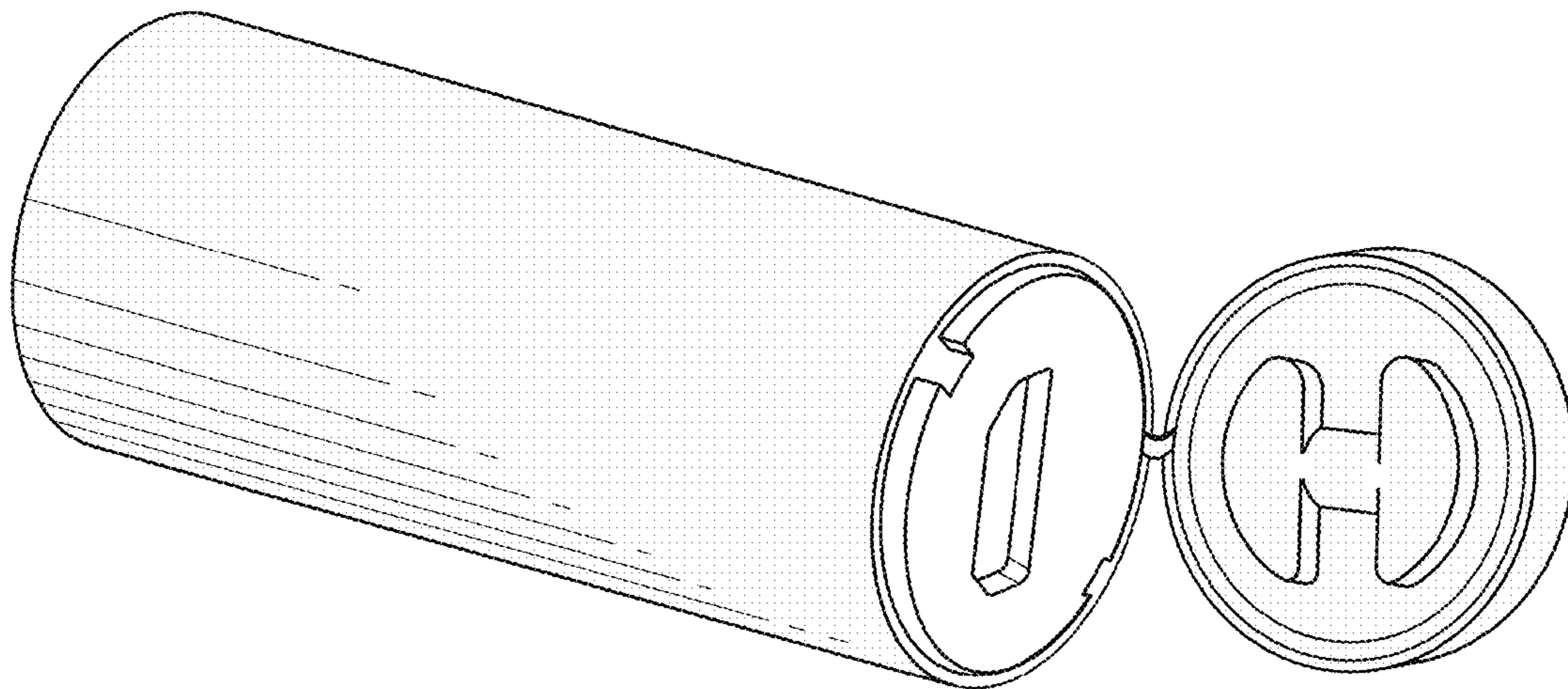


FIG. 4

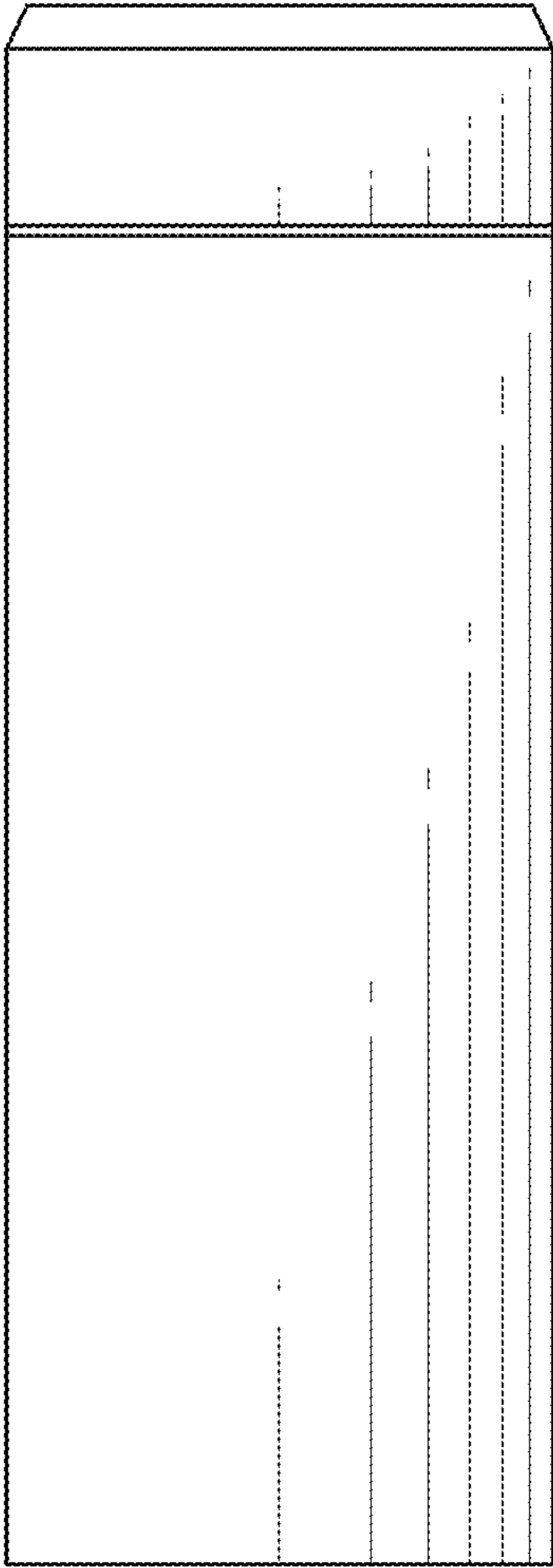


FIG. 5

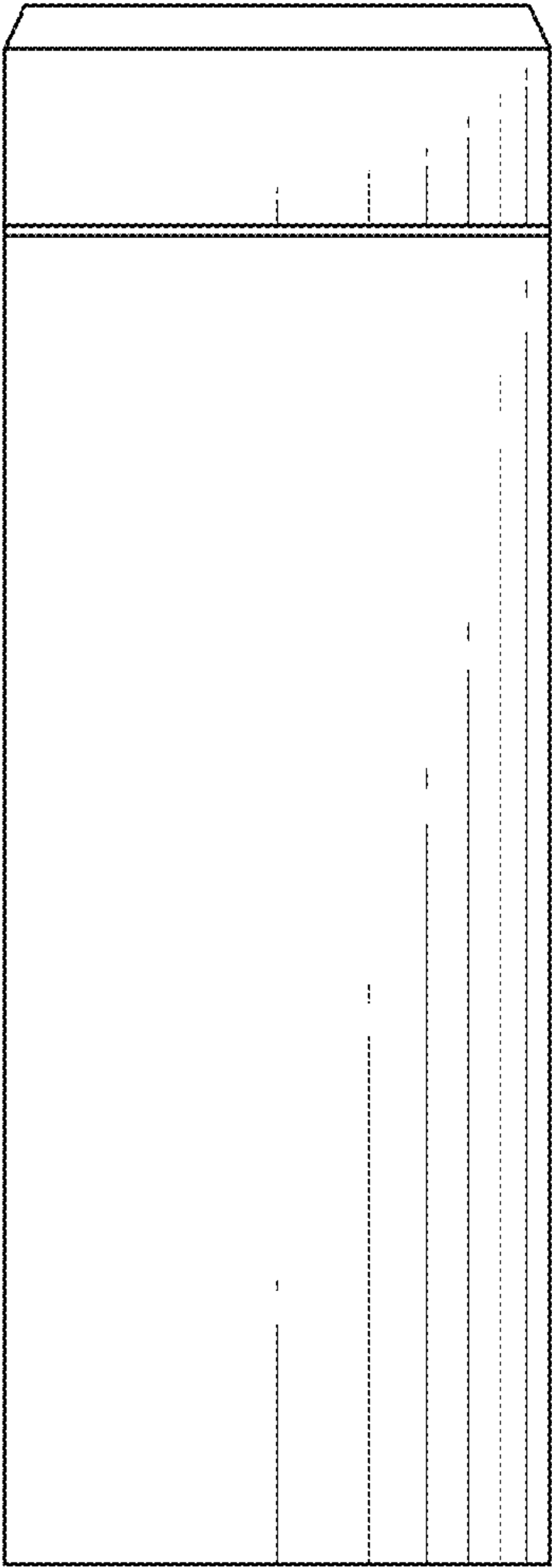


FIG. 6

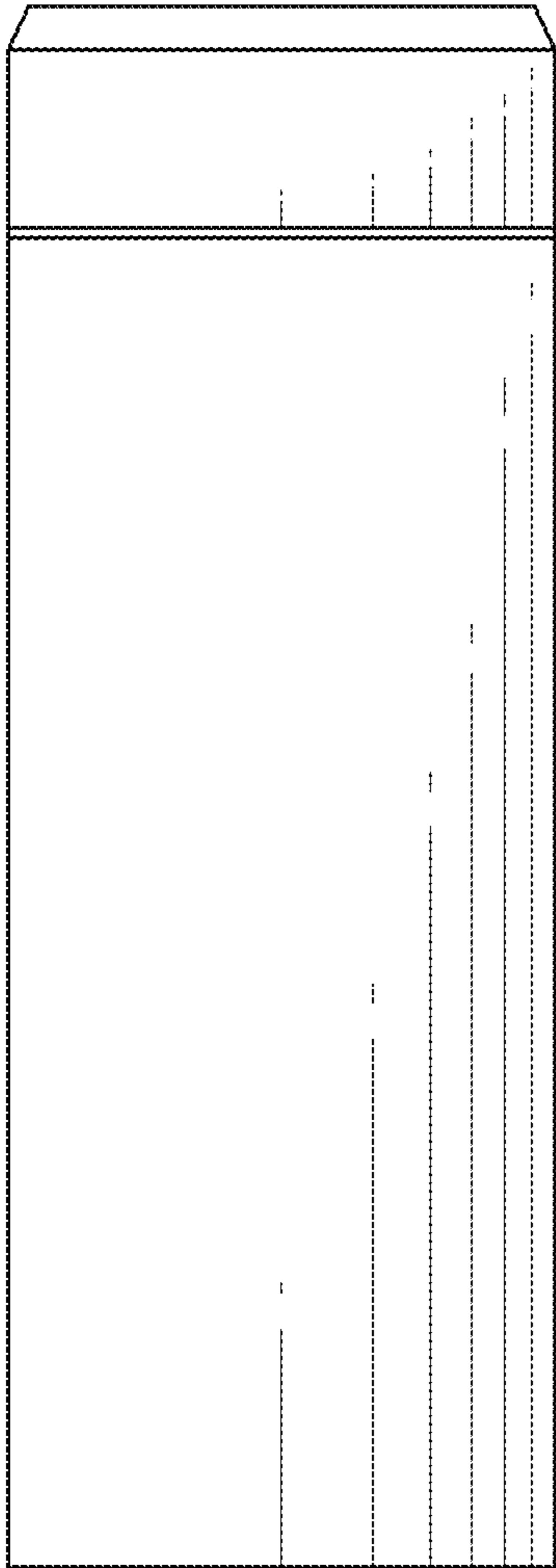


FIG. 7

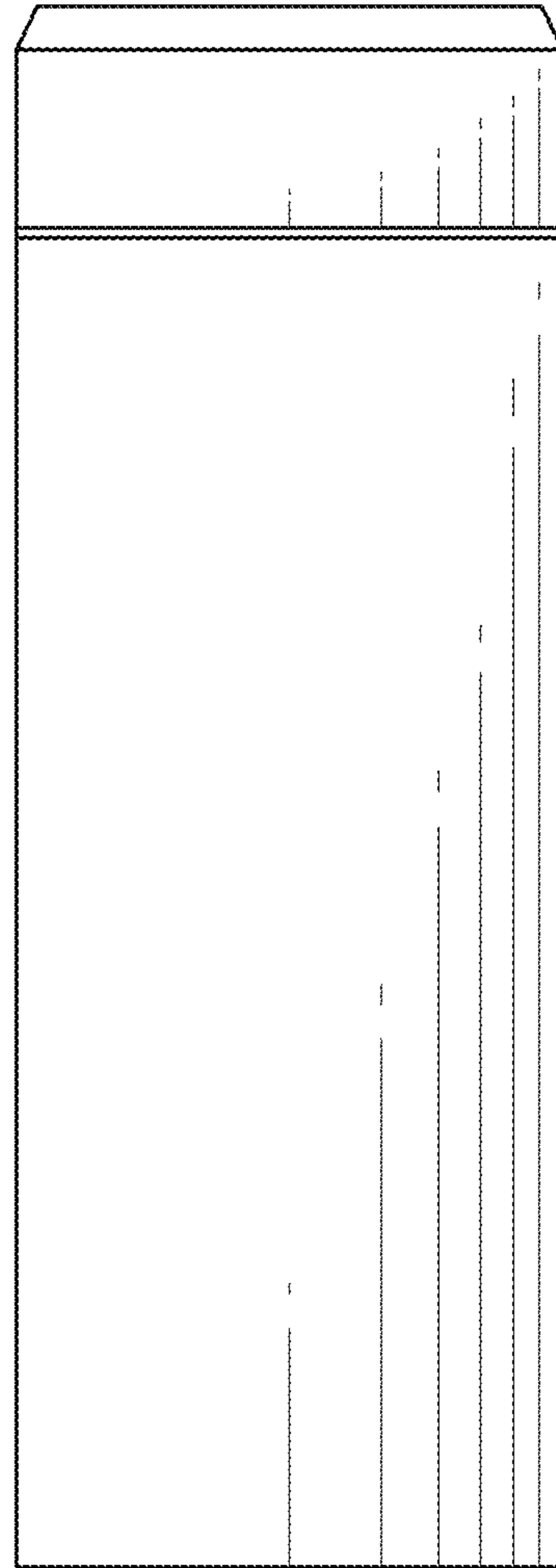


FIG. 8

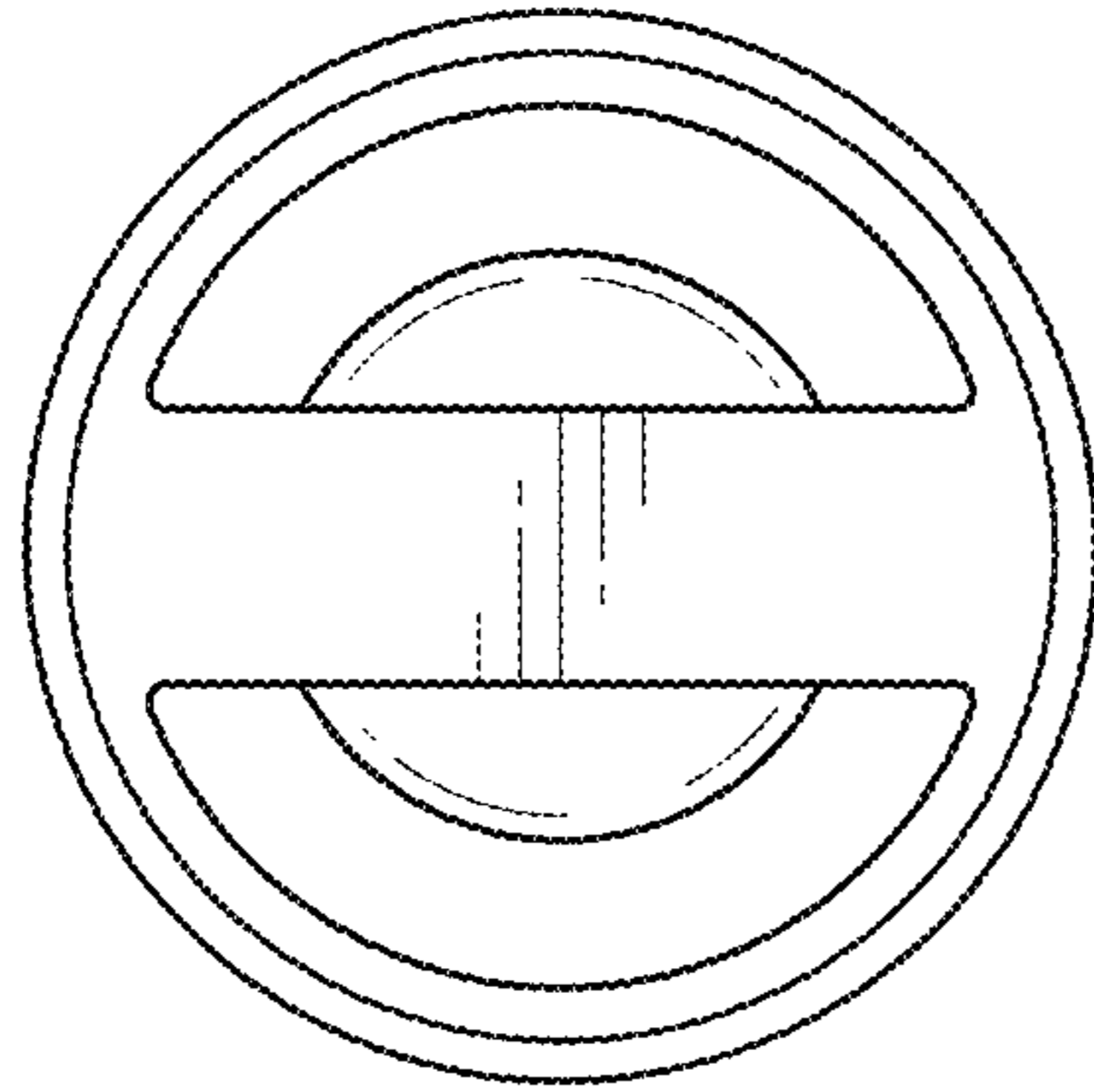


FIG. 9

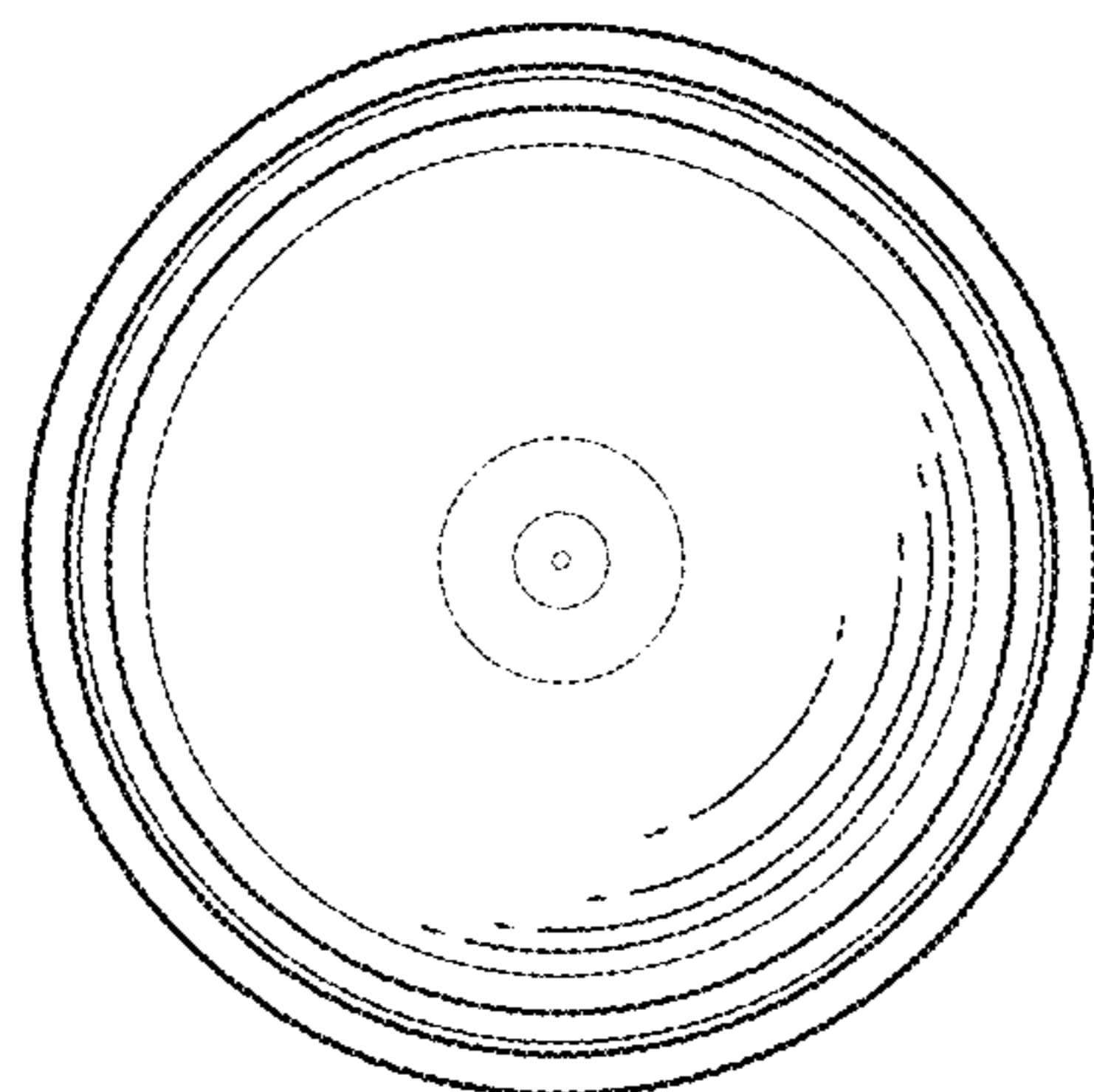


FIG. 10

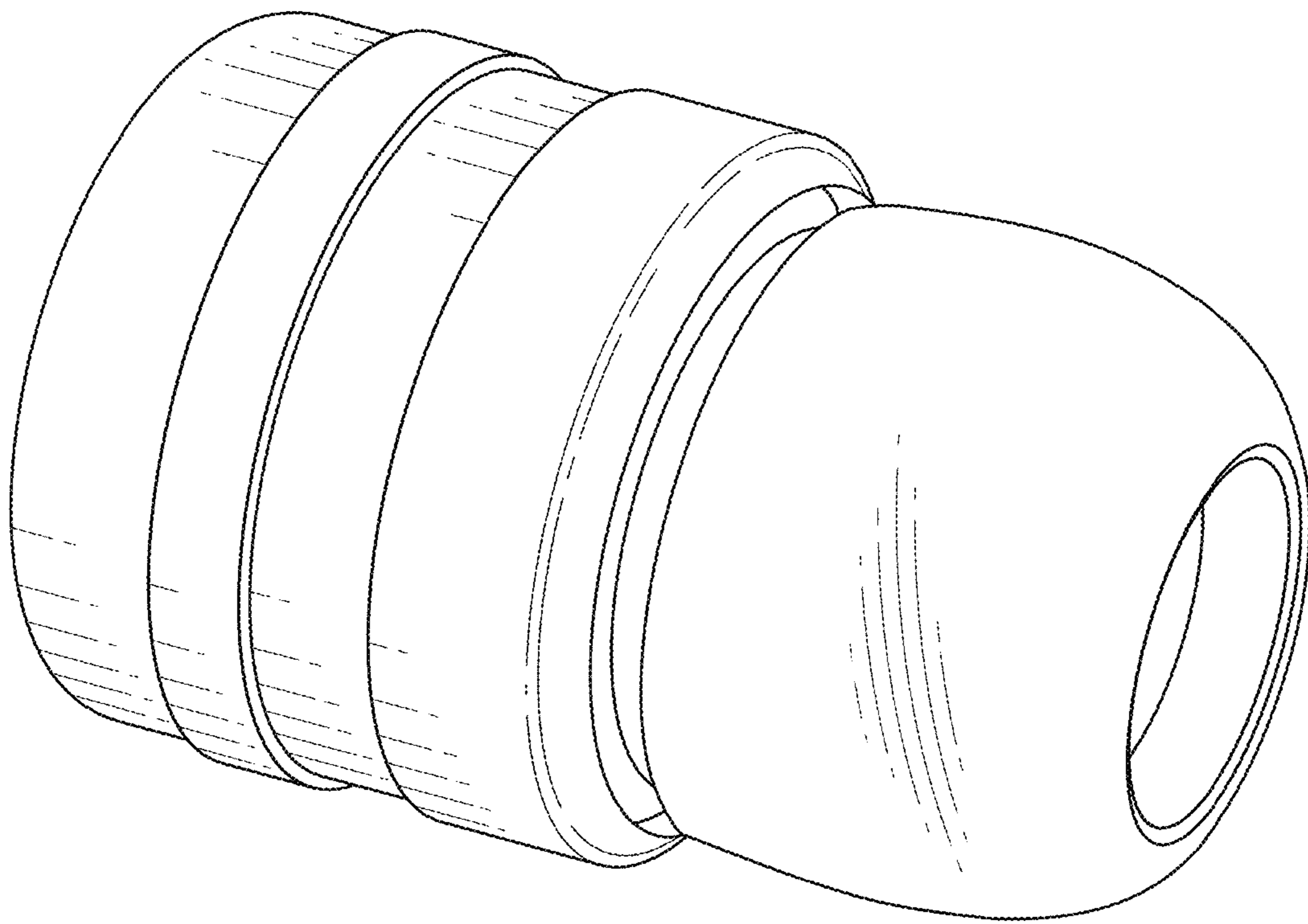


FIG. 11

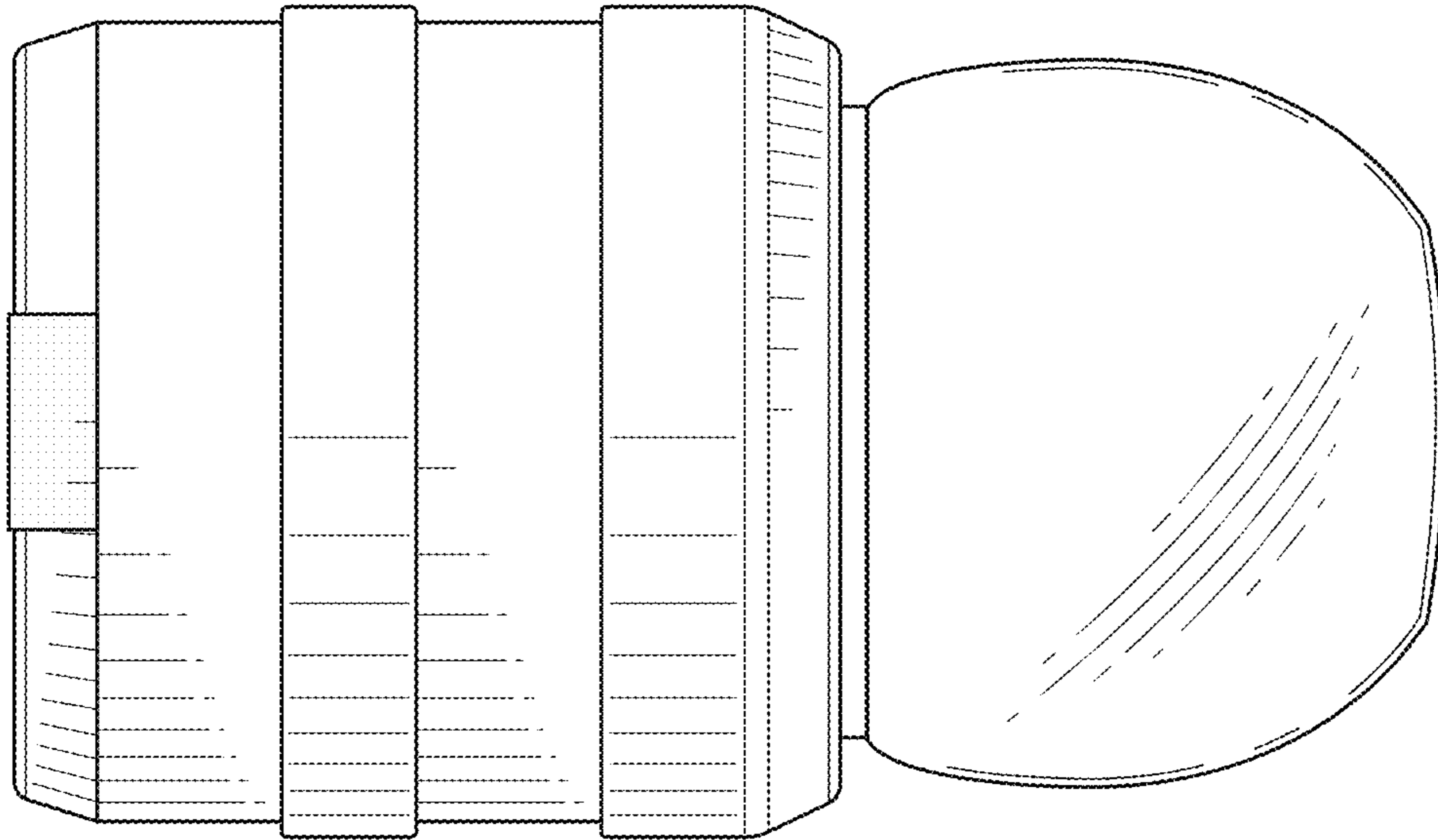


FIG. 12

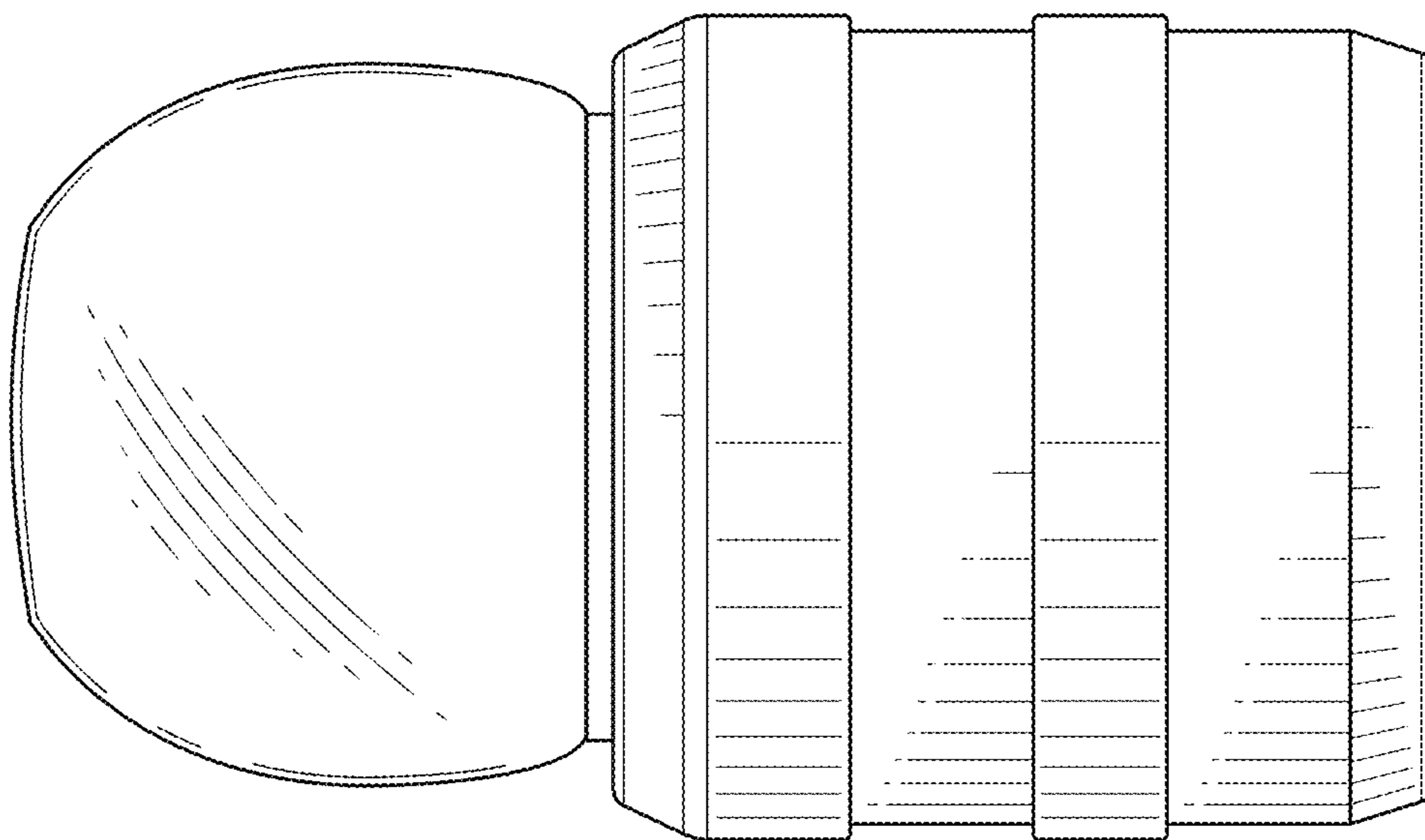


FIG. 13

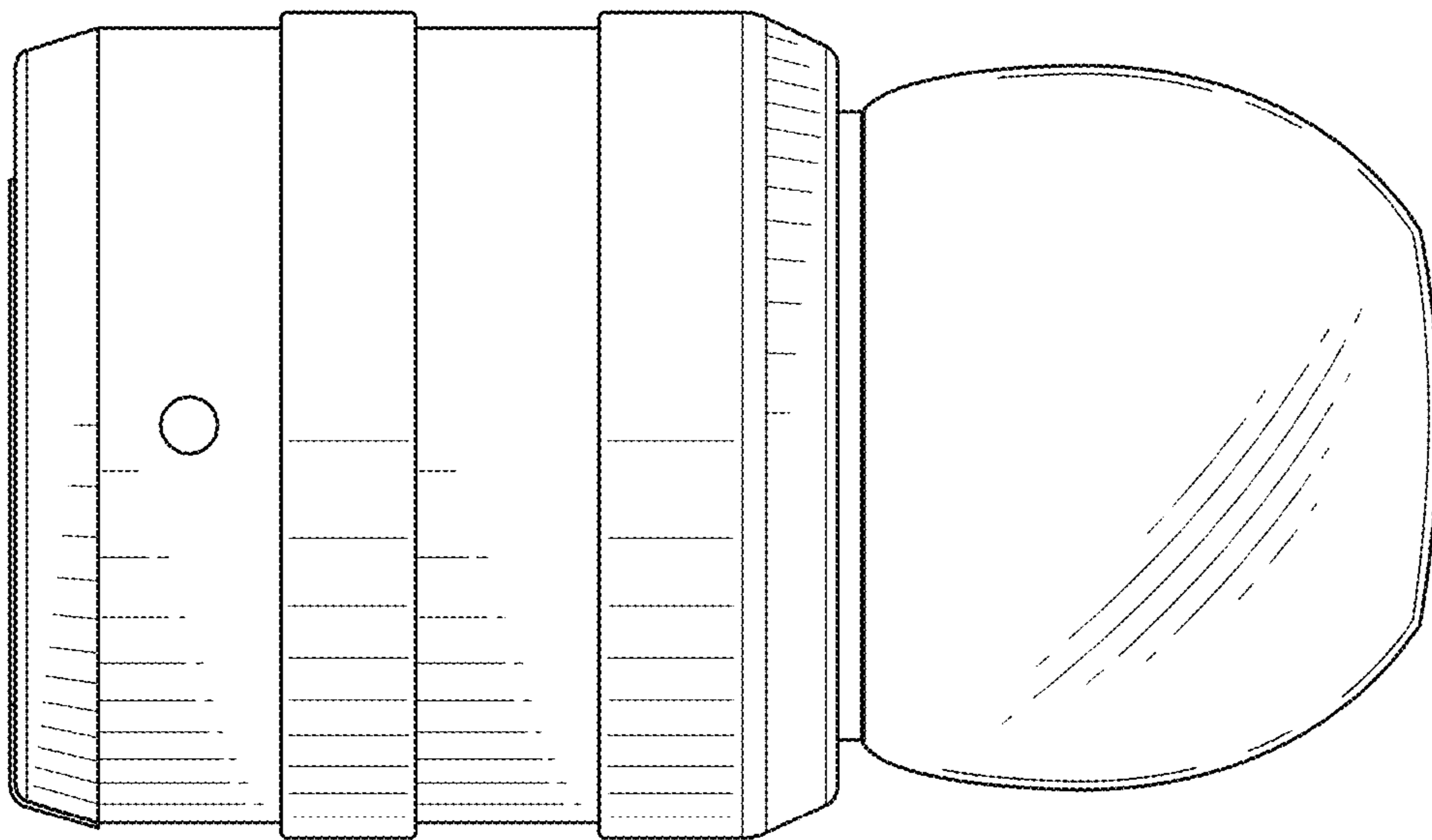


FIG. 14

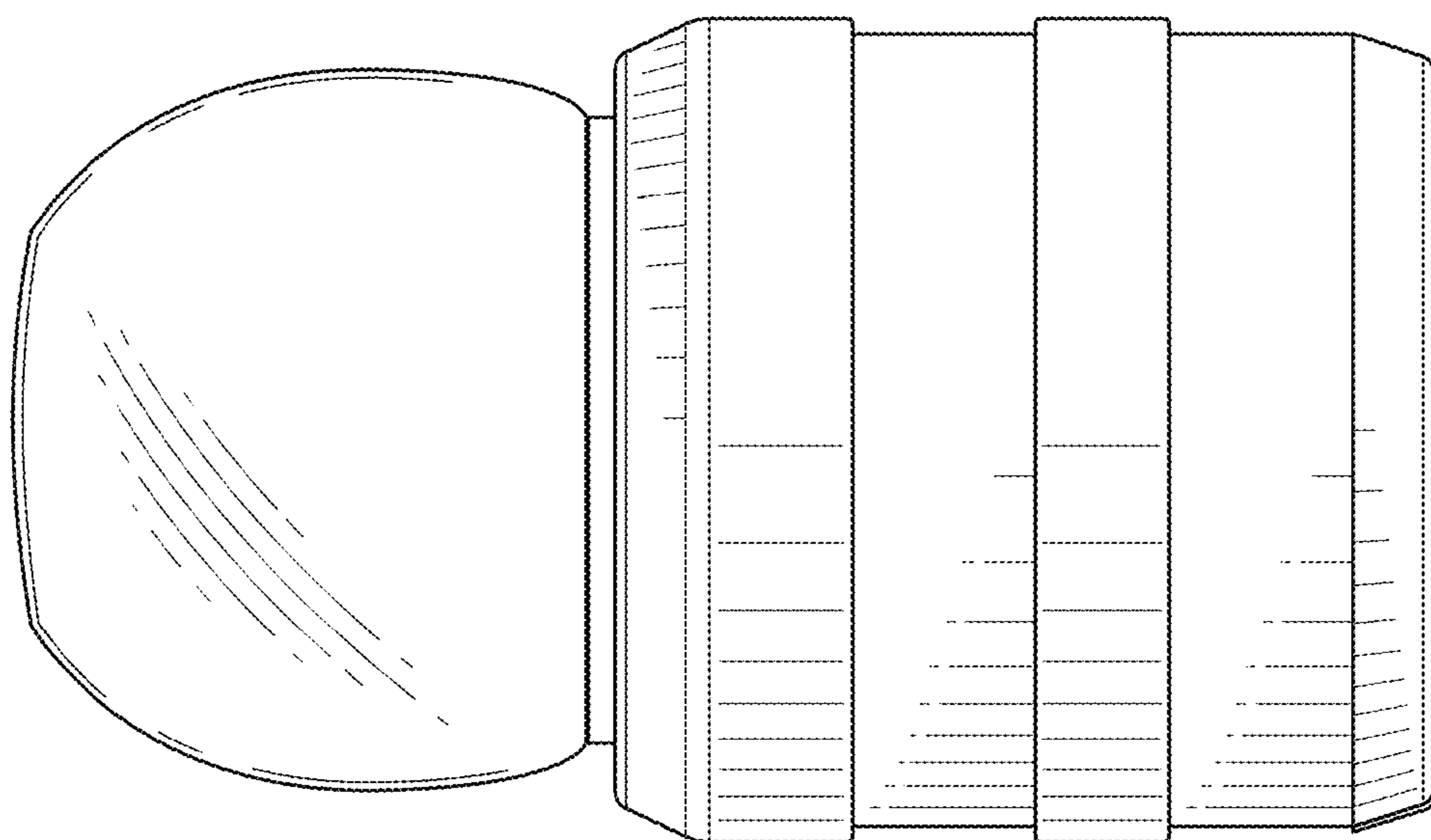


FIG. 15

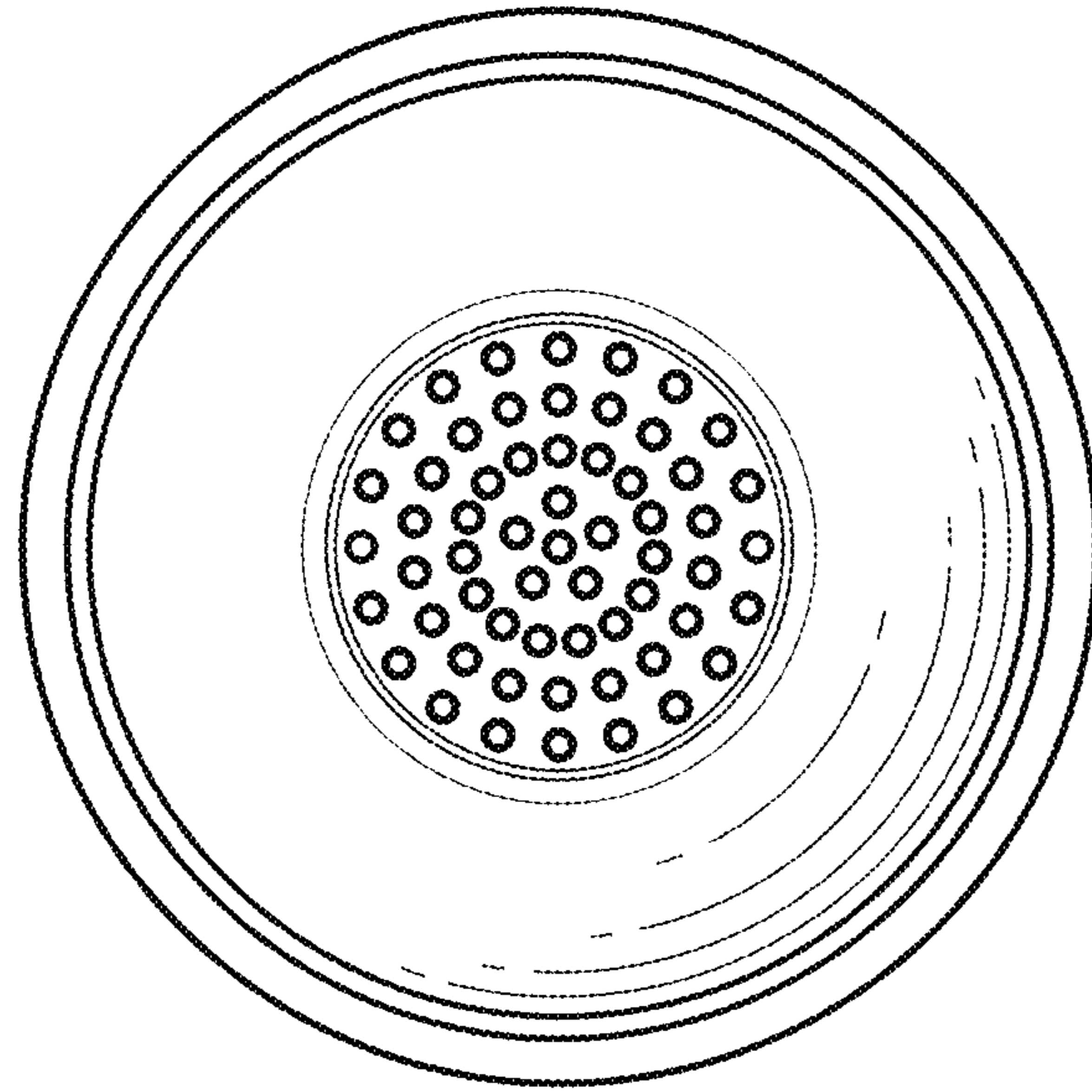


FIG. 16

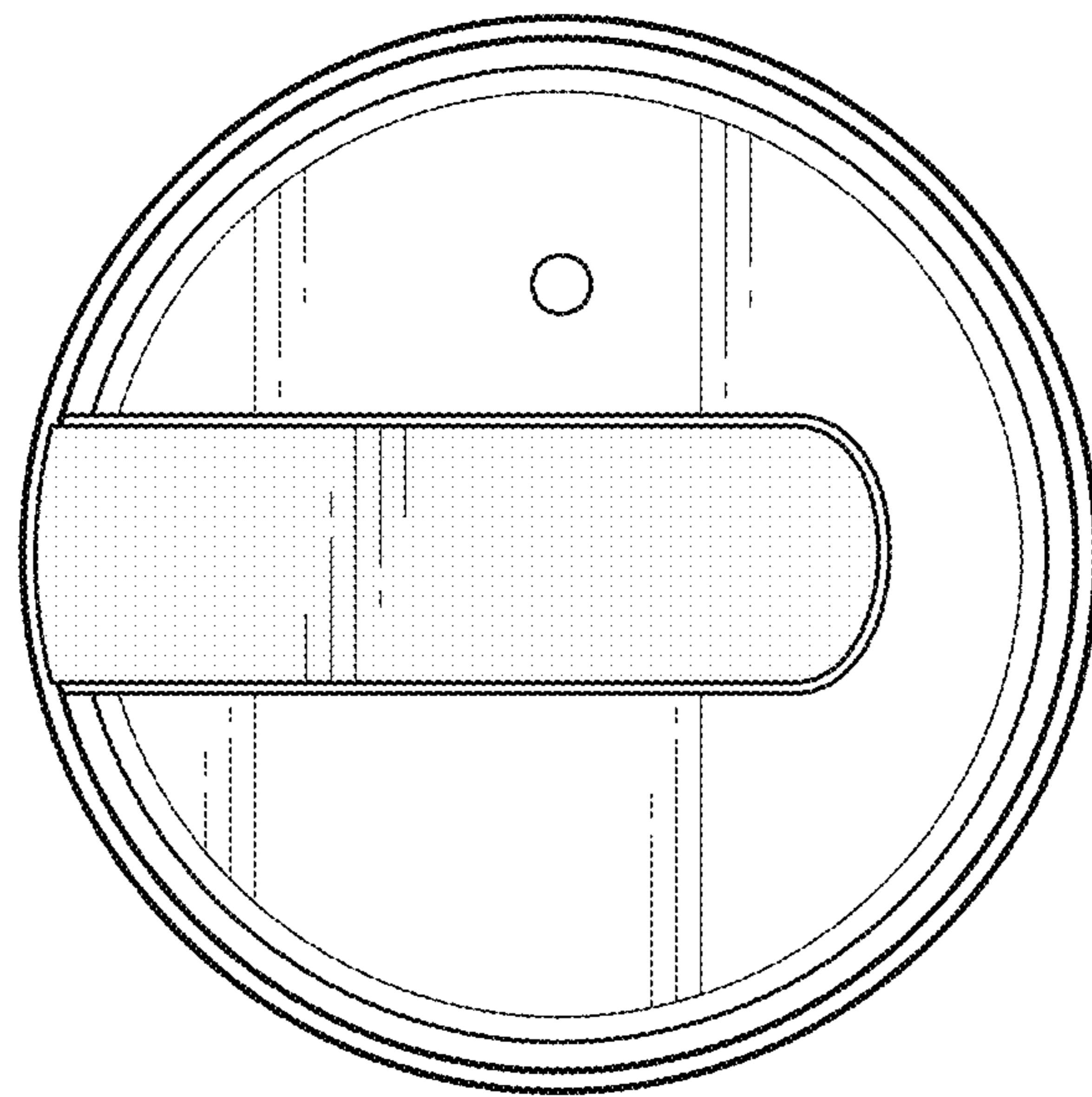


FIG. 17