



US00D772203S

(12) **United States Design Patent**  
**Zeng**

(10) **Patent No.:** **US D772,203 S**

(45) **Date of Patent:** **\*\* Nov. 22, 2016**

(54) **HEADSET**

(71) Applicant: **GN Netcom A/S**, Ballerup (DK)

(72) Inventor: **Bill Zeng**, Xiamen (CN)

(73) Assignee: **GN Netcom A/S** (DK)

(\*\*) Term: **14 Years**

(21) Appl. No.: **29/526,680**

(22) Filed: **May 12, 2015**

(30) **Foreign Application Priority Data**

Nov. 12, 2014 (EM) ..... 002576397-0001

(51) **LOC (10) Cl.** ..... **14-01**

(52) **U.S. Cl.**  
USPC ..... **D14/223**

(58) **Field of Classification Search**

USPC ..... D14/205, 249, 240, 188, 192, 223;  
D29/112; 2/209; 181/129, 130, 135;  
381/380, 381, 370, 377, 378, 374, 385,  
381/74; 455/90.3, 575.1

CPC ..... H04R 5/033; H04R 5/0335; H04R 1/10;  
H04R 1/1066; H04R 25/00

See application file for complete search history.

(56) **References Cited**

**U.S. PATENT DOCUMENTS**

D388,093 S \* 12/1997 Frengley ..... D14/223  
D480,073 S \* 9/2003 Jensen ..... D14/224  
D518,816 S \* 4/2006 Naito ..... D14/205  
D520,497 S \* 5/2006 Yang ..... D14/223  
7,079,664 B2 \* 7/2006 Nassimi ..... H04R 25/558  
381/328  
D528,529 S \* 9/2006 Rose ..... D14/138 R  
D528,531 S \* 9/2006 Rose ..... D14/138 R  
D536,692 S \* 2/2007 Alwicker ..... D14/188  
D538,271 S \* 3/2007 Kim ..... D14/223  
D538,792 S \* 3/2007 Kim ..... D14/223  
D539,782 S \* 4/2007 Lee ..... D14/188

D539,787 S \* 4/2007 Kim ..... D14/223  
D552,087 S \* 10/2007 Wei ..... D14/223  
D552,596 S \* 10/2007 Christopher ..... D14/205  
D553,613 S \* 10/2007 Sade ..... D14/223  
D554,626 S \* 11/2007 Christopher ..... D14/223  
D555,151 S \* 11/2007 Eklund ..... D14/223  
D562,310 S \* 2/2008 Moon ..... D14/223  
D564,500 S \* 3/2008 Wang ..... D14/205  
D566,103 S \* 4/2008 Sade ..... D14/223  
D568,301 S \* 5/2008 Kim ..... D14/205  
D573,582 S \* 7/2008 Ma ..... D14/205  
D573,983 S \* 7/2008 Bang ..... D14/223  
D574,366 S \* 8/2008 Sade ..... D14/223  
D575,277 S \* 8/2008 Gaarde ..... D14/205  
D581,396 S \* 11/2008 Wikel ..... D14/206  
D582,897 S \* 12/2008 Christopher ..... D14/223  
D585,430 S \* 1/2009 Kim ..... D14/223  
D588,113 S \* 3/2009 Bradford ..... D14/223  
D590,377 S \* 4/2009 Bradford ..... D14/223  
D590,378 S \* 4/2009 Bradford ..... D14/223  
D590,813 S \* 4/2009 Bradford ..... D14/205  
D598,900 S \* 8/2009 Wikel ..... D14/223  
D603,378 S \* 11/2009 Paradise ..... D14/223

(Continued)

*Primary Examiner* — Paula Greene

(74) *Attorney, Agent, or Firm* — Altera Law Group, LLC

(57) **CLAIM**

The ornamental design for a headset, as shown and described.

**DESCRIPTION**

FIG. 1 is a front perspective view of a headset showing my new design.

FIG. 2 is a right view thereof.

FIG. 3 is a left view thereof.

FIG. 4 is a front view thereof.

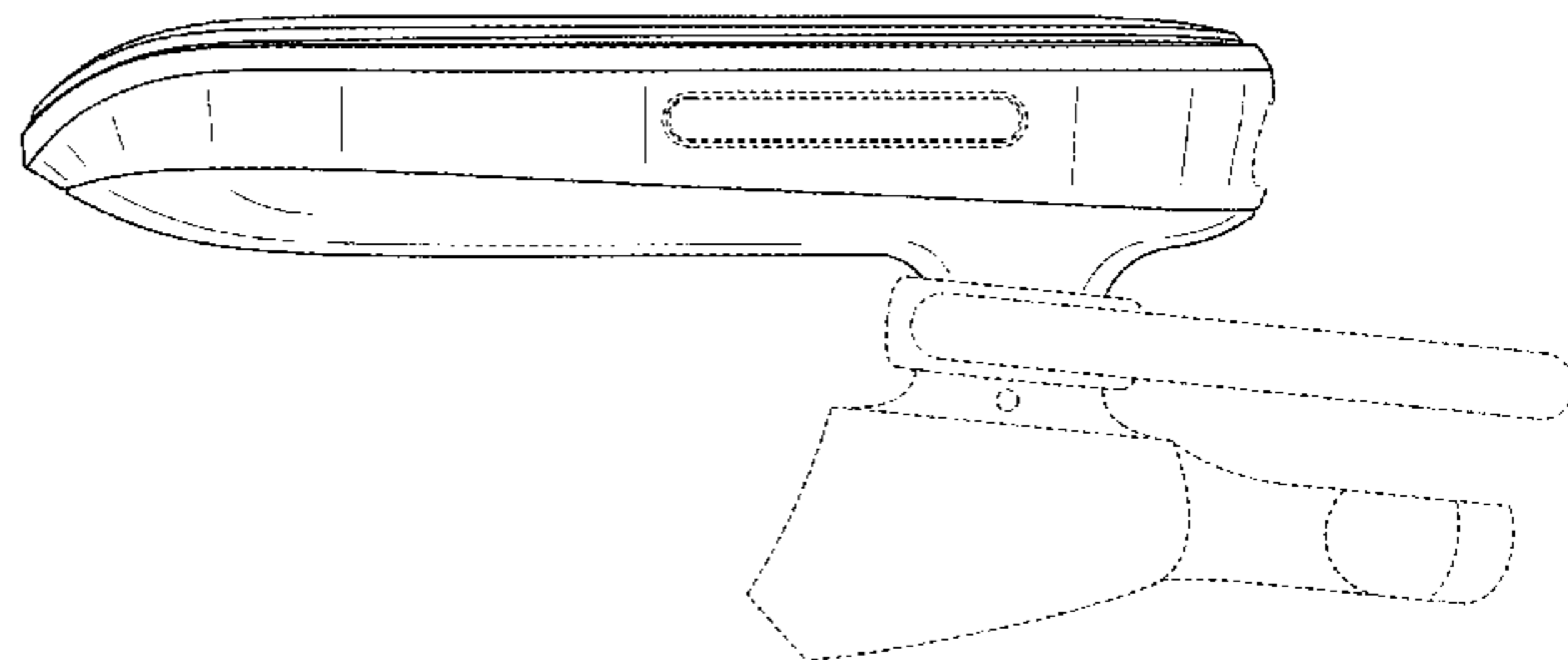
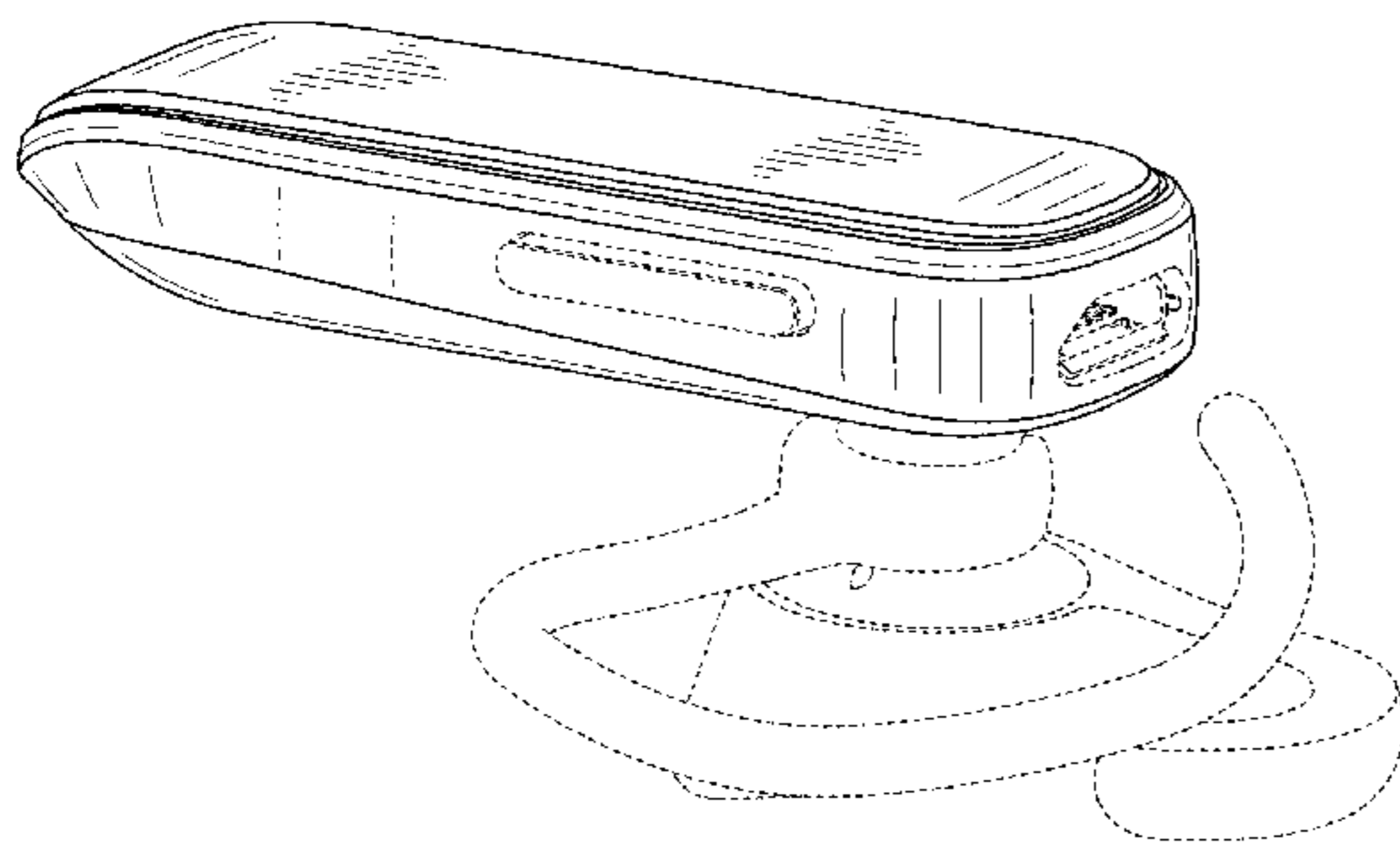
FIG. 5 is a back view thereof.

FIG. 6 is a top view thereof; and,

FIG. 7 is a bottom view thereof.

The features shown in broken lines depict environmental subject matter only and form no part of the claimed design.

**1 Claim, 7 Drawing Sheets**



(56)

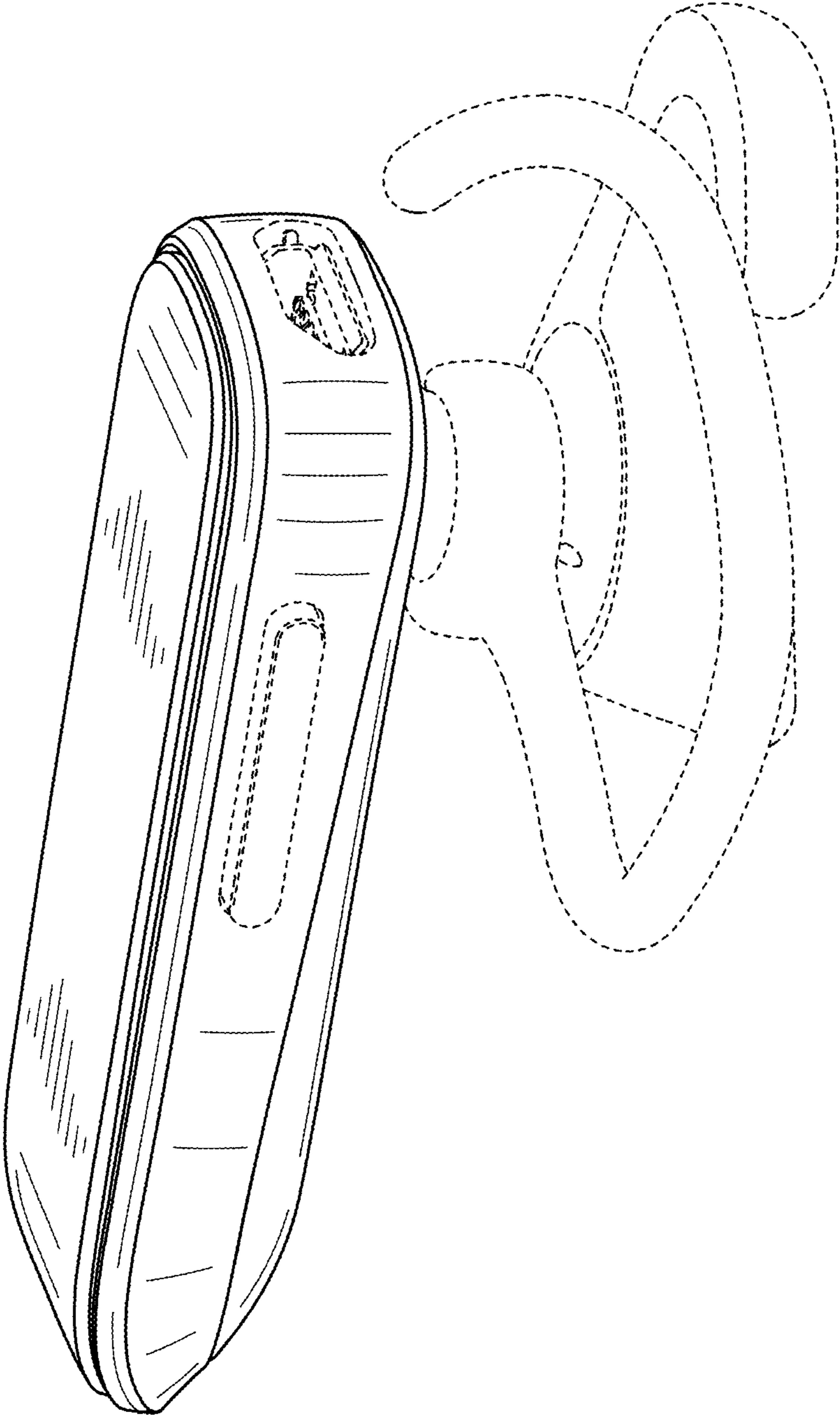
References Cited

U.S. PATENT DOCUMENTS

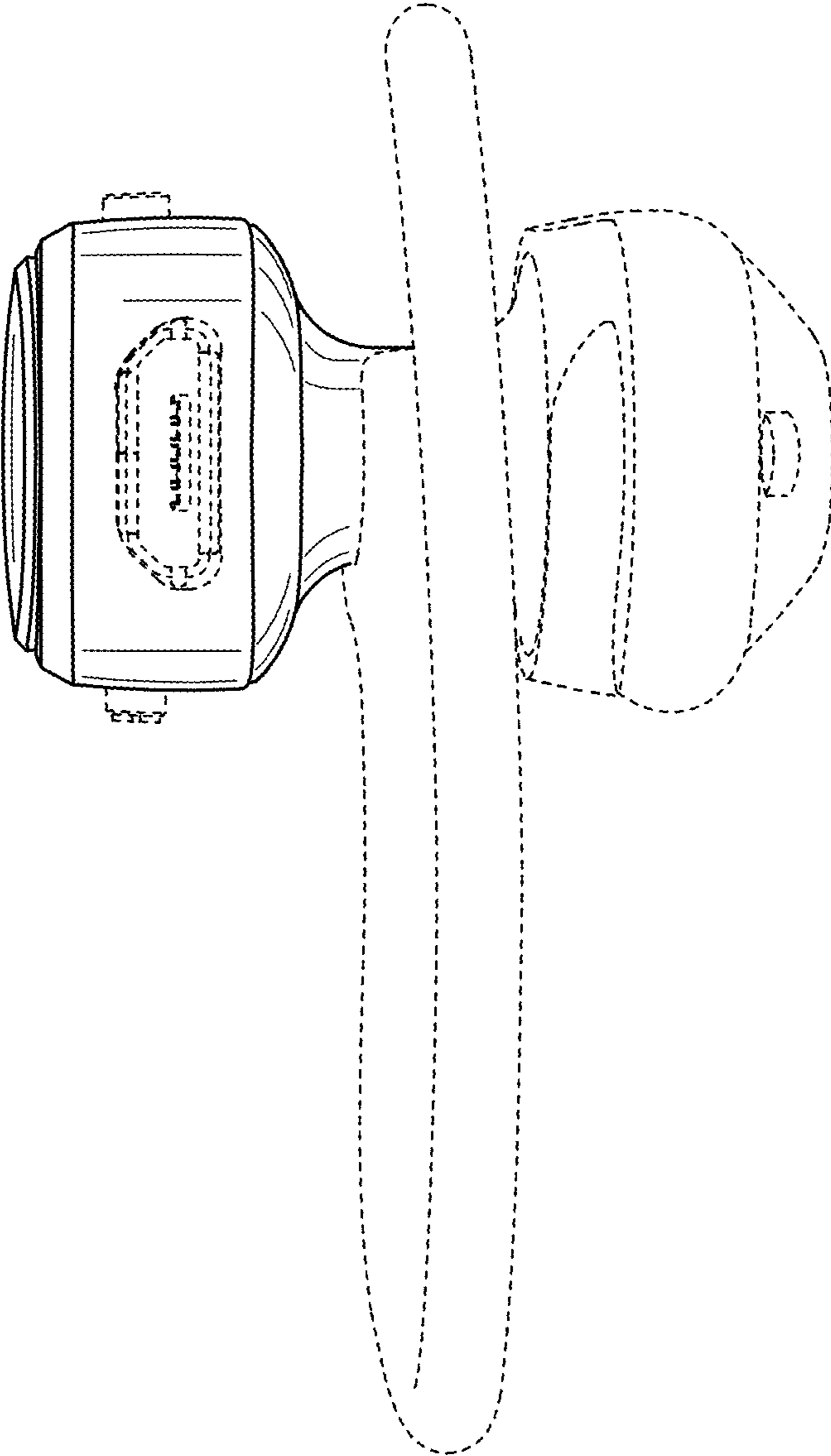
D604,722 S \* 11/2009 Mistry ..... D14/223  
 D618,221 S \* 6/2010 Fahrendorff ..... D14/223  
 D628,990 S \* 12/2010 Pedersen ..... D14/223  
 D634,305 S \* 3/2011 Hoggarth ..... D14/223  
 D636,381 S \* 4/2011 Liner ..... D14/223  
 7,925,037 B2 \* 4/2011 Te Riet ..... H04M 1/05  
 381/330  
 D637,183 S \* 5/2011 March ..... D14/223  
 D640,242 S \* 6/2011 Fahrendorff ..... D14/223  
 D643,420 S \* 8/2011 Huang ..... D14/223  
 D645,456 S \* 9/2011 Carr ..... D14/223  
 D645,458 S \* 9/2011 Silvestri ..... D14/223  
 D649,957 S \* 12/2011 Fahrendorff ..... D14/223  
 D656,128 S \* 3/2012 Park ..... D14/223  
 D656,490 S \* 3/2012 Birger ..... D14/223  
 8,139,808 B2 \* 3/2012 Liu ..... H04M 1/05  
 381/330  
 D657,781 S \* 4/2012 Yang ..... D14/223  
 D664,950 S \* 8/2012 Rye ..... D14/223

8,249,287 B2 \* 8/2012 Silvestri ..... H04R 1/1016  
 381/370  
 8,270,915 B2 \* 9/2012 Sanford ..... H01Q 1/243  
 343/904  
 8,285,208 B2 \* 10/2012 Terlizzi ..... H04M 1/05  
 379/428.02  
 D675,600 S \* 2/2013 Koch ..... D14/223  
 D693,796 S \* 11/2013 Birger ..... D14/223  
 D694,220 S \* 11/2013 Lee ..... D14/223  
 8,611,578 B2 \* 12/2013 Kim ..... H02J 7/0044  
 379/420.01  
 D707,659 S \* 6/2014 Henning ..... D14/223  
 D726,694 S \* 4/2015 Behar ..... D14/223  
 D728,533 S \* 5/2015 Poulsen ..... D14/223  
 D733,689 S \* 7/2015 Narita ..... D14/223  
 D746,267 S \* 12/2015 Birger ..... D14/223  
 2003/0012396 A1 \* 1/2003 Smith ..... H04R 1/105  
 381/381  
 2007/0116309 A1 \* 5/2007 Smith ..... H04R 1/1016  
 381/313  
 2008/0013774 A1 \* 1/2008 Hosaka ..... H04R 1/1075  
 381/380  
 2013/0004011 A1 \* 1/2013 Hayashida ..... H04R 1/1016  
 381/380

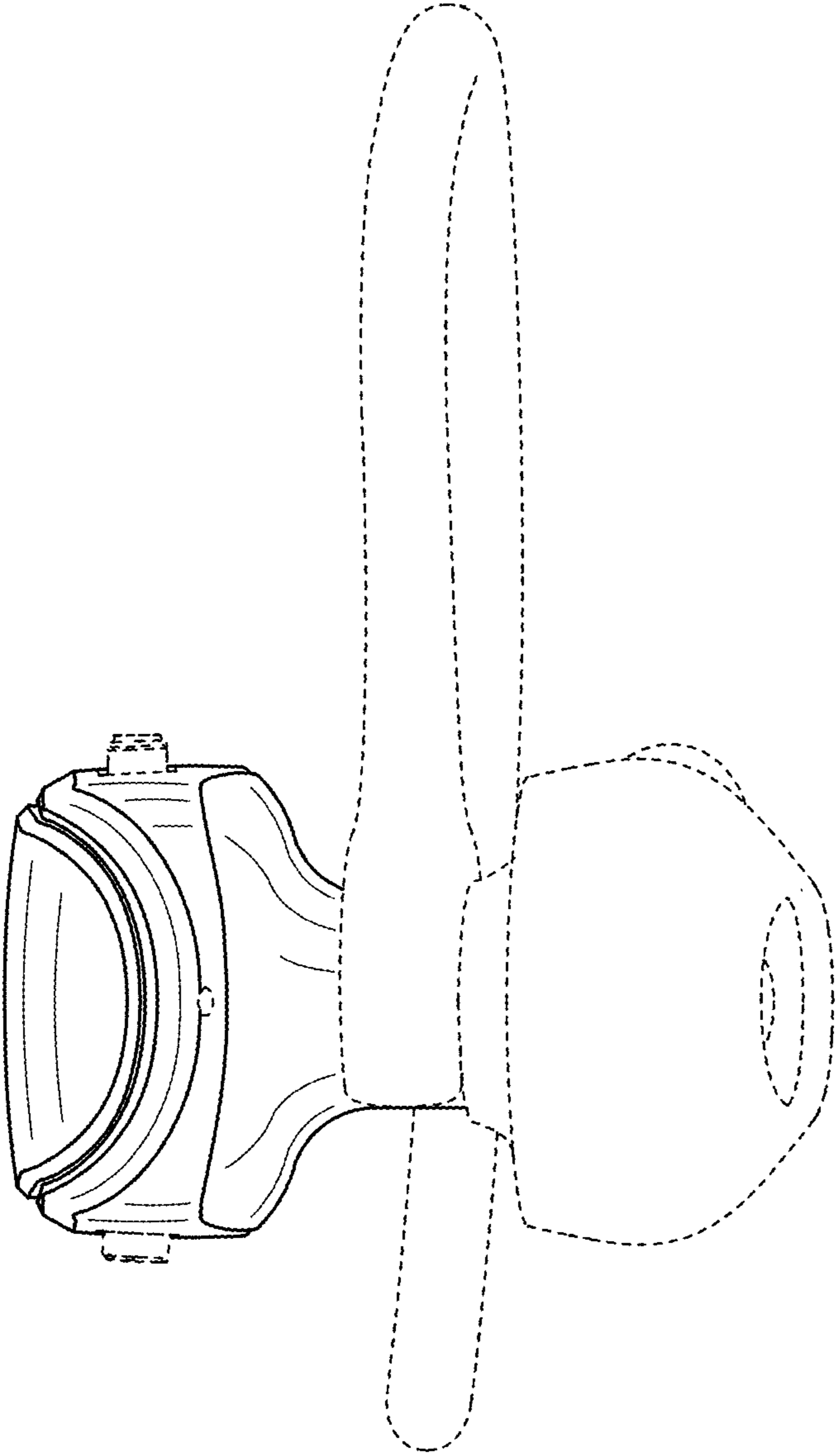
\* cited by examiner



**FIG. 1**



**FIG. 2**



**FIG. 3**



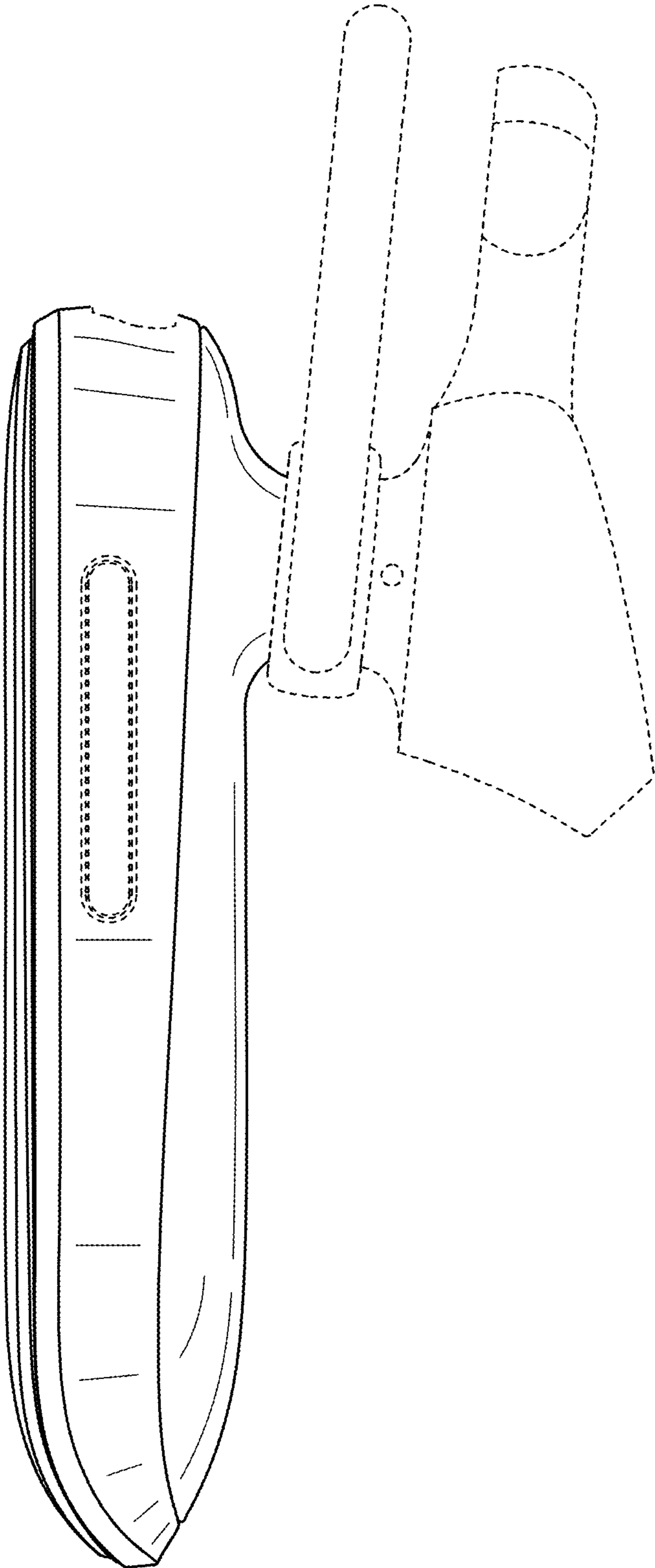


FIG. 4

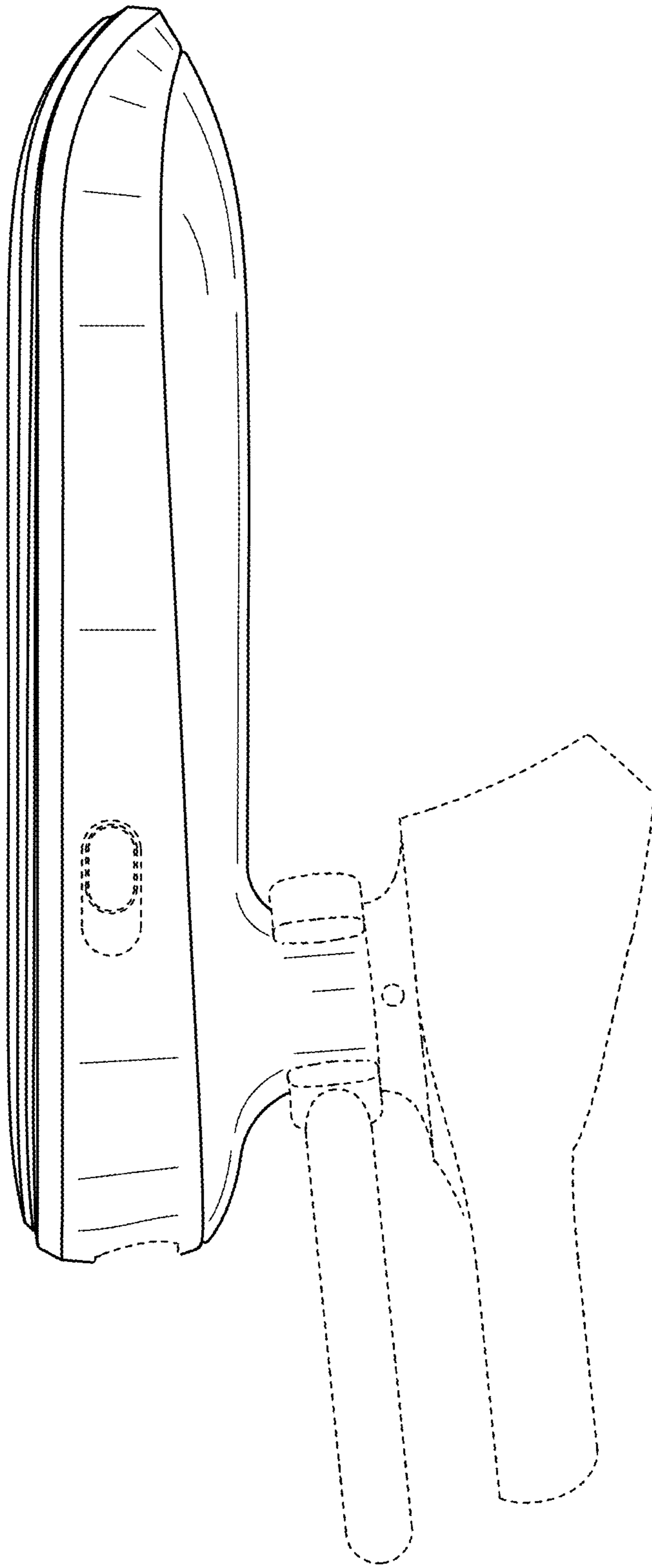
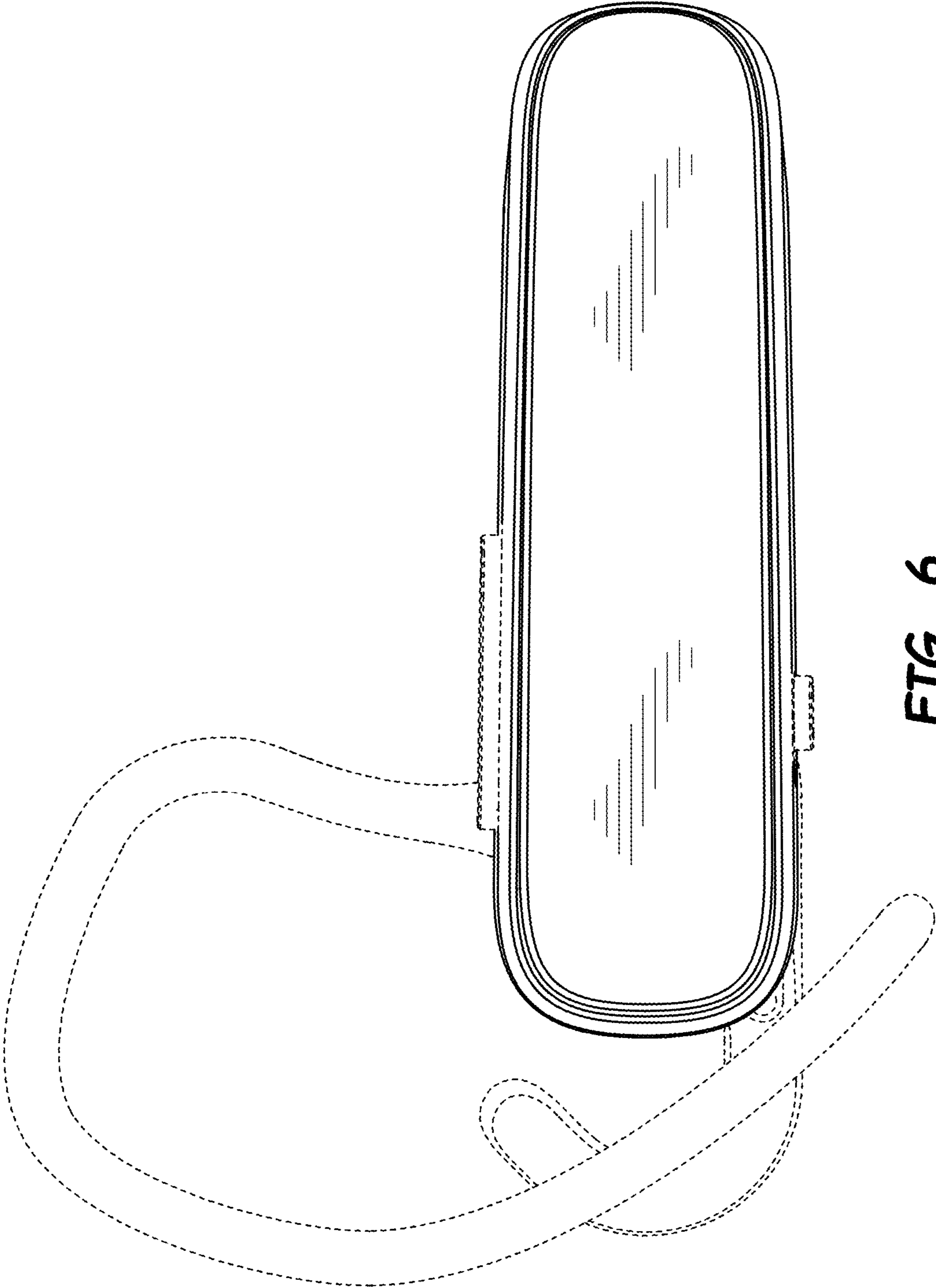
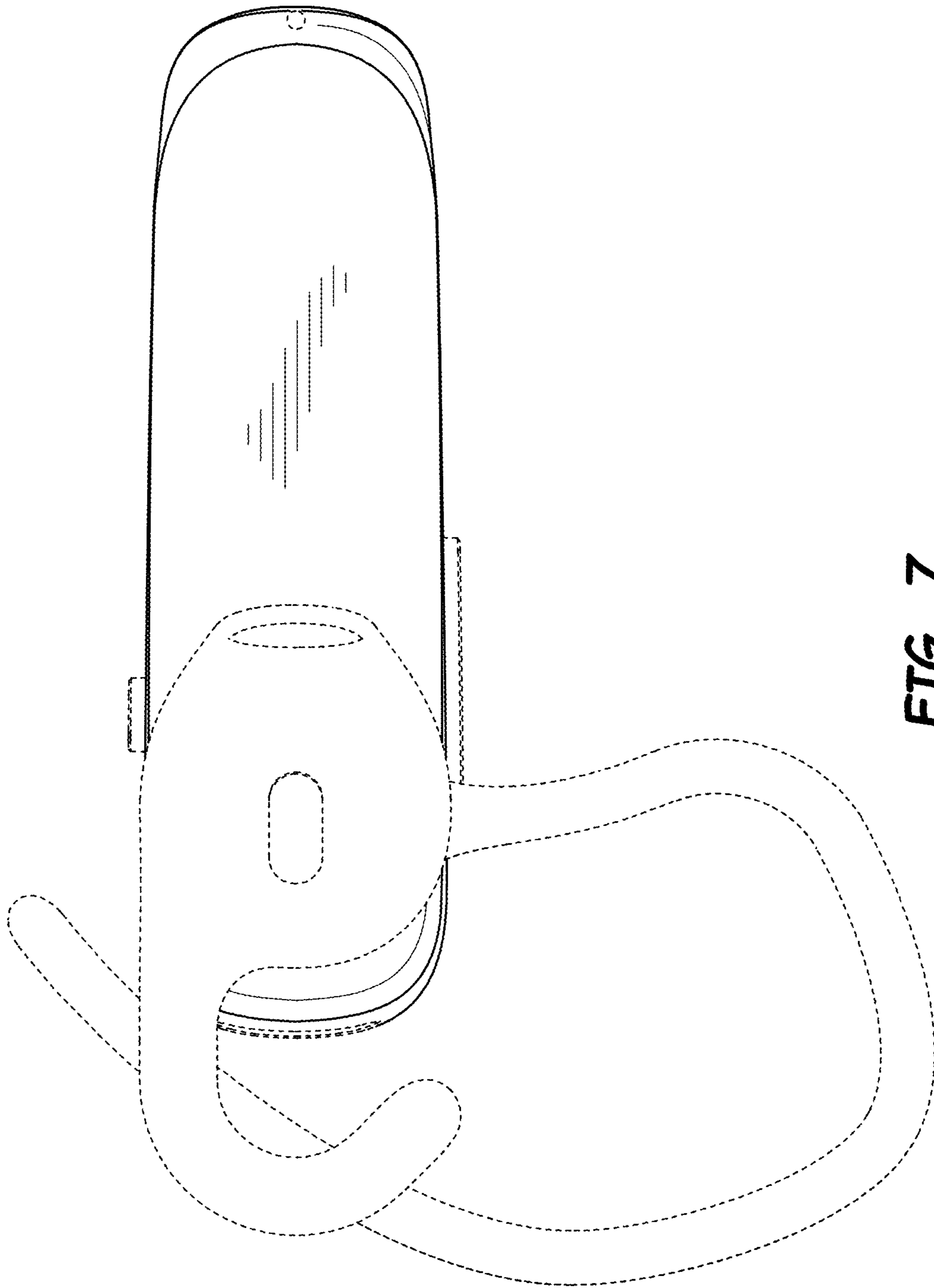


FIG. 5



**FIG. 6**





**FIG. 7**