



US00D772201S

(12) **United States Design Patent** (10) **Patent No.:** **US D772,201 S**
Lepchenske (45) **Date of Patent:** **** Nov. 22, 2016**

(54) **CONTROL DEVICE**

FOREIGN PATENT DOCUMENTS

(71) Applicant: **Kirk Lepchenske**, Pocatello (ID)

EM 000483532-001 * 3/2006
JP D1528689 * 7/2015

(72) Inventor: **Kirk Lepchenske**, Pocatello (ID)

(Continued)

(**) Term: **15 Years**

OTHER PUBLICATIONS

(21) Appl. No.: **29/533,282**

(22) Filed: **Jul. 15, 2015**

(51) **LOC (10) Cl.** **14-03**

(52) **U.S. Cl.**
USPC **D14/218**

(58) **Field of Classification Search**
USPC D14/218, 188, 225, 205, 155; D13/168;
D21/566, 333; D10/104.1, 106.2;
D15/199

CPC A61L 2/10; G06F 3/033; G09G 5/08;
G08C 19/12; G08C 17/02; G08G 5/08;
H05K 5/03; H04B 10/00; H01H 9/02

See application file for complete search history.

Amazon.com: Panasonic ErgoFit Best in Class In-Ear Earbuds Headphones with Mic/Controller, review date Nov. 18, 2013, [\(Continued\)](https://www.amazon.com/...nasonic-Headphones-Controller-RP-TCM125-W-Compatible/dp/B00E4LGU1Y/ref=sr_1_136?ie=UTF8&qid=1473816589&sr=8-136&keywords=audio+controller, [site visited Sep. 13, 2016 9:32:39 PM].*</p></div>
<div data-bbox=)

Primary Examiner — John Windmuller

Assistant Examiner — John R Yeh

(74) *Attorney, Agent, or Firm* — Flaig Law Office, PLLC; Jason E. Flaig

(56) **References Cited**

U.S. PATENT DOCUMENTS

- D222,967 S 2/1972 Hawkins et al.
- D271,301 S * 11/1983 Manning D13/168
- D271,762 S * 12/1983 Manning D13/168
- D318,670 S * 7/1991 Taniguchi D14/205
- D334,043 S * 3/1993 Taniguchi D14/218
- 5,486,986 A * 1/1996 Brada F21V 33/0052
362/109
- 5,499,713 A * 3/1996 Huffer H01H 9/0242
206/320
- D375,748 S 11/1996 Hartman
- D377,459 S 1/1997 Dziersk
- D401,523 S * 11/1998 Baker D10/106.2
- 5,949,407 A * 9/1999 Sato H03J 1/0025
345/169
- D463,787 S 10/2002 Beraut et al.

(Continued)

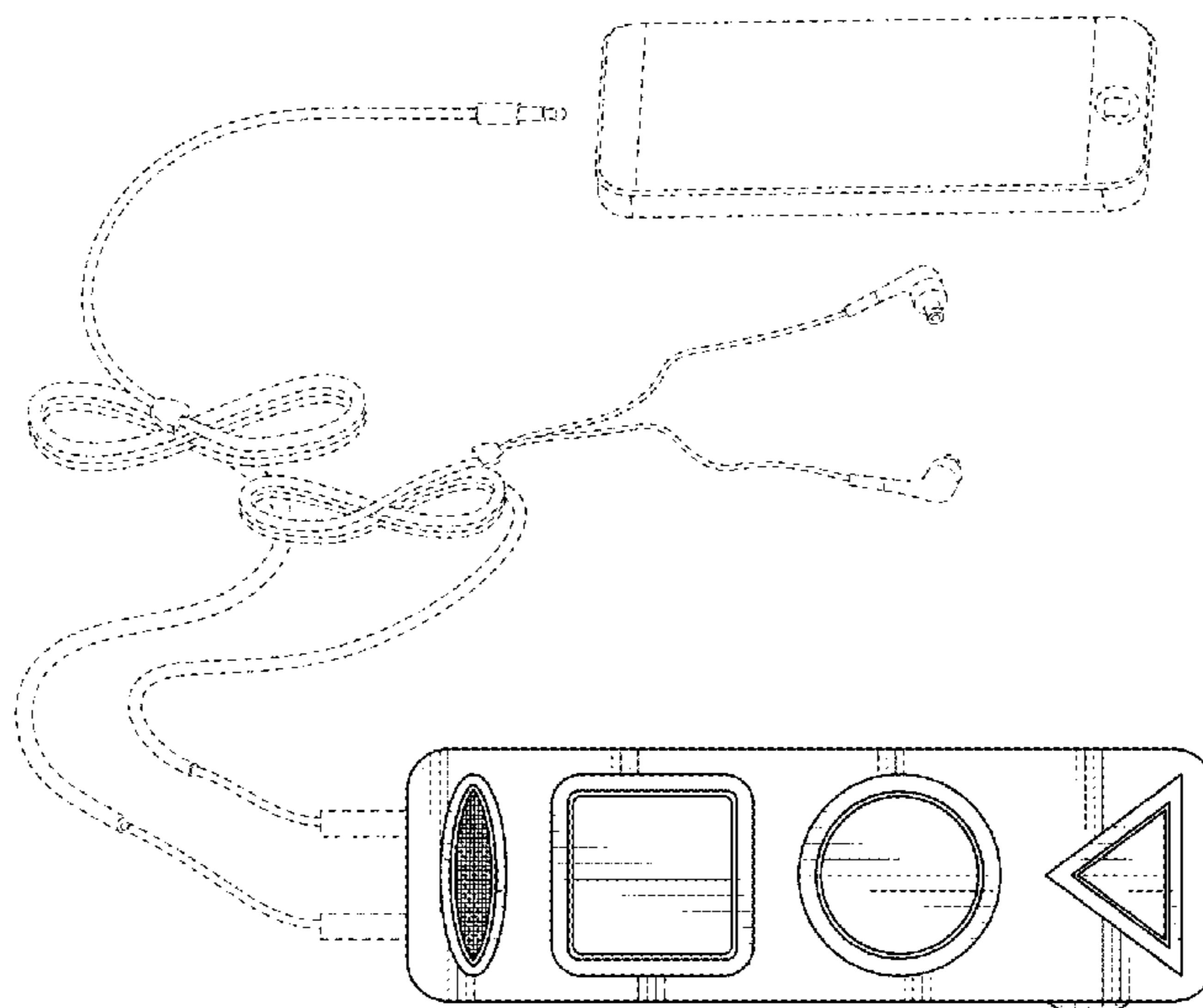
(57) **CLAIM**
The ornamental design for a control device, as shown and described.

DESCRIPTION

FIG. 1 is a top view for a control device, in accordance with the present invention;
FIG. 2 is a bottom view thereof;
FIG. 3 is a top perspective view thereof;
FIG. 4 is a bottom perspective thereof;
FIG. 5 is a left side view thereof;
FIG. 6 is a right side rear view thereof;
FIG. 7 is a front view thereof; and,
FIG. 8 is a rear view thereof.

The broken lines in the drawings are included for the purpose of illustrating environmental structure only and form no part of the claimed design.

1 Claim, 3 Drawing Sheets



(56)

References Cited

OTHER PUBLICATIONS

U.S. PATENT DOCUMENTS

D469,423 S 1/2003 Tong et al.
 D511,157 S 11/2005 Johnson
 6,991,364 B2 1/2006 Yang
 D567,229 S 4/2008 Griffin
 D585,876 S 2/2009 Griffin
 D595,262 S 6/2009 Nousiainen
 D614,166 S * 4/2010 Brickstad D14/205
 D614,167 S 4/2010 Brickstad
 D640,239 S 6/2011 McManigal
 D640,240 S 6/2011 McManigal
 7,962,040 B2 * 6/2011 Yoshikawa G08C 23/04
 398/106
 7,983,722 B2 7/2011 Lowes et al.
 8,232,963 B2 7/2012 Orsley et al.
 D671,505 S * 11/2012 Clark D13/168
 8,389,857 B2 * 3/2013 Petrillo H05B 37/0272
 174/50
 D685,750 S * 7/2013 Nakagawa D13/168
 8,548,538 B2 10/2013 Lowes et al.
 D709,837 S * 7/2014 Charleux D13/168
 8,812,064 B2 8/2014 Lowles et al.
 D712,873 S * 9/2014 Krauss D14/205
 D716,268 S * 10/2014 Yamamoto D14/218
 D717,275 S * 11/2014 Burgett D14/205
 D719,935 S * 12/2014 Diamond D14/218
 D728,528 S * 5/2015 Akana D14/218
 9,025,806 B2 5/2015 Krissman et al.
 D731,456 S * 6/2015 Dahlberg D14/205
 D735,147 S * 7/2015 Willcocks D13/168
 D747,293 S * 1/2016 Mistry D13/168
 2002/0077565 A1 * 6/2002 Burdorff A61B 10/0275
 600/566
 2007/0132740 A1 6/2007 Meiby
 2008/0084390 A1 4/2008 Jones
 2008/0242378 A1 10/2008 Lowes et al.
 2009/0057124 A1 3/2009 Orsley et al.
 2011/0230115 A1 9/2011 Wang et al.
 2011/0263303 A1 10/2011 Lowes et al.
 2011/0266122 A1 * 11/2011 Zaharchuk H01H 9/18
 200/308
 2013/0129110 A1 5/2013 Harper
 2014/0031094 A1 1/2014 Lowes et al.
 2014/0193020 A1 7/2014 Krissman et al.
 2014/0254848 A1 * 9/2014 Petterson H04R 1/1041
 381/334

FOREIGN PATENT DOCUMENTS

WO D061262-002 * 10/2002
 WO WO 2007/065732 A1 6/2007
 WO WO 2011/021937 A1 2/2011
 WO WO 2013/075098 A1 5/2013
 WO WO 2014/110056 A1 7/2014

Facebook, YodelUP, date of earliest post Jan. 10, 2016, <https://www.facebook.com/yodelup/> (accessed Jul. 21, 2016).
 Stuart Kelly, Tt eSports Shock One USB Gaming Headset Review, Apr. 11, 2011, Hardware Heaven, <http://www.hardwareheaven.com/2011/04/tt-esports-shock-one-usb-gaming-headset-review/3/>.
 Windows Central Shop, HTC Wired Remote Control Stereo Headset, at least of Nov. 30, 2009, <http://shop.windowscentral.com/htc-wired-remote-control-stereo-headset/11A29A5242.htm>, other details unknown.
 Jays AB Music & Audio, Jays Headset Control, at least of Jan. 15, 2015, https://play.google.com/store/apps/details?id=se_jays.headsetcontrol, other details unknown.
 Aliexpress, Nokia N8 N9 Universal Headset Earphone w/ Mic Volume Control Cord Clip, at least of Jan. 15, 2015, http://www.aliexpress.com/store/product/For-Nokia-N8-N9-Universal-Headset-Earphone-w-Mic-Volume-Control-Cord-Clip-Free-Shipping/324539_892457619.html, other details unknown.
 Microsoft, Xbox One Stereo Headset Adapter, at least of Jan. 15, 2015, <http://m.xbox.com/en-US/xbox-one/accessories/headsets/stereo-headset-adapter#fbid=kRJEeWrXa8O.html>, other details unknown.
 Amazon, Plantronics Audio 478 Stereo USB Headset, at least of Jan. 15, 2015, <http://www.amazon.com/Plantronics-Audio-478-Stereo-Headset/dp/B005VAORH6>, other details unknown.
 Stuart Davidson, Logitech Ultimate Ears 6000 Headset Review, at least of Jan. 15, 2015, <http://www.hardwareheaven.com/2012/09/logitech-ultimate-ears-6000-headset-review/>, other details unknown.
 Unofficialnetworks, This Glove-On FitBit Style Device Might Have Cracked the Code for Mountain Wearables . . . , Feb. 10, 2016.
 Yodel Up, Why Yodelup?, at least as early as Jul. 21, 2016, <http://www.yodelup.com/> (accessed Jul. 21, 2016).
 Internet Archive Waybackmachine, yodelup.com Coming Soon!, at least as early as Aug. 21, 2013, <http://web.archive.org/>. . . .
 Internet Archive Waybackmachine, Future Home of YodelUp.com, at least as early as Dec. 18, 2014, <http://web.archive.org/web/20141218145217/>. . . .
 Internet Archive Waybackmachine, Wear it and pair it !, at least as early as Feb. 4, 2016, <http://web.archive.org/web/20160204181840/>. . . .
 Internet Archive Waybackmachine, Kickstarter, at least as early as Mar. 5, 2016, <http://web.archive.org/web/20160305183527/>. . . .
 Yodelup Twitter, earliest tweet shown as Jan. 10, 2016, https://twitter.com/yodel_up (accessed Jul. 21, 2016).
 PR Newswire, YodelUP—World's first on-glove wearable for communication and music launches on Kickstarter, Feb. 24, 2016, <http://www.prnewswire.com/ne. . .>
 Crunchbase, YodelUP YodelUP, (date unknown), <https://www.crunchbase.com/user/506301> (accessed Jul. 21, 2016).
 Crunchbase, YodelUP, (date unknown), <https://www.crunchbase.com/organization/yodelup#/entity> (accessed Jul. 21, 2016).

* cited by examiner

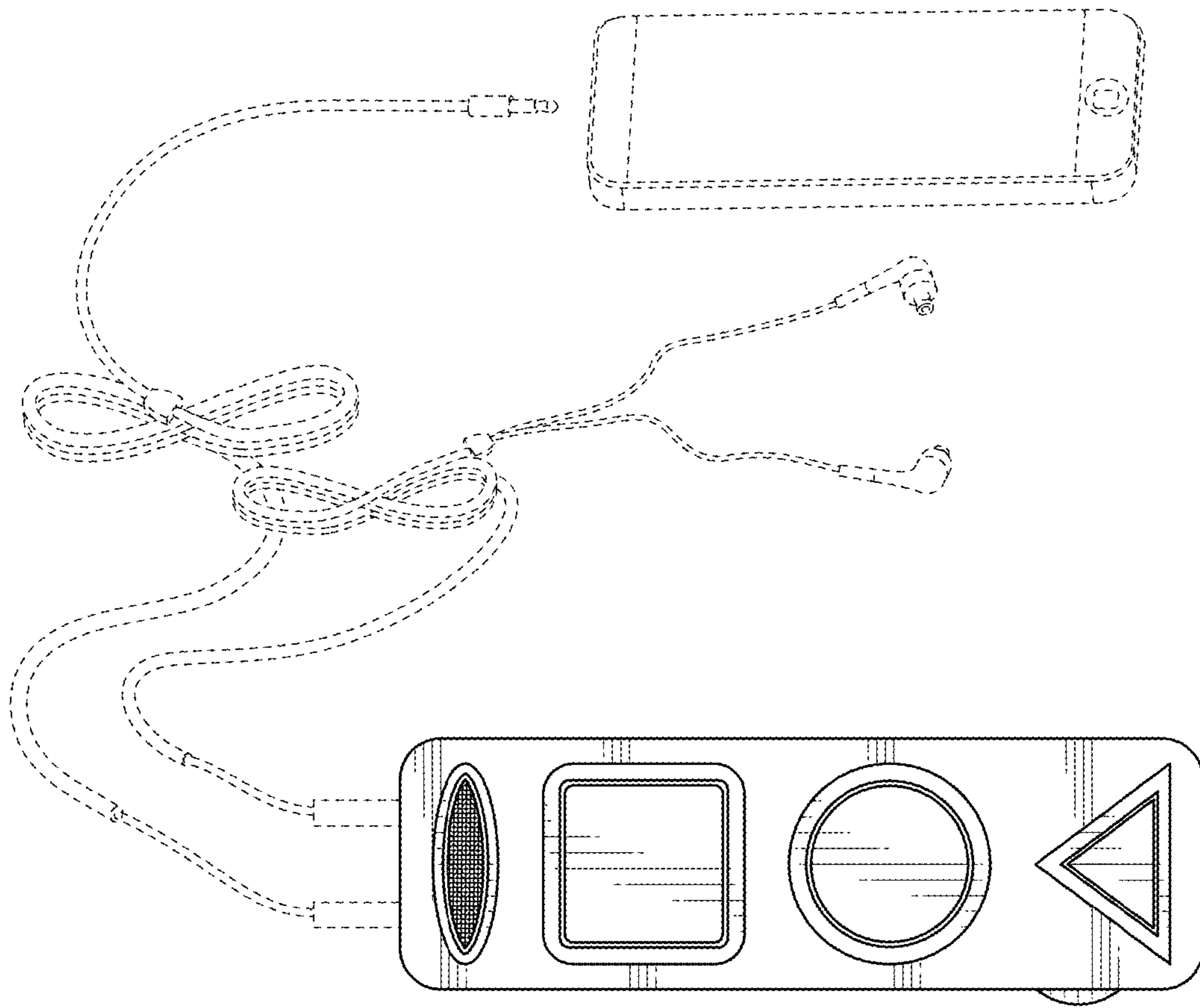


FIG. 1

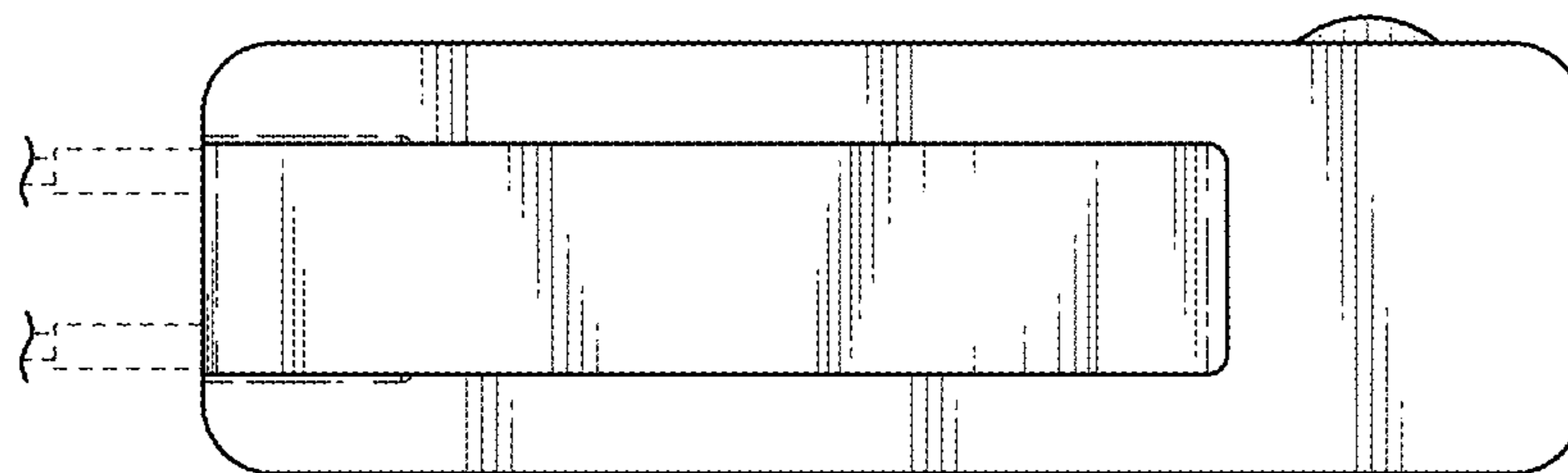


FIG. 2

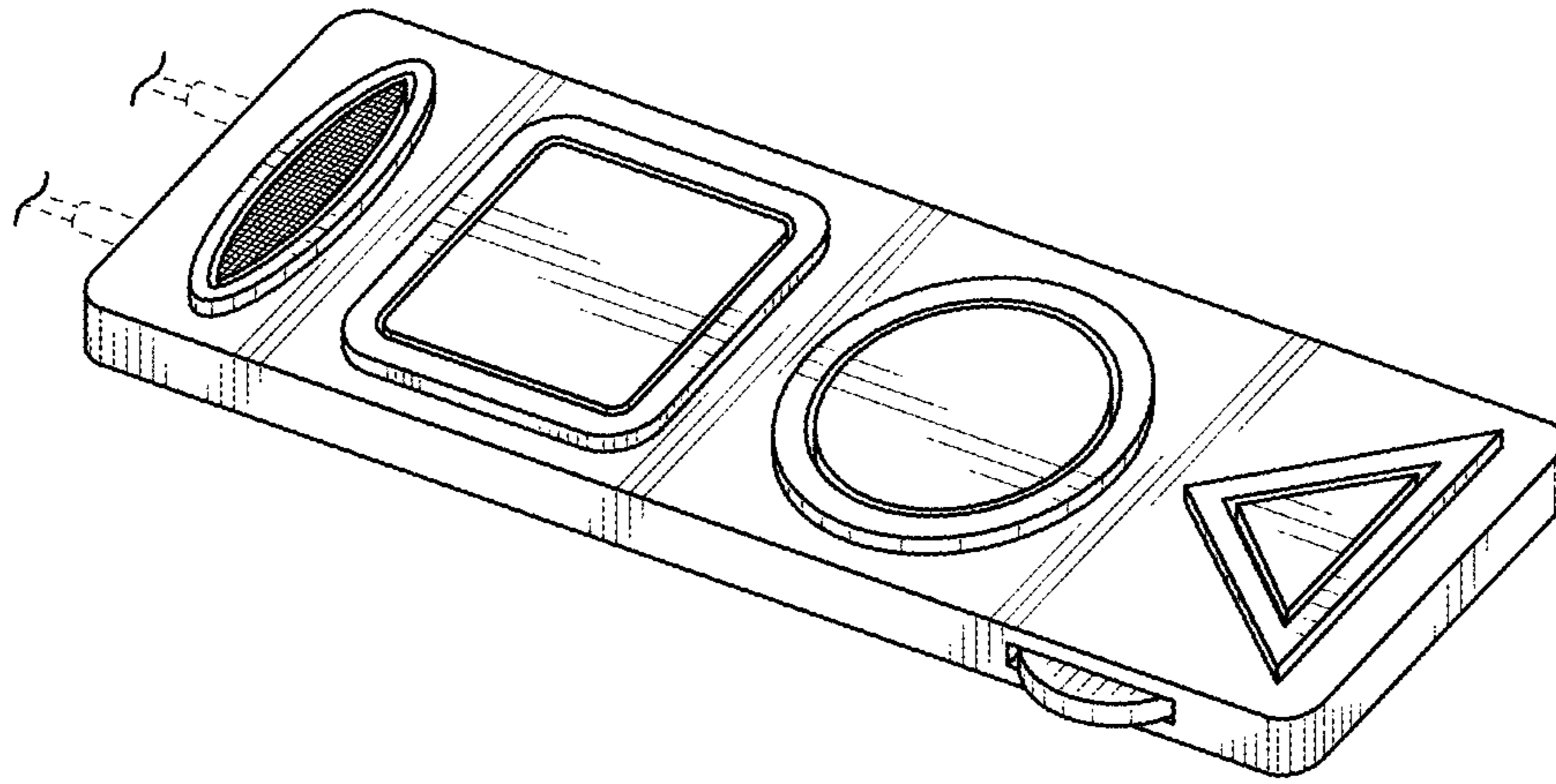


FIG. 3

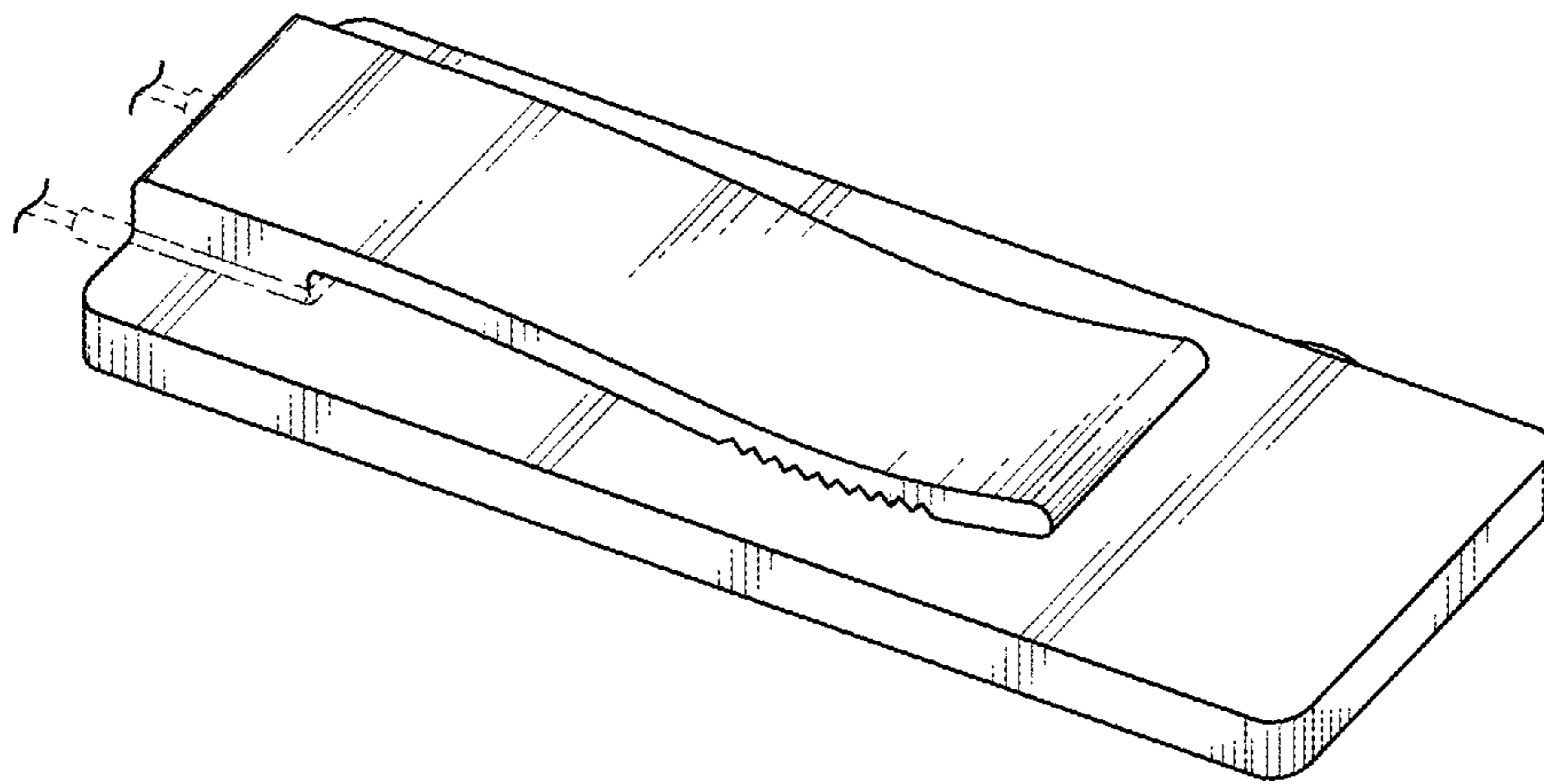


FIG. 4

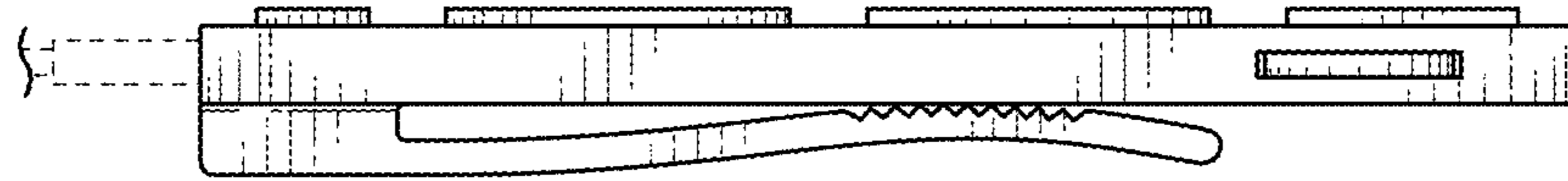


FIG. 5

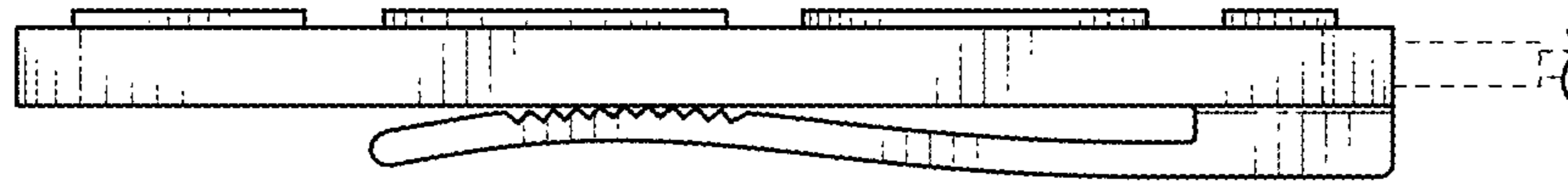


FIG. 6

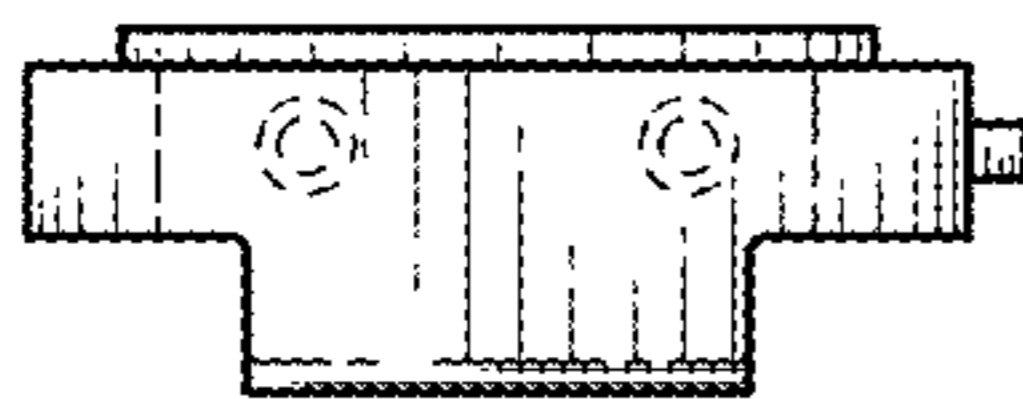


FIG. 7



FIG. 8