



US00D772198S

(12) **United States Design Patent**
Hsiao et al.

(10) **Patent No.:** **US D772,198 S**

(45) **Date of Patent:** **** Nov. 22, 2016**

(54) **SPEAKER**

(71) Applicant: **CHIWAN ART INC.**, Hsinchu (TW)

(72) Inventors: **Yung-Jing Hsiao**, Hsinchu (TW);
Tzong-Yau Chu, Hsinchu (TW)

(73) Assignee: **CHIWAN ART INC.**, Hsinchu (TW)

(**) Term: **15 Years**

(21) Appl. No.: **29/530,117**

(22) Filed: **Jun. 12, 2015**

(51) **LOC (10) Cl.** **14-01**

(52) **U.S. Cl.**
USPC **D14/208; D14/209.1**

(58) **Field of Classification Search**
USPC D14/208, 209.1, 221, 224.1, 172, 253,
D14/252, 204, 215, 214, 356, 168, 171;
D13/108, 107; 320/107; 381/340, 182;
181/150; 455/344
CPC H04R 1/02; H04R 25/00; H04R 1/30;
H05K 5/00

See application file for complete search history.

(56) **References Cited**

U.S. PATENT DOCUMENTS

D52,909 S * 1/1919 Bellis D14/204
1,397,733 A * 11/1921 Herzog G10K 13/00
181/192
1,401,753 A * 12/1921 Boissonnault H04R 1/1066
381/340
1,536,936 A * 5/1925 Rypinski G10K 11/025
381/339
D68,985 S * 12/1925 Polydoroff D14/208
D69,446 S * 2/1926 Frisch et al. D14/208
1,855,836 A * 4/1932 King H04R 1/2865
181/188
D126,873 S * 4/1941 O'Neil et al. D14/208
2,690,231 A * 9/1954 Levy G10K 11/28
181/192
3,170,538 A * 2/1965 Detrick F21V 33/0056
181/141
3,486,578 A * 12/1969 Albarino H04R 1/2842
181/153

D253,700 S * 12/1979 Gillum D14/214
4,324,313 A * 4/1982 Nakagawa H04R 1/30
181/187
4,756,382 A * 7/1988 Hudson, III H04R 1/227
181/141
5,103,482 A * 4/1992 Fabri-Conti H04R 1/30
181/152
D329,237 S * 9/1992 Ishikawa D14/216
D338,467 S * 8/1993 Jung D14/208
D339,588 S * 9/1993 Jung D14/208
5,298,692 A * 3/1994 Ikeda H04R 1/1016
181/135
5,444,194 A * 8/1995 Reinke H04R 1/028
181/150
D411,166 S * 6/1999 Uemura D13/107
6,014,011 A * 1/2000 DeFelice H02J 7/0004
320/107
D459,299 S * 6/2002 Hughes D13/108
D460,971 S * 7/2002 Sica D14/434
D477,823 S * 7/2003 Lavello, Sr. D14/149
D508,458 S * 8/2005 Solland D13/108
D516,025 S * 2/2006 Quinn D13/108
D532,773 S * 11/2006 Langberg D14/168
D538,787 S * 3/2007 Tsai D14/209.1
D542,279 S * 5/2007 Chan D14/216
D546,823 S * 7/2007 Dayan D14/253
D554,107 S * 10/2007 Calco D14/217
D554,108 S * 10/2007 Solland D14/217

(Continued)

Primary Examiner — Paula Greene

(74) *Attorney, Agent, or Firm* — WPAT, P.C., Intellectual
Property Attorneys; Anthony King

(57) **CLAIM**

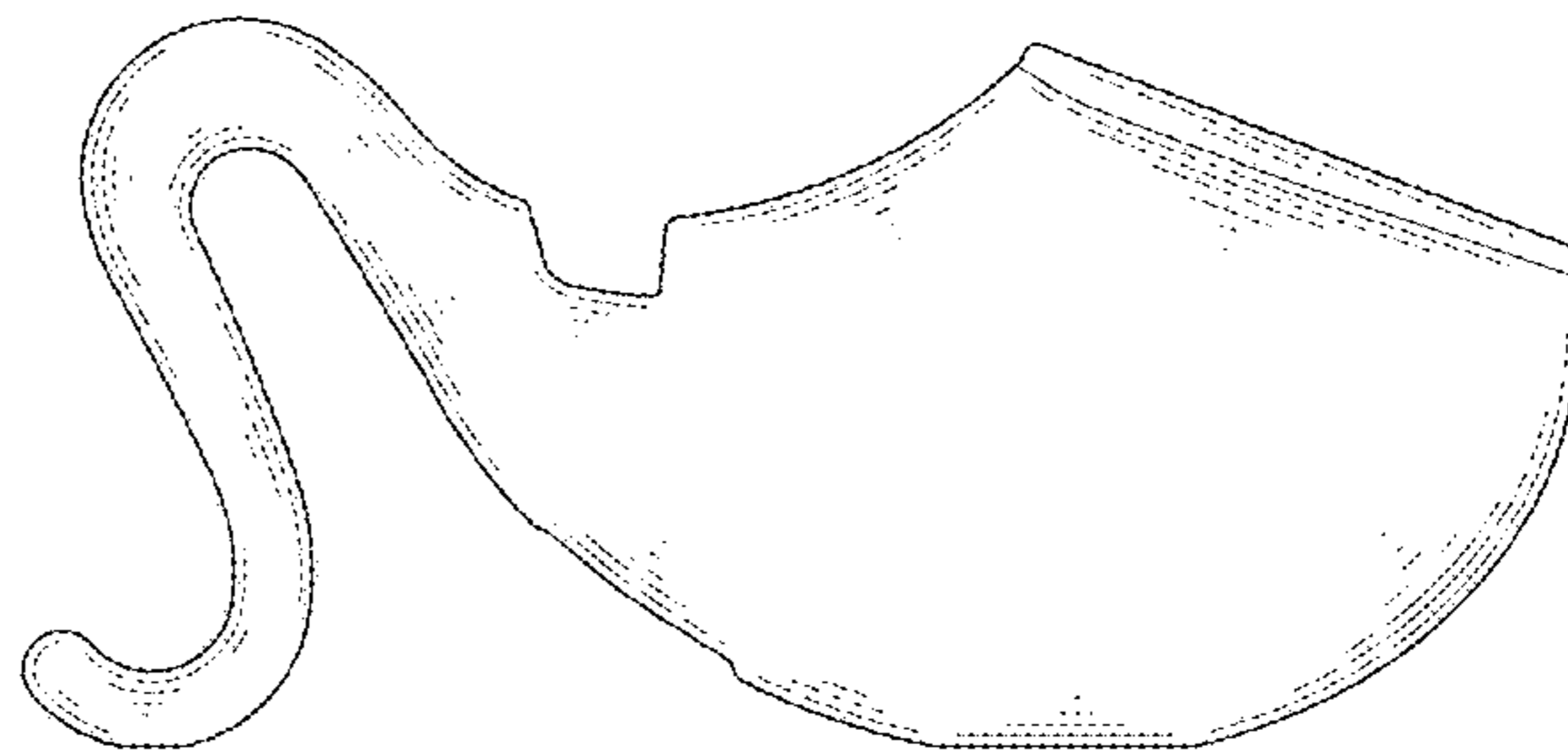
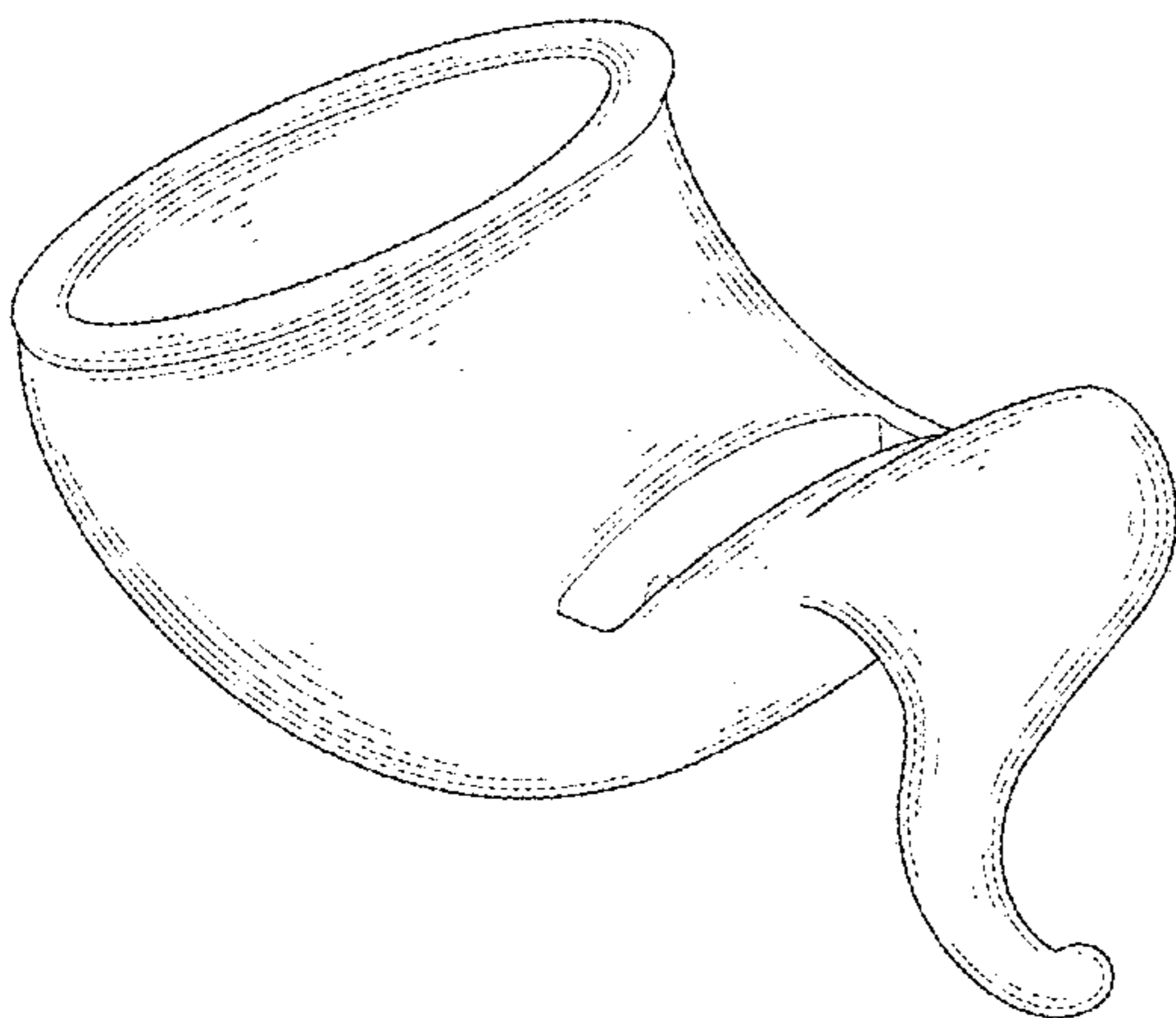
The ornamental design for a speaker, as shown and
described.

DESCRIPTION

FIG. 1 is a perspective view of a speaker showing our new
design;
FIG. 2 is another perspective view thereof;
FIG. 3 is a front view thereof;
FIG. 4 is a rear view thereof;
FIG. 5 is a left side view thereof;
FIG. 6 is a right side view thereof;
FIG. 7 is a top view thereof; and,
FIG. 8 is a bottom view thereof.

The broken lines shown are included for the purpose of
illustrating the unclaimed portions of the article and form no
part of the claimed design.

1 Claim, 8 Drawing Sheets



(56)

References Cited

U.S. PATENT DOCUMENTS

D560,208 S * 1/2008 Skurdal D14/214
 D560,657 S * 1/2008 Langberg D14/214
 D577,710 S * 9/2008 Joseph D14/204
 D582,887 S * 12/2008 Poandl D14/172
 D583,356 S * 12/2008 Schul D14/168
 D585,873 S * 2/2009 Gunnarsson c/o Jonas Hj
 rpe D14/204
 D610,127 S * 2/2010 Daniele D14/204
 D617,773 S * 6/2010 Schneller D14/208
 D659,119 S * 5/2012 Brunner D14/209.1

8,256,568 B2 * 9/2012 Lin H04B 1/3888
 181/176
 D677,650 S * 3/2013 Bosa D14/208
 D678,248 S * 3/2013 Yu D14/211
 D684,142 S * 6/2013 Sun D14/208
 D691,125 S * 10/2013 Cheon D14/253
 D711,364 S * 8/2014 Barker D14/208
 D714,282 S * 9/2014 Cheon D14/208
 D716,254 S * 10/2014 O'Brien D14/204
 D727,290 S * 4/2015 Kim D14/208
 D733,093 S * 6/2015 Corval D14/209.1
 2010/0119096 A1 * 5/2010 Suzuki G10K 9/20
 381/340

* cited by examiner

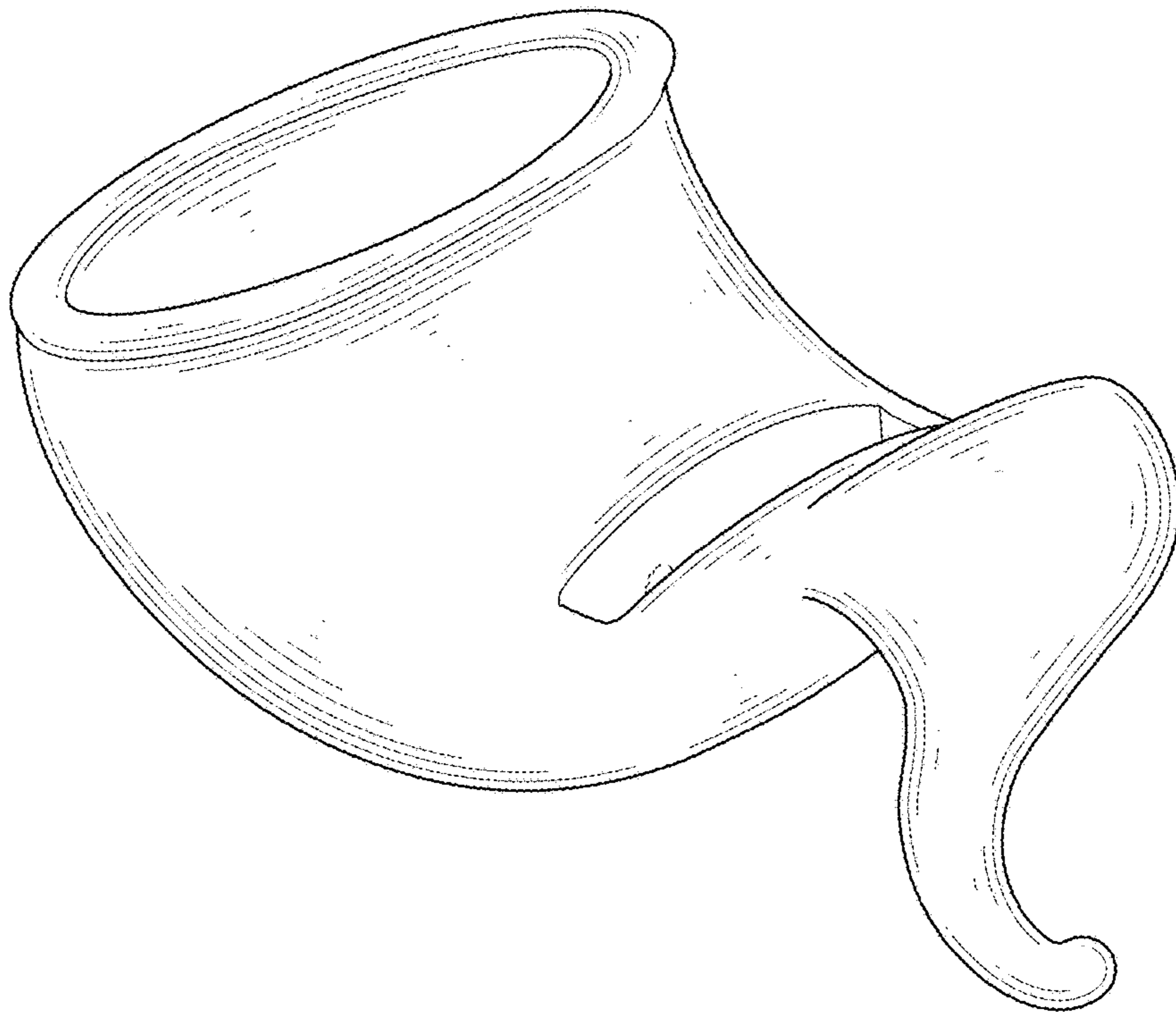


FIG.1

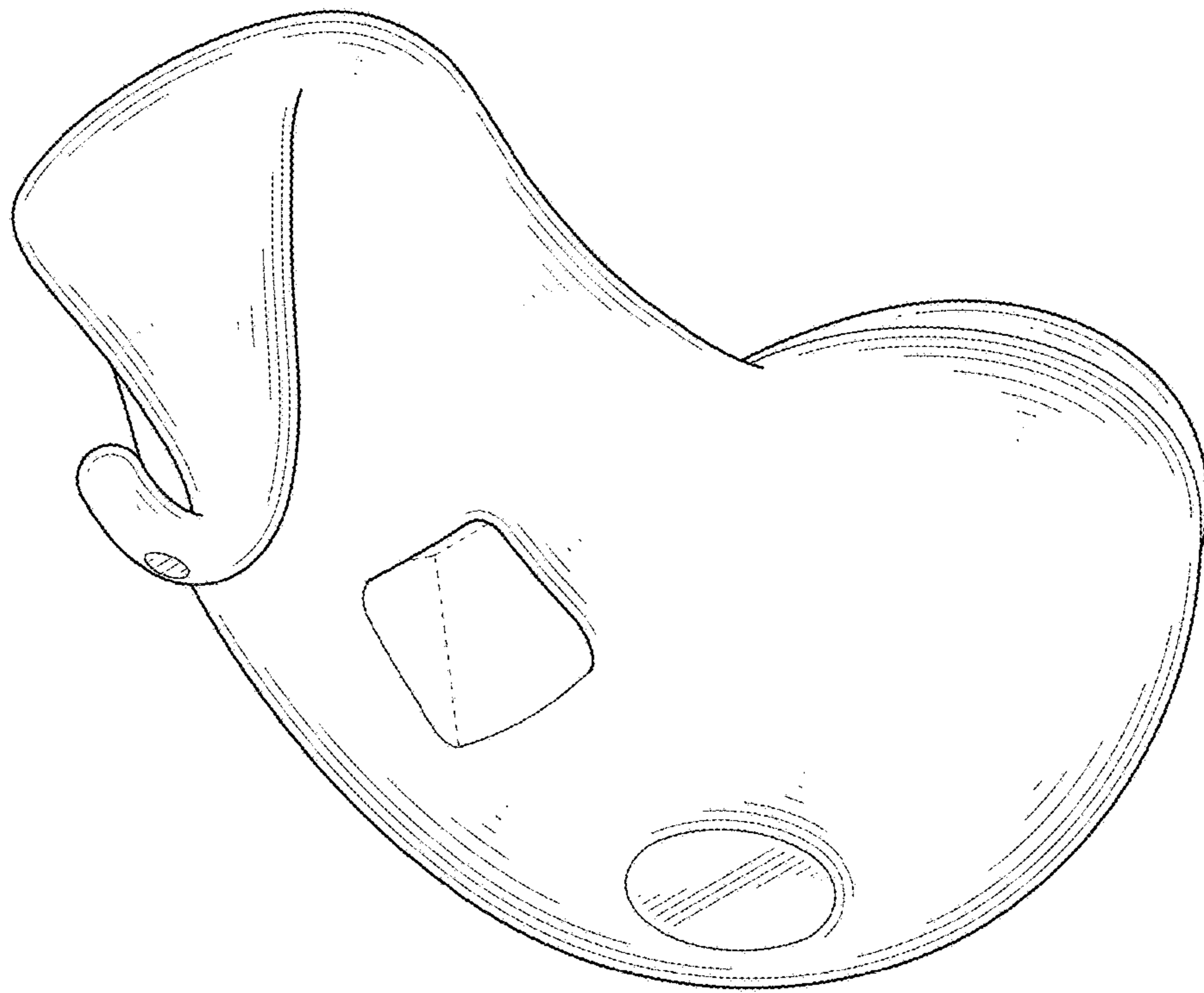


FIG.2

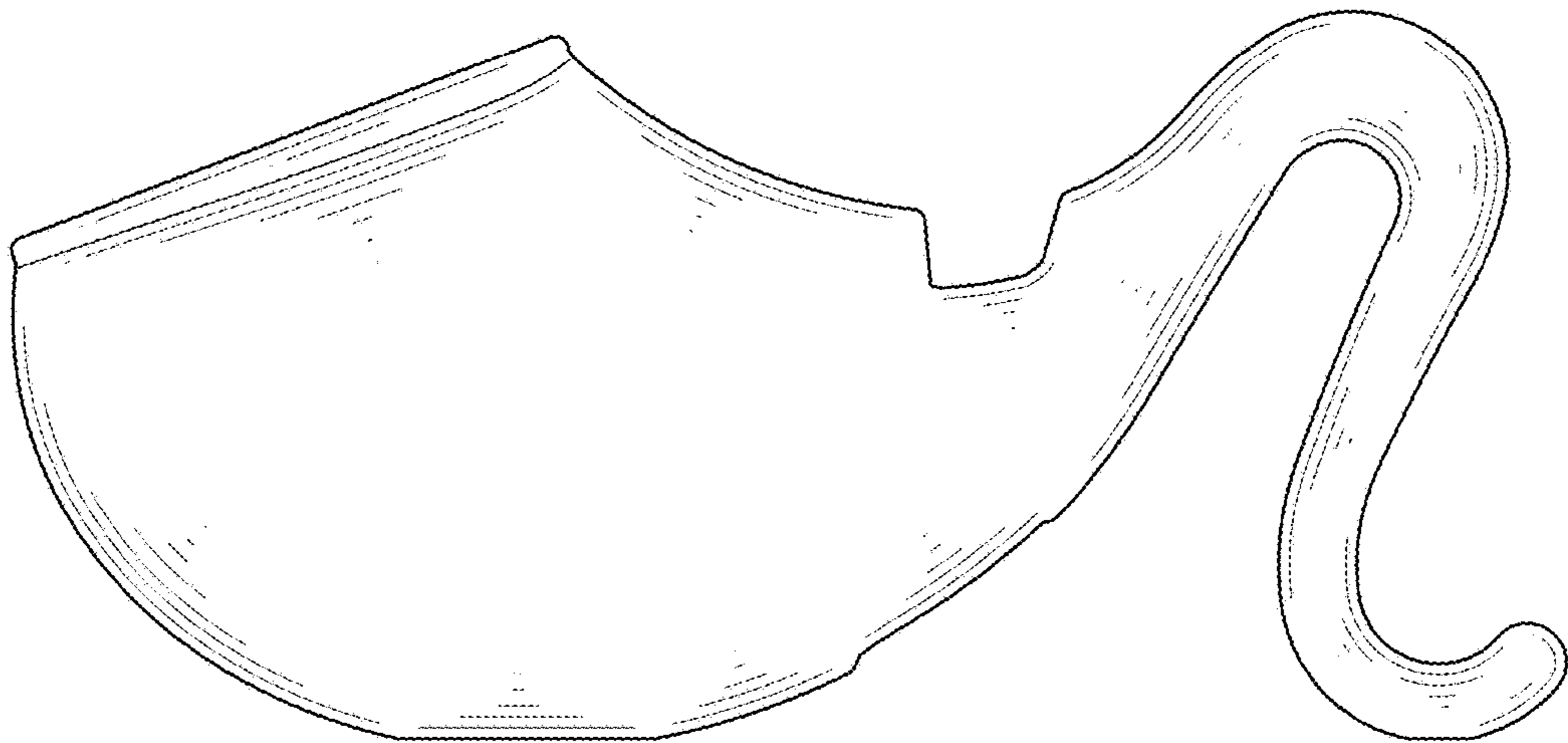


FIG.3

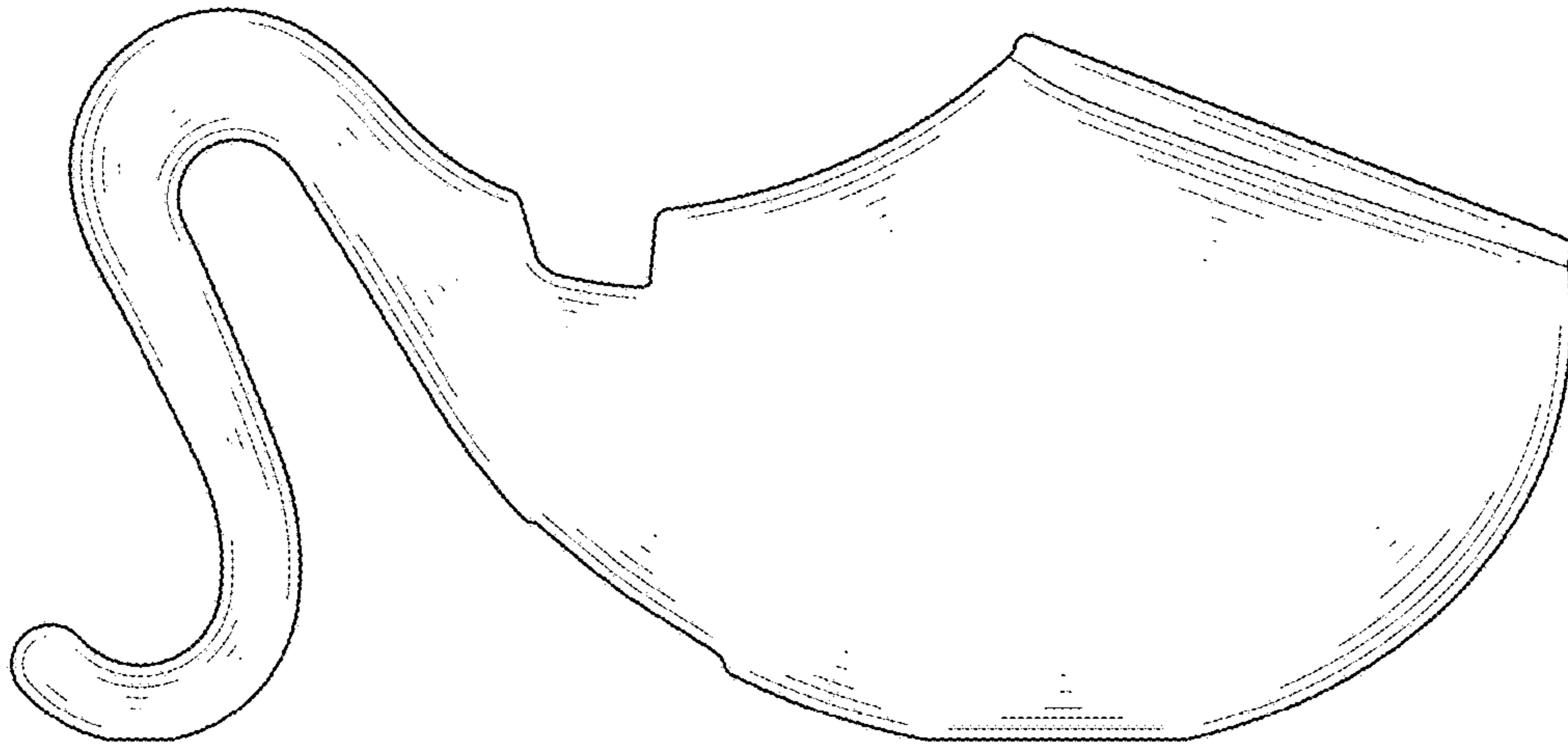


FIG. 4

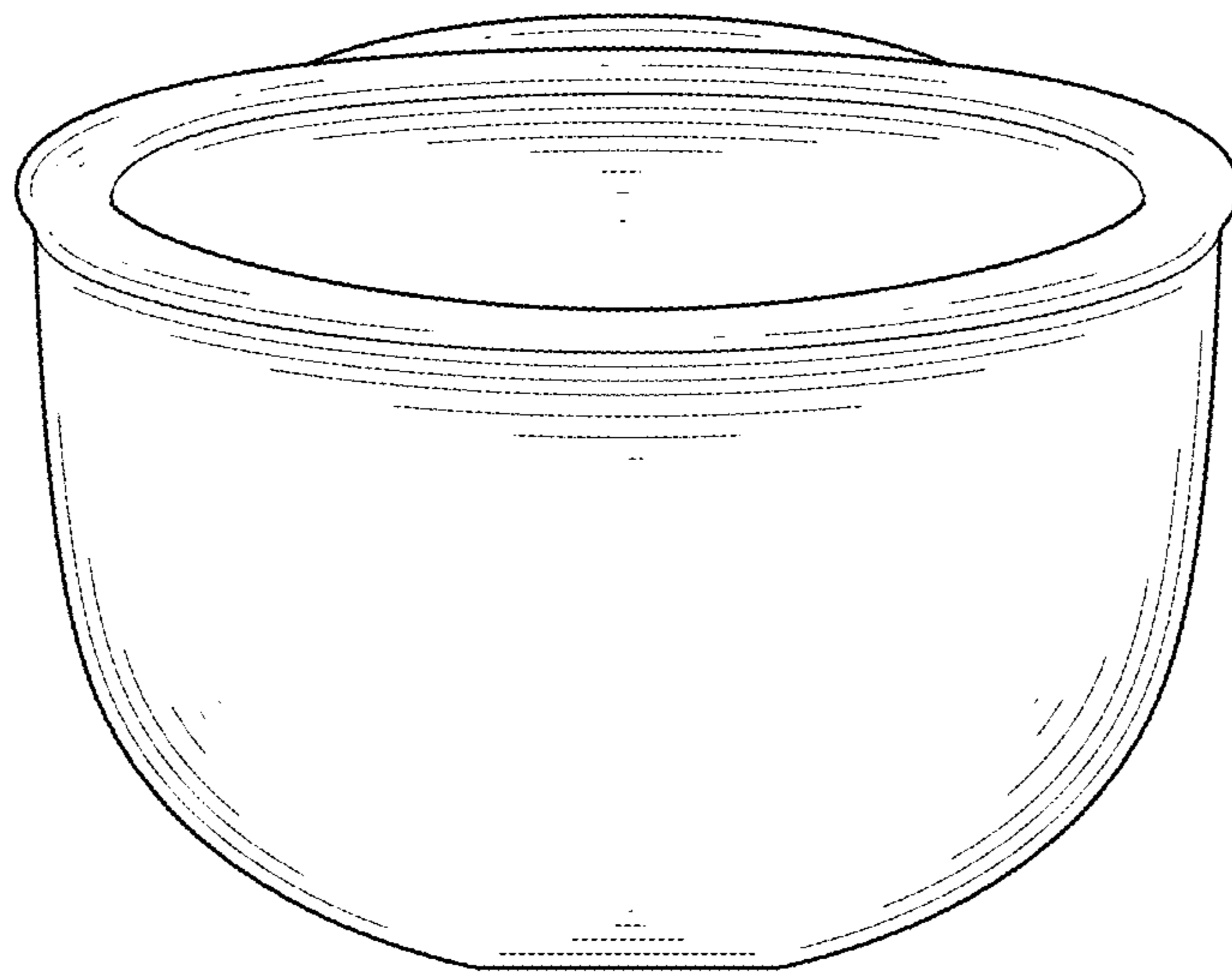


FIG.5

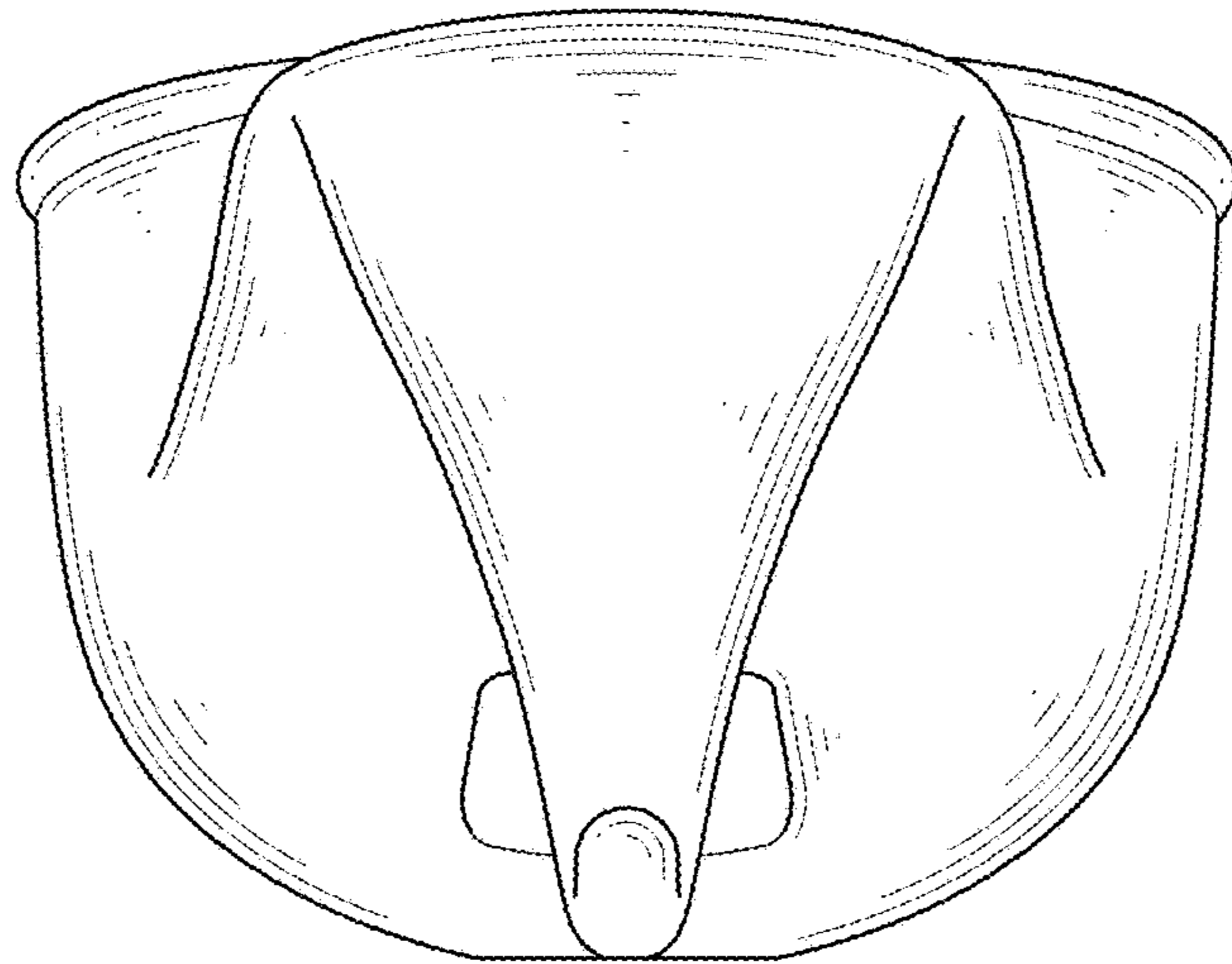


FIG.6

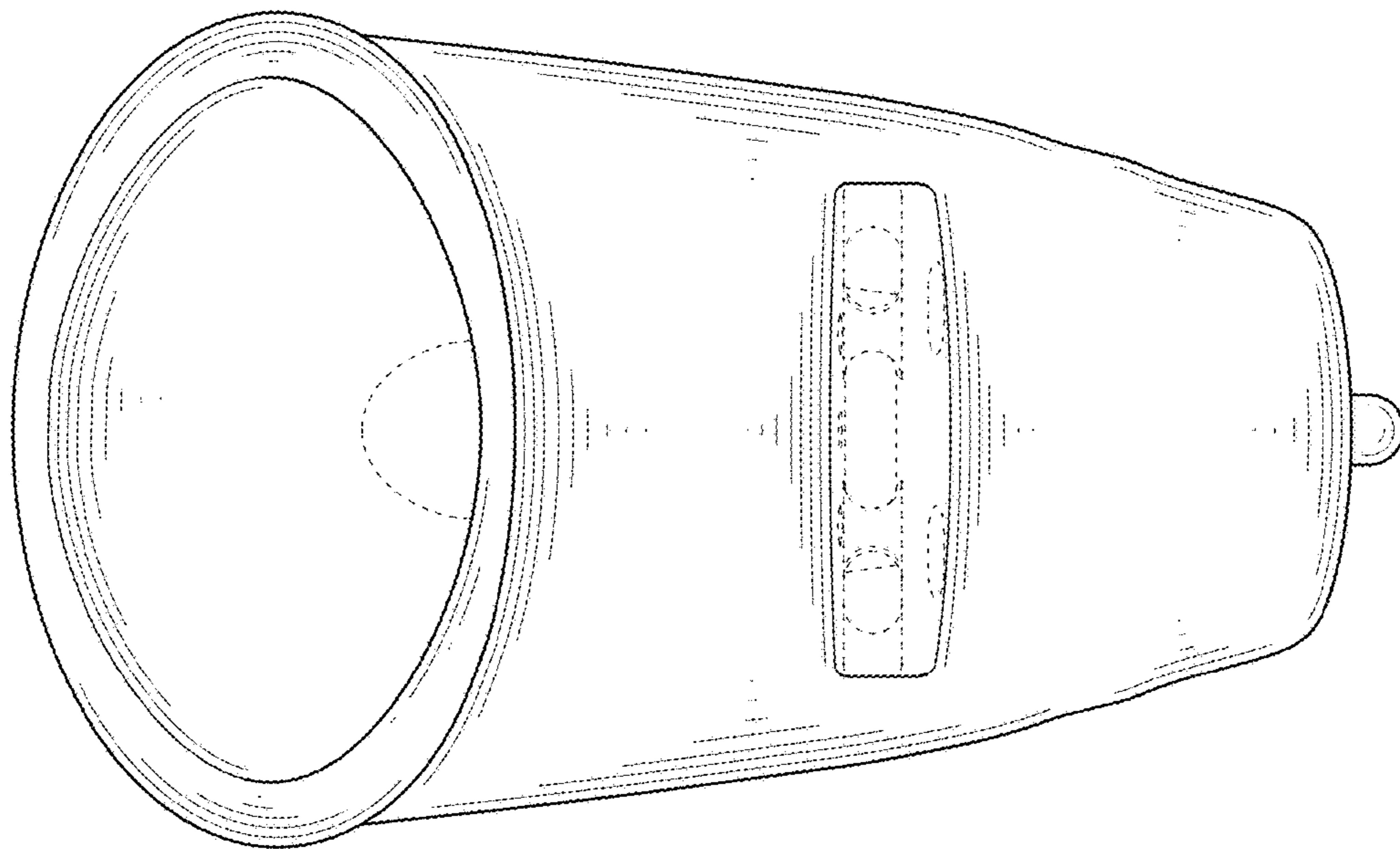


FIG.7

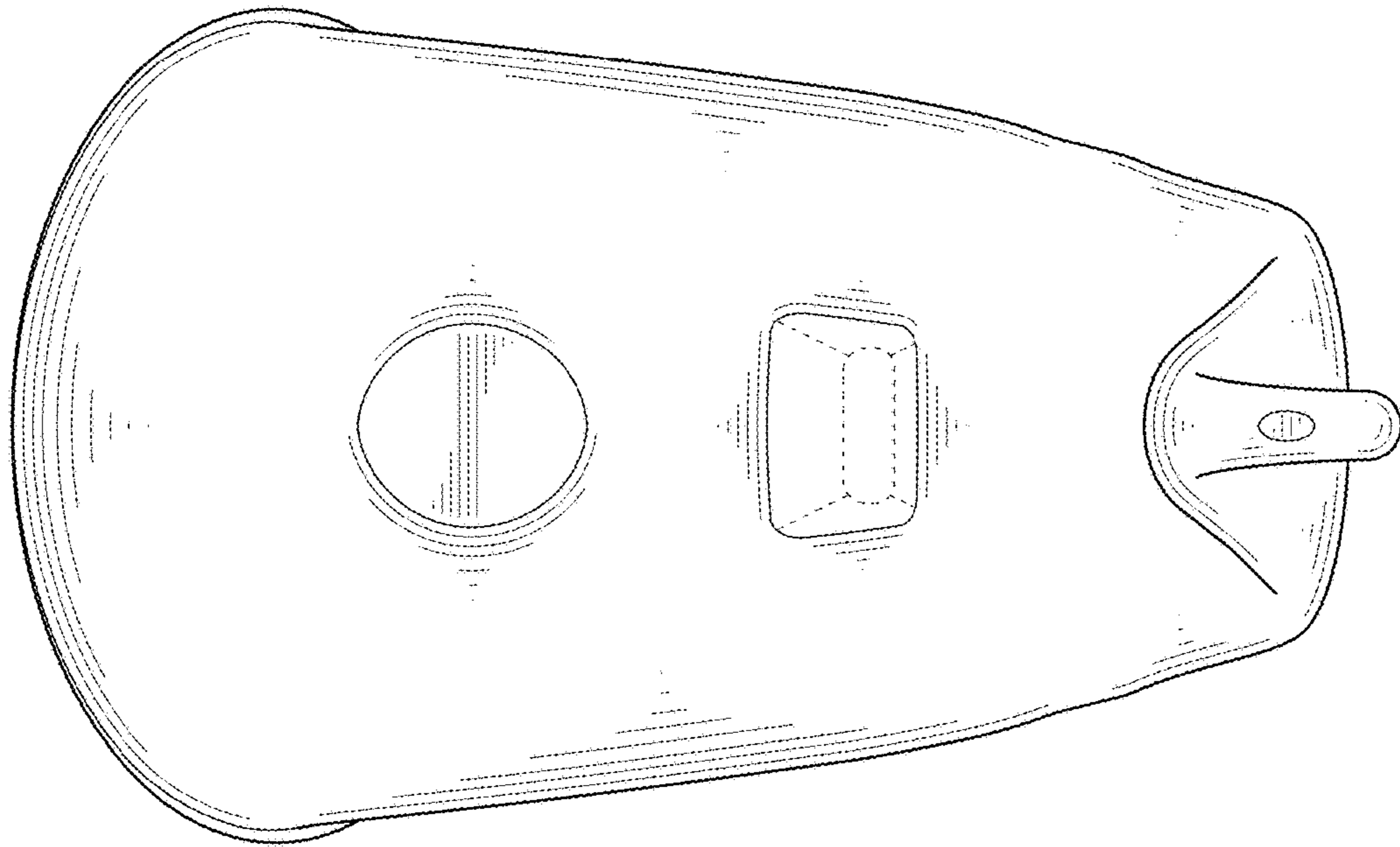


FIG.8