



US00D772195S

(12) **United States Design Patent**
Lee et al.

(10) **Patent No.:** **US D772,195 S**
(45) **Date of Patent:** **** Nov. 22, 2016**

(54) **WIRELESS HEADSET**
(71) Applicant: **LG ELECTRONICS INC.**, Seoul (KR)
(72) Inventors: **Jonghak Lee**, Seoul (KR); **Eunseok Choi**, Seoul (KR); **Kyubong Choi**, Seoul (KR)
(73) Assignee: **LG ELECTRONICS INC.**, Seoul (KR)
(**) Term: **15 Years**

4,706,273 A * 11/1987 Spear B60R 11/0241
379/428.01
4,742,773 A * 5/1988 Bartholomew F42D 1/06
102/202.13
4,875,229 A * 10/1989 Palett B60R 11/0211
296/97.5
D319,228 S * 8/1991 Mori D14/431
D331,057 S * 11/1992 Isonaga D14/205
D337,587 S * 7/1993 Nakayama D14/205
D351,597 S * 10/1994 Nakamura D14/205
D355,895 S * 2/1995 Soren D14/218
6,010,216 A * 1/2000 Jesiek H04B 1/385
351/158
D458,245 S * 6/2002 Masuda D14/192
D469,080 S * 1/2003 Kohli D14/192

(Continued)

(21) Appl. No.: **29/534,890**
(22) Filed: **Jul. 31, 2015**
(30) **Foreign Application Priority Data**

Primary Examiner — Paula Greene
(74) *Attorney, Agent, or Firm* — Birch, Stewart, Kolasch & Birch, LLP

Feb. 2, 2015 (KR) 30-2015-0005709
(51) **LOC (10) Cl.** **14-01**
(52) **U.S. Cl.**
USPC **D14/205**
(58) **Field of Classification Search**
USPC D14/205, 223, 188, 192; 181/129, 130,
181/135; 379/430, 431; 381/380, 381;
455/90.1, 575.2
CPC H04R 1/1066; H04R 1/10; H04R 5/0335;
H04R 25/00; H04R 1/1016; H04R 5/02
See application file for complete search history.

(57) **CLAIM**

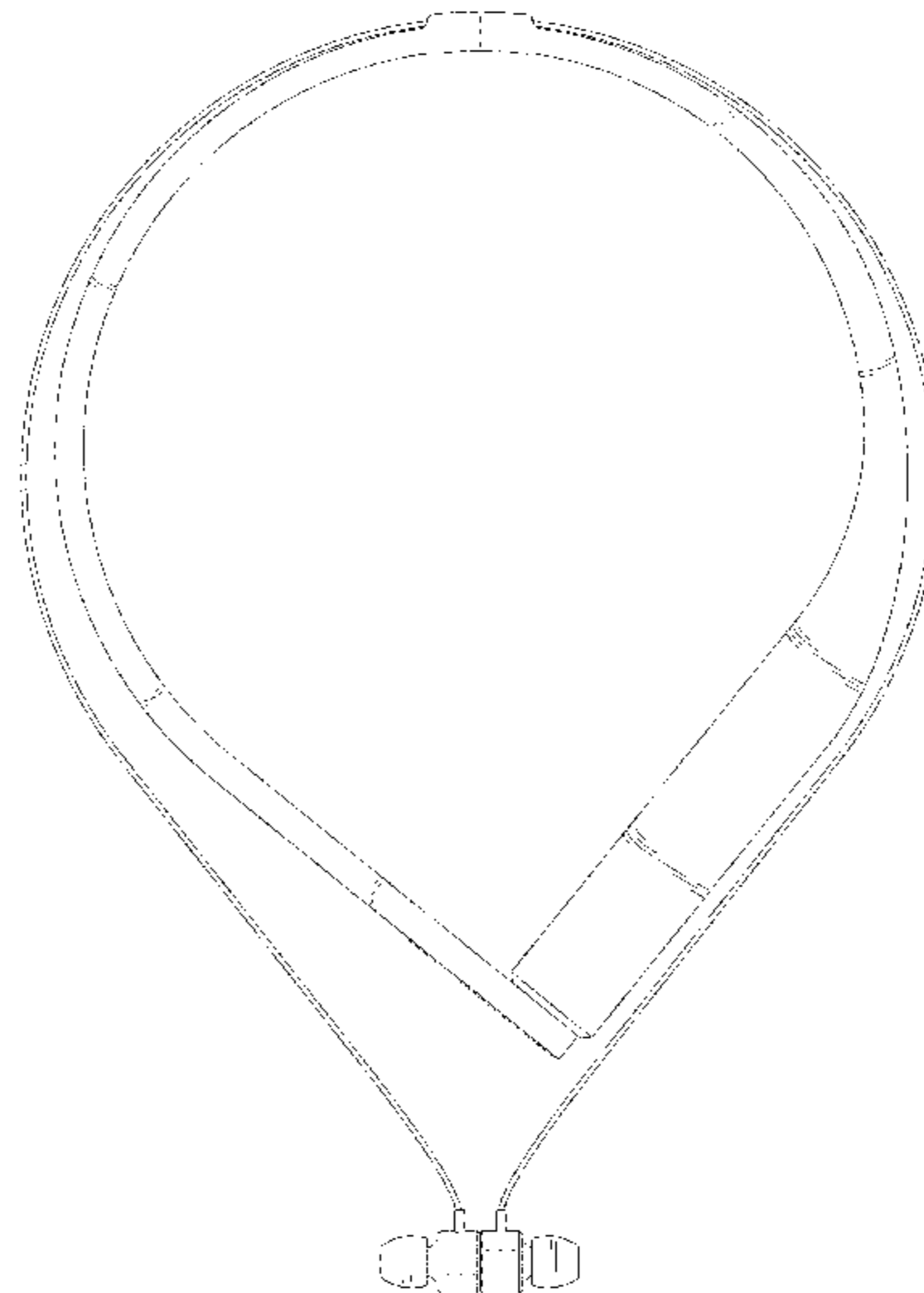
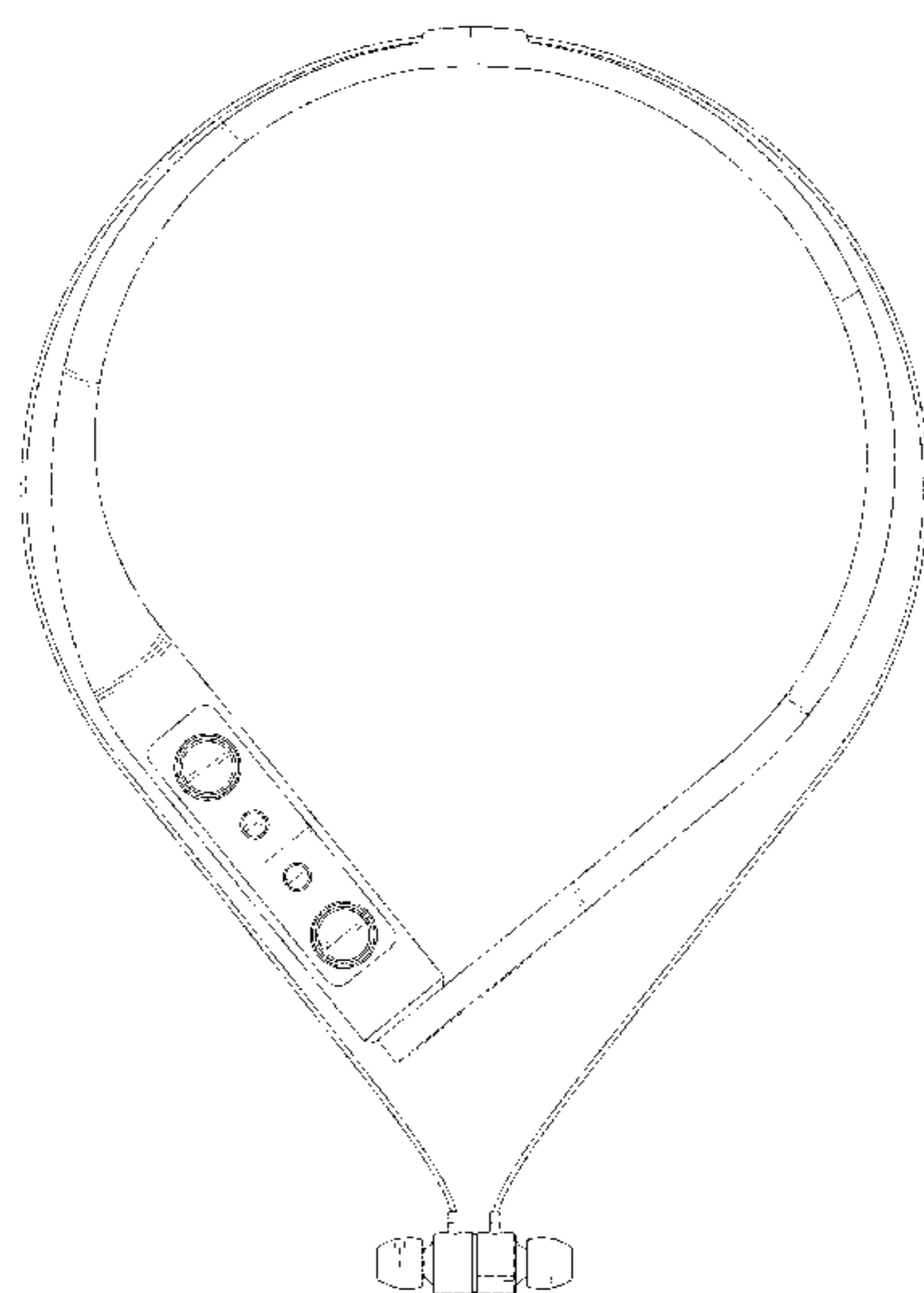
The ornamental design for wireless headset, as shown and described.

DESCRIPTION

FIG. 1 is a perspective view of a wireless headset showing our new design
FIG. 2 is a front view thereof;
FIG. 3 is a rear view thereof;
FIG. 4 is a left side view thereof;
FIG. 5 is a right side view thereof;
FIG. 6 is a top plan view thereof;
FIG. 7 is a bottom plan view thereof;
FIG. 8 is a reference view thereof showing the state that the earphone part and the main body are detached; and,
FIG. 9 is a reference view thereof showing an example of the usage of the subject design.
The broken lines depict portions of the wireless headset that form no part of the claimed design.

(56) **References Cited**
U.S. PATENT DOCUMENTS
2,481,946 A * 9/1949 Pendleton G02C 3/003
2/450
2,891,116 A * 6/1959 Nichols H04R 25/602
381/323
D210,291 S * 2/1968 Zanuso D14/240
4,110,583 A * 8/1978 Lepper H04M 1/05
381/370

1 Claim, 8 Drawing Sheets



(56)

References Cited

U.S. PATENT DOCUMENTS

6,603,863 B1 * 8/2003 Nagayoshi H04R 5/0335
381/370
D479,225 S * 9/2003 De Saulles D14/218
D550,202 S * 9/2007 Meier D14/206
D560,206 S * 1/2008 Hermansen D14/206
D575,268 S * 8/2008 Christopher D14/205
D579,442 S * 10/2008 Kim D14/205
D583,800 S * 12/2008 Jaakkola D14/205
D587,678 S * 3/2009 Yuyama D14/205
D587,680 S * 3/2009 Komiyama D14/205
D593,067 S * 5/2009 Millora D14/205
D593,538 S * 6/2009 Chon D14/205
D594,442 S * 6/2009 Chon D14/205
D596,617 S * 7/2009 Devlas D14/205
D604,269 S * 11/2009 Choe D14/205
D605,168 S * 12/2009 Jaakkola D14/205
D614,167 S * 4/2010 Brickstad D14/205
D617,308 S * 6/2010 Nousiainen D14/205
7,920,902 B2 * 4/2011 Carroll H04M 1/6066
381/74
8,009,853 B2 * 8/2011 Ito H04R 1/1066
381/370
D645,444 S * 9/2011 Quek D14/205
D653,234 S * 1/2012 Lee D14/205
8,094,858 B2 * 1/2012 Thiel G02C 3/003
381/327
D663,714 S * 7/2012 Kang D14/205
D669,881 S * 10/2012 Clements D14/205
8,290,193 B2 * 10/2012 Pang H04R 1/1033
381/370
8,363,875 B2 * 1/2013 Ito H04R 1/1066
381/379
D678,857 S * 3/2013 Feng D14/205
8,411,893 B2 * 4/2013 Ito H04R 1/105
181/135
8,433,082 B2 * 4/2013 Abolfathi H04R 1/46
381/151

D686,189 S * 7/2013 Lu D14/205
D703,634 S * 4/2014 Han D14/205
D706,745 S * 6/2014 Nakagawa D14/205
D707,199 S * 6/2014 Cepress D14/205
8,761,430 B2 * 6/2014 Zimmerman H04R 1/1033
381/374
8,873,250 B2 * 10/2014 Kroupa B65H 75/4434
242/400
D716,759 S * 11/2014 Ha D14/205
D721,673 S * 1/2015 Park D14/205
D723,510 S * 3/2015 Ishikura D14/205
D730,867 S * 6/2015 Park D14/205
D731,999 S * 6/2015 Cepress D14/205
9,055,795 B2 * 6/2015 Larkin A45C 11/00
D739,379 S * 9/2015 Lee D14/205
D740,785 S * 10/2015 Chen D14/205
D743,933 S * 11/2015 Park D14/205
D752,026 S * 3/2016 Yang D14/223
D755,752 S * 5/2016 Lee D14/205
D756,958 S * 5/2016 Lee D14/205
D756,959 S * 5/2016 Lee D14/205
D758,339 S * 6/2016 Lee D14/205
2007/0003093 A1 * 1/2007 Ito H04R 5/0335
381/378
2009/0274335 A1 * 11/2009 Cheung H04R 5/0335
381/374
2010/0283962 A1 * 11/2010 Williams G02C 3/003
351/157
2011/0170702 A1 * 7/2011 Bays H04R 5/0335
381/74
2012/0170702 A1 * 7/2012 Song F22B 35/004
376/210
2012/0314351 A1 * 12/2012 Kroupa B65H 75/4434
361/679.01
2013/0329903 A1 * 12/2013 Ting H04R 1/105
381/74
2014/0185837 A1 * 7/2014 Kunimoto H04R 1/1075
381/151

* cited by examiner

FIG. 1

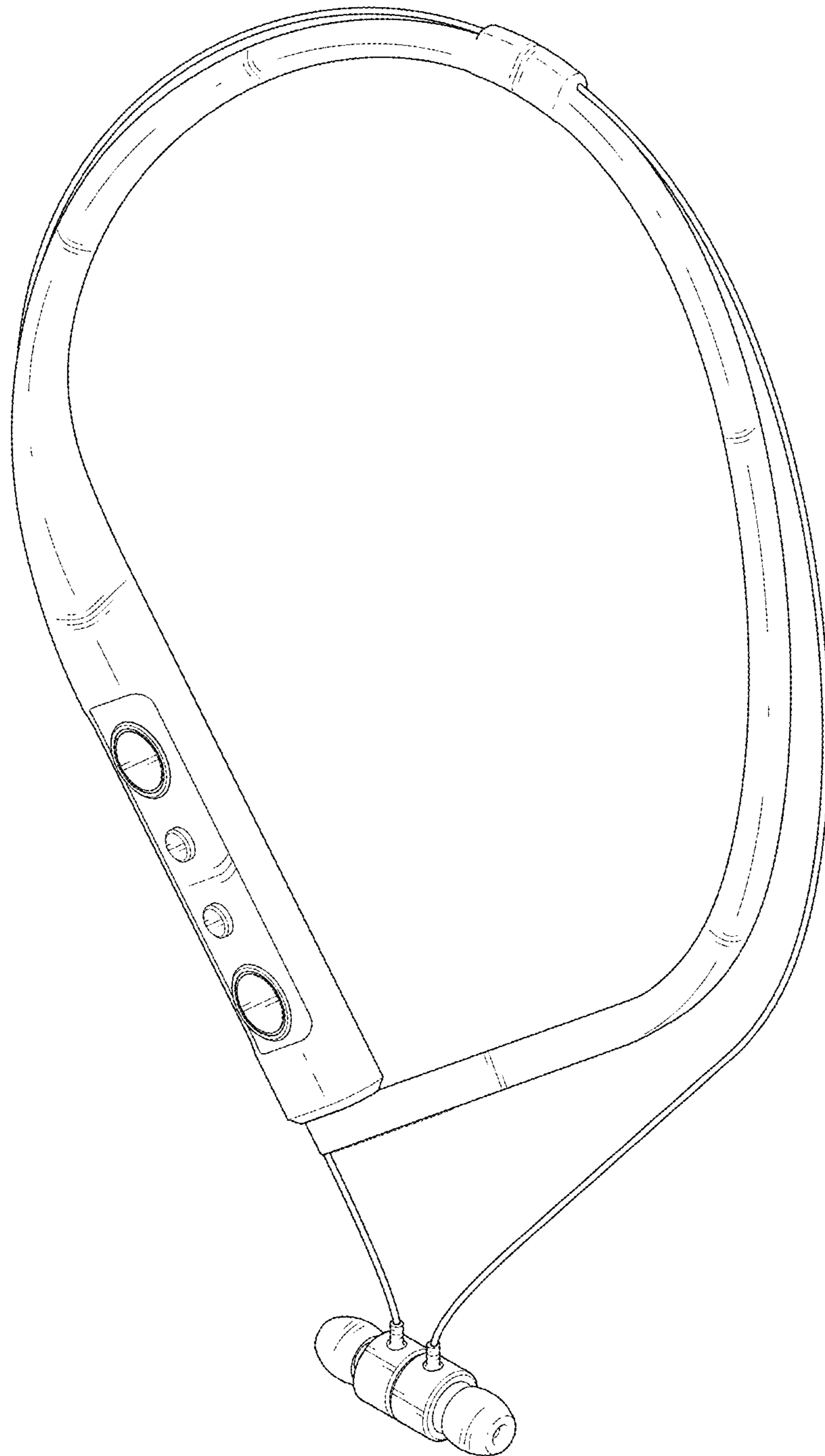


FIG. 2

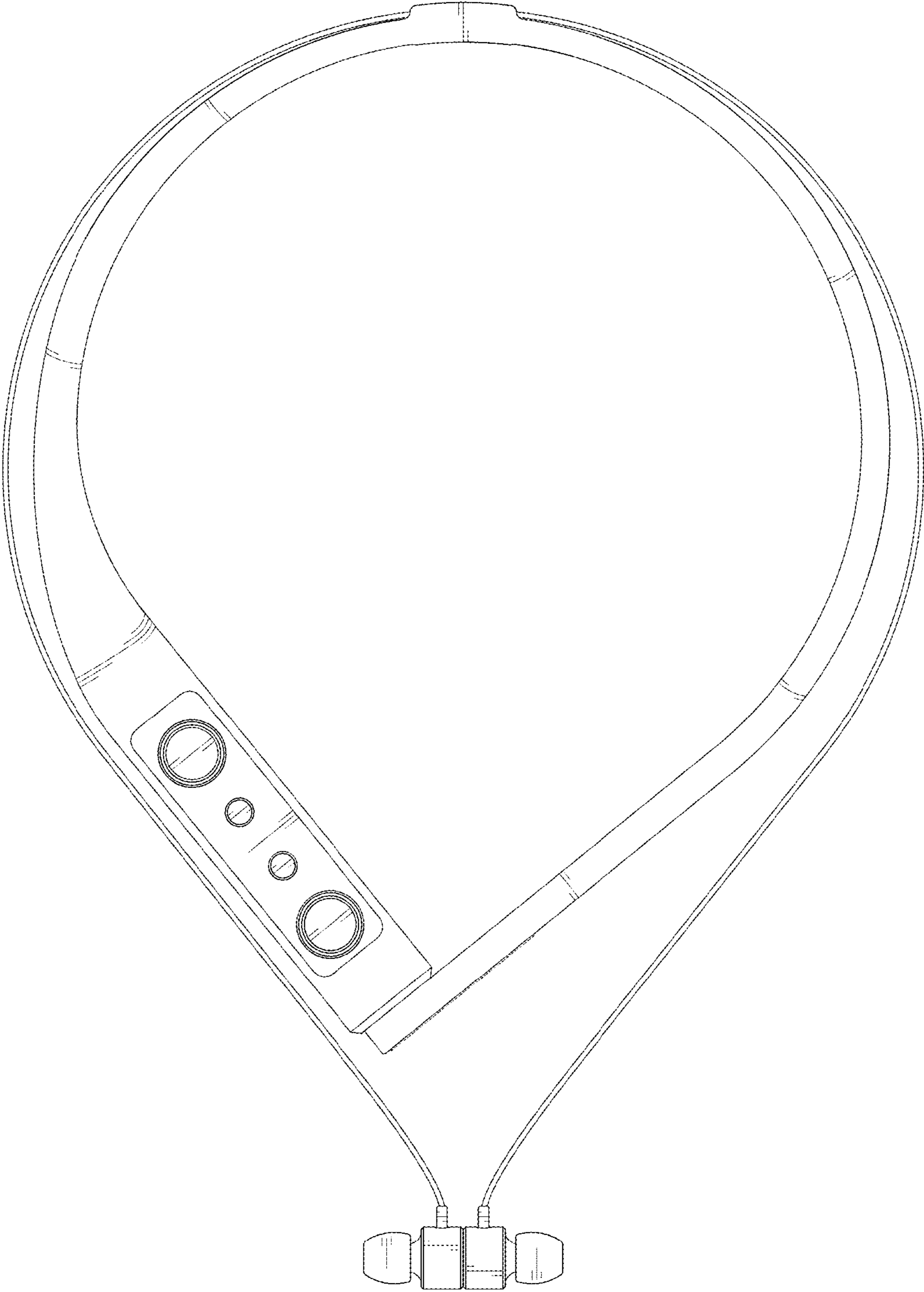


FIG. 3

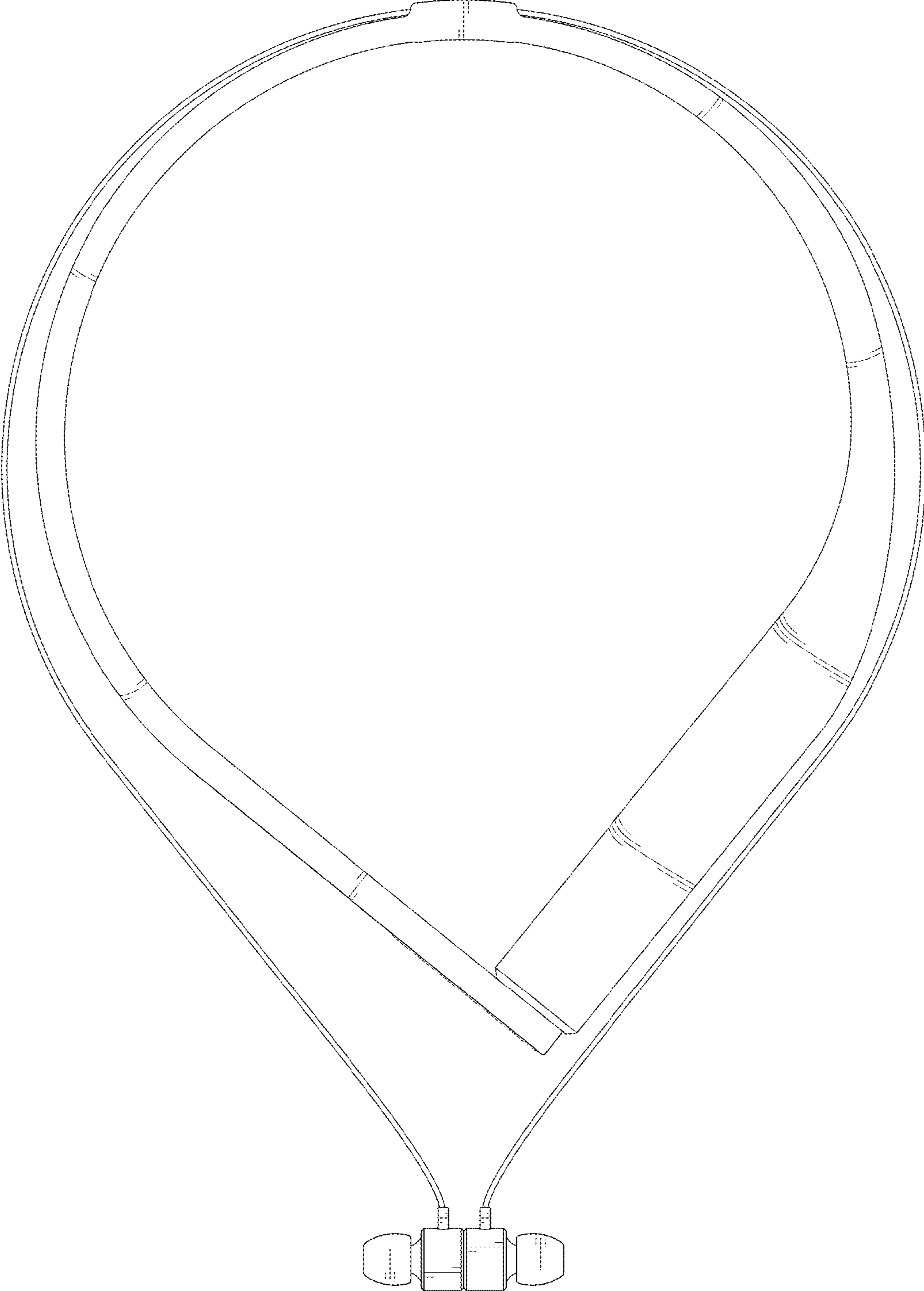


FIG. 4

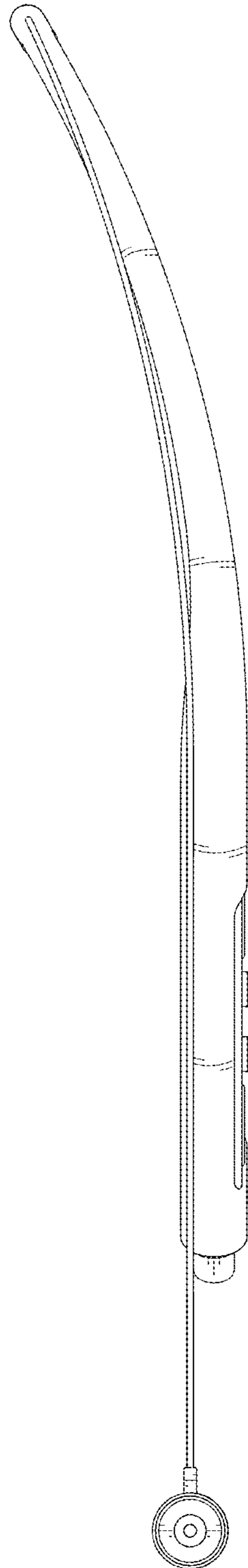


FIG. 5

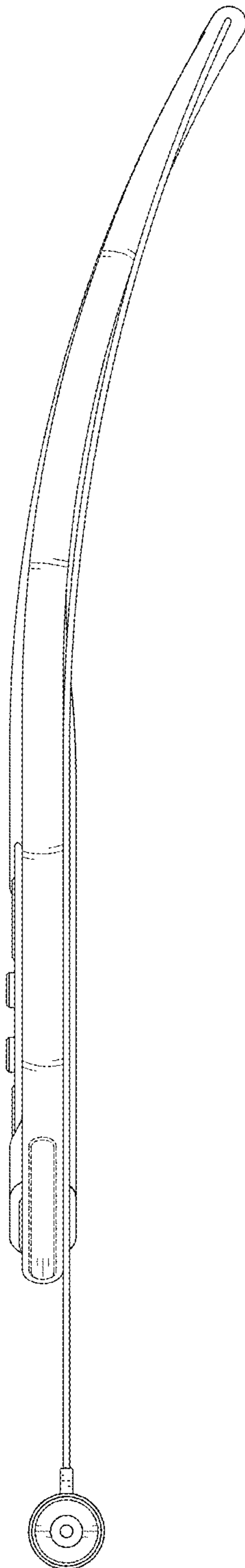


FIG. 6

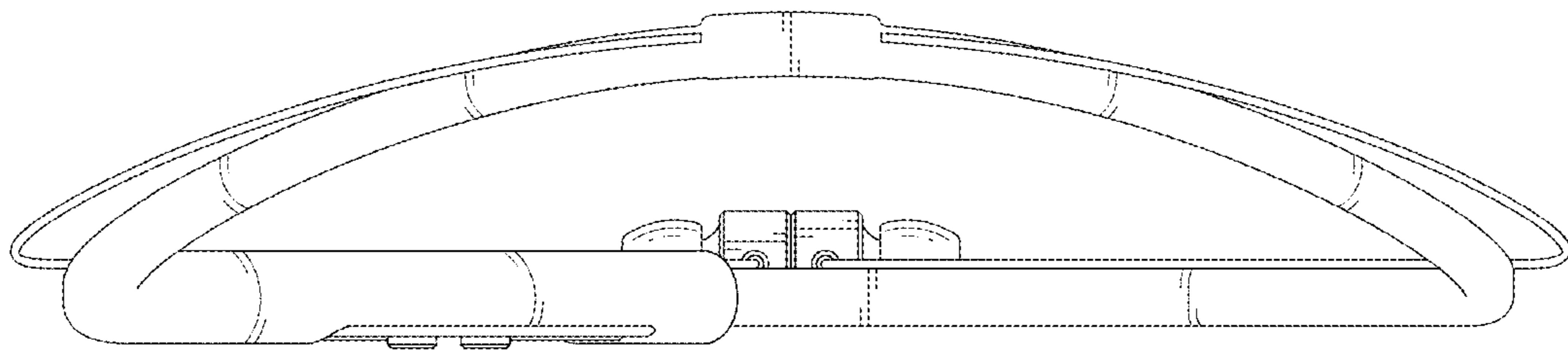


FIG. 7

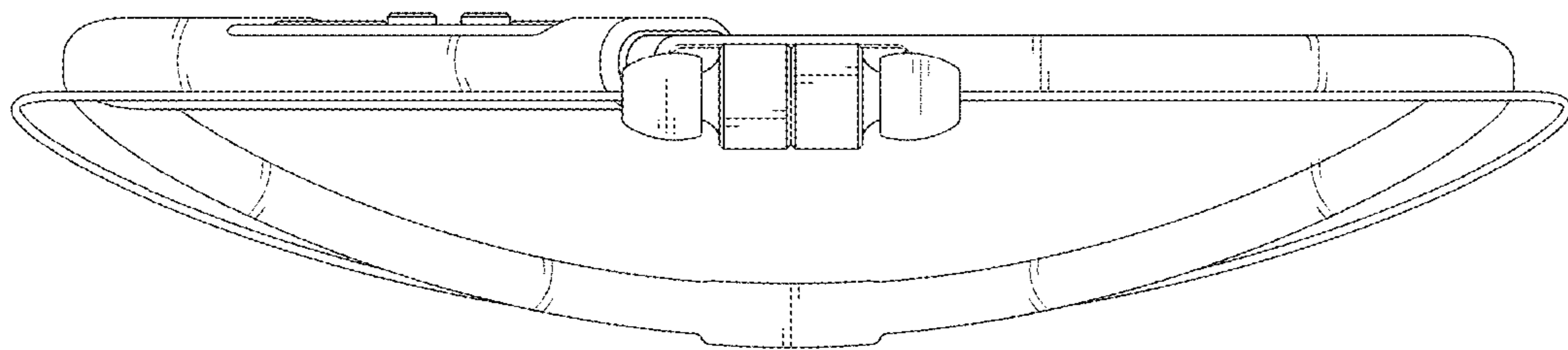


FIG. 8

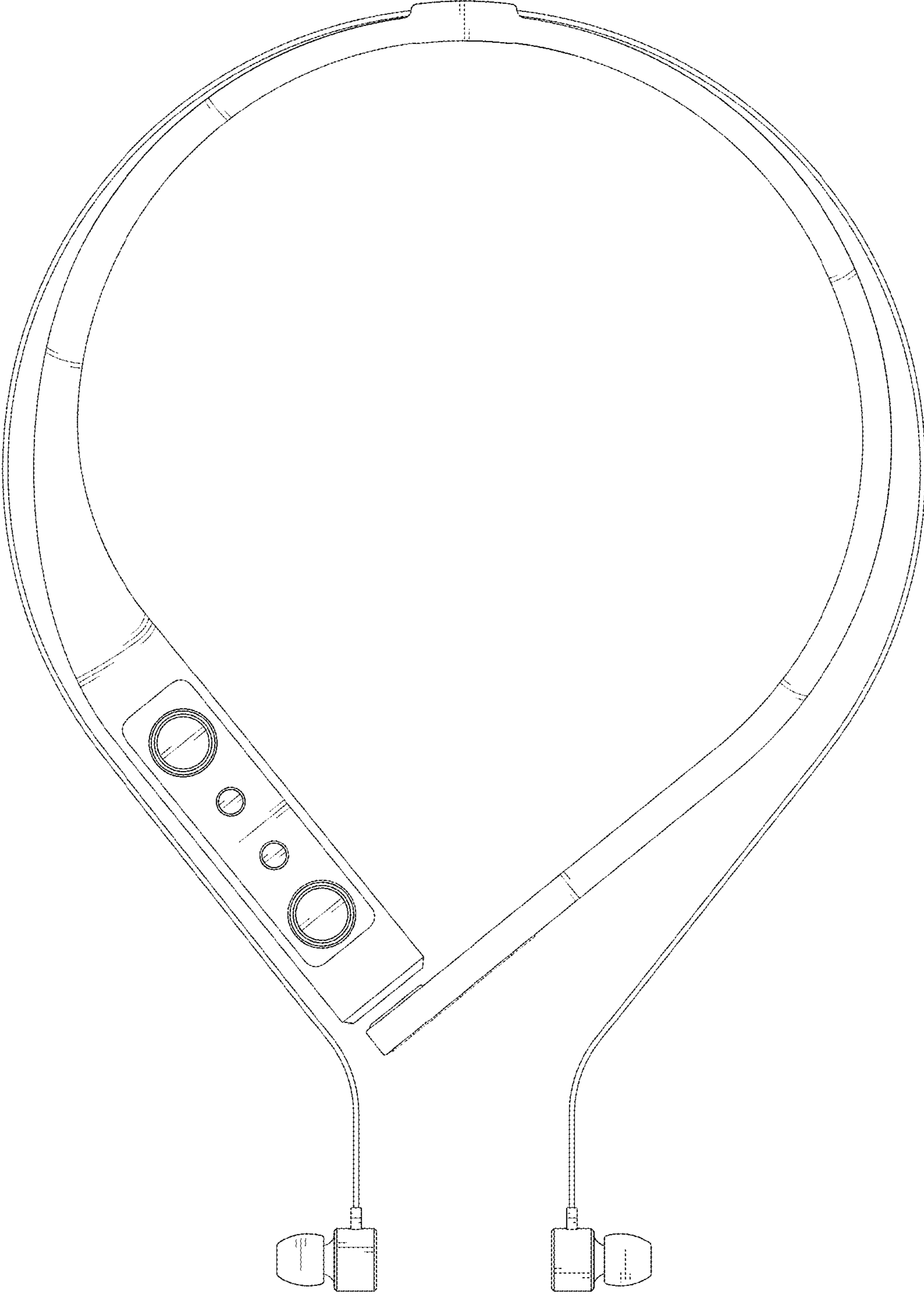


FIG. 9

