



US00D772193S

(12) **United States Design Patent**  
**Garan et al.**

(10) **Patent No.:** **US D772,193 S**

(45) **Date of Patent:** **\*\* Nov. 22, 2016**

(54) **HEADPHONES**

(71) Applicant: **GIBSON BRANDS, INC.**, Nashville, TN (US)

(72) Inventors: **Rojkarnjanarak Garan**, Kowloon (HK); **Billy Liu Wai Hung**, Ma On Shan (HK)

(73) Assignee: **Gibson Brands, Inc.**, Nashville, TN (US)

(\*\*) Term: **14 Years**

(21) Appl. No.: **29/523,747**

(22) Filed: **Apr. 13, 2015**

(30) **Foreign Application Priority Data**

Oct. 13, 2014 (EM) ..... 002555805

(51) **LOC (10) Cl.** ..... **14-01**

(52) **U.S. Cl.**  
USPC ..... **D14/205**

(58) **Field of Classification Search**  
USPC ..... D14/205; D29/112; 2/209; 181/129, 181/130, 135; 379/430, 431; 381/380, 381, 381/370, 371, 379, 374, 375, 186; 455/90.3, 575.1  
CPC H04R 1/1066; H04R 1/1016; H04R 5/0335; H04R 5/033

See application file for complete search history.

(56) **References Cited**

**U.S. PATENT DOCUMENTS**

- 5,018,599 A \* 5/1991 Dohi ..... H04R 1/1008 181/129
- 5,113,428 A \* 5/1992 Fitzgerald ..... H04B 1/3816 379/430
- D340,033 S \* 10/1993 Okumura ..... D14/192
- D353,818 S \* 12/1994 Nakamura ..... D14/205
- 5,406,037 A \* 4/1995 Nageno ..... H04R 5/0335 181/129
- D381,987 S \* 8/1997 Tsuge ..... D14/205
- D394,062 S \* 5/1998 Chun ..... D14/192

- D402,575 S \* 12/1998 Jones ..... D10/106.1
- D409,197 S \* 5/1999 Nakamura ..... D14/205
- D410,466 S \* 6/1999 Mouri ..... D14/205
- 5,987,147 A \* 11/1999 Nishimoto ..... H04R 5/033 381/370
- D422,592 S \* 4/2000 Deguchi ..... D14/205
- D449,290 S \* 10/2001 Taylor ..... D14/206
- 6,353,938 B1 \* 3/2002 Young ..... A61F 11/14 181/129
- D456,379 S \* 4/2002 Fitzgerald ..... D14/142
- D457,512 S \* 5/2002 Yoneda ..... D14/205
- D484,868 S \* 1/2004 Suzuki ..... D14/205
- D532,407 S \* 11/2006 Motoishi ..... D14/205
- D540,301 S \* 4/2007 Obata ..... D14/205
- D617,769 S \* 6/2010 Birger ..... D14/205
- D633,471 S \* 3/2011 Sugiyama ..... D14/205
- D638,397 S \* 5/2011 McManigal ..... D14/205
- D656,480 S \* 3/2012 McManigal ..... D14/205
- D664,114 S \* 7/2012 Tsuchiya ..... D14/205
- D666,579 S \* 9/2012 Hou ..... D14/205
- D666,992 S \* 9/2012 Lee ..... D14/205
- D678,859 S \* 3/2013 Lee ..... D14/205
- D690,680 S \* 10/2013 McManigal ..... D14/205
- D697,495 S \* 1/2014 Lian ..... D14/205

\* cited by examiner

*Primary Examiner* — Paula Greene

(74) *Attorney, Agent, or Firm* — Bates & Bates, LLC

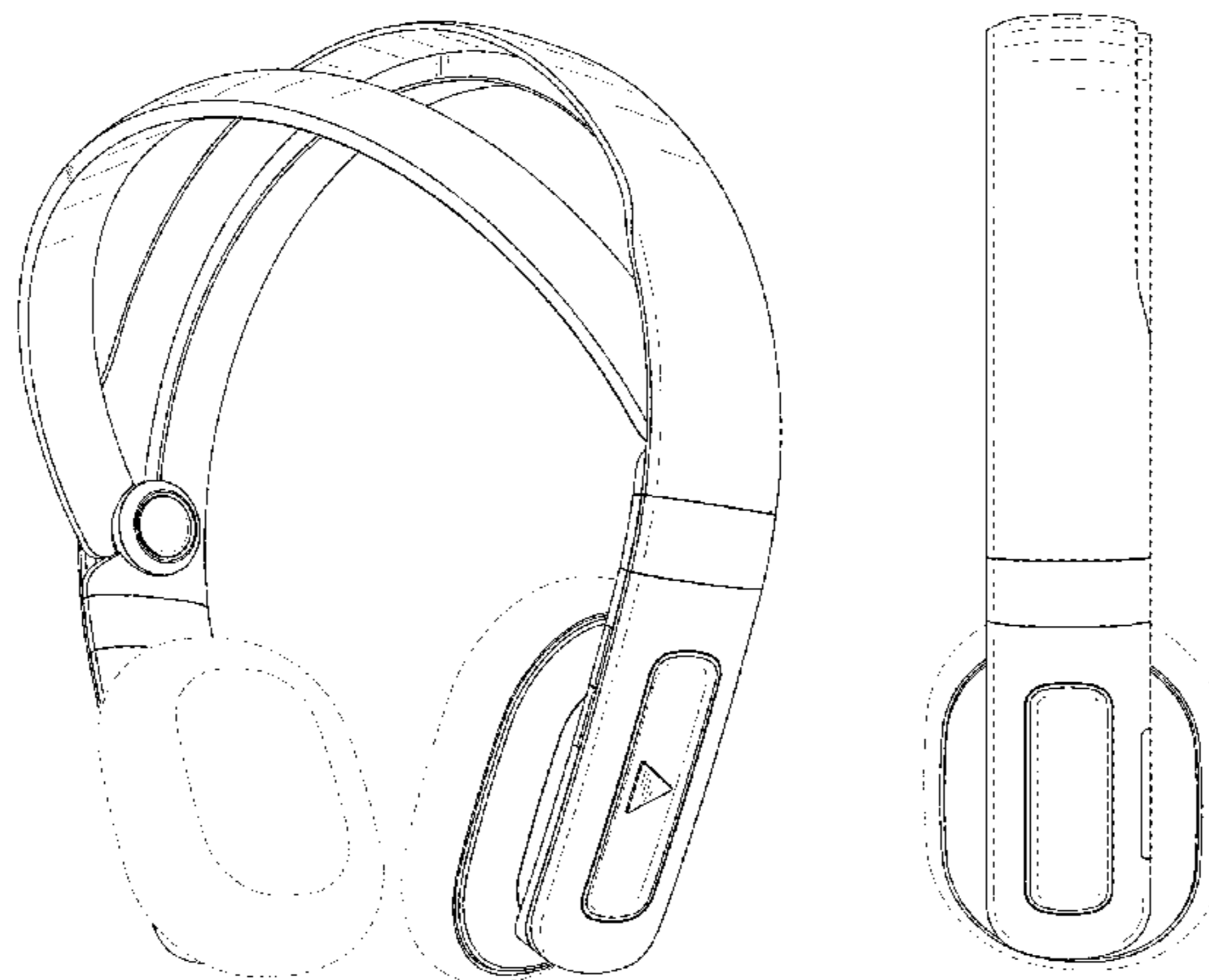
(57) **CLAIM**

What is claimed is the ornamental design for headphones, as shown and described.

**DESCRIPTION**

FIG. 1 is a perspective view of the headphones; FIG. 2 is an alternative perspective view of the headphones; FIG. 3 is a right side view of the headphones; FIG. 4 is an alternative ride side view of the headphones; FIG. 5 is a left side view of the headphones; FIG. 6 is a front view of the headphones; FIG. 7 is a back view of the headphones; FIG. 8 is a top view of the headphones; and, FIG. 9 is a bottom view of the headphones. The broken lines in the Figures represent the portions of the design that form no part of the claim.

**1 Claim, 9 Drawing Sheets**



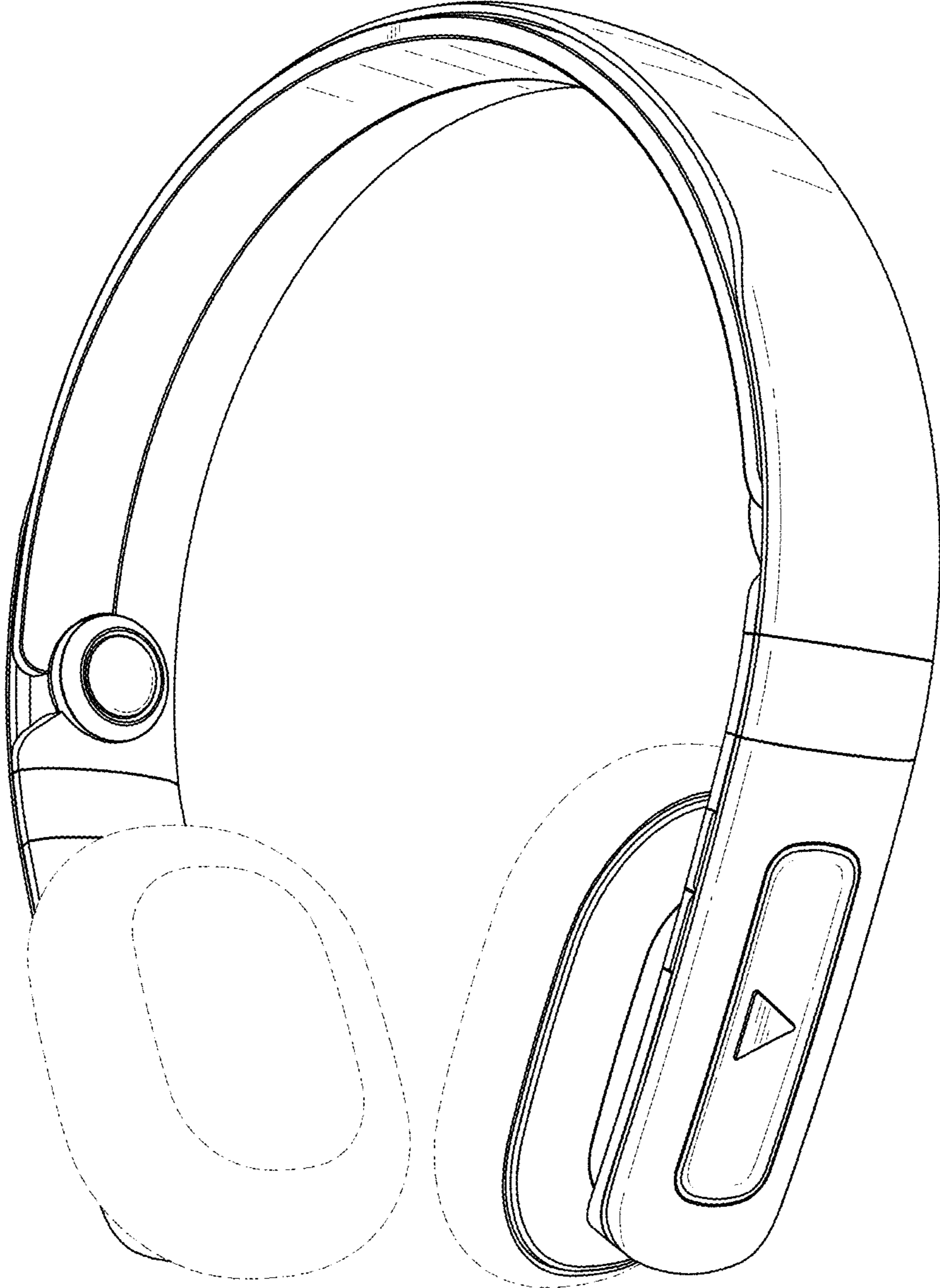


FIG. 1



FIG. 2

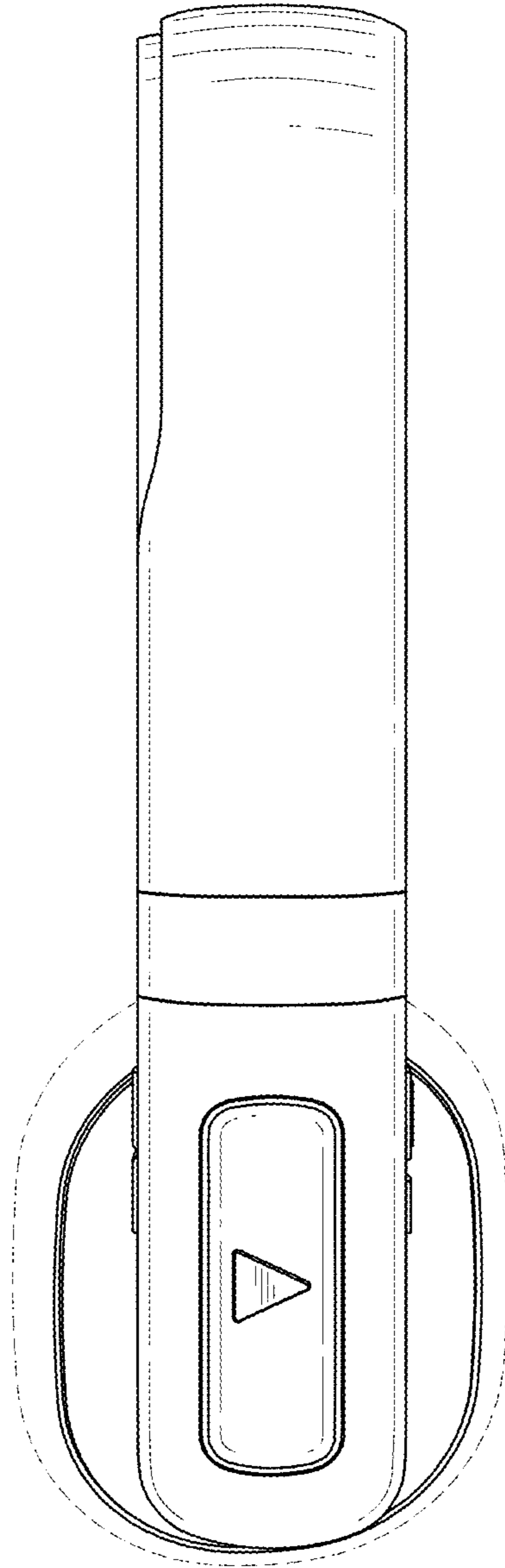


FIG. 3

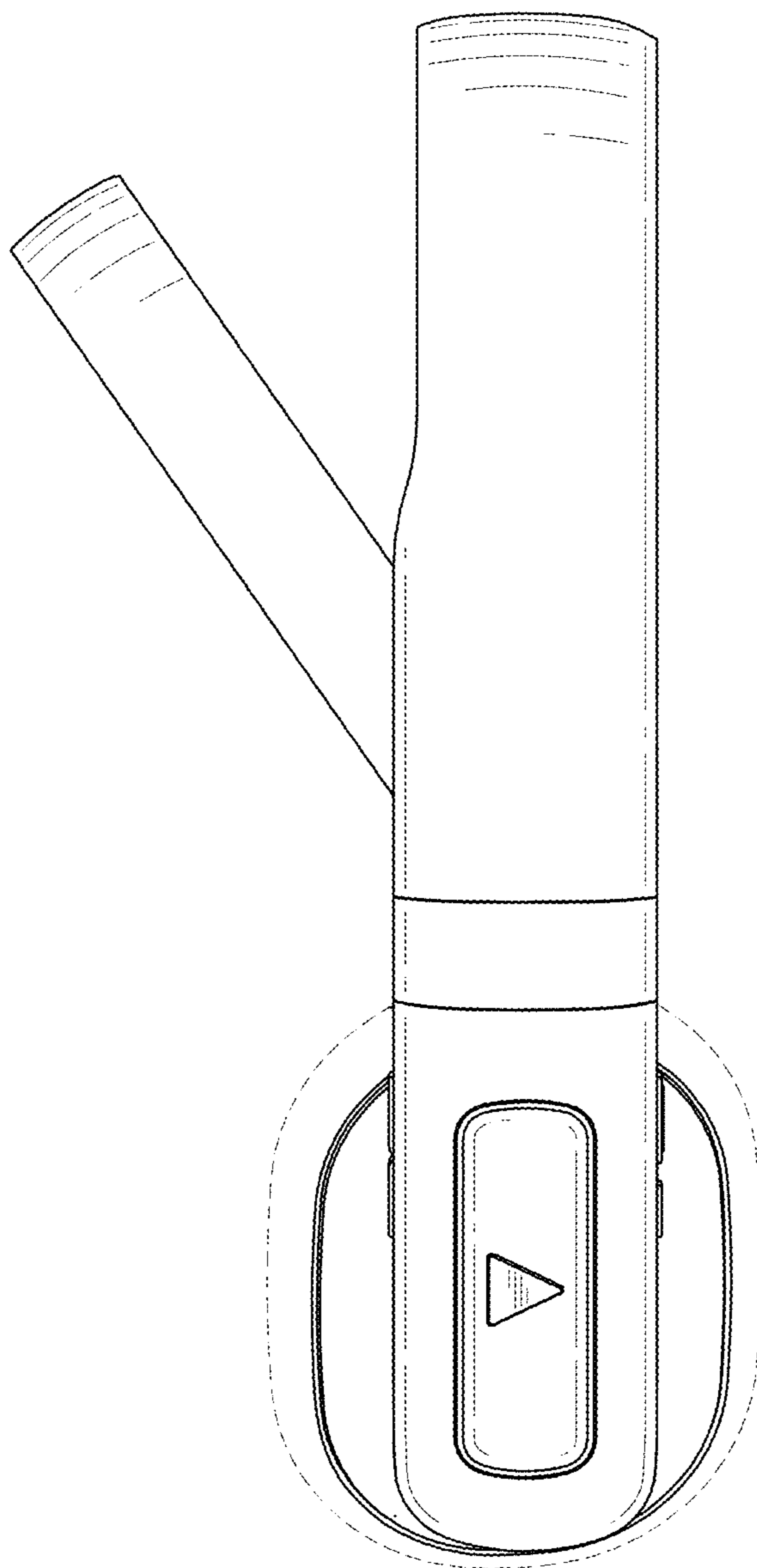


FIG. 4

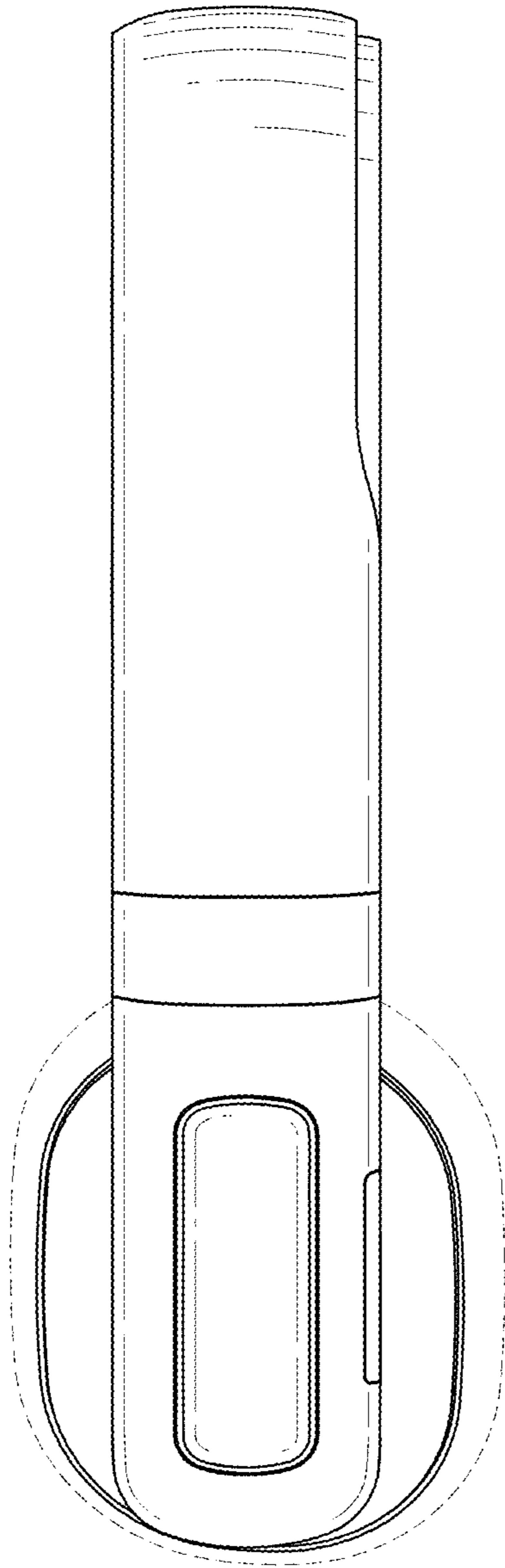


FIG. 5



FIG. 6



FIG. 7



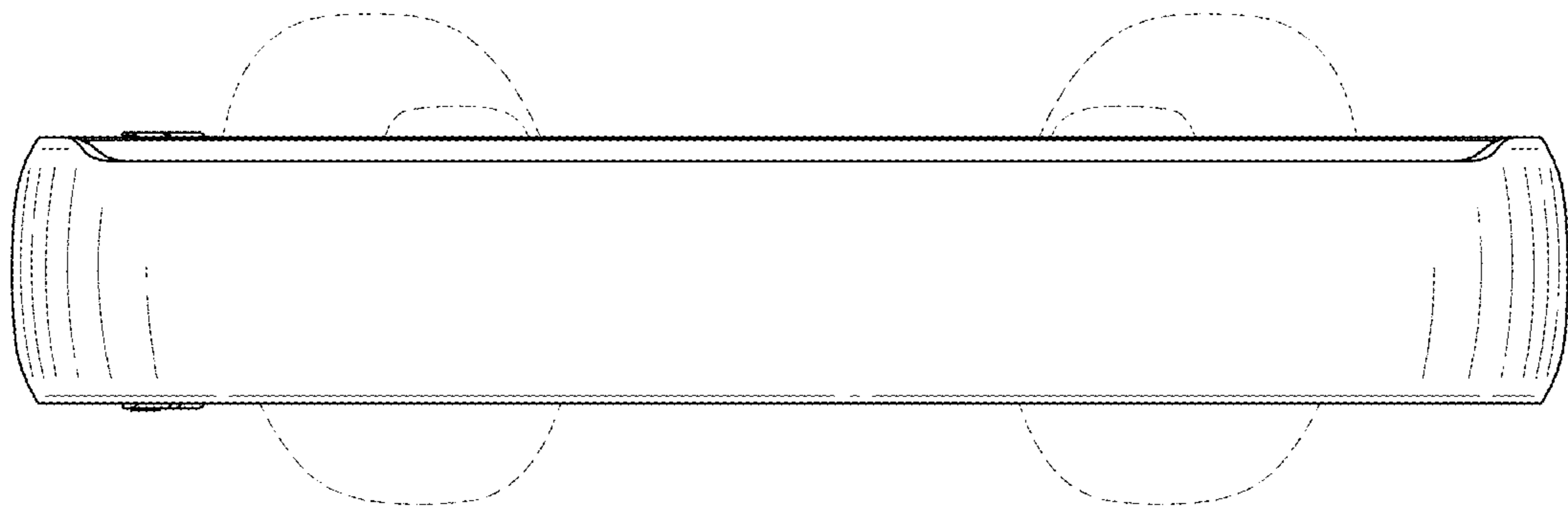


FIG. 8

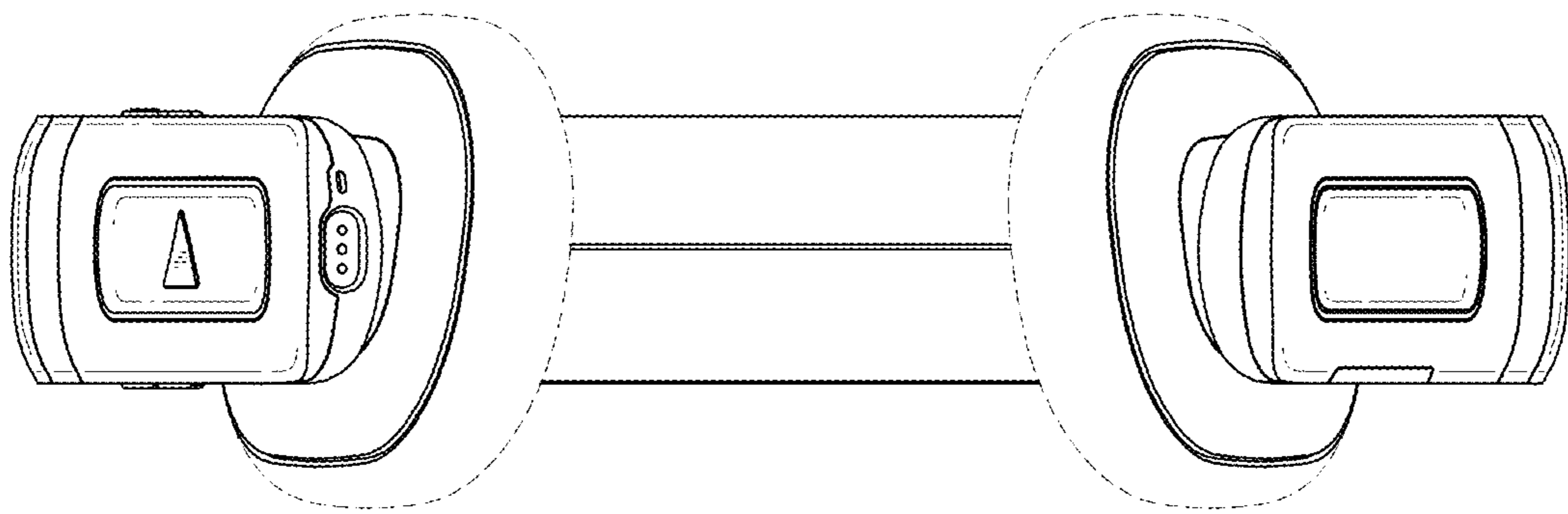


FIG. 9