



US00D772192S

(12) **United States Design Patent**
Kim et al.

(10) **Patent No.:** **US D772,192 S**

(45) **Date of Patent:** **** Nov. 22, 2016**

(54) **SPEAKER**

(71) Applicant: **Samsung Electronics Co., Ltd.**,
Suwon-si, Gyeonggi-do (KR)

(72) Inventors: **Junpyo Kim**, Ansan-si (KR); **Juwon Cho**, Seoul (KR); **Gyoo-sang Choi**,
Suwon-si (KR)

(73) Assignee: **SAMSUNG ELECTRONICS CO., LTD.**, Suwon-Si, Gyeonggi-Do (KR)

(**) Term: **14 Years**

(21) Appl. No.: **29/524,542**

(22) Filed: **Apr. 21, 2015**

(30) **Foreign Application Priority Data**

Nov. 3, 2014 (KR) 30-2014-0052461

(51) **LOC (10) Cl.** **14-01**

(52) **U.S. Cl.**
USPC **D14/204**

(58) **Field of Classification Search**

USPC D14/167, 168, 170-172, 188, 204,
D14/209.1, 210-216, 219, 221, 222, 224;
181/144, 148, 153, 157, 198;
369/6-12; 381/301, 303, 306, 332,
381/334, 336, 345, 361-363, 386-388
CPC G06F 1/1688; H04R 1/02; H04R 1/025;
H04R 1/026; H04R 1/323; H04R 1/403;
H04R 1/2803; H04R 1/2834; H04R 5/02;
H04R 9/06; H04R 2201/021; H04R 2400/00;
H04R 2400/07; H04R 2499/11

See application file for complete search history.

(56) **References Cited**

U.S. PATENT DOCUMENTS

D422,593 S * 4/2000 Ito D14/214
D434,751 S * 12/2000 Sogabe D14/214

D450,683 S * 11/2001 Vosse D14/215
D516,544 S 3/2006 Motoishi
D519,105 S * 4/2006 Masui D14/214
D542,276 S * 5/2007 Hibino D14/214
D598,897 S * 8/2009 Arneson D14/214
D599,324 S * 9/2009 Shen D14/196
D609,217 S * 2/2010 Manini D14/214
D671,526 S * 11/2012 Lee D14/215

FOREIGN PATENT DOCUMENTS

KR 30-0291435 1/2002

* cited by examiner

Primary Examiner — Ian Simmons

Assistant Examiner — Janice Lim

(74) *Attorney, Agent, or Firm* — Ladas & Parry LLP

(57) **CLAIM**

The ornamental design for a speaker, as shown and described.

DESCRIPTION

FIG. 1 is a front perspective view of a speaker, showing our new design;

FIG. 2 is a front view thereof;

FIG. 3 is a rear view thereof;

FIG. 4 is a left side view thereof;

FIG. 5 is a right side view thereof;

FIG. 6 is a top plan view thereof; and,

FIG. 7 is a bottom plan view thereof.

The broken line portions show unclaimed subject matter only and form no part of the claimed design.

The dot-dash broken line portions show the boundary between the claimed portion and unclaimed portion only and form no part of the claimed design.

1 Claim, 7 Drawing Sheets

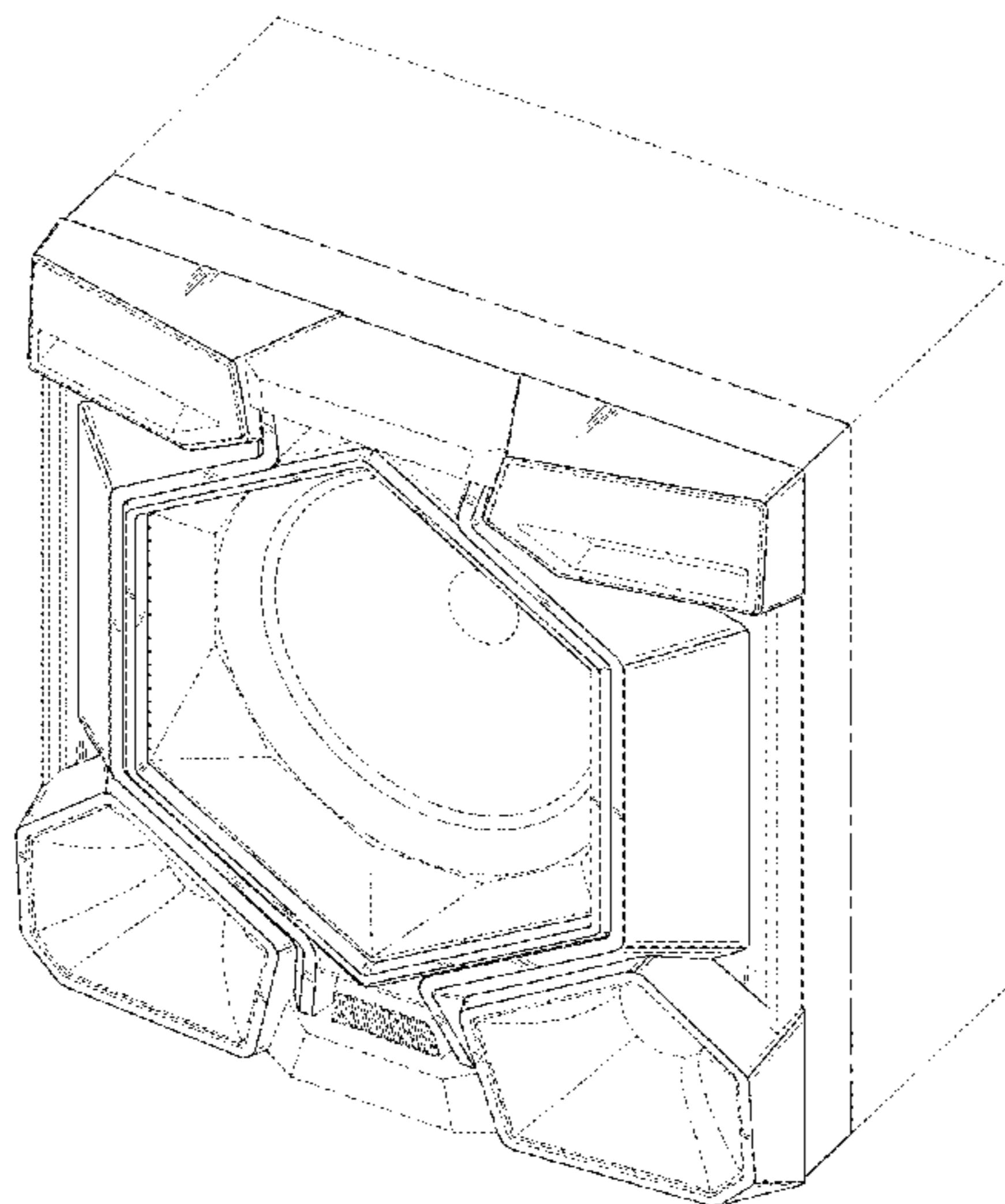


FIG. 1

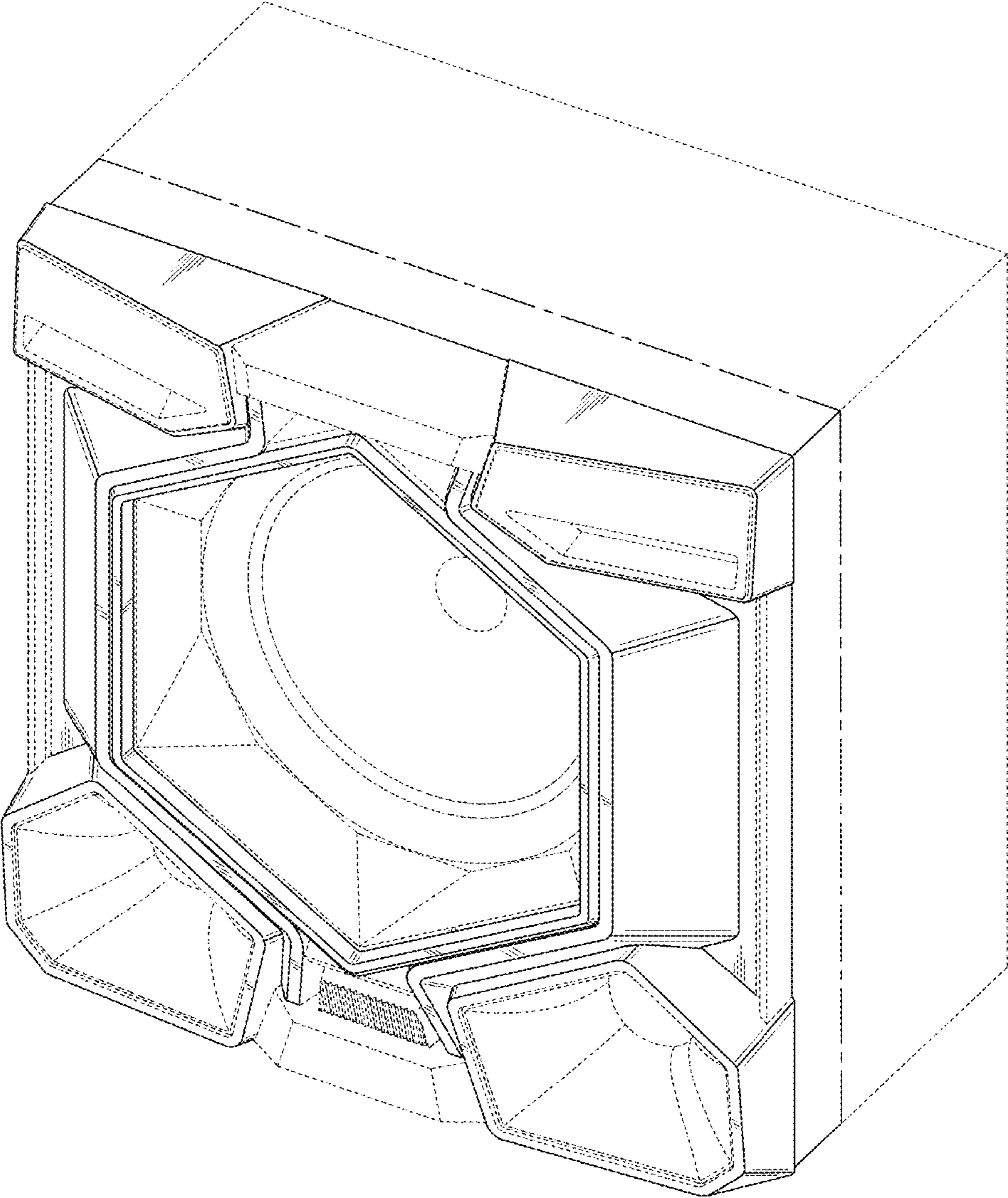


FIG. 2

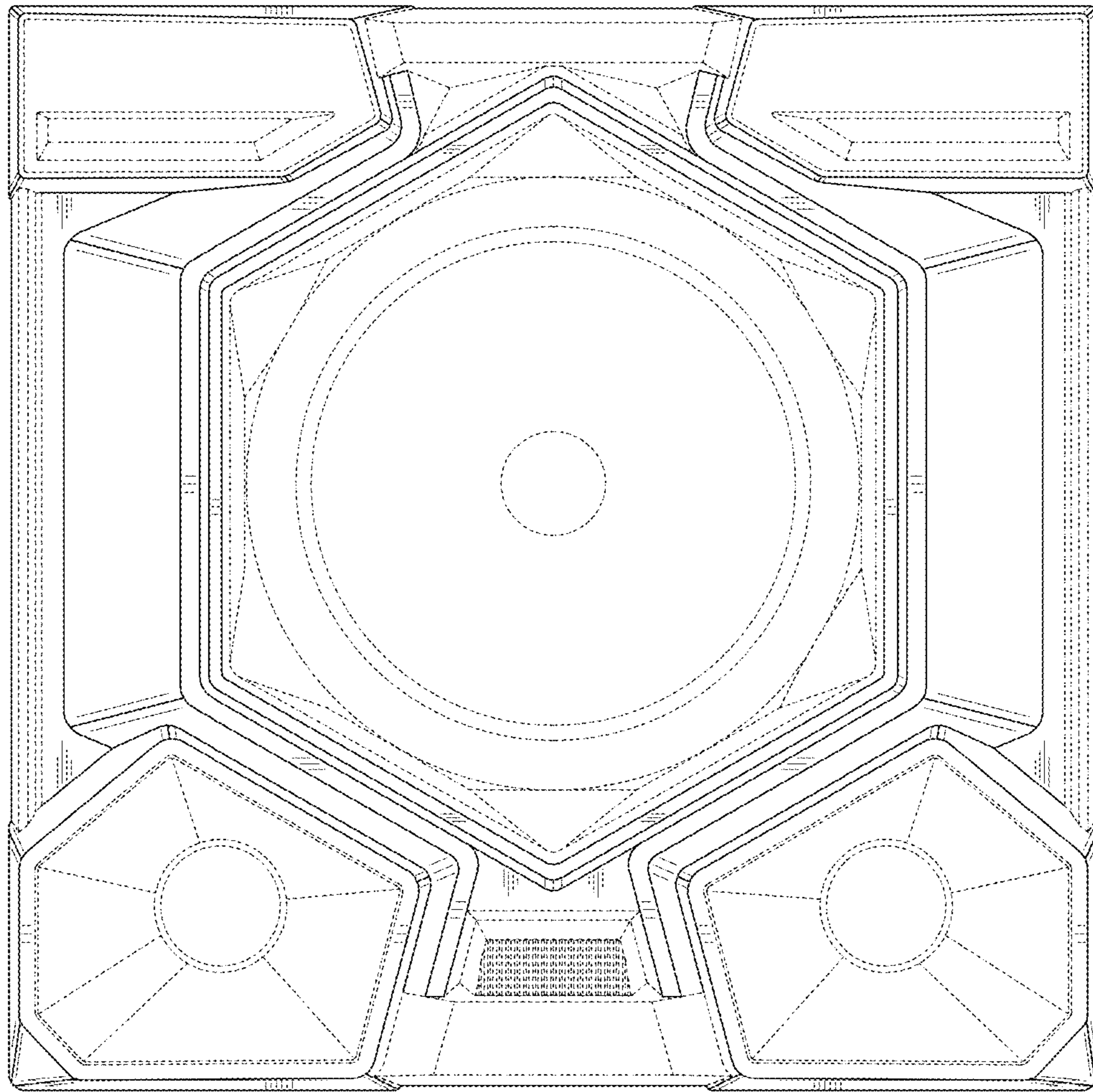


FIG. 3

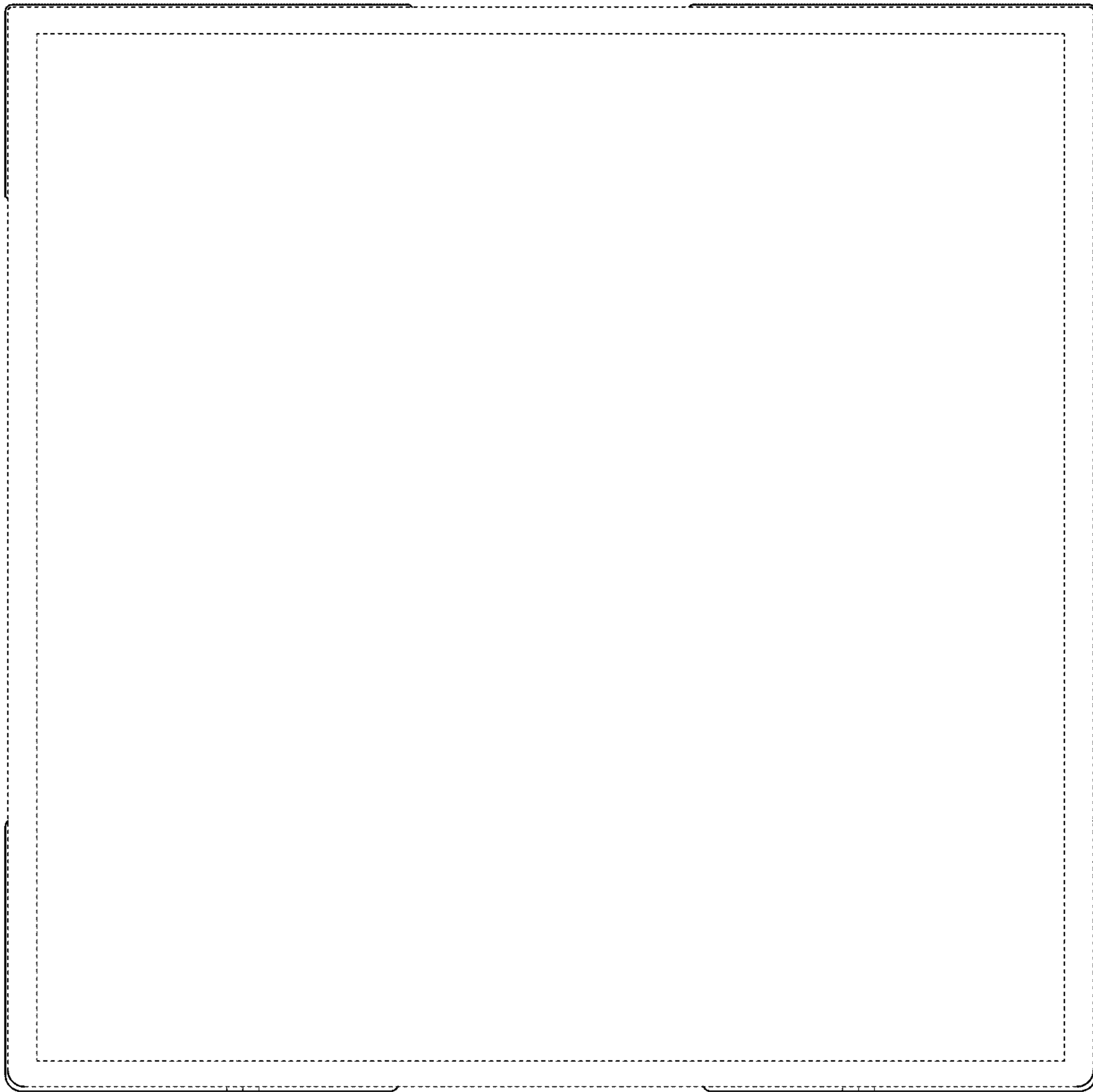


FIG. 4

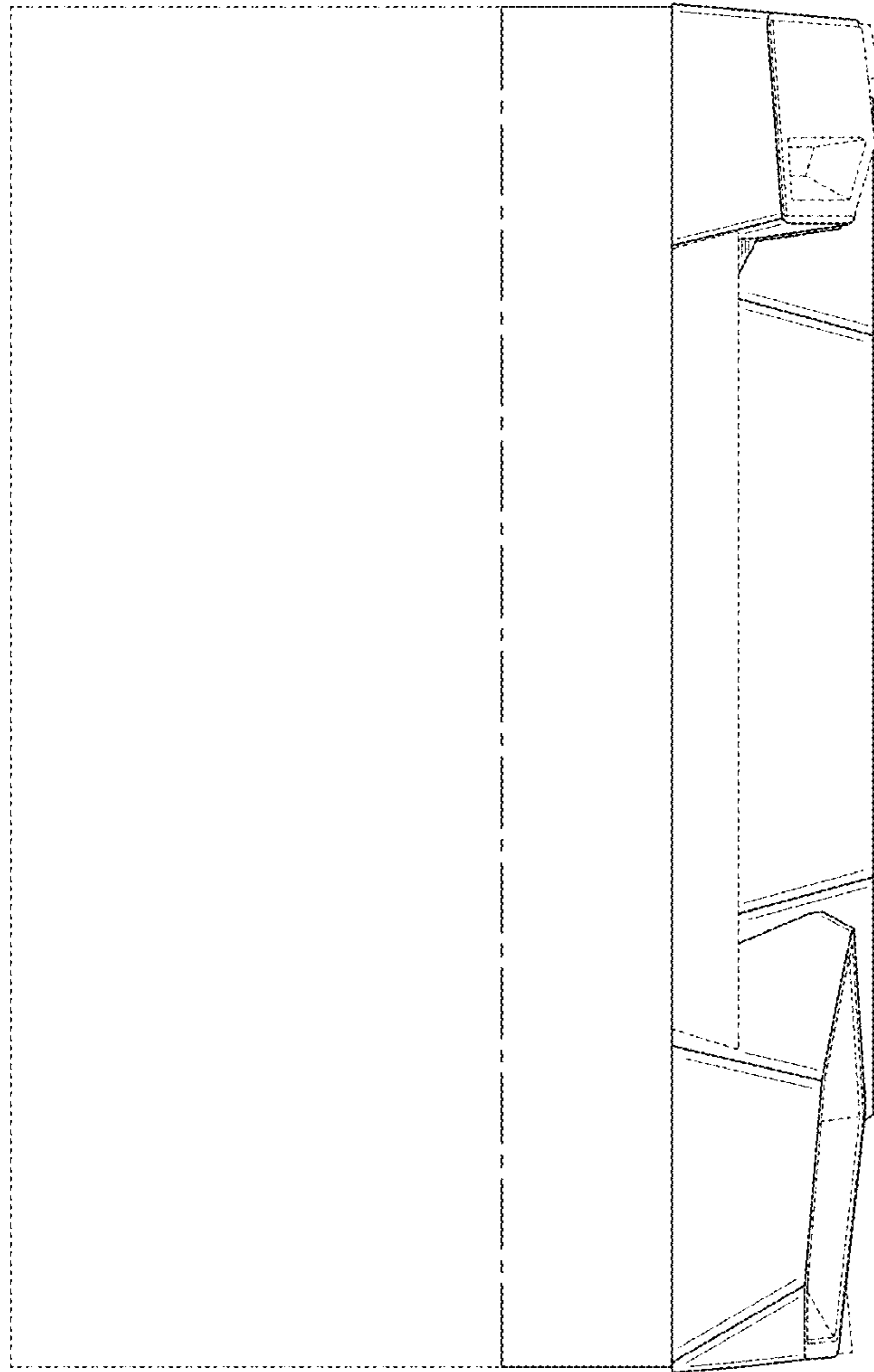


FIG. 5

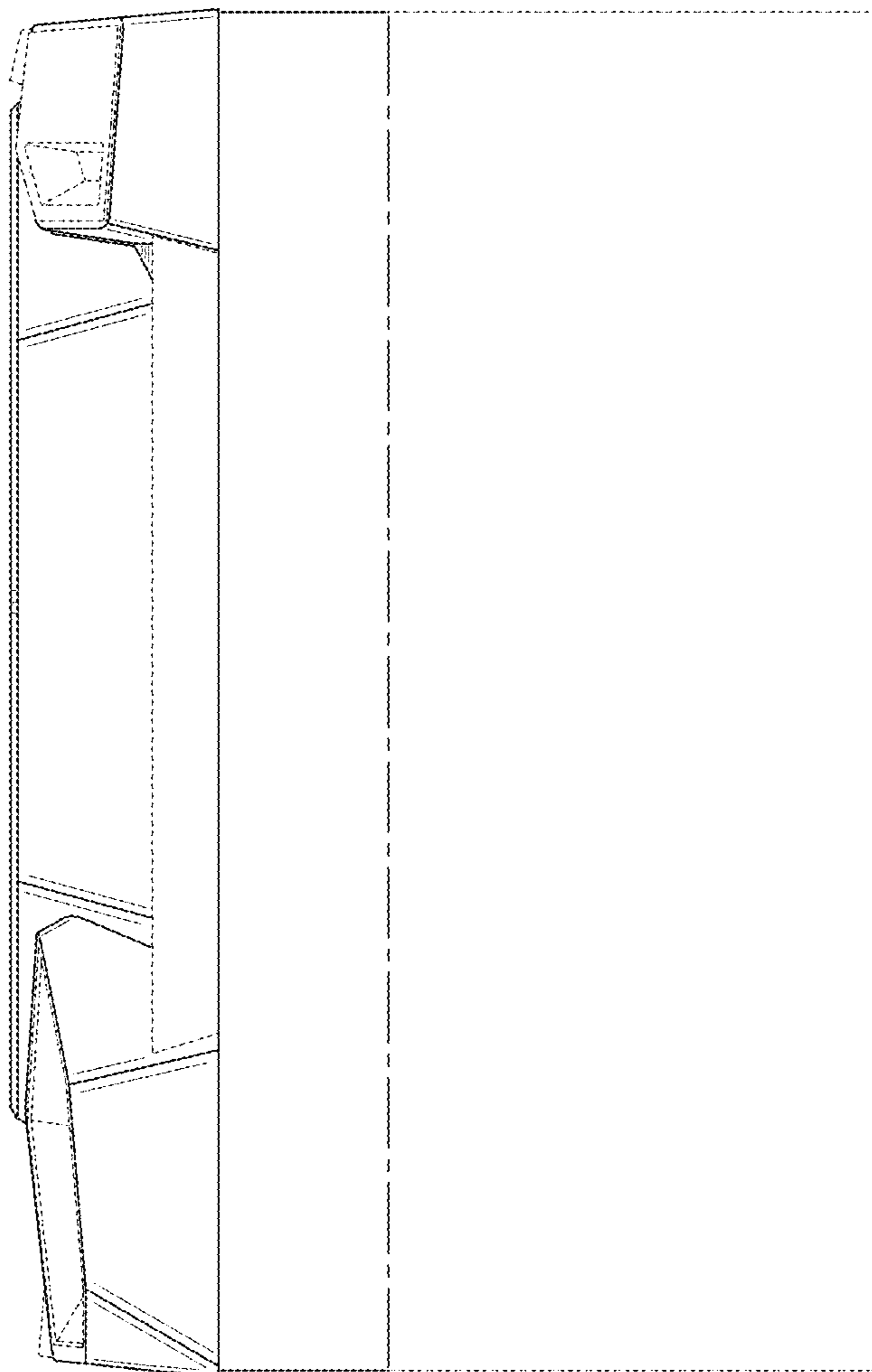


FIG. 6

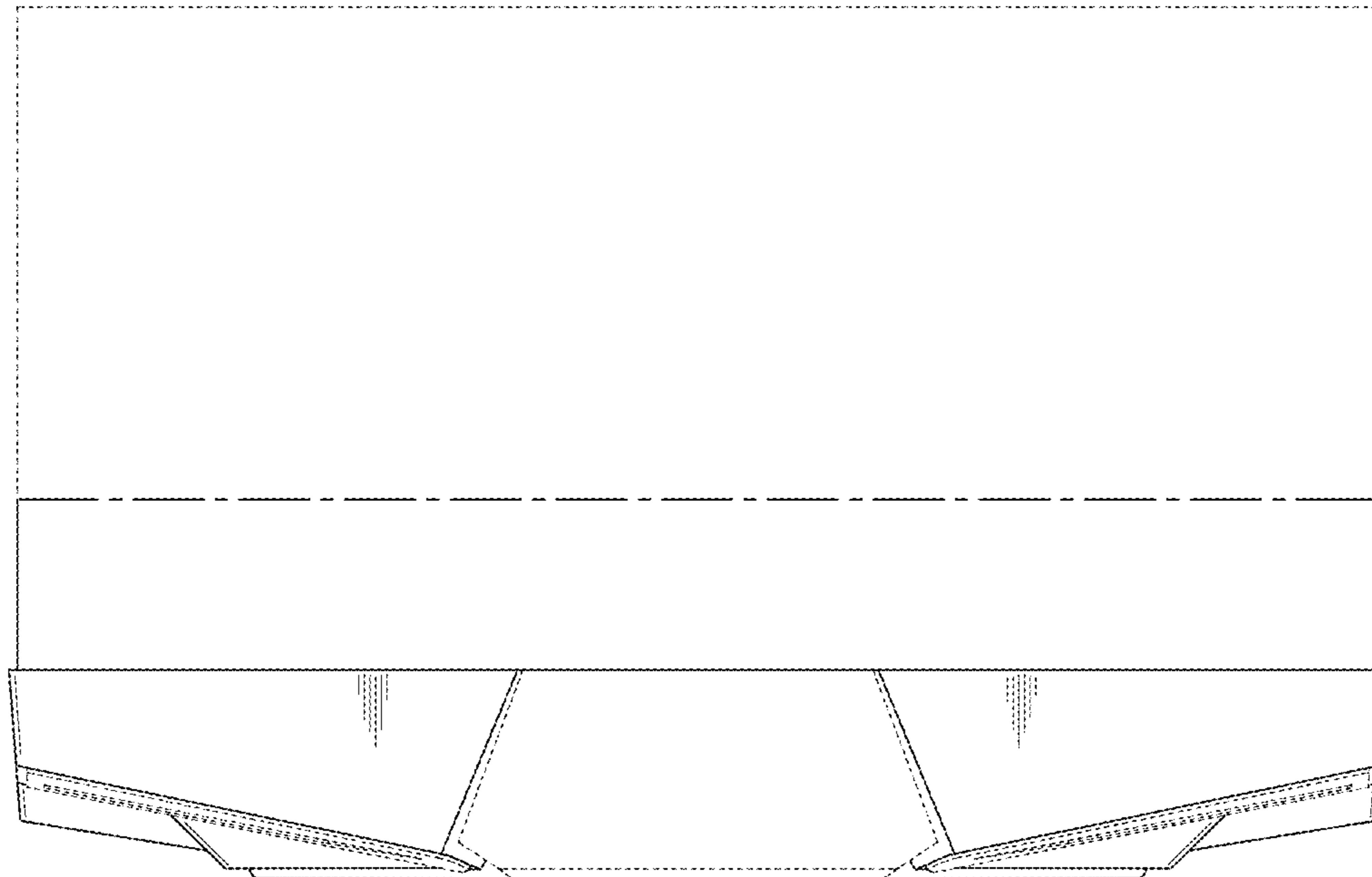


FIG. 7

