



US00D772186S

(12) **United States Design Patent**
Wyatt et al.

(10) **Patent No.:** **US D772,186 S**

(45) **Date of Patent:** **** Nov. 22, 2016**

(54) **WIRELESS ELECTRONIC VIDEO DEVICE**

(71) Applicant: **Intel Corporation**, Santa Clara, CA (US)

(72) Inventors: **Peter Wyatt**, San Mateo, CA (US);
Sayan Lahiri, Hillsboro, OR (US);
Christine Kim, San Jose, CA (US);
Aleksander Magi, Aloha, OR (US);
Jianfang Zhu, Portland, OR (US);
Misha Singh, Union City, CA (US);
Kerry Lee Forell, Portland, OR (US)

(73) Assignee: **Intel Corporation**, Santa Clara, CA (US)

(**) Term: **15 Years**

(21) Appl. No.: **29/528,773**

(22) Filed: **Jun. 1, 2015**

(51) **LOC (10) Cl.** **14-03**

(52) **U.S. Cl.**
USPC **D14/125**

(58) **Field of Classification Search**
USPC D14/125, 357-358, 496, 188, 242, 432;
D13/184; 348/10, 460, 706, 731;
340/825.03; 455/6.1, 6.2; 312/223.1,
312/7.2
CPC H04N 5/50; H04N 5/64; H05K 5/02;
H05K 5/03; G06F 1/16
See application file for complete search history.

(56) **References Cited**

U.S. PATENT DOCUMENTS

D363,700 S * 10/1995 Buongervino D13/147
D478,563 S * 8/2003 Brown D13/147

D556,734 S * 12/2007 Otani D14/188
D572,269 S * 7/2008 Fullerton D14/496
D585,077 S * 1/2009 Sheba D14/434
D672,351 S * 12/2012 Camacho D14/435.1
D706,248 S * 6/2014 Myung D14/240
D755,183 S * 5/2016 Patel D14/433
D759,012 S * 6/2016 Golden D10/50

* cited by examiner

Primary Examiner — Randall Gholson

(74) *Attorney, Agent, or Firm* — Patent Capital Group

(57) **CLAIM**

The ornamental design for a wireless electronic video device, as shown and described.

DESCRIPTION

FIG. 1 is a perspective view illustrating a design for a wireless electronic video device according to one embodiment;

FIG. 2 is a back view thereof;

FIG. 3 is a front view thereof;

FIG. 4 is a side view thereof;

FIG. 5 is another side view thereof;

FIG. 6 is a top view thereof;

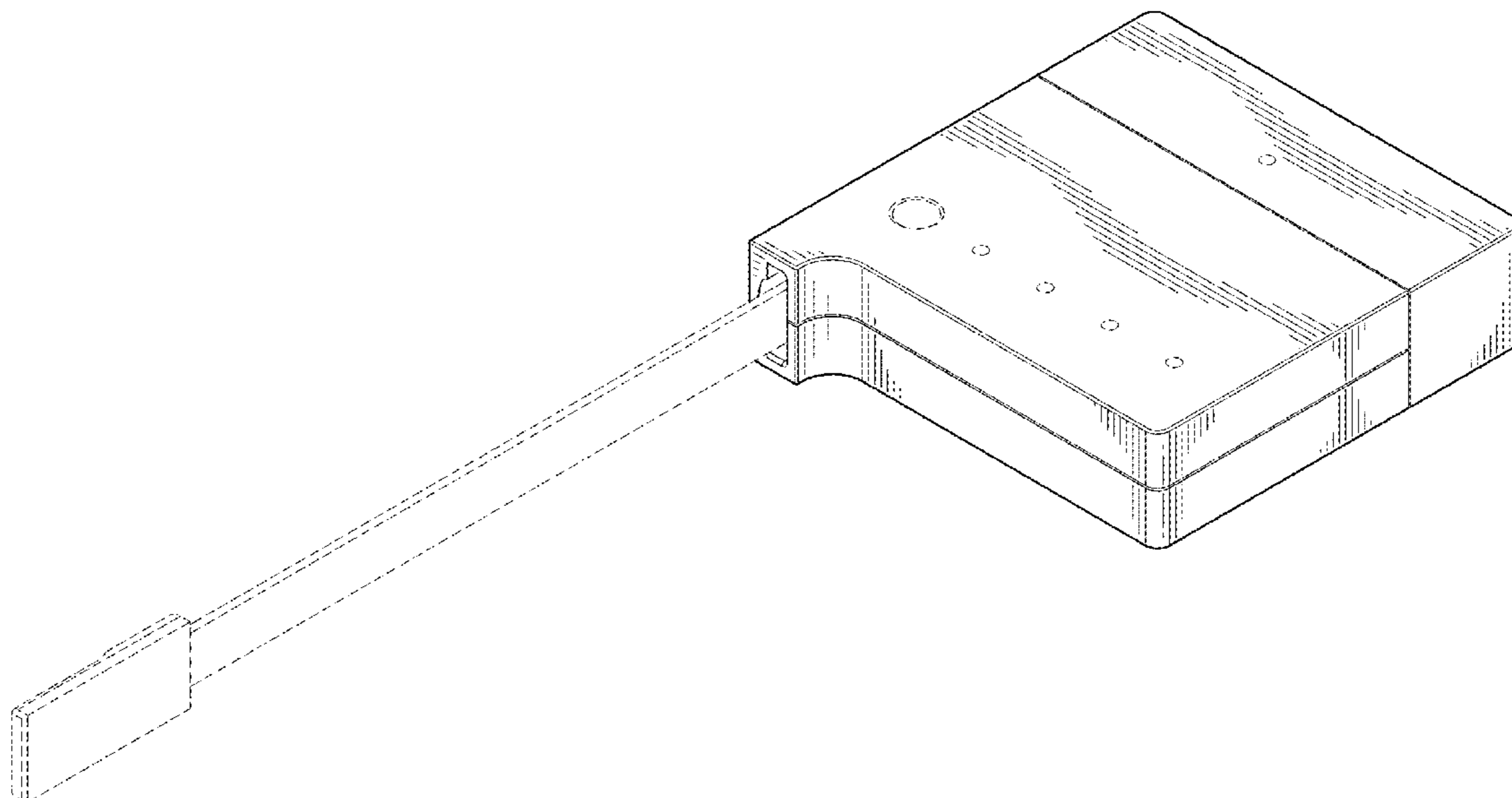
FIG. 7 is a bottom view thereof;

FIG. 8 is first perspective view illustrating a design for a wireless electronic video device according to another embodiment; and,

FIG. 9 is a second perspective view thereof.

The broken lines of the FIGURES are for illustration only. The broken lines and the unshaded regions bounded by broken lines of the preceding FIGURES illustrate boundaries and, therefore, form no part of the claimed design. Non-oblique line shading is meant to show contour and not surface ornamentation.

1 Claim, 6 Drawing Sheets



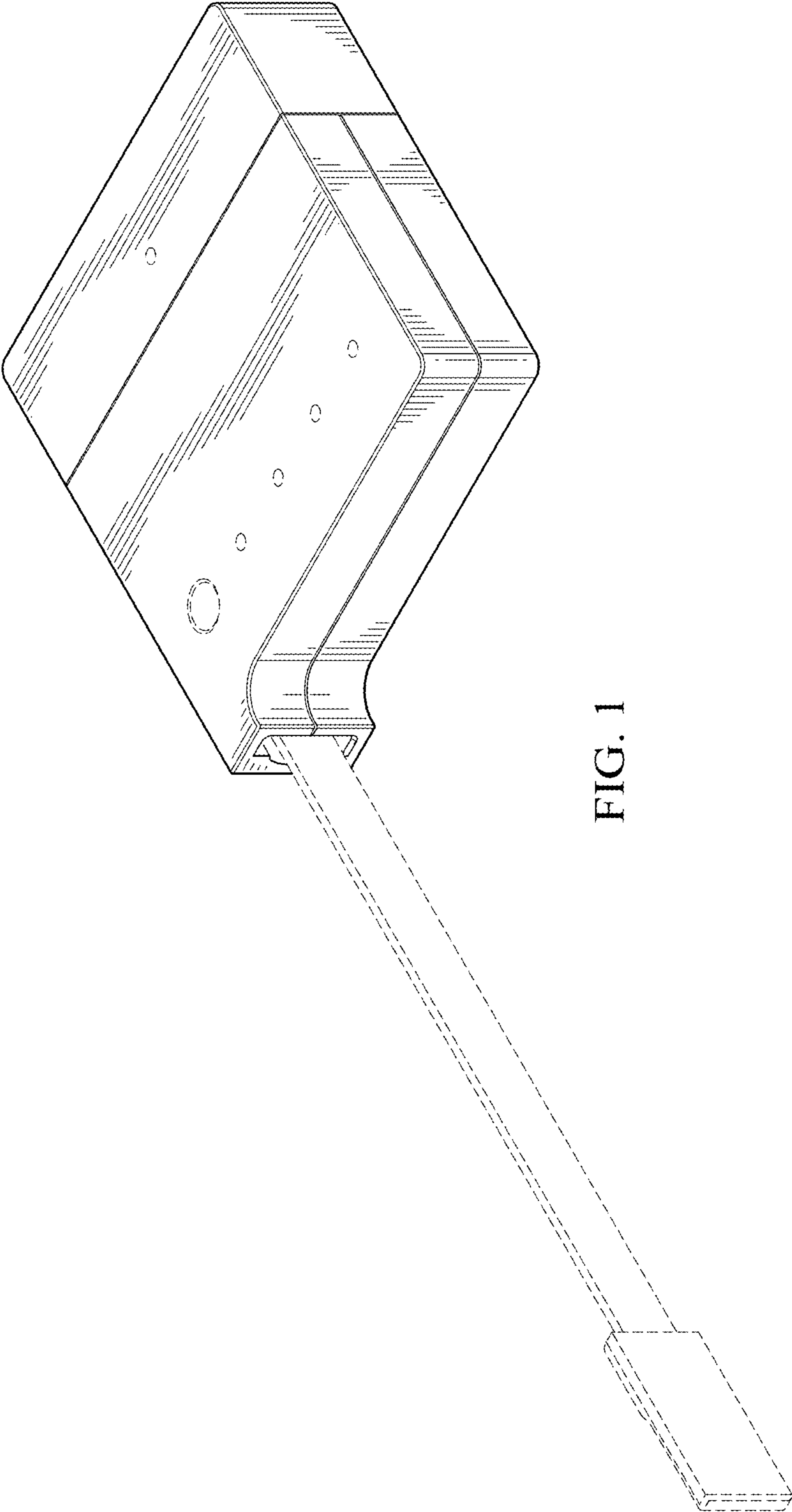


FIG. 1

FIG. 2

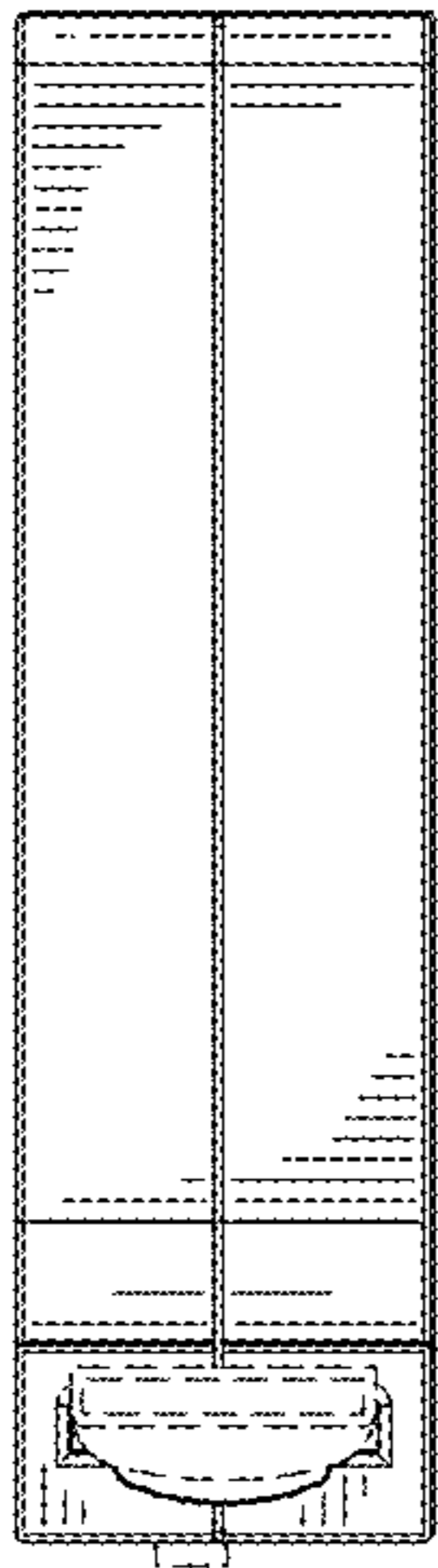


FIG. 3

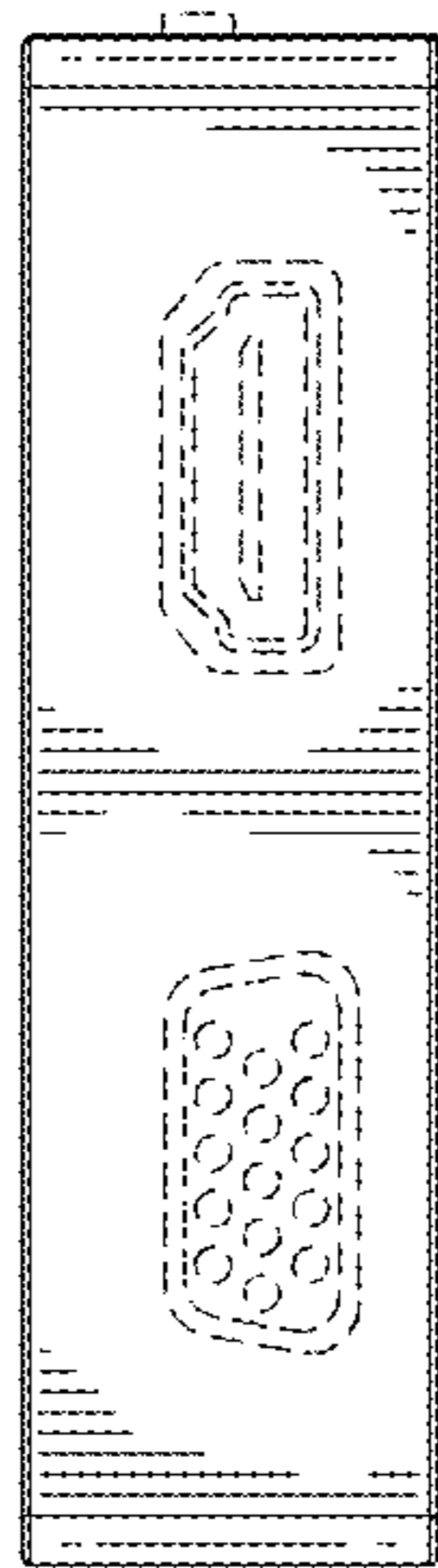


FIG. 4

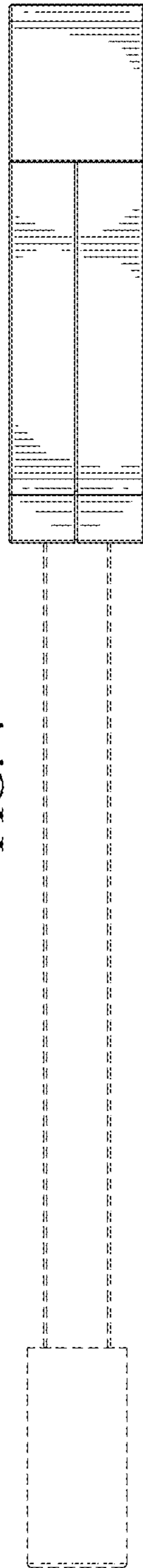
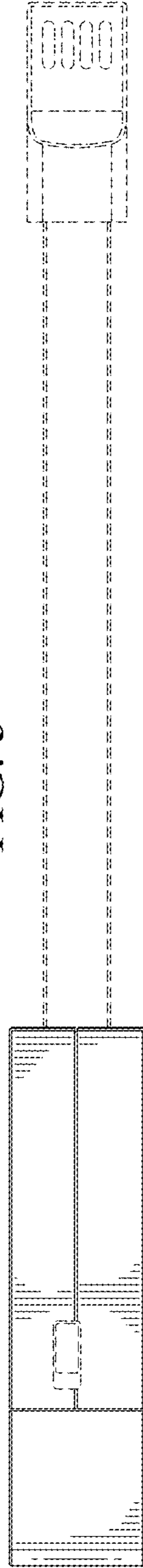


FIG. 5



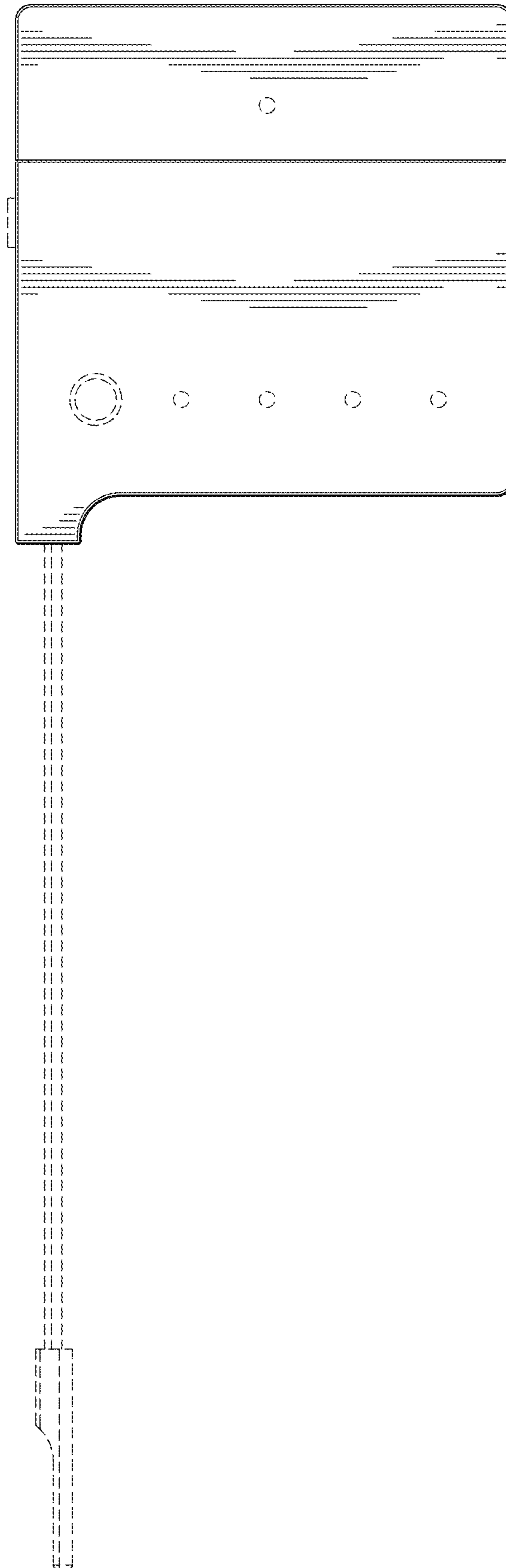
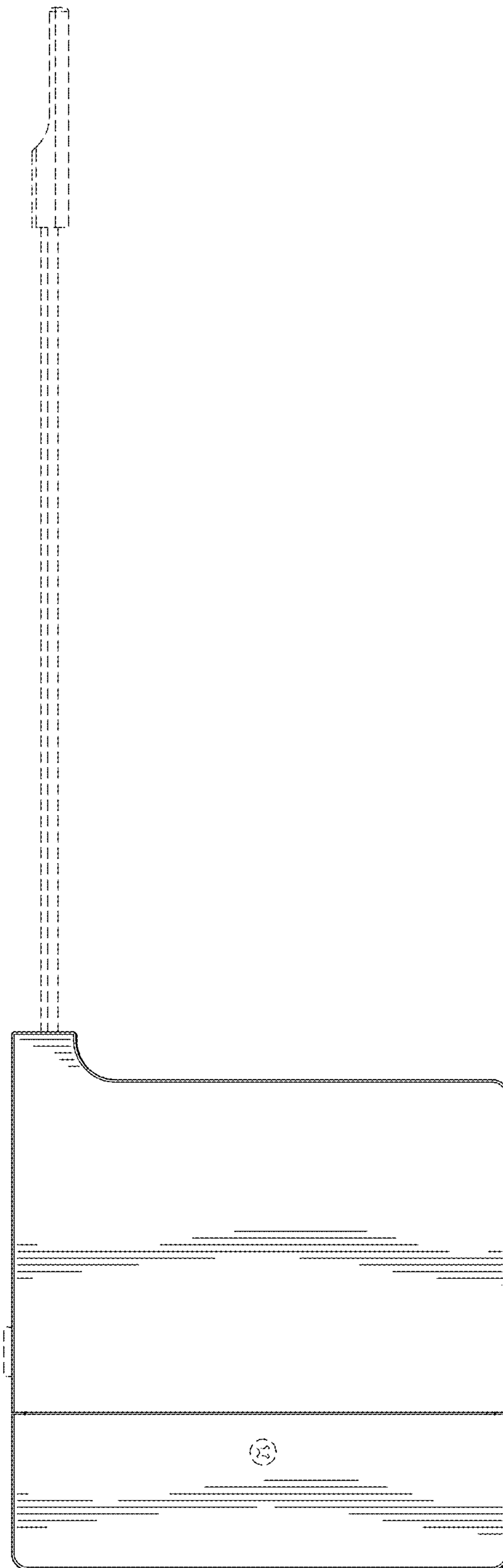


FIG. 6

FIG. 7



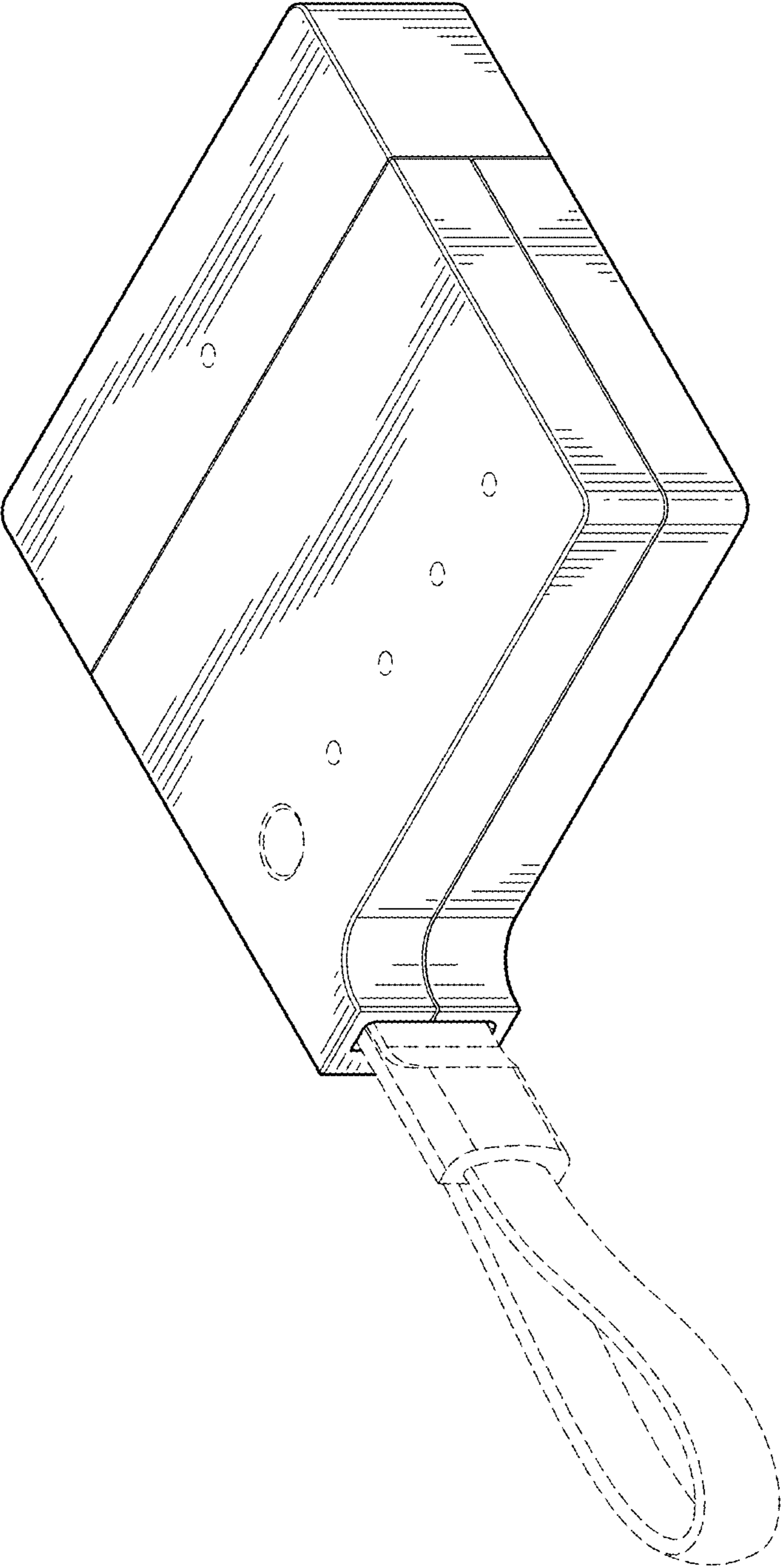


FIG. 8

