



US00D772183S

(12) **United States Design Patent**  
**Kusakabe et al.**

(10) **Patent No.:** **US D772,183 S**

(45) **Date of Patent:** **\*\* Nov. 22, 2016**

(54) **WAFER BOAT**  
(71) Applicant: **Tokyo Electron Limited**, Tokyo (JP)  
(72) Inventors: **Yoshinori Kusakabe**, Iwate (JP);  
**Masami Oikawa**, Iwate (JP)  
(73) Assignee: **TOKYO ELECTRON LIMITED**,  
Tokyo (JP)  
(\*\*) Term: **14 Years**

5,752,609 A \* 5/1998 Kato ..... H01L 21/67309  
118/500  
D404,015 S \* 1/1999 Honma ..... D13/182  
D404,371 S \* 1/1999 Shimazu ..... D13/182  
5,897,311 A \* 4/1999 Nishi ..... C23C 16/4583  
432/239  
D409,158 S \* 5/1999 Shimazu ..... 206/832  
D411,176 S \* 6/1999 Shimazu ..... D13/182  
6,062,853 A \* 5/2000 Shimazu ..... H01L 21/6875  
211/41.18  
6,065,615 A \* 5/2000 Uchiyama ..... H01L 21/67306  
118/500

(Continued)

(21) Appl. No.: **29/525,561**

(22) Filed: **Apr. 30, 2015**

(30) **Foreign Application Priority Data**

Nov. 20, 2014 (JP) ..... 2014-025968

(51) **LOC (10) Cl.** ..... **13-03**

(52) **U.S. Cl.**  
USPC ..... **D13/182**

(58) **Field of Classification Search**

USPC ..... D13/182; D15/144, 144.1, 199;  
118/715, 500, 728, 729; 211/41.18;  
432/253, 258; 156/345.51, 345.52,  
156/345.53, 345.55; 414/217, 220.01,  
414/935-941

CPC ..... C23C 16/458; C23C 16/4581; C23C  
16/4582; C23C 16/4583; C23C 16/4584;  
C23C 16/4586; C23C 16/4587; C23C  
16/4588; C30B 31/14; H01L 21/673; H01L  
21/67303; H01L 21/67306; H01L 21/67309;  
H01L 21/67313; H01L 21/67316; H01L  
21/67323; H01L 21/67326; H01L 21/6733

See application file for complete search history.

(56) **References Cited**

**U.S. PATENT DOCUMENTS**

D361,752 S \* 8/1995 Yamaga ..... D13/182  
D366,868 S \* 2/1996 Ohsawa ..... D13/182  
D378,675 S \* 4/1997 Iwai ..... D13/182  
D378,823 S \* 4/1997 Watanabe ..... D13/182  
D380,454 S \* 7/1997 Iwai ..... D13/182

**OTHER PUBLICATIONS**

U.S. Appl. No. 29/525,559, filed Apr. 30, 2015, Tokyo Electron Limited.

(Continued)

*Primary Examiner* — Elizabeth J Oswecki

(74) *Attorney, Agent, or Firm* — IPUSA, PLLC

(57) **CLAIM**

The ornamental design for a wafer boat, as shown and described.

**DESCRIPTION**

FIG. 1 is a front, top, left side perspective view of a wafer boat, showing our new design;

FIG. 2 is an enlarged portion view taken along line 2-2 in FIG. 1;

FIG. 3 is an enlarged portion view taken along line 3-3 in FIG. 1;

FIG. 4 is a right side view of FIG. 1; the left side view being a mirror image;

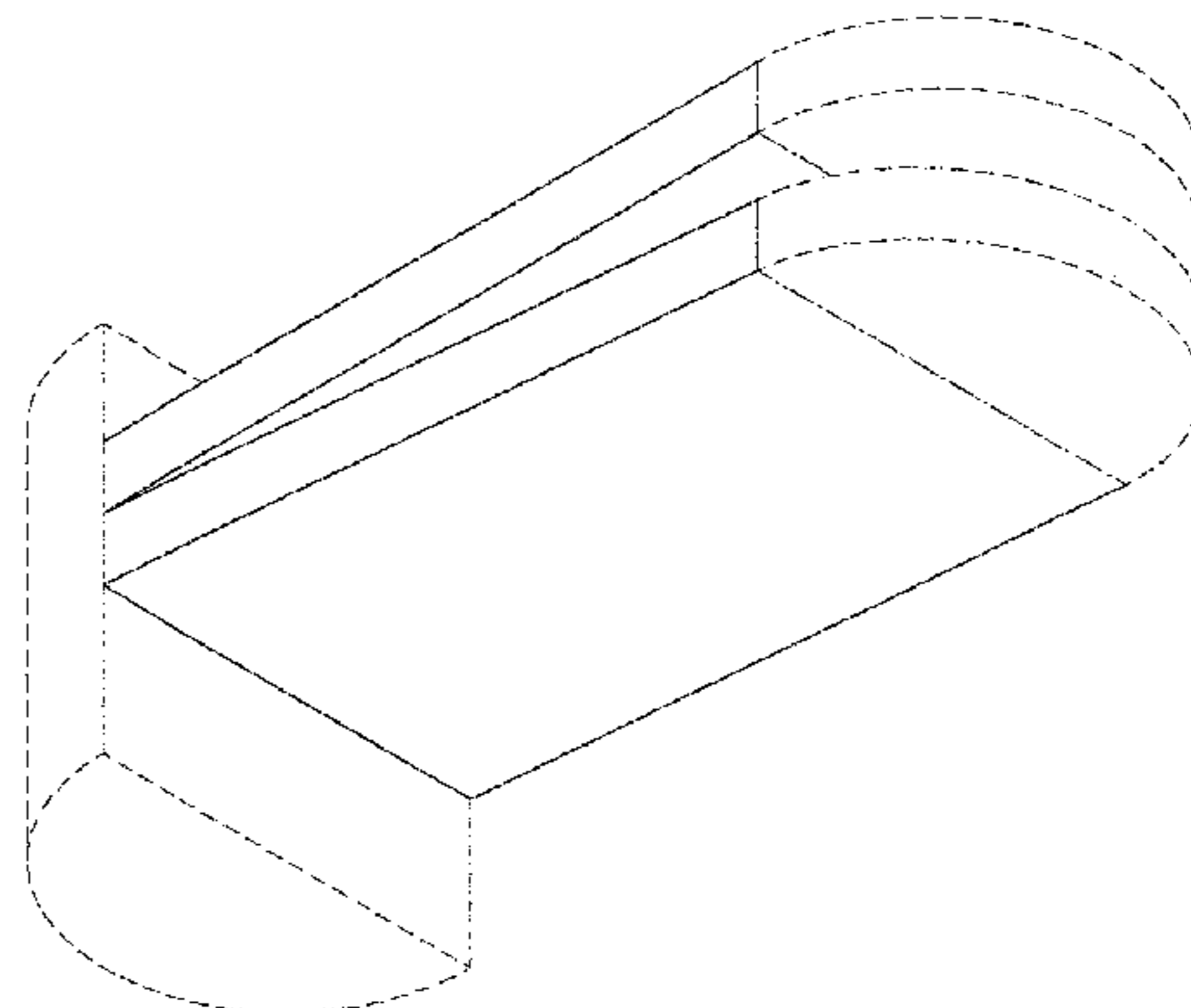
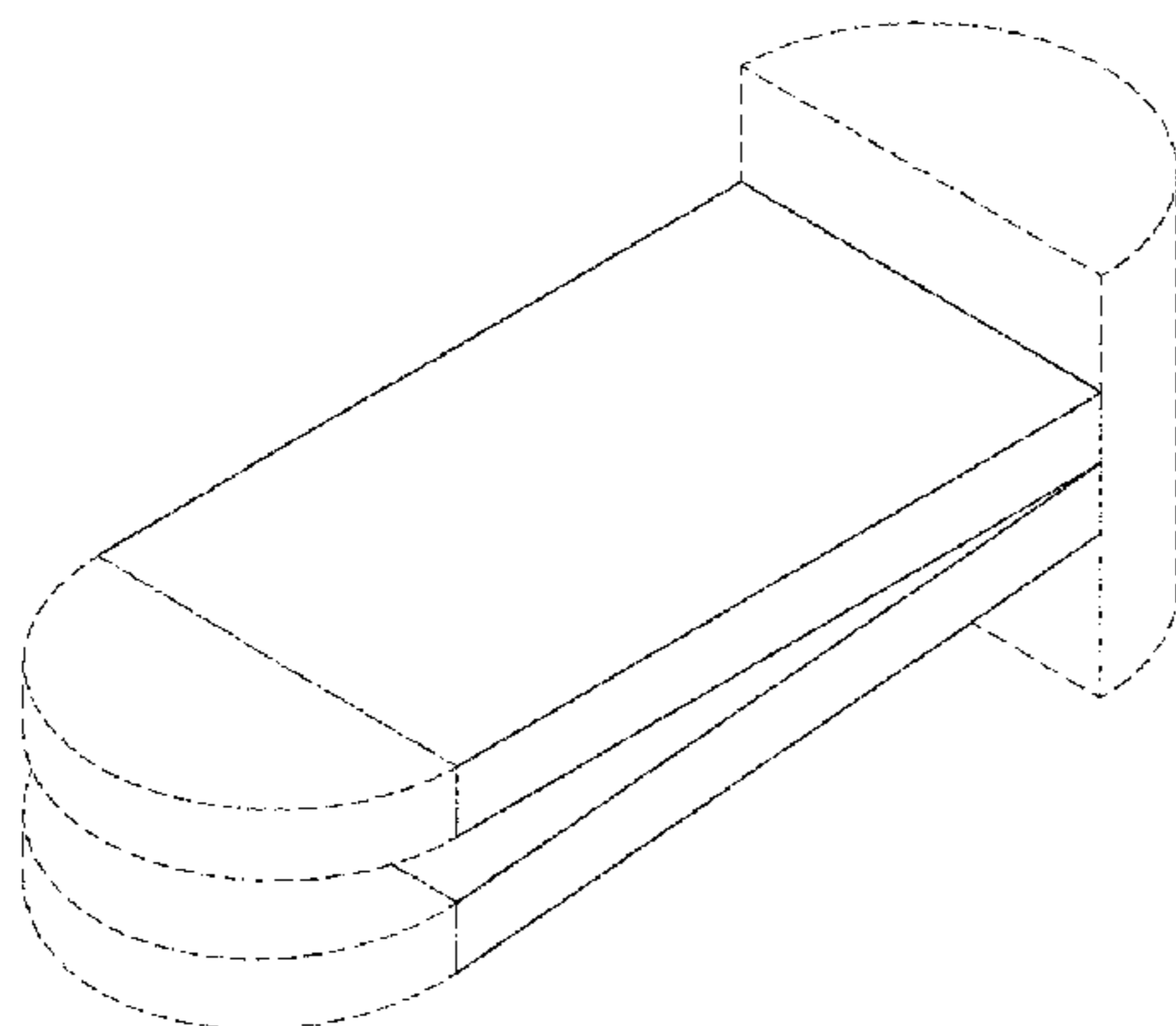
FIG. 5 is an enlarged portion view taken along line 5-5 in FIG. 4;

FIG. 6 is a top plan view of FIG. 2; and,

FIG. 7 is a bottom plan view of FIG. 2.

The broken lines shown in the drawings represent portions of the wafer boat that form no part of the claimed design. All sides not shown form no part of the claimed design.

**1 Claim, 4 Drawing Sheets**



(56)

References Cited

U.S. PATENT DOCUMENTS

6,099,302 A \* 8/2000 Hong ..... C30B 25/12  
211/41.18  
6,099,645 A \* 8/2000 Easley ..... C30B 31/14  
118/500  
6,287,112 B1 \* 9/2001 Van Voorst  
Vader ..... H01L 21/67309  
118/728  
6,341,935 B1 \* 1/2002 Tseng ..... H01L 21/67303  
118/500  
D570,308 S \* 6/2008 Sato ..... D13/182  
D570,309 S \* 6/2008 Sato ..... D13/182  
D580,894 S \* 11/2008 Sato ..... D13/182  
7,484,958 B2 \* 2/2009 Kobayashi ..... H01L 21/67309  
211/41.18  
D600,221 S \* 9/2009 Sato ..... D13/182  
D600,222 S \* 9/2009 Sato ..... D13/182  
D616,394 S \* 5/2010 Sato ..... D13/182  
D616,395 S \* 5/2010 Sato ..... D13/182  
D655,255 S \* 3/2012 Takebayashi ..... D13/182  
D655,682 S \* 3/2012 Takebayashi ..... D13/182  
D737,785 S \* 9/2015 Yoshida ..... D13/182  
D738,329 S \* 9/2015 Yoshida ..... D13/182

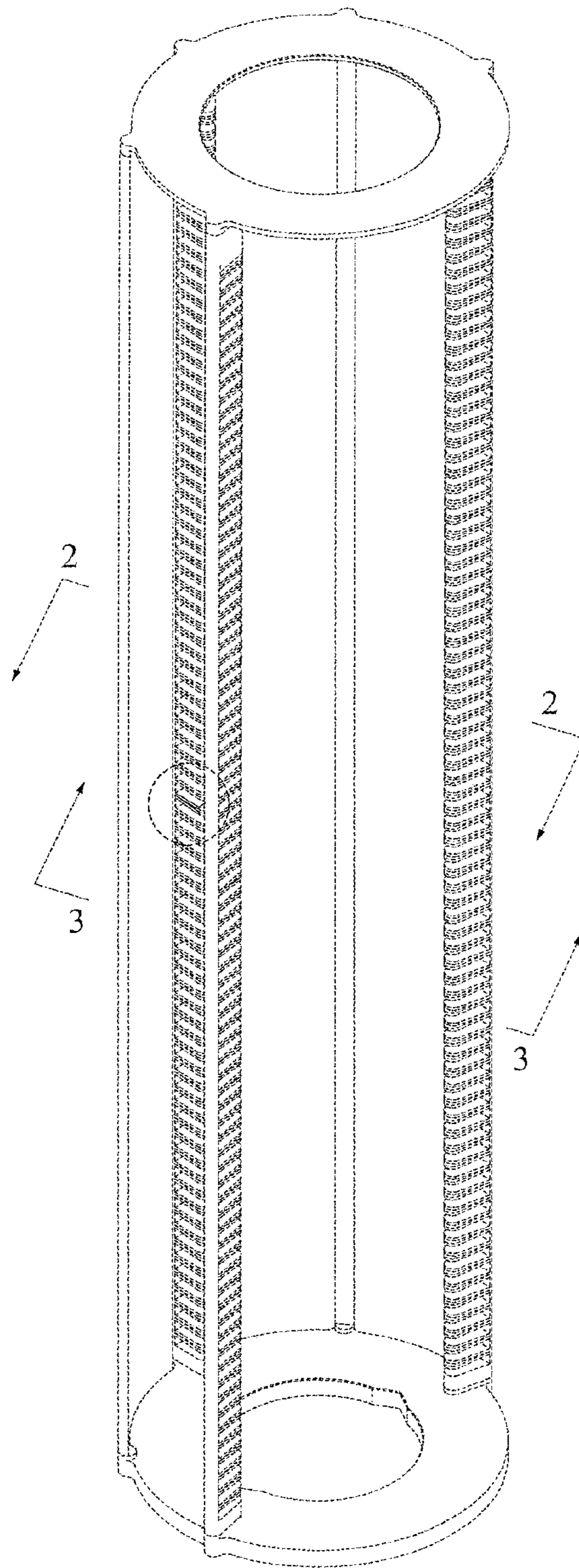
D739,831 S \* 9/2015 Takagi ..... D13/182  
D740,769 S \* 10/2015 Takagi ..... D13/182  
D747,279 S \* 1/2016 Yoshida ..... D13/182  
2002/0092815 A1 \* 7/2002 Kim ..... C30B 31/14  
211/41.18  
2002/0113027 A1 \* 8/2002 Minami ..... H01L 21/67109  
211/41.18  
2002/0130061 A1 \* 9/2002 Hengst ..... C23C 16/325  
206/710  
2002/0187023 A1 \* 12/2002 Araki ..... C30B 31/14  
414/160  
2003/0024888 A1 \* 2/2003 Payne ..... H01L 21/67303  
211/41.18  
2005/0145584 A1 \* 7/2005 Buckley ..... H01L 21/67303  
211/41.18

OTHER PUBLICATIONS

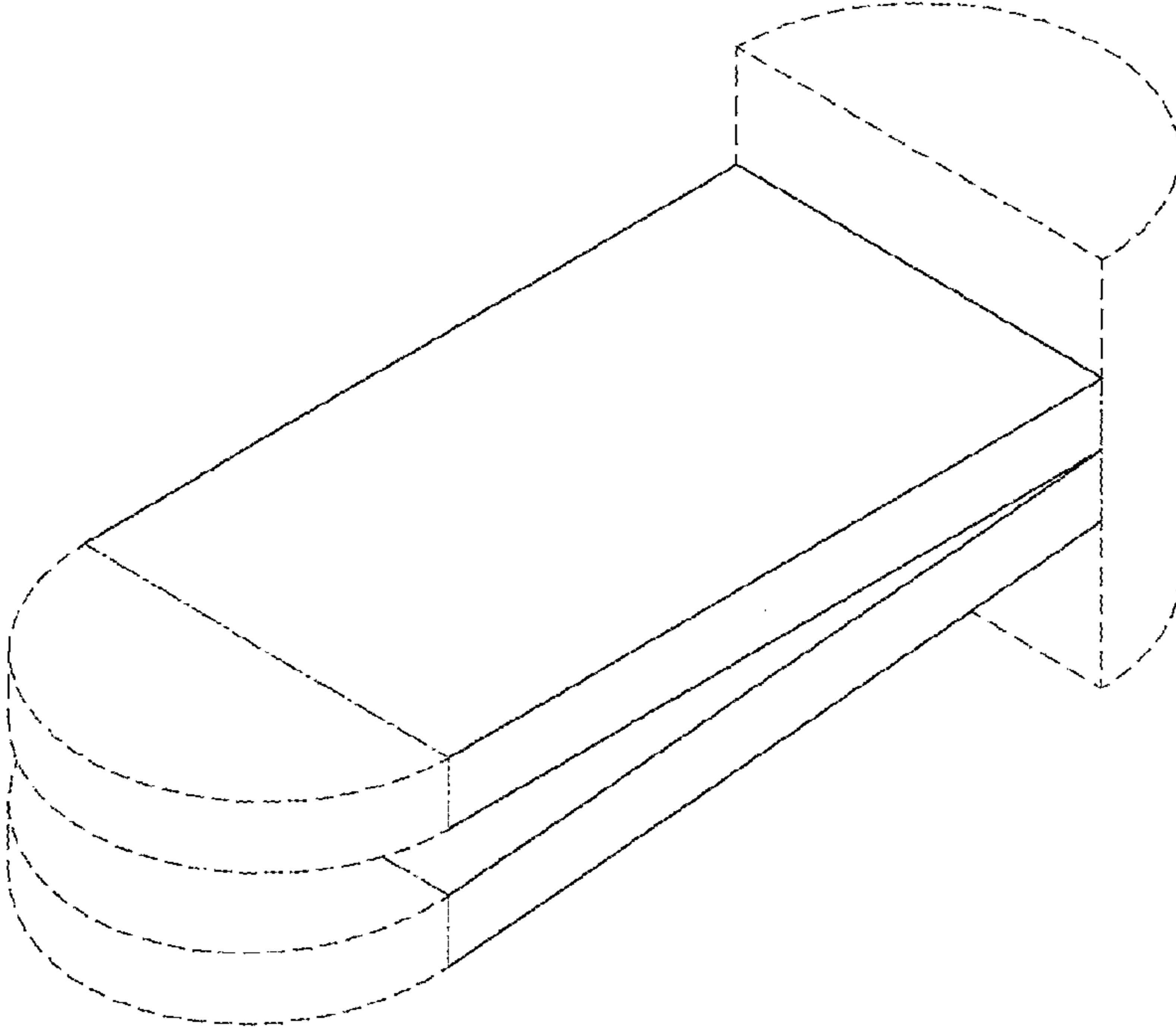
U.S. Appl. No. 29/525,563, filed Apr. 30, 2015, Tokyo Electron Limited.

U.S. Appl. No. 29/525,566, filed Apr. 30, 2015, Tokyo Electron Limited.

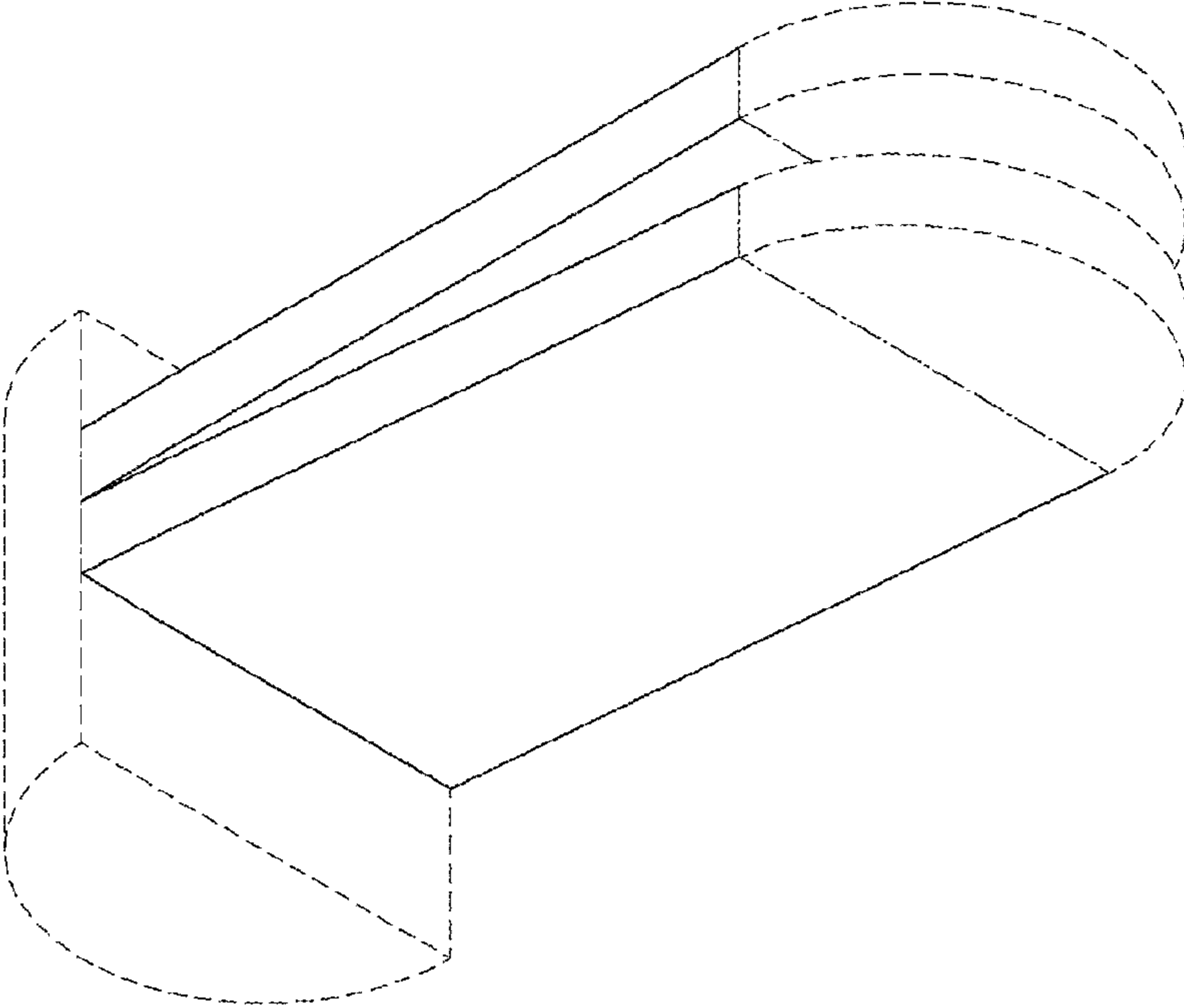
\* cited by examiner



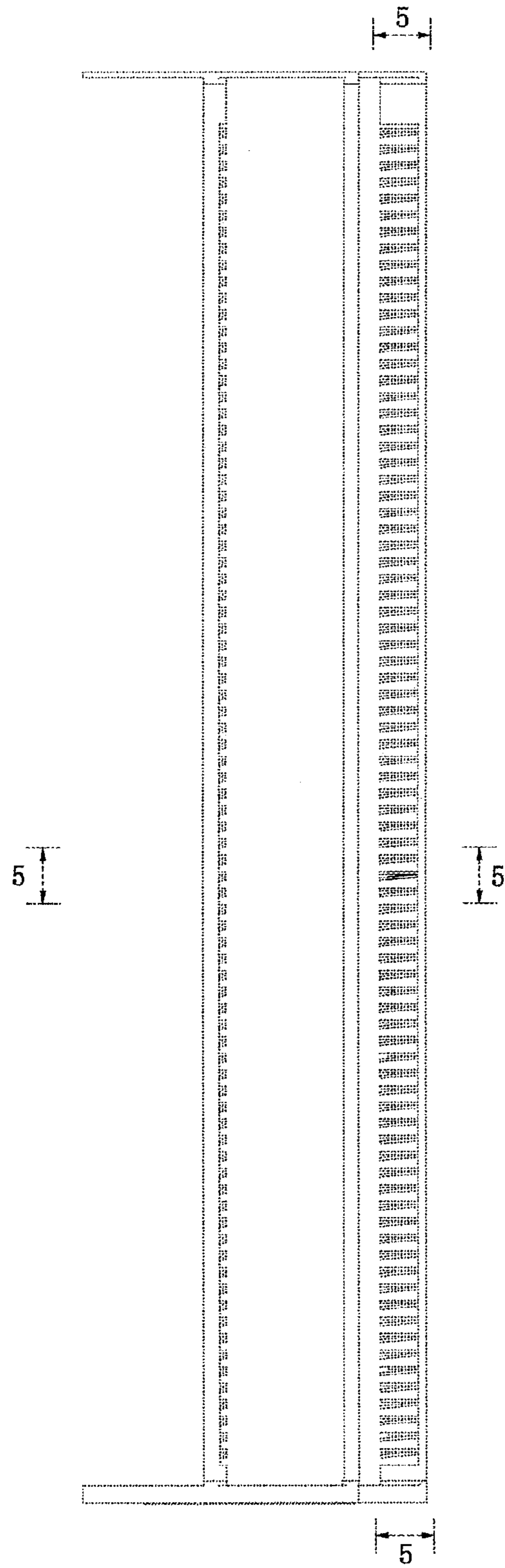
*Fig. 1*



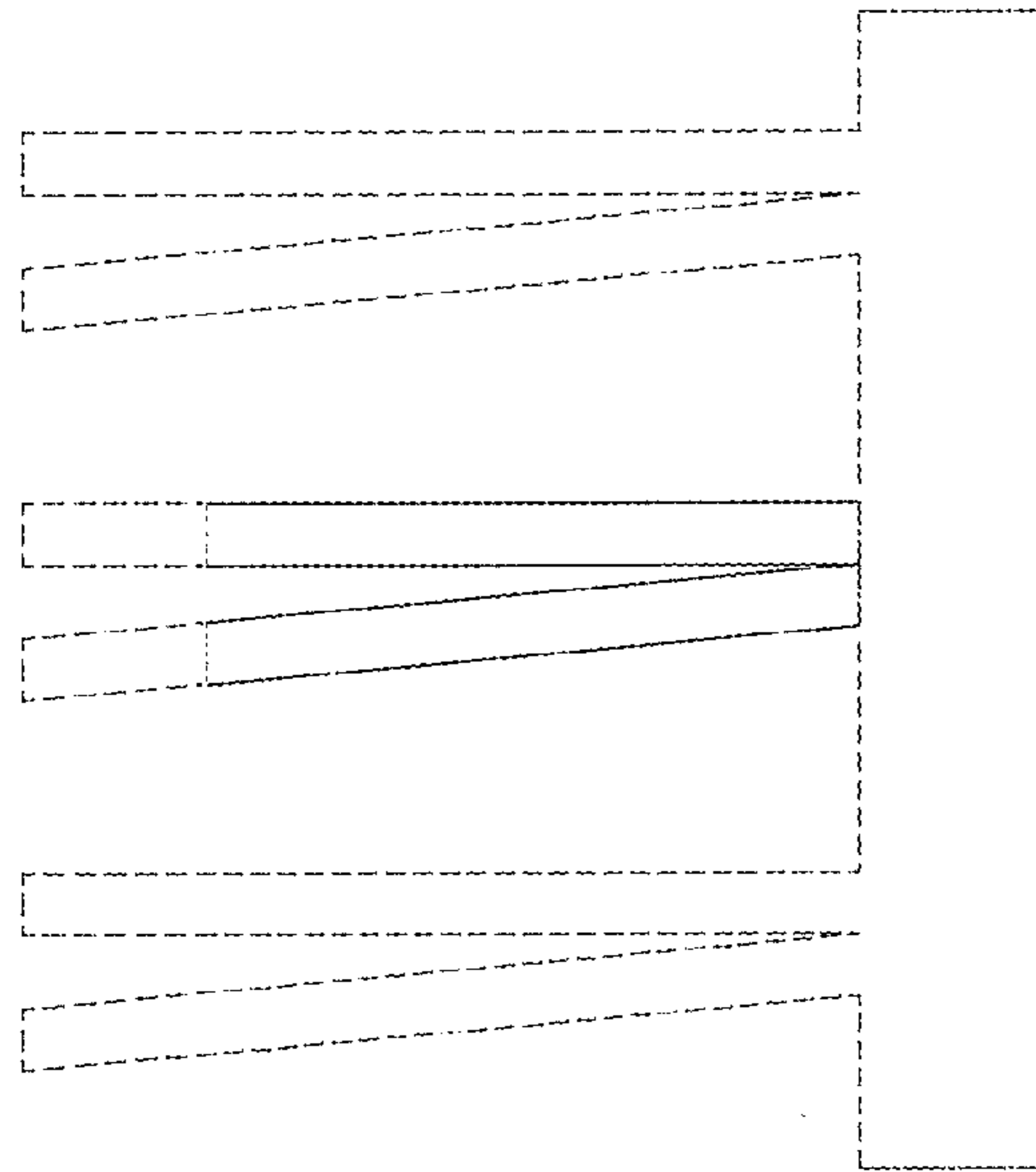
*Fig. 2*



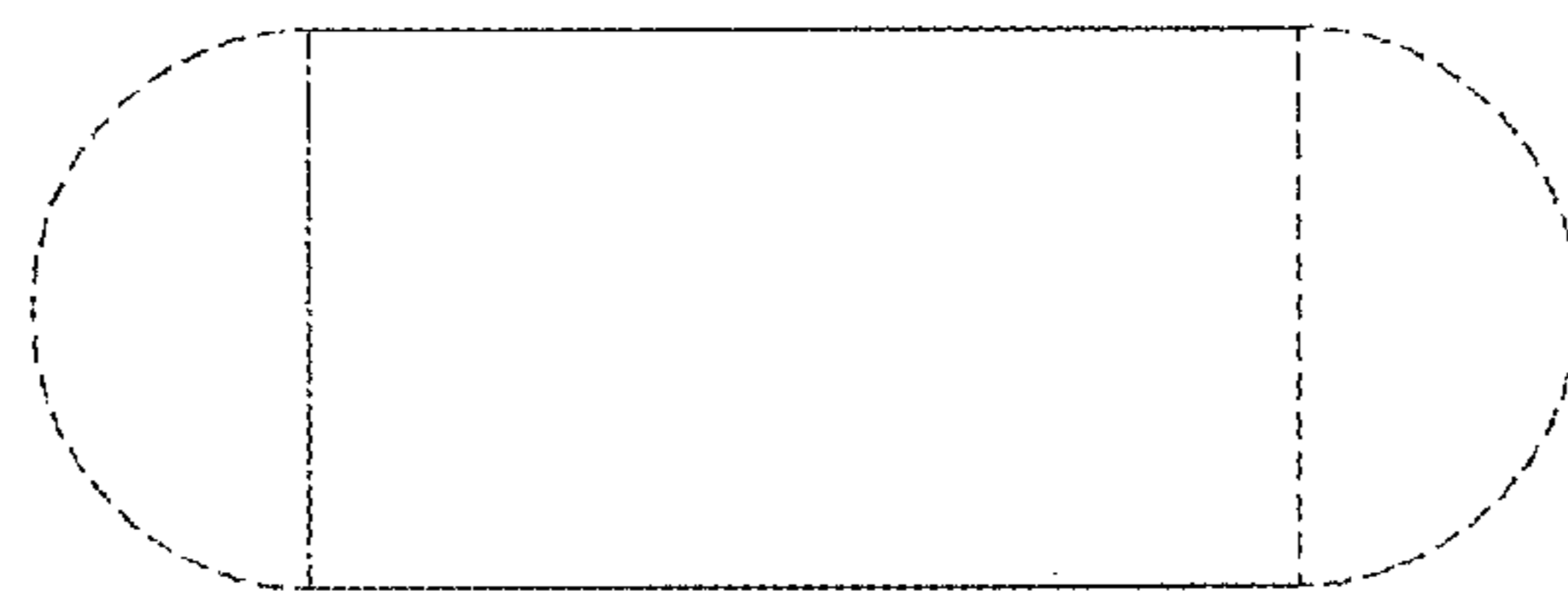
*Fig. 3*



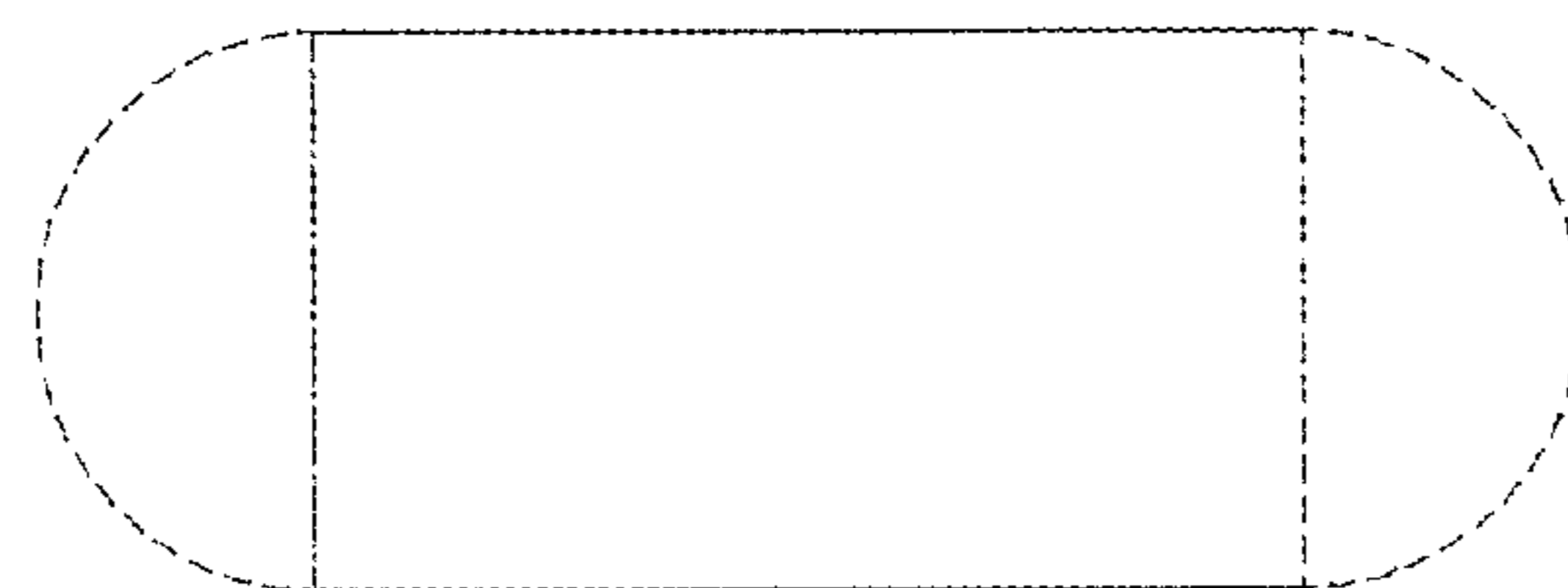
*Fig. 4*



*Fig. 5*



*Fig. 6*



*Fig. 7*