



US00D772176S

(12) **United States Design Patent** (10) **Patent No.:** **US D772,176 S**
Johnson (45) **Date of Patent:** **** Nov. 22, 2016**

- (54) **ROCKER SWITCH COVER**
- (71) Applicant: **Caterpillar Inc.**, Peoria, IL (US)
- (72) Inventor: **Terril Johnson**, Washington, IL (US)
- (73) Assignee: **Caterpillar Inc.**, Peoria, IL (US)
- (**) Term: **14 Years**
- (21) Appl. No.: **29/520,281**
- (22) Filed: **Mar. 12, 2015**

5,810,109 A 9/1998 Chu
 5,833,048 A 11/1998 Dilly
 D403,641 S 1/1999 Sacco et al.

(Continued)

FOREIGN PATENT DOCUMENTS

KR 1020050026230 3/2005
 WO 2012/067991 5/2012

OTHER PUBLICATIONS

APEM Catalog, KR Series Power Rocker Switches, available at least as early as Jul. 2010 from the apem.com website.

(Continued)

Related U.S. Application Data

- (63) Continuation of application No. 29/449,003, filed on Mar. 14, 2013, now Pat. No. Des. 727,272.
- (51) **LOC (10) Cl.** **13-03**
- (52) **U.S. Cl.**
USPC **D13/174**
- (58) **Field of Classification Search**
USPC D13/169, 171, 174
CPC H01H 13/04; H01H 13/12; H01H 13/14;
H01H 23/00; H01H 23/02; H01H 23/025;
H01H 23/04; H01H 23/14; H01H 23/143;
H01H 23/145
See application file for complete search history.

Primary Examiner — Selina Sikder

(74) *Attorney, Agent, or Firm* — Saidman DesignLaw Group, LLC

(57) **CLAIM**

The ornamental design for a rocker switch cover, as shown and described.

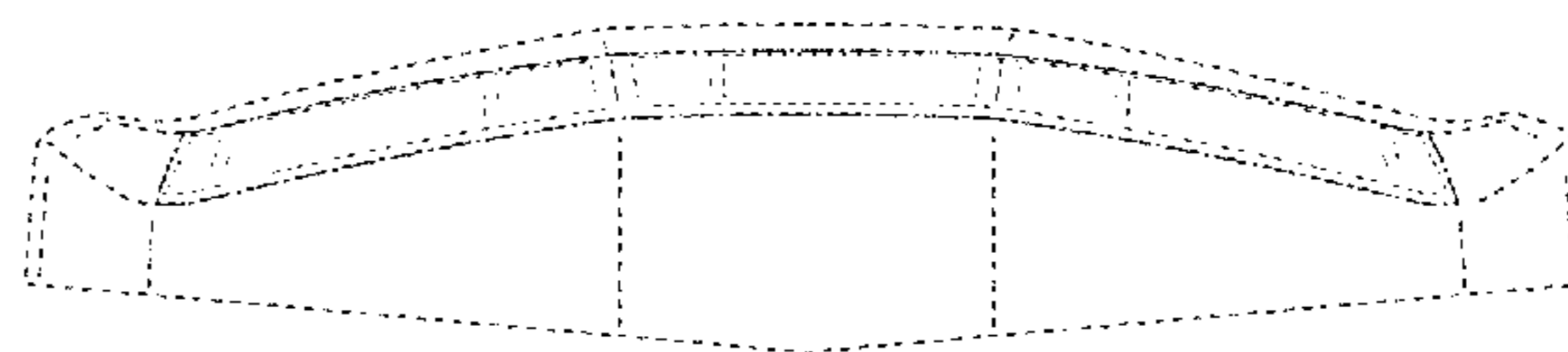
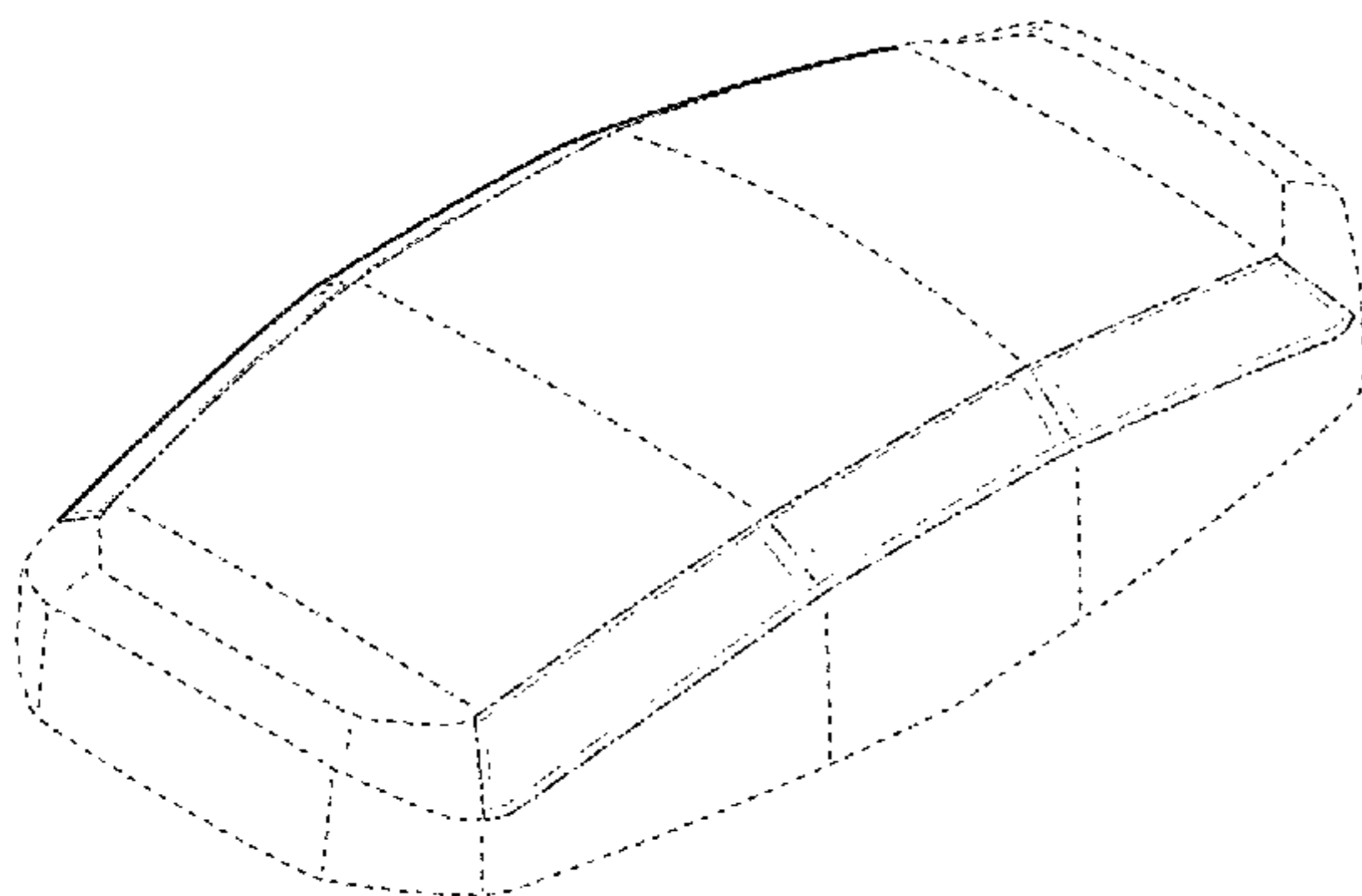
DESCRIPTION

FIG. 1 is a perspective view of a rocker switch cover showing my new design;
 FIG. 2 is a front view thereof, the rear view being identical thereto;
 FIG. 3 is a right side view thereof, the left side view being identical thereto; and,
 FIG. 4 is a top view thereof.
 The long dashed lines indicate contour and form part of the claimed design. The relatively light shade lines indicate contour and not surface decoration.
 The dashed broken lines are for the purpose of illustrating portions of the rocker switch cover and form no part of the claimed design.
 The dot-dash broken lines represent unclaimed boundaries and form no part of the claimed design.

1 Claim, 2 Drawing Sheets

(56) **References Cited**
 U.S. PATENT DOCUMENTS

- 3,974,347 A 8/1976 Lockard
- D285,915 S 9/1986 Luthe et al.
- 4,654,487 A 3/1987 Sawada
- 4,904,833 A 2/1990 Sato et al.
- 5,095,181 A 3/1992 Osika et al.
- D328,454 S 8/1992 Sorenson et al.
- D339,786 S 9/1993 Allendorph et al.
- D341,568 S 11/1993 Sorenson et al.
- D369,143 S 4/1996 Sorenson
- D378,585 S 3/1997 Duguid et al.
- D387,024 S 12/1997 Hellhake et al.
- D397,977 S 9/1998 Hellhake et al.



(56)

References Cited

U.S. PATENT DOCUMENTS

D410,608 S 6/1999 Kraus
 D419,936 S 2/2000 Sacco et al.
 D432,474 S 10/2000 Sacco et al.
 D434,425 S 11/2000 Rossow et al.
 6,274,826 B1 8/2001 Serizawa et al.
 D458,231 S 6/2002 Errato
 6,576,855 B2 6/2003 Levendis et al.
 D518,794 S 4/2006 Hedderich et al.
 D519,469 S 4/2006 Sorenson
 7,026,565 B1 4/2006 Lee
 D526,283 S 8/2006 Sorenson
 7,105,762 B1 9/2006 Lee
 D532,755 S 11/2006 Hori et al.
 7,170,021 B2 1/2007 Sorenson
 D536,650 S 2/2007 Young et al.
 7,208,693 B1 4/2007 Yu
 D543,558 S 5/2007 Dolesh et al.
 D562,265 S 2/2008 Winkler
 7,425,891 B2 9/2008 Colburn et al.
 7,576,293 B2 8/2009 Nagai et al.
 D608,265 S 1/2010 Collins et al.
 8,143,543 B2 3/2012 Naas
 D689,910 S 9/2013 Hanson et al.
 D727,272 S * 4/2015 Johnson D13/174
 D734,278 S * 7/2015 Johnson D13/174

2001/0019013 A1 9/2001 Weber et al.
 2007/0181414 A1 8/2007 Belanger
 2010/0126838 A1 5/2010 Lee
 2010/0258418 A1 10/2010 Yu
 2012/0118717 A1 5/2012 Hanson et al.
 2013/0327624 A1 12/2013 Volpato et al.

OTHER PUBLICATIONS

Carlingtech Catalog, V-Series Contura Sealed Rocker Switches, available at least as early as Jul. 2010 from www.carlingtech.com.
 Eaton switch covers (Figs. A and B), available as early as Jan. 1, 2005.
 Bennett Marine Brochure, EIC5000 Electronic Indicator Control Installation and Operation Instructions, available at least as early as Jul. 2010 from the www.bennetttrimtabs.com website.
 International Search Report and Written Opinion for related International Application No. PCT/US2011/60552; report dated Mar. 28, 2012.
 U.S. Appl. No. 29/520,277, filed Mar. 12, 2015, entitled "Rocker Switch Cover".
 U.S. Appl. No. 29/449,003, filed May 14, 2003, entitled "Rocker Switch Cover".
 U.S. Appl. No. 29/490,955, filed May 15, 2014, entitled "Rocker Switch Cover".

* cited by examiner

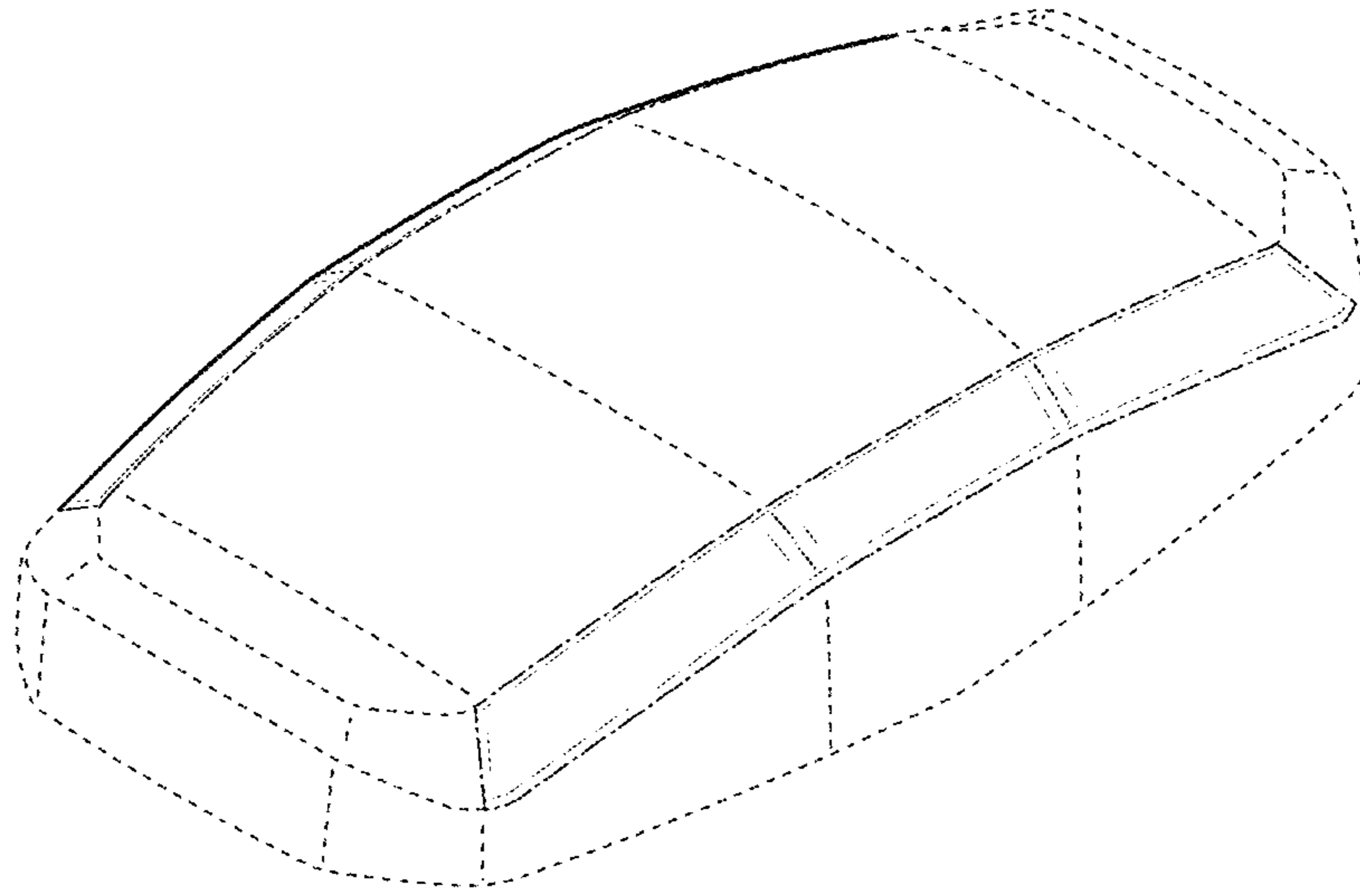


Fig. 1

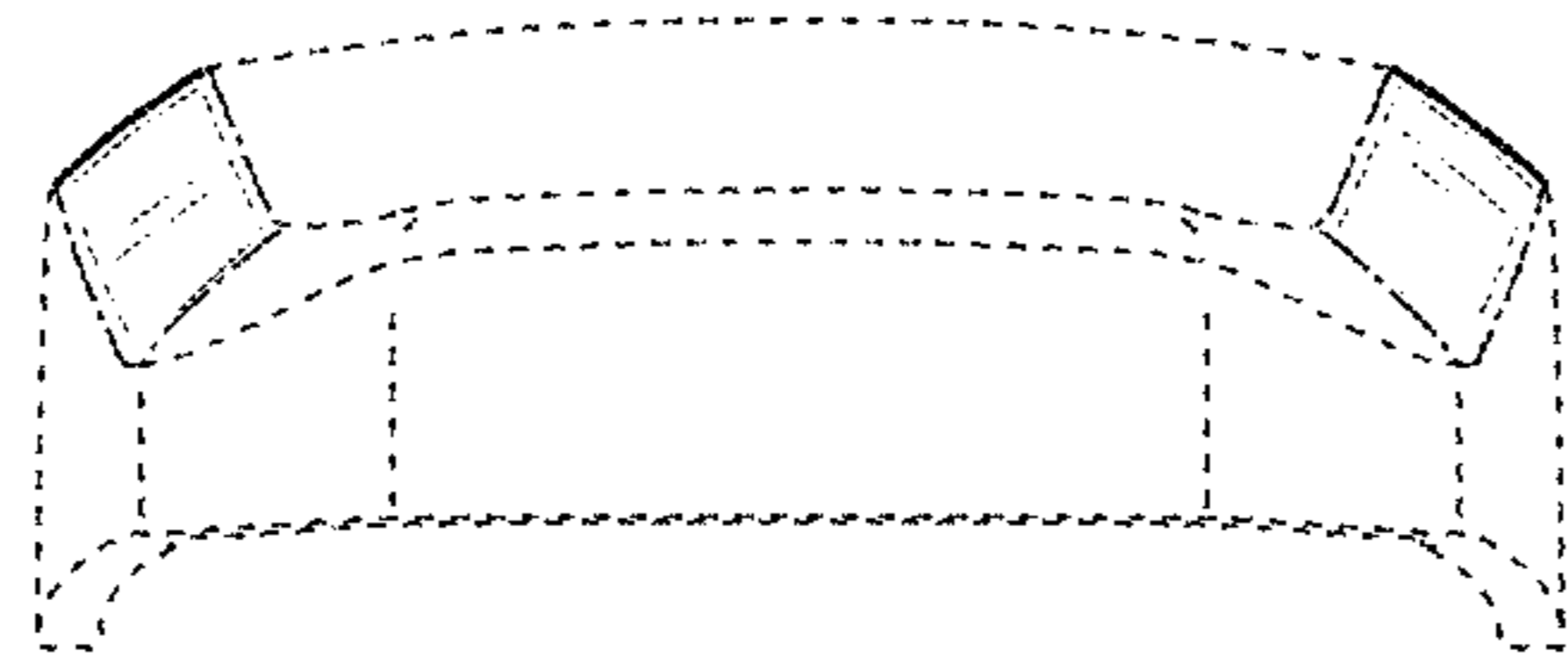


Fig. 2

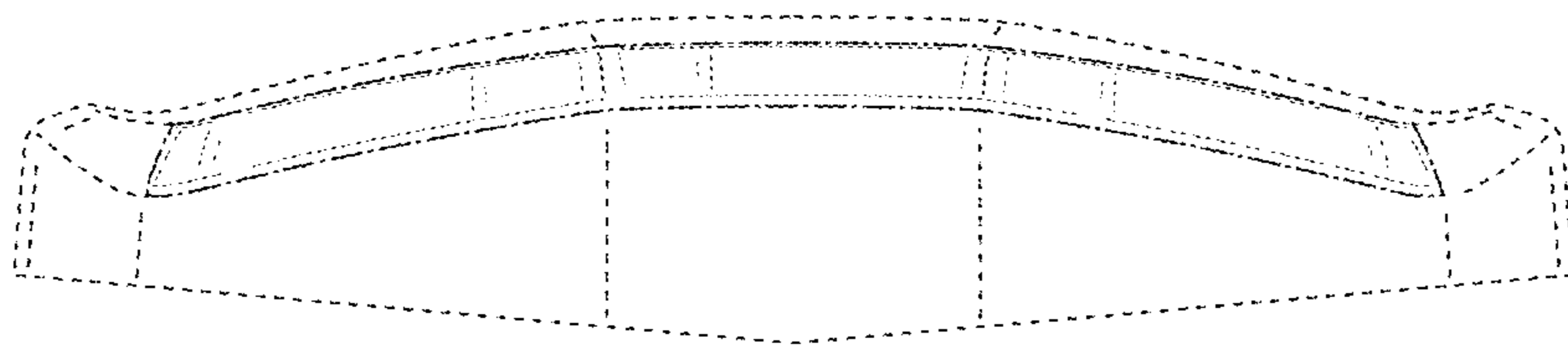


Fig. 3

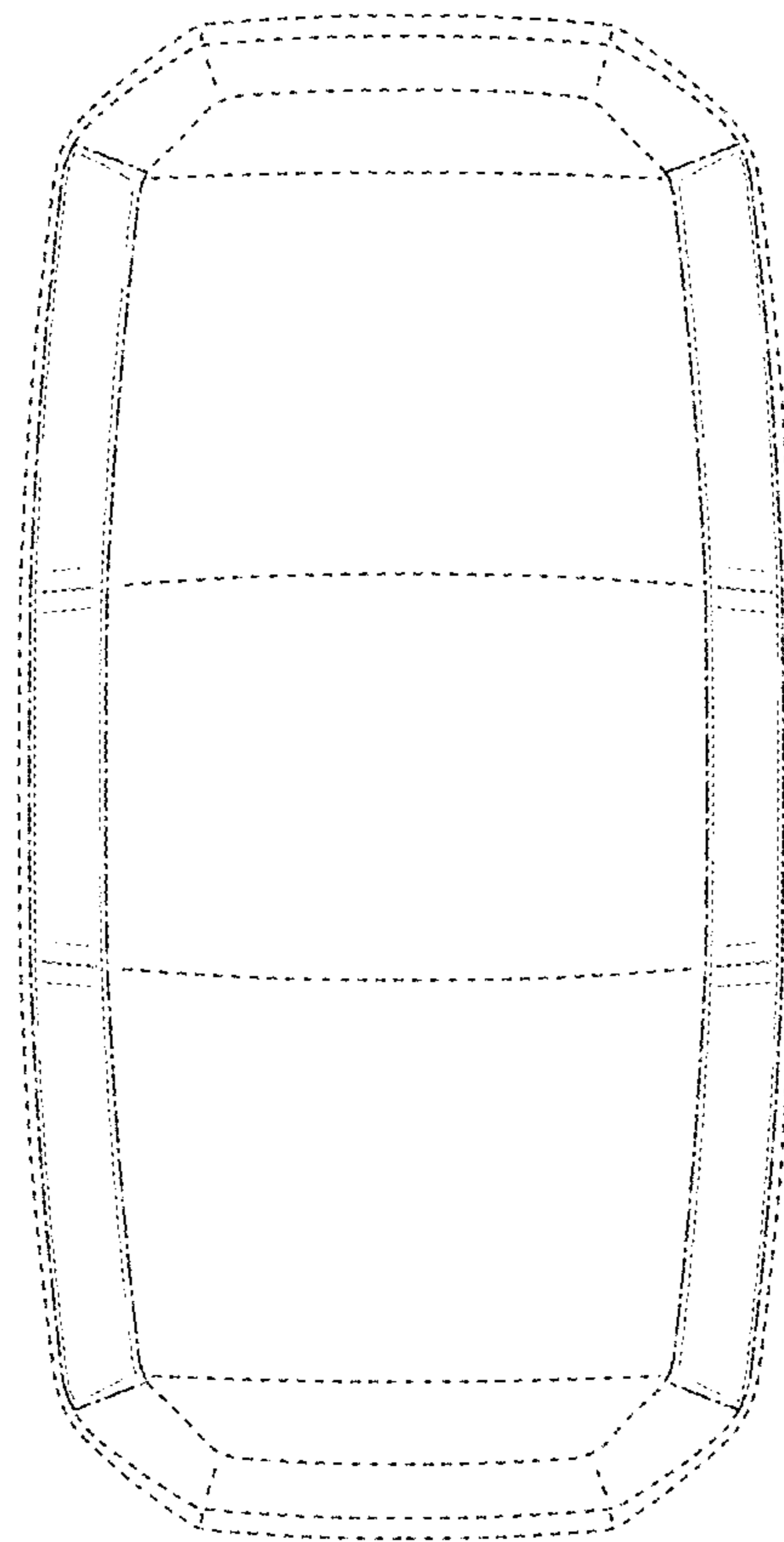


Fig. 4