



US00D772174S

(12) **United States Design Patent** (10) **Patent No.:** **US D772,174 S**
Spira (45) **Date of Patent:** **** *Nov. 22, 2016**

(54) **TABLETOP REMOTE LOAD CONTROL DEVICE**

(71) Applicant: **Lutron Electronics Co., Inc.**,
Coopersburg, PA (US)

(72) Inventor: **Joel S. Spira**, Coopersburg, PA (US)

(73) Assignee: **Lutron Electronics Co., Inc.**,
Coopersburg, PA (US)

(*) Notice: This patent is subject to a terminal disclaimer.

(**) Term: **15 Years**

(21) Appl. No.: **29/534,799**

(22) Filed: **Jul. 31, 2015**

Related U.S. Application Data

(62) Division of application No. 29/488,263, filed on Apr. 17, 2014, now Pat. No. Des. 737,224.

(51) **LOC (10) Cl.** **14-03**

(52) **U.S. Cl.**
USPC **D13/168**

(58) **Field of Classification Search**

USPC D13/164, 168, 174; D14/218
CPC H03J 1/0025; H03J 9/00; H03J 9/02;
H03J 9/04; H03J 9/06; H01H 9/18; H01H
9/0235; H04B 1/202; H05B 33/0803; H05B
33/0863; H05B 37/02; H05B 37/0272;
H05B 39/088; H05B 39/041; G05B 11/01;
G05B 2219/2642; G08C 17/00; G08C 17/02;
G08C 19/28; G08C 23/04; G08C 2201/20;
G08C 2201/30; G08C 2201/33; G08C
2201/40; G08C 2201/91; G08C 2201/92
See application file for complete search history.

(56) **References Cited**

U.S. PATENT DOCUMENTS

D592,608 S 5/2009 Felegy et al.
D614,146 S 4/2010 Felegy, Jr. et al.

(Continued)

OTHER PUBLICATIONS

U.S. Appl. No. 29/535,122, filed Aug. 4, 2015, Altonen et al.

(Continued)

Primary Examiner — Selina Sikder

(74) *Attorney, Agent, or Firm* — Mark E. Rose; Philip N. Smith

(57) **CLAIM**

I claim the ornamental design for a tabletop remote load control device, as shown and described.

DESCRIPTION

FIG. 1 is a perspective view of a tabletop remote load control device according to a first embodiment of my new design. FIG. 2 is a front view thereof.

FIG. 3 is a left side view thereof.

FIG. 4 is a right side view thereof.

FIG. 5 is a top view thereof.

FIG. 6 is a bottom view thereof.

FIG. 7 is a perspective view of a tabletop remote load control device according to a second embodiment of my new design. FIG. 8 is a front view thereof.

FIG. 9 is a bottom view thereof, the left side, right side, and top views, respectively, of the second embodiment being identical to the left side, right side, and top views of the first embodiment.

FIG. 10 is a perspective view of a tabletop remote load control device showing an alternate environment of the first embodiment.

FIG. 11 is a front view thereof.

FIG. 12 is a bottom view thereof, all other views being identical to the first embodiment.

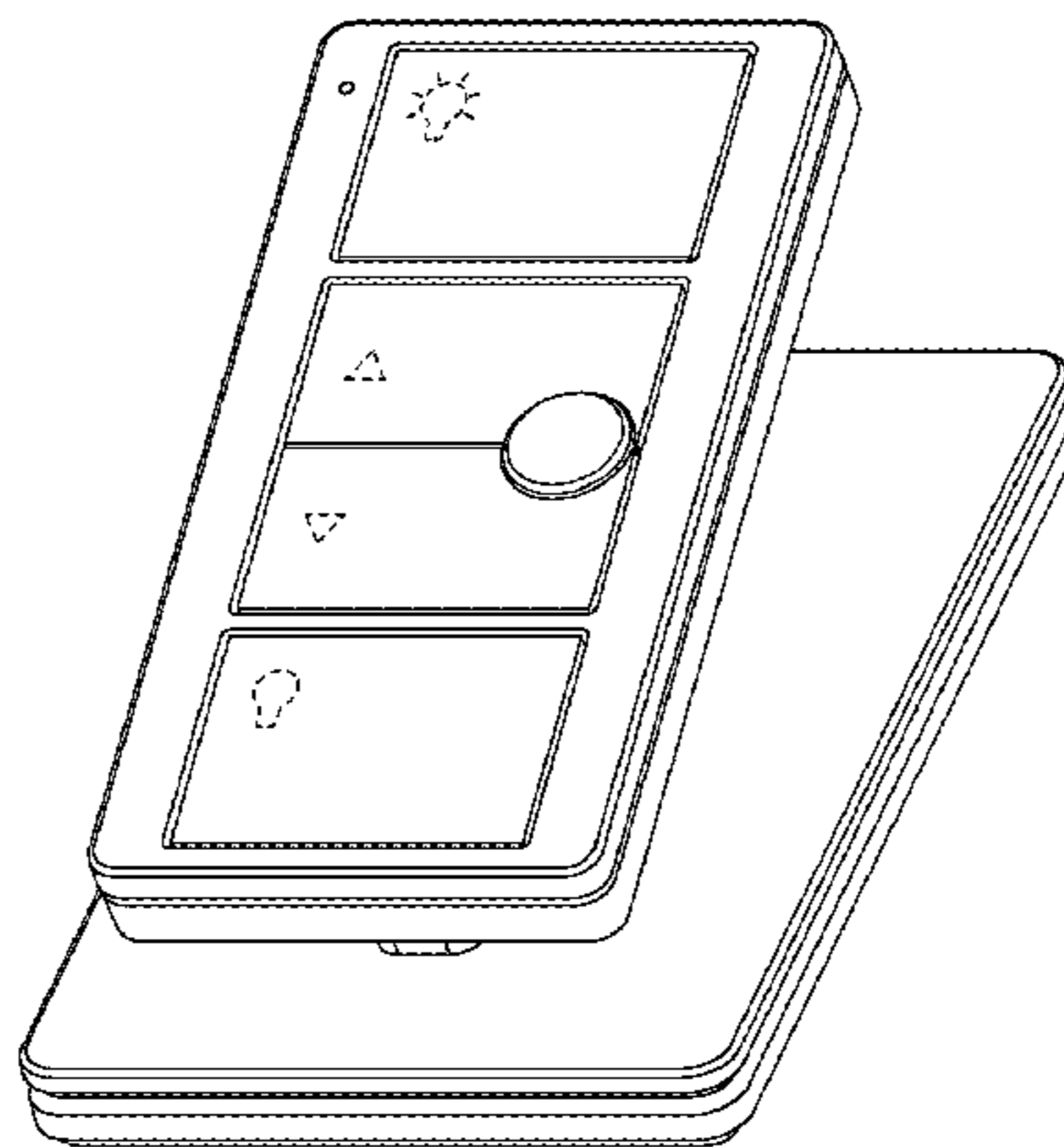
FIG. 13 is a perspective view of a tabletop remote load control device showing an alternate environment of the second embodiment.

FIG. 14 is a front view thereof; and,

FIG. 15 is a bottom view thereof, all other views being identical to the second embodiment.

The rear views form no part of the design and are omitted. The broken lines showing portions of the tabletop remote load control device are for the purpose of illustrating environmental structure and form no part of the claimed design.

1 Claim, 13 Drawing Sheets



(56)

References Cited

U.S. PATENT DOCUMENTS

D614,147 S 4/2010 Snyder et al.
 D615,046 S 5/2010 Felegy et al.
 D616,836 S 6/2010 Felegy et al.
 D619,105 S 7/2010 Felegy, Jr. et al.
 D619,544 S 7/2010 Petrillo et al.
 D619,972 S 7/2010 Felegy et al.
 D625,274 S 10/2010 Felegy et al.
 D626,092 S 10/2010 Clymer et al.
 D627,308 S 11/2010 Snyder et al.
 D631,850 S 2/2011 Jacoby et al.
 D631,852 S 2/2011 Clymer et al.
 D631,855 S 2/2011 Blair et al.
 D640,209 S 6/2011 Felegy, Jr. et al.
 D661,664 S 6/2012 Felegy, Jr. et al.
 D684,543 S 6/2013 Felegy et al.
 D703,623 S 4/2014 Altonen et al.
 D704,152 S 5/2014 Altonen et al.
 D704,153 S 5/2014 Altonen et al.
 D711,838 S 8/2014 Spira
 D713,360 S 9/2014 Spira
 D713,361 S * 9/2014 Spira D13/168
 D733,668 S 7/2015 Altonen et al.
 D736,718 S 8/2015 Spira
 D737,222 S 8/2015 Altonen et al.
 D737,223 S 8/2015 Altonen et al.
 D737,224 S * 8/2015 Spira D13/168
 D738,320 S * 9/2015 Altonen D13/168

D738,321 S 9/2015 Spira
 D738,328 S 9/2015 Altonen et al.
 D739,830 S 9/2015 Spira
 2008/0111491 A1 5/2008 Spira
 2009/0251352 A1 10/2009 Altonen et al.
 2011/0266122 A1 11/2011 Zaharchuk et al.
 2012/0286940 A1 11/2012 Carmen et al.
 2013/0141009 A1 6/2013 Jin et al.
 2013/0328500 A1 12/2013 Toda
 2013/0334969 A1 12/2013 Ishikita

OTHER PUBLICATIONS

U.S. Appl. No. 29/535,125, filed Aug. 4, 2015, Altonen et al.
 U.S. Appl. No. 29/534,801, filed Jul. 31, 2015, Altonen et al.
 U.S. Appl. No. 29/534,802, filed Jul. 31, 2015, Altonen et al.
 U.S. Appl. No. 29/534,805, filed Jul. 31, 2015, Altonen et al.
 U.S. Appl. No. 29/535,100, filed Aug. 4, 2015, Altonen et al.
 U.S. Appl. No. 29/533,927, filed Jul. 23, 2015, Altonen et al.
 U.S. Appl. No. 29/533,935, filed Jul. 23, 2015, Altonen et al.
 U.S. Appl. No. 29/533,925, filed Jul. 23, 2015, Altonen et al.
 U.S. Appl. No. 29/531,858, filed Jun. 30, 2015, Altonen et al.
 U.S. Appl. No. 29/531,864, filed Jun. 30, 2015, Altonen et al.
 U.S. Appl. No. 29/531,853, filed Jun. 30, 2015, Altonen et al.
 U.S. Appl. No. 29/536,541, filed Aug. 18, 2015, Joel S. Spira.
 U.S. Appl. No. 29/531,871, filed Jun. 30, 2015, Joel S. Spira.
 U.S. Appl. No. 29/537,592, filed Aug. 27, 2015, Joel S. Spira.

* cited by examiner

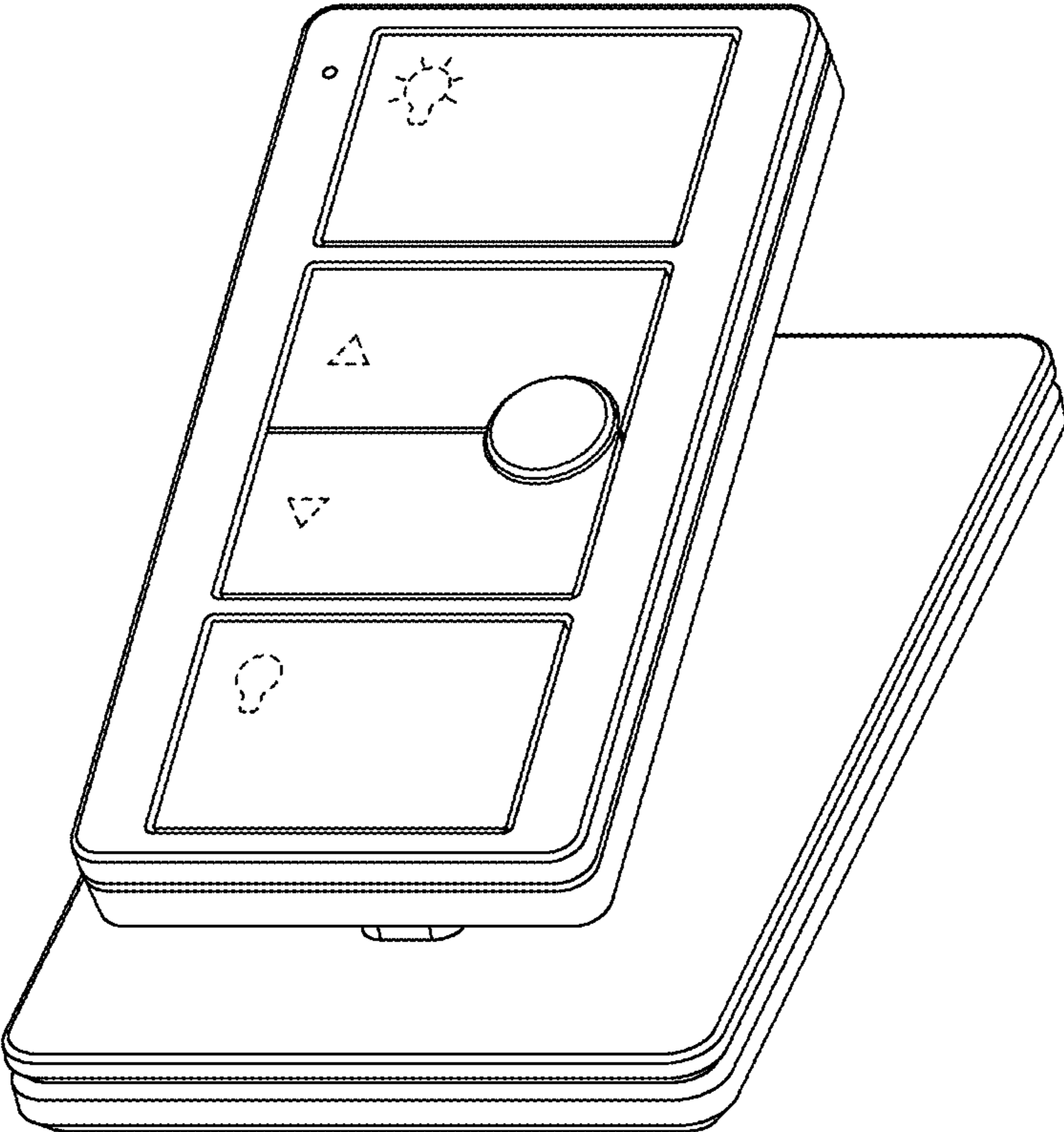


Fig. 1

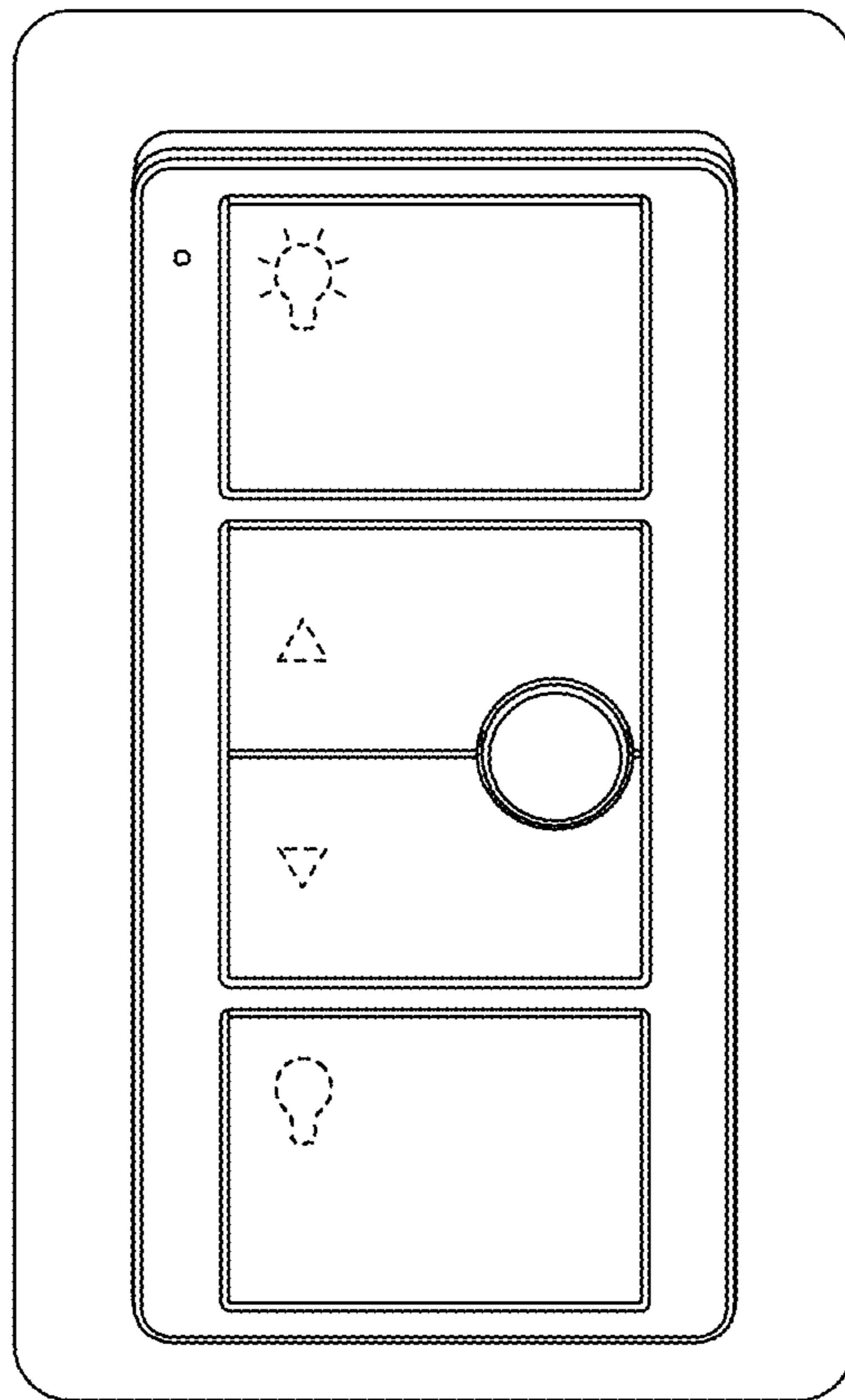


Fig. 2

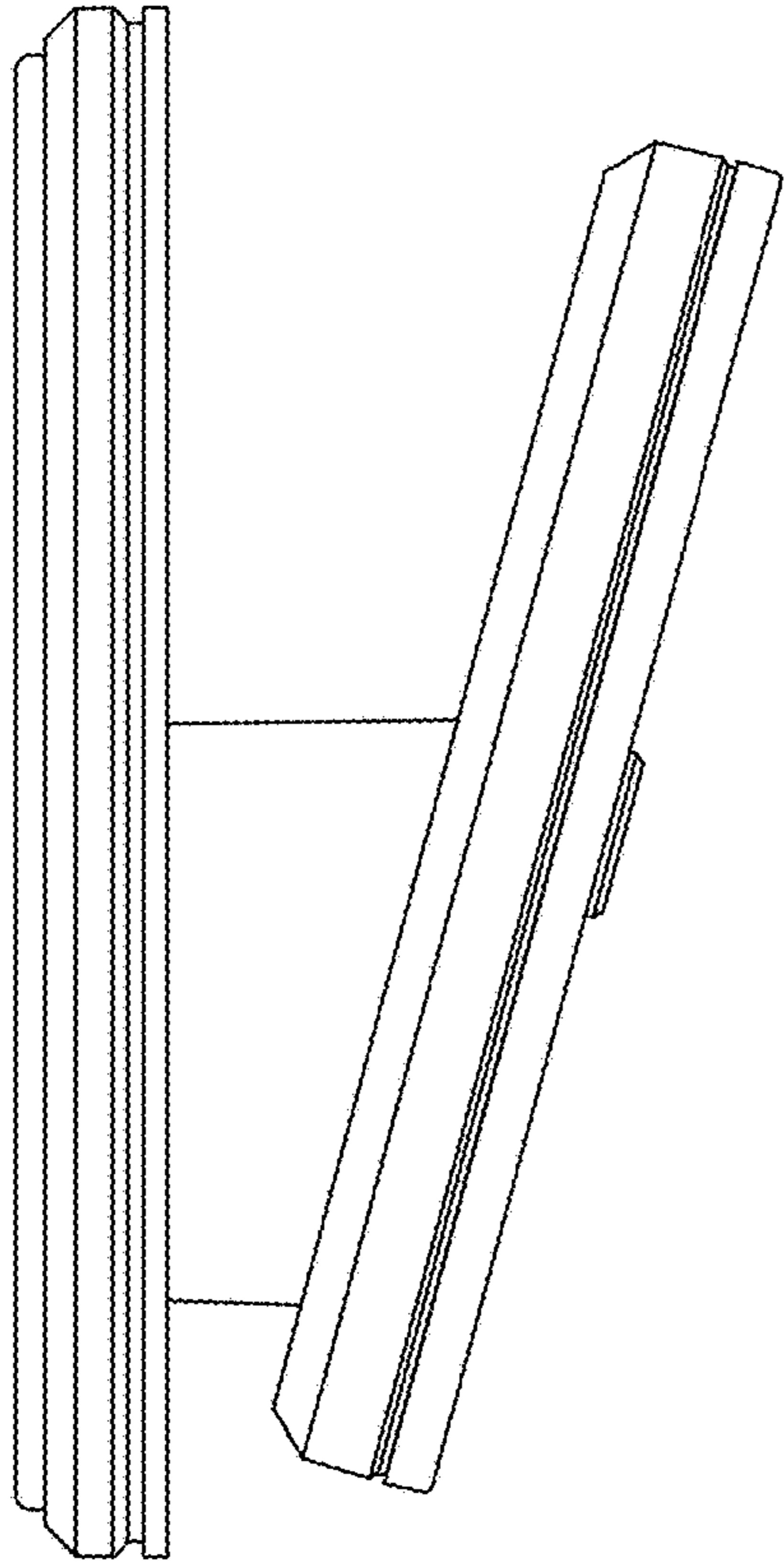


Fig. 3

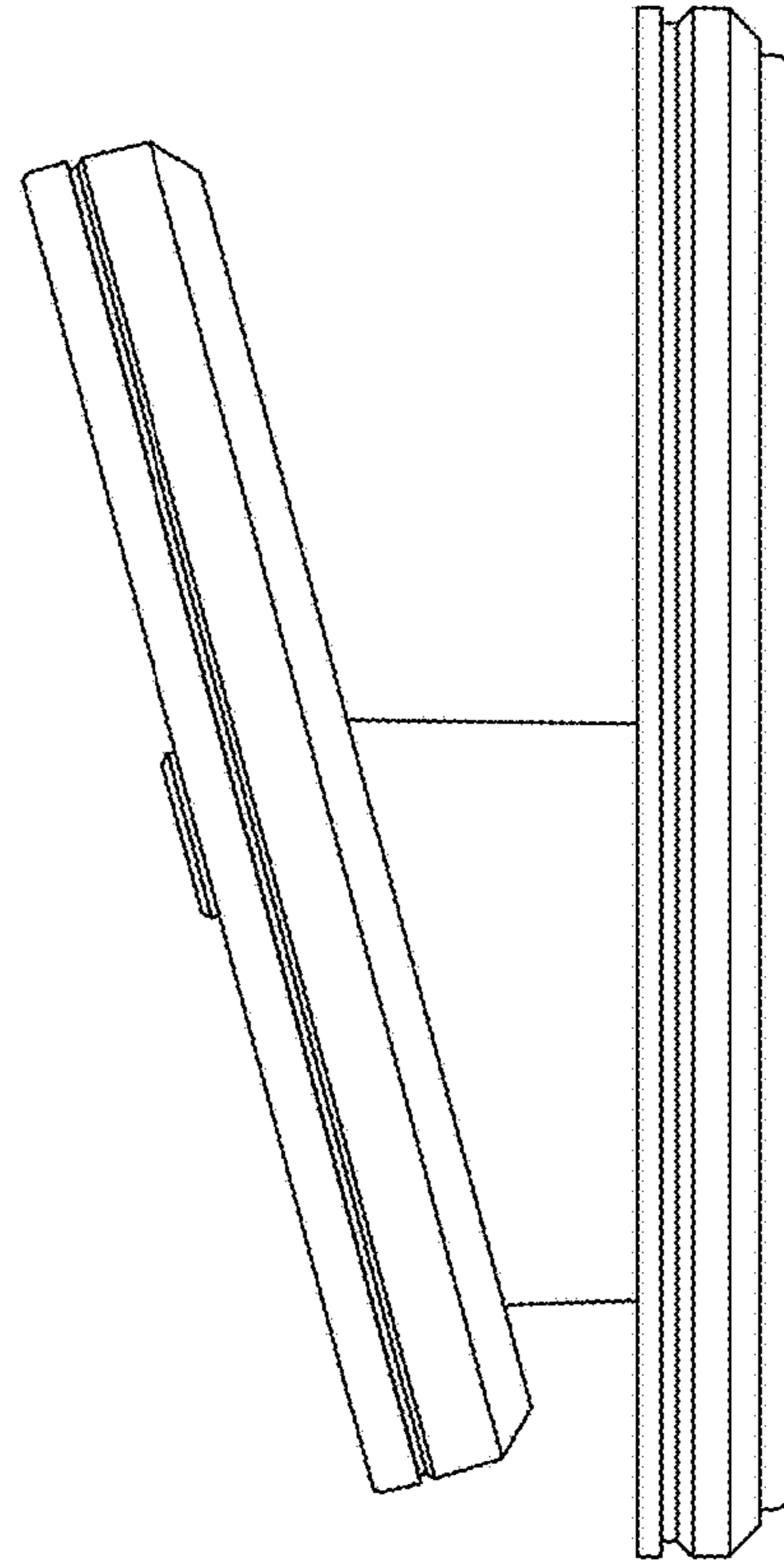


Fig. 4

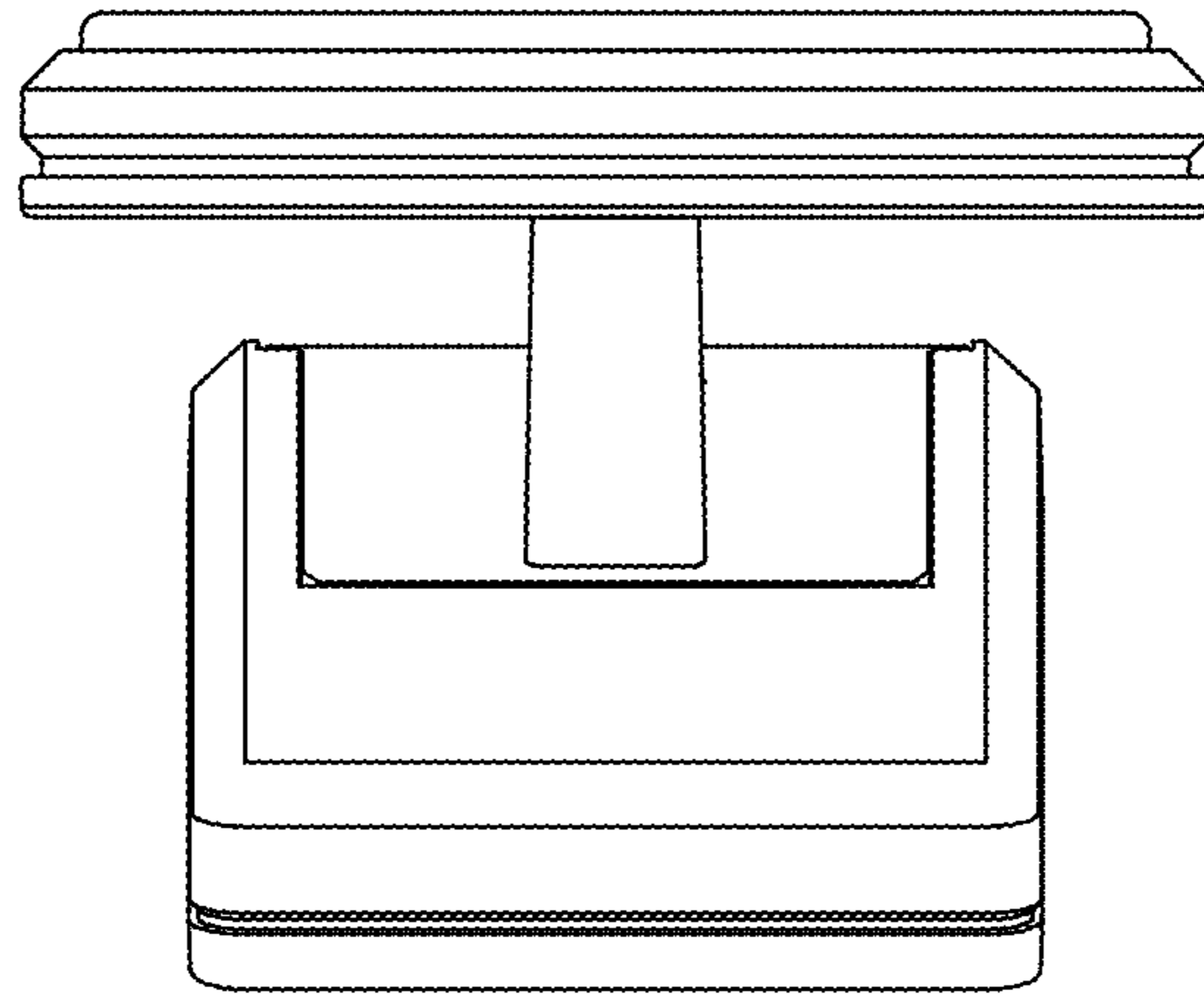


Fig. 5

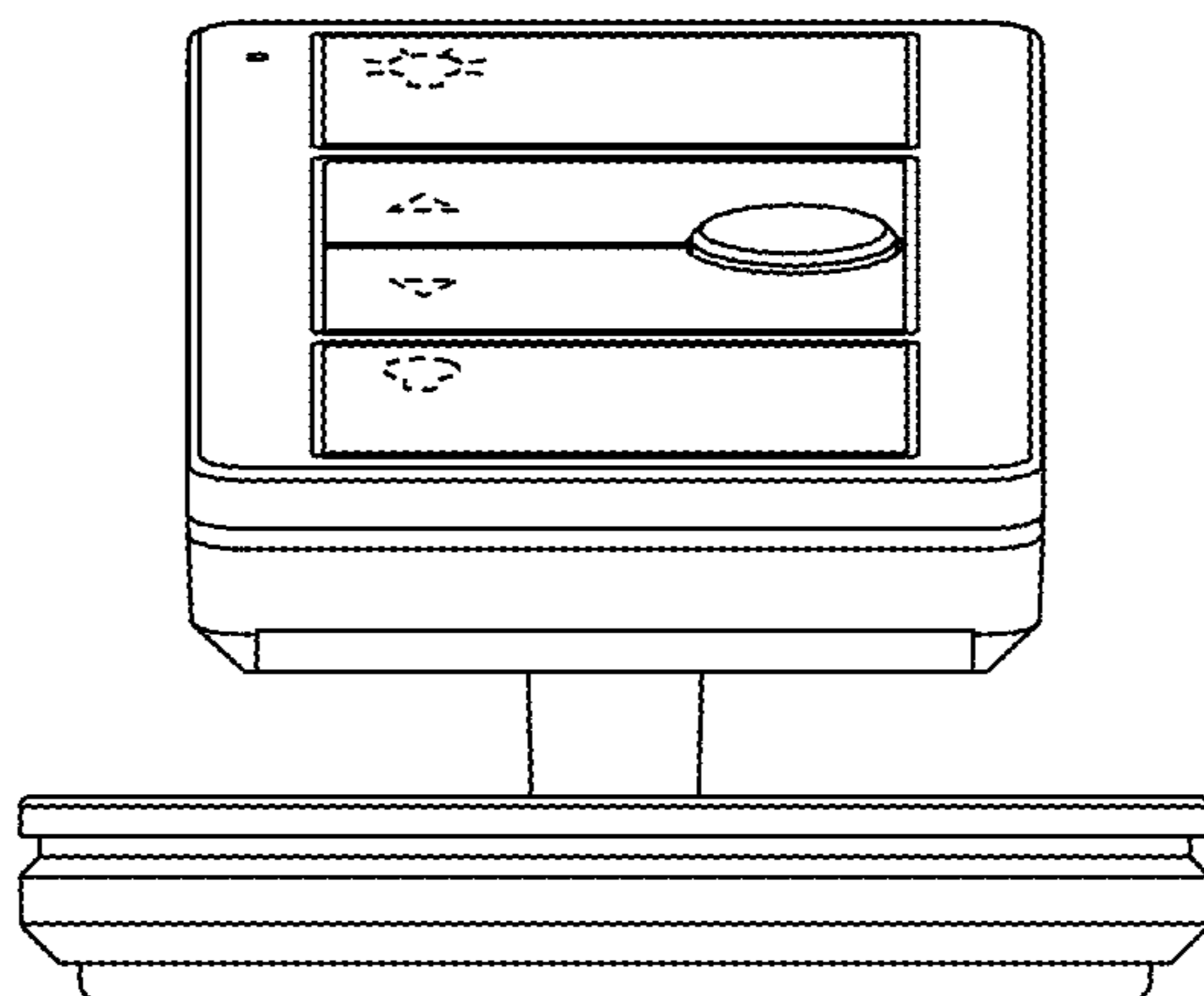


Fig. 6

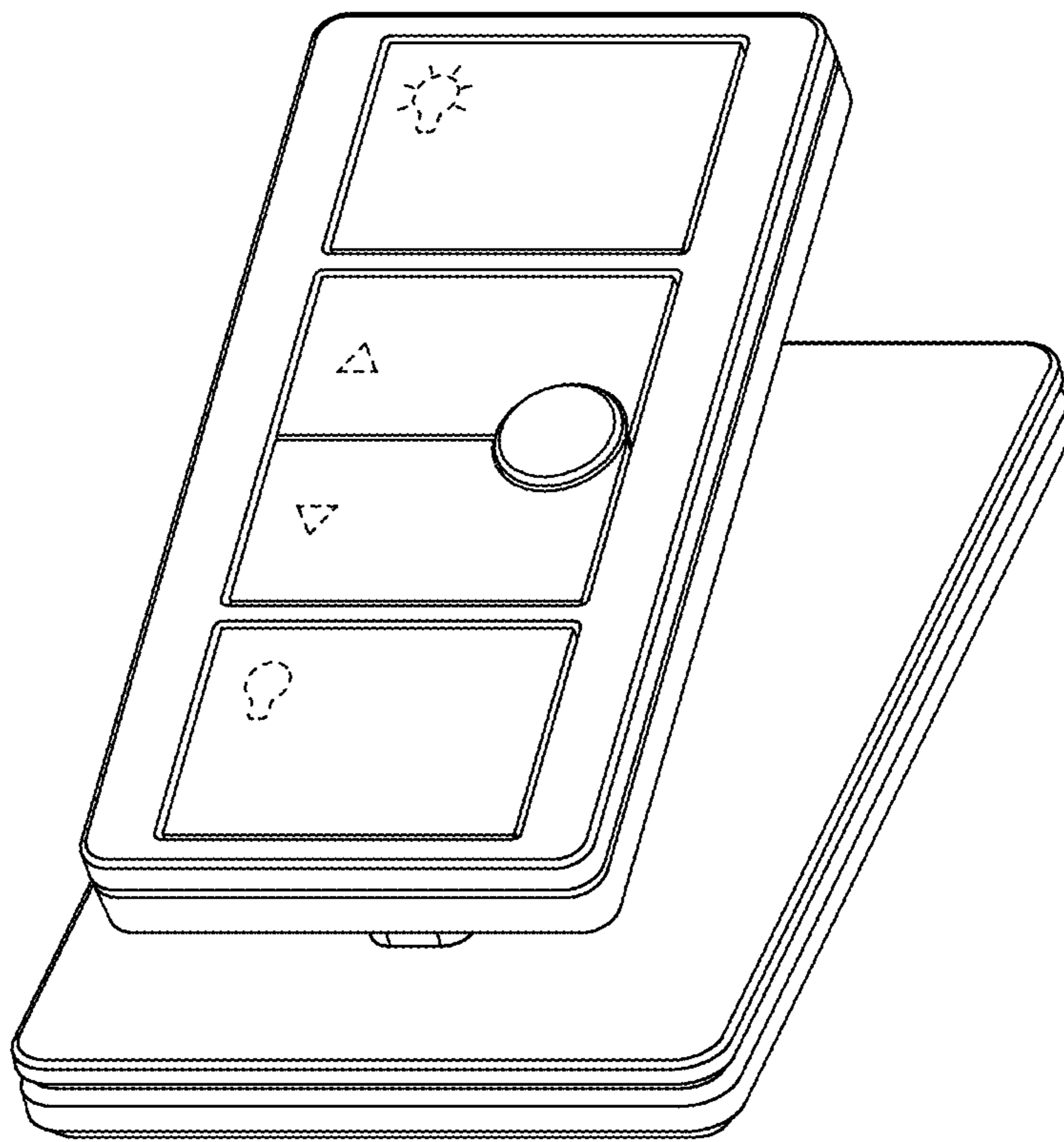


Fig. 7

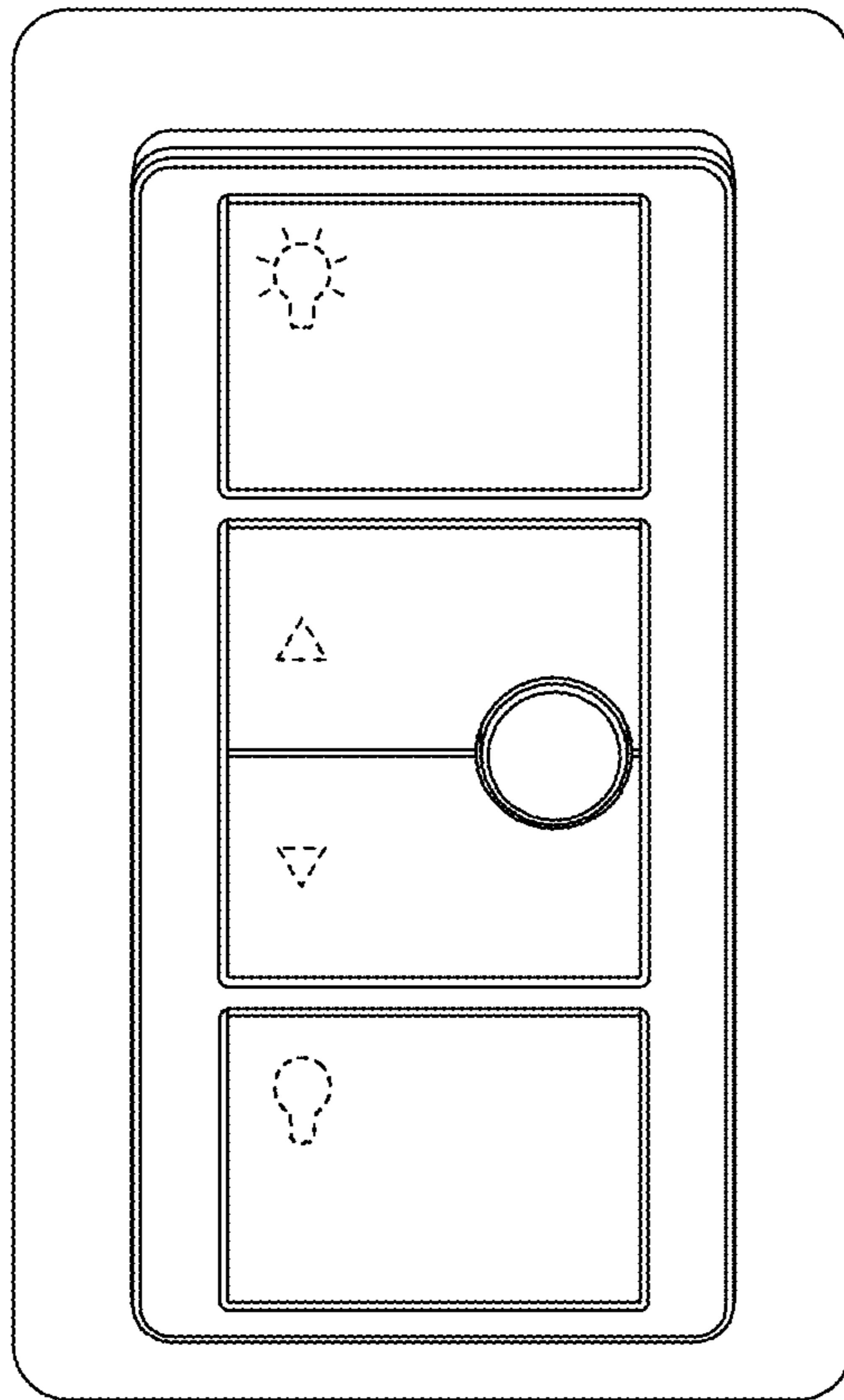


Fig. 8

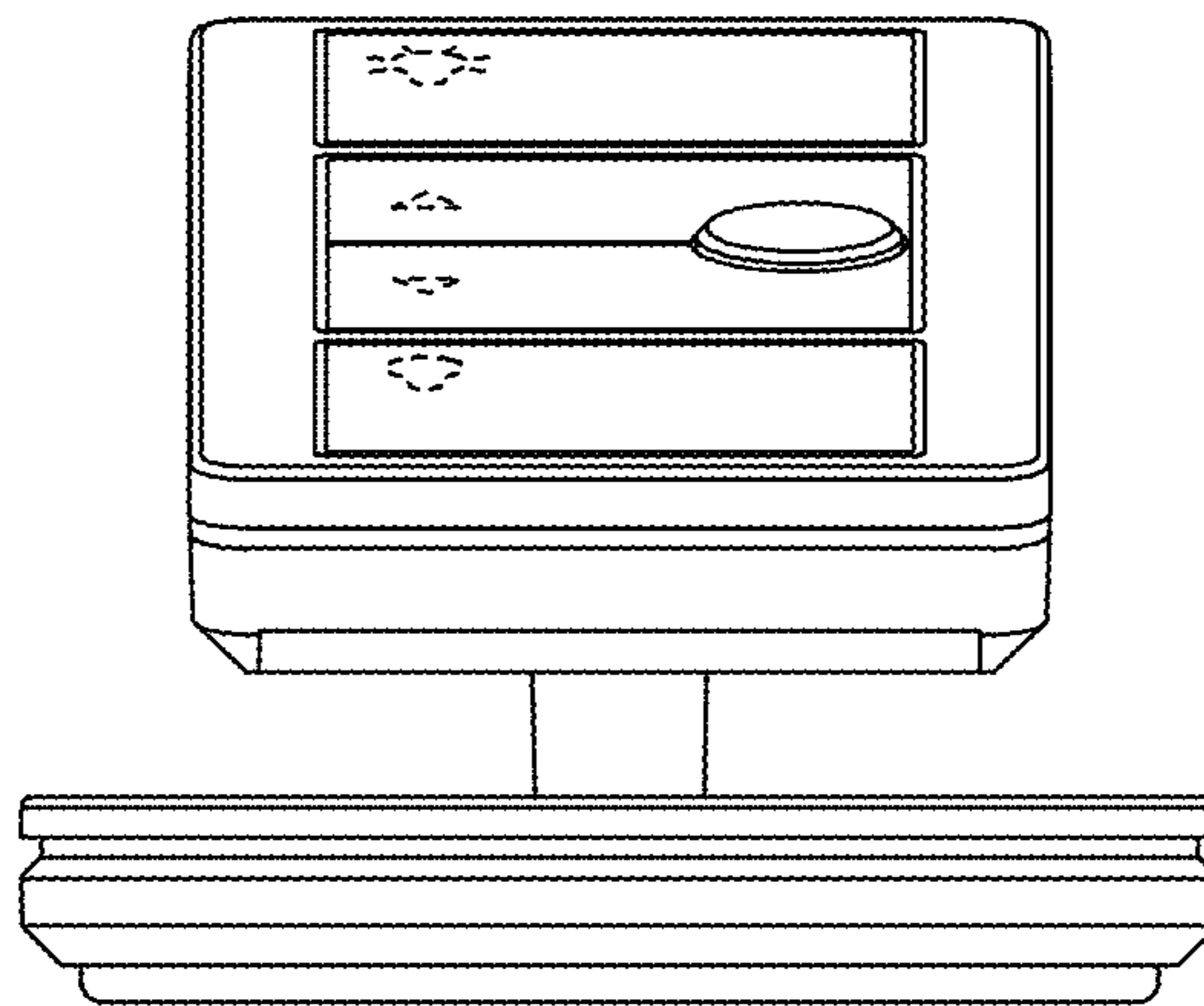


Fig. 9

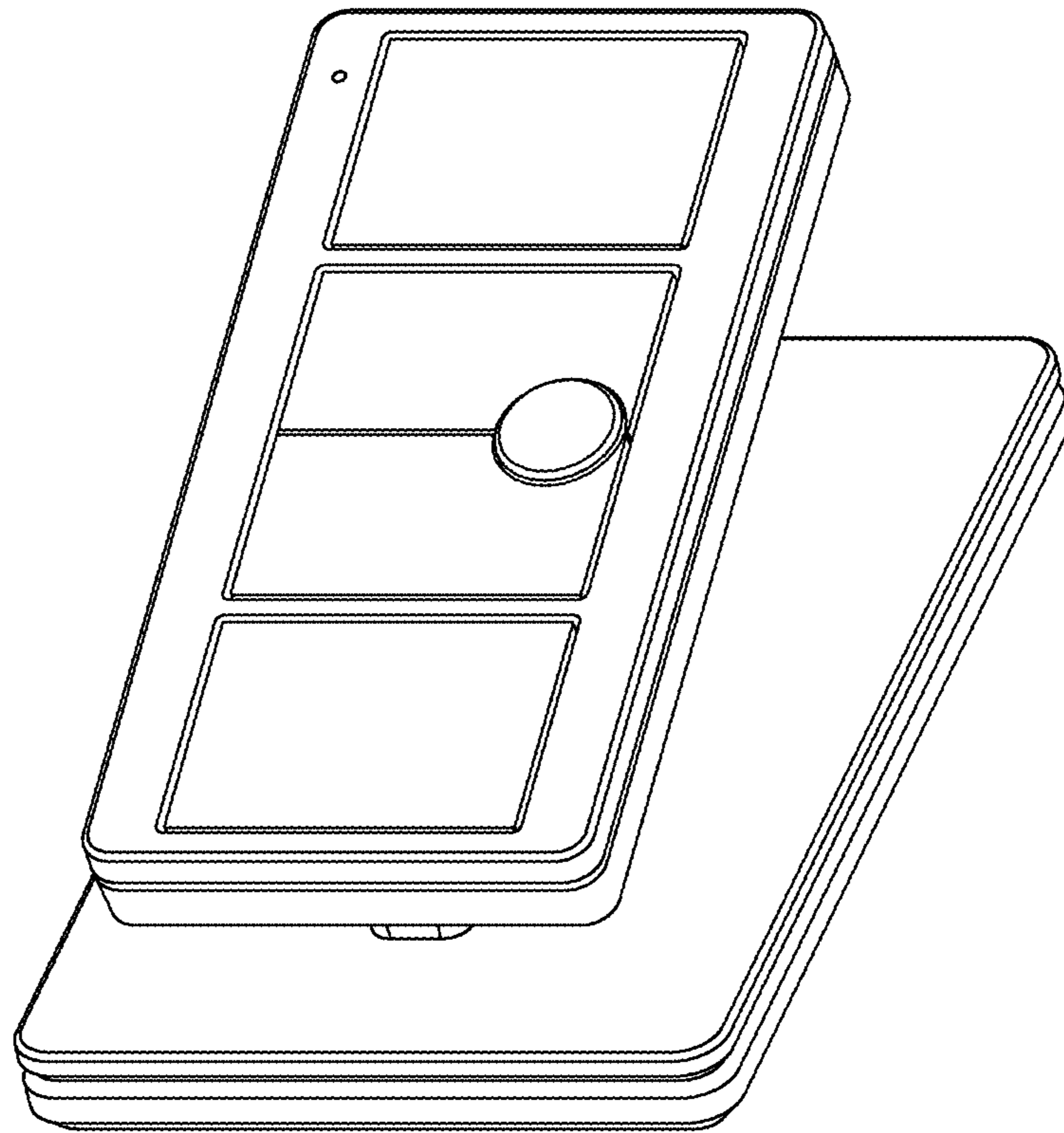


Fig. 10

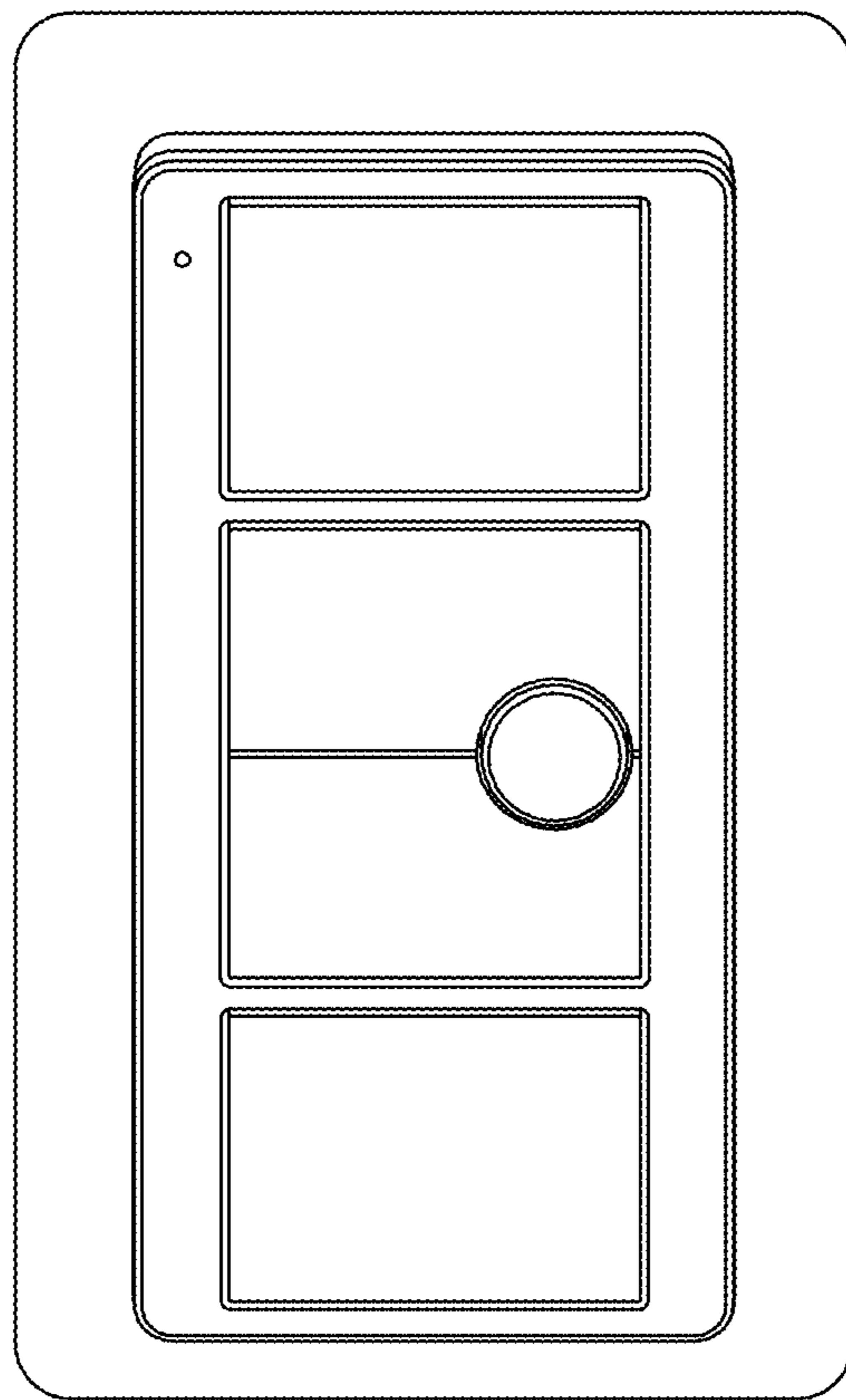


Fig. 11

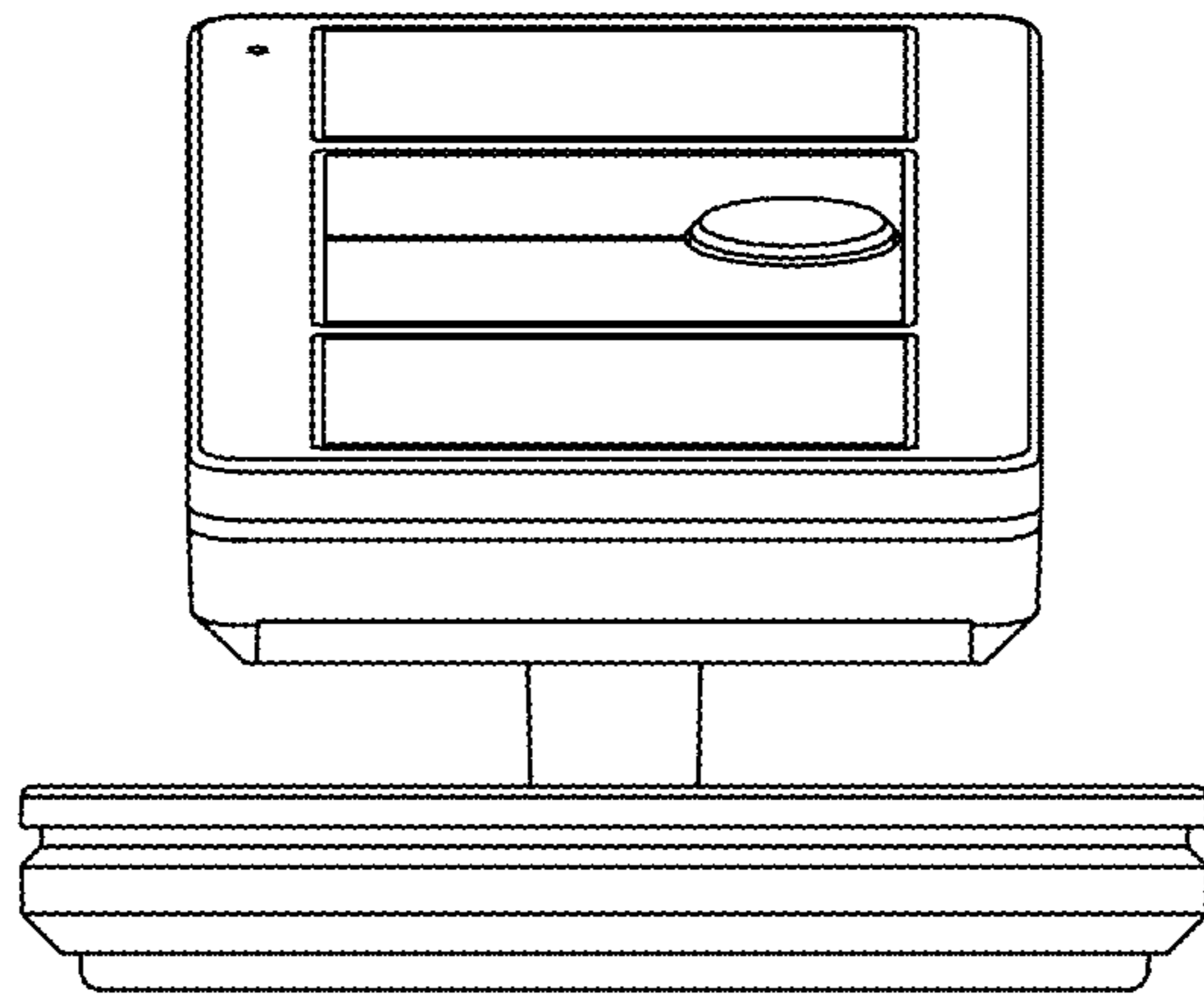


Fig. 12

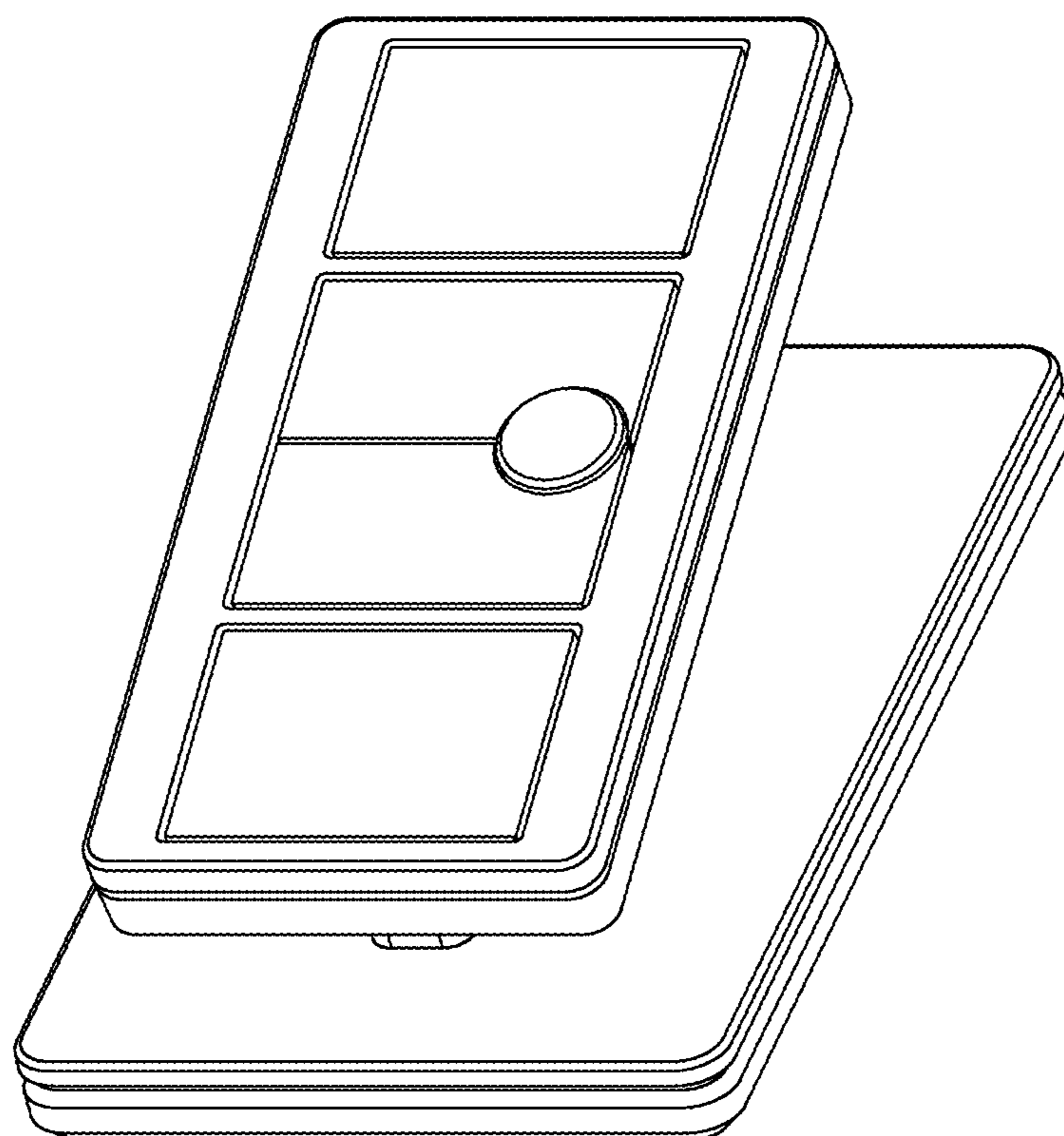


Fig. 13

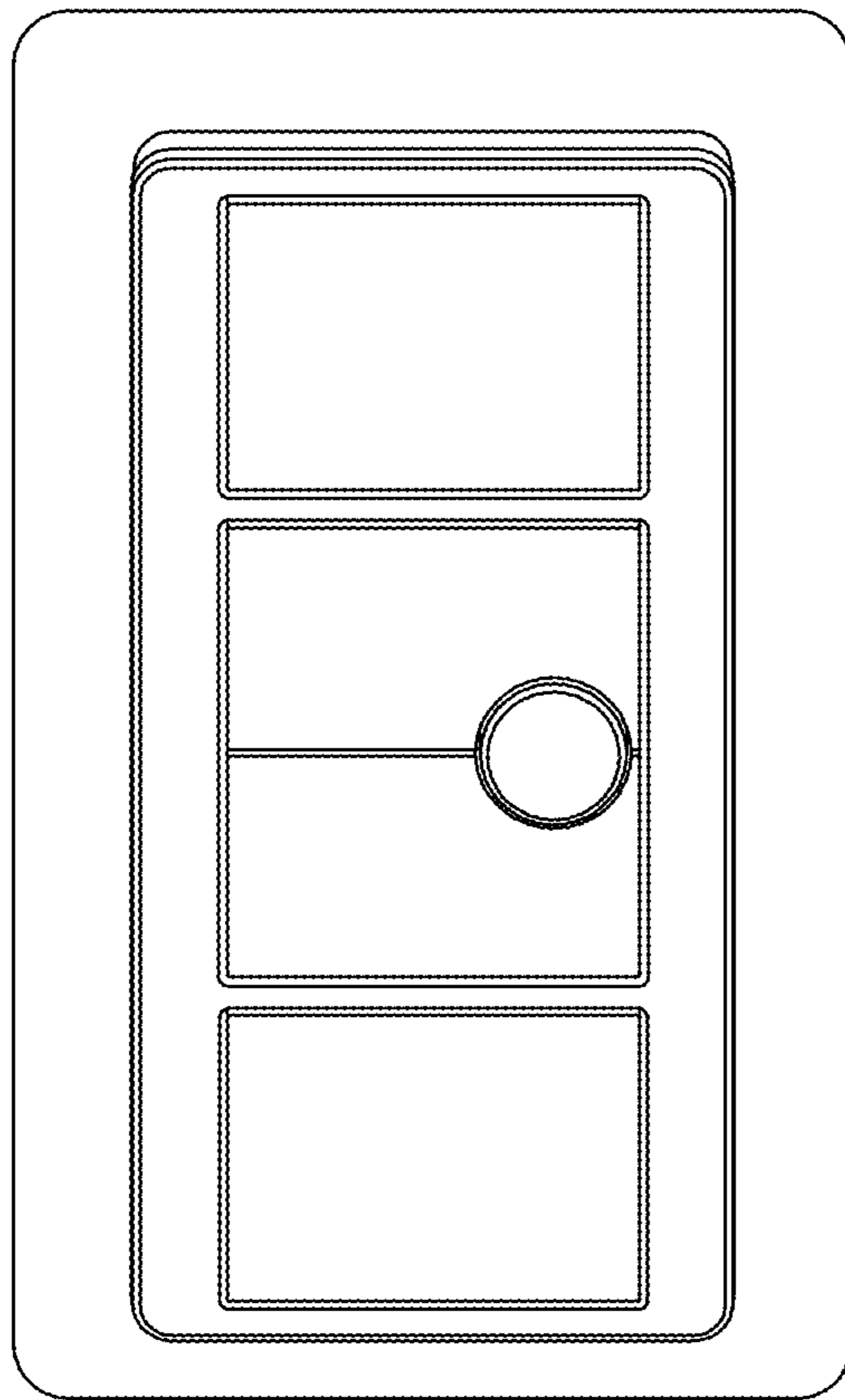


Fig. 14

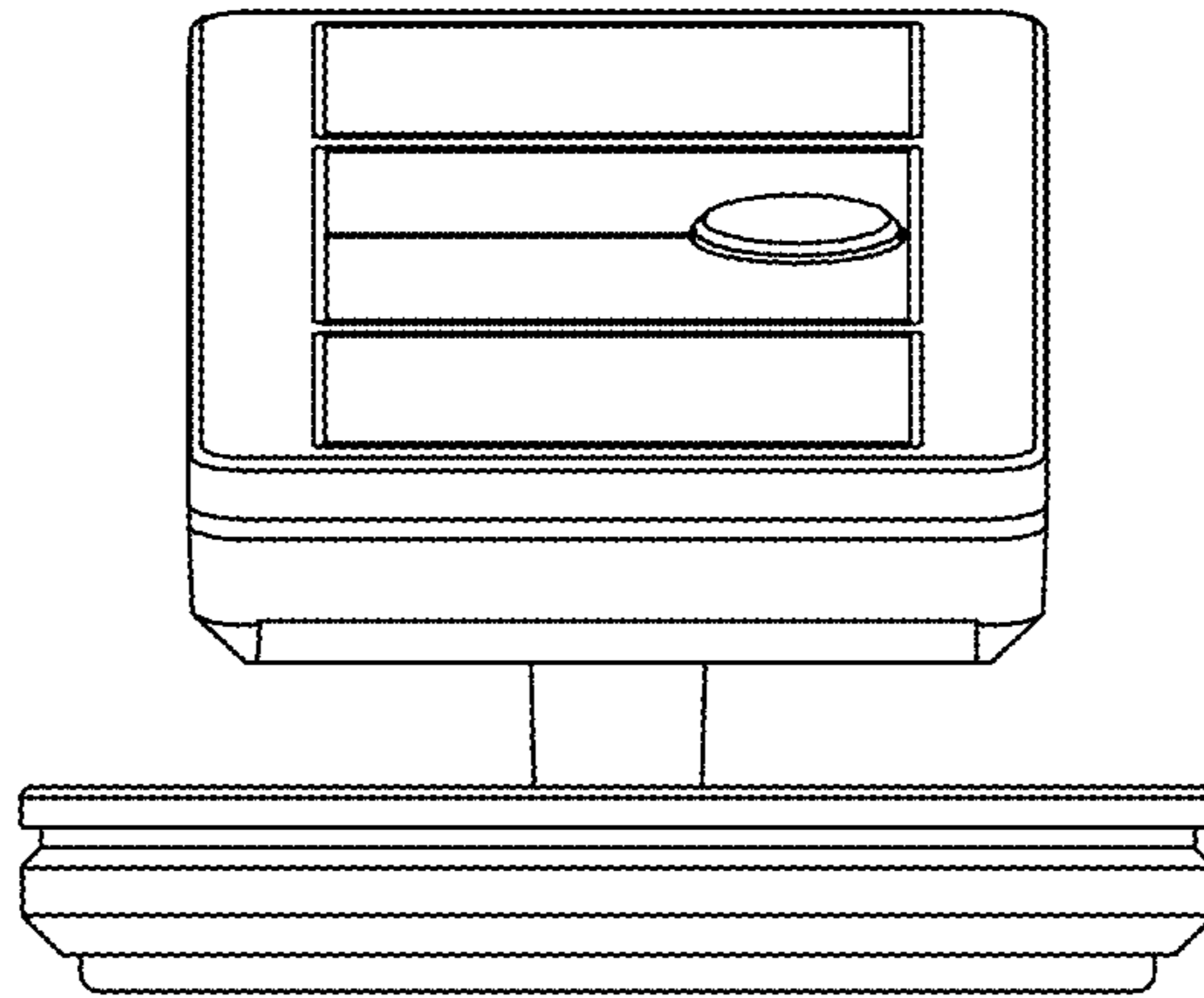


Fig. 15