

US00D772171S

(12) **United States Design Patent**
Ohmori et al.

(10) **Patent No.:** **US D772,171 S**

(45) **Date of Patent:** **** Nov. 22, 2016**

(54) **PRESSURE SWITCH**

(71) Applicant: **SMC CORPORATION**, Tokyo (JP)

(72) Inventors: **Takashi Ohmori**, Abiko (JP); **Yuta Oshima**, Moriya (JP); **Ryosuke Takeuchi**, Funabashi (JP)

(73) Assignee: **SMC CORPORATION**, Tokyo (JP)

(**) Term: **15 Years**

(21) Appl. No.: **29/535,725**

(22) Filed: **Aug. 10, 2015**

(30) **Foreign Application Priority Data**

Mar. 13, 2015 (CN) 2015 3 0060794

(51) **LOC (10) Cl.** **13-03**

(52) **U.S. Cl.**
USPC **D13/158; D13/171**

(58) **Field of Classification Search**
USPC D13/158, 162, 164, 171; D10/85
CPC G01L 19/003; G01L 19/08; G01L 19/14;
H01H 35/2607; H01H 35/36
See application file for complete search history.

(56) **References Cited**

U.S. PATENT DOCUMENTS

- 6,119,524 A * 9/2000 Kobold G01L 19/08
73/724
- D437,295 S * 2/2001 Gunji D13/158
- D456,290 S * 4/2002 Gunji et al.
- D497,145 S * 10/2004 Seo D13/158
- 7,071,832 B2 * 7/2006 Miyamoto G01L 19/14
340/626
- 7,186,934 B2 * 3/2007 Nakajima H01H 35/2607
200/81 R

- D557,215 S 12/2007 Kurisaki et al.
- D559,195 S * 1/2008 Tamaoki D13/158
- D568,255 S 5/2008 Kurisaki et al.
- 7,663,496 B2 * 2/2010 Kawakami G01L 19/003
200/81 R
- D669,039 S 10/2012 Gunji et al.

* cited by examiner

Primary Examiner — Selina Sikder

(74) *Attorney, Agent, or Firm* — Birch, Stewart, Kolasch & Birch, LLP

(57) **CLAIM**

The ornamental design for a pressure switch, as shown.

DESCRIPTION

FIG. 1 is a front, top and right side perspective view of a pressure switch showing a first embodiment of our design; FIG. 2 is a rear, bottom and left side perspective view thereof; FIG. 3 is a front view thereof; FIG. 4 is a rear view thereof; FIG. 5 is a top plan view thereof; FIG. 6 is a bottom plan view thereof; FIG. 7 is a left side view thereof; FIG. 8 is a right side view thereof; FIG. 9 is a front, top and right side perspective view of a pressure switch showing a second embodiment of our design; FIG. 10 is a rear, bottom and left side perspective view thereof; FIG. 11 is a front view thereof; FIG. 12 is a rear view thereof; FIG. 13 is a top plan view thereof; FIG. 14 is a bottom plan view thereof; FIG. 15 is a left side view thereof; and, FIG. 16 is a right side view thereof.

1 Claim, 16 Drawing Sheets

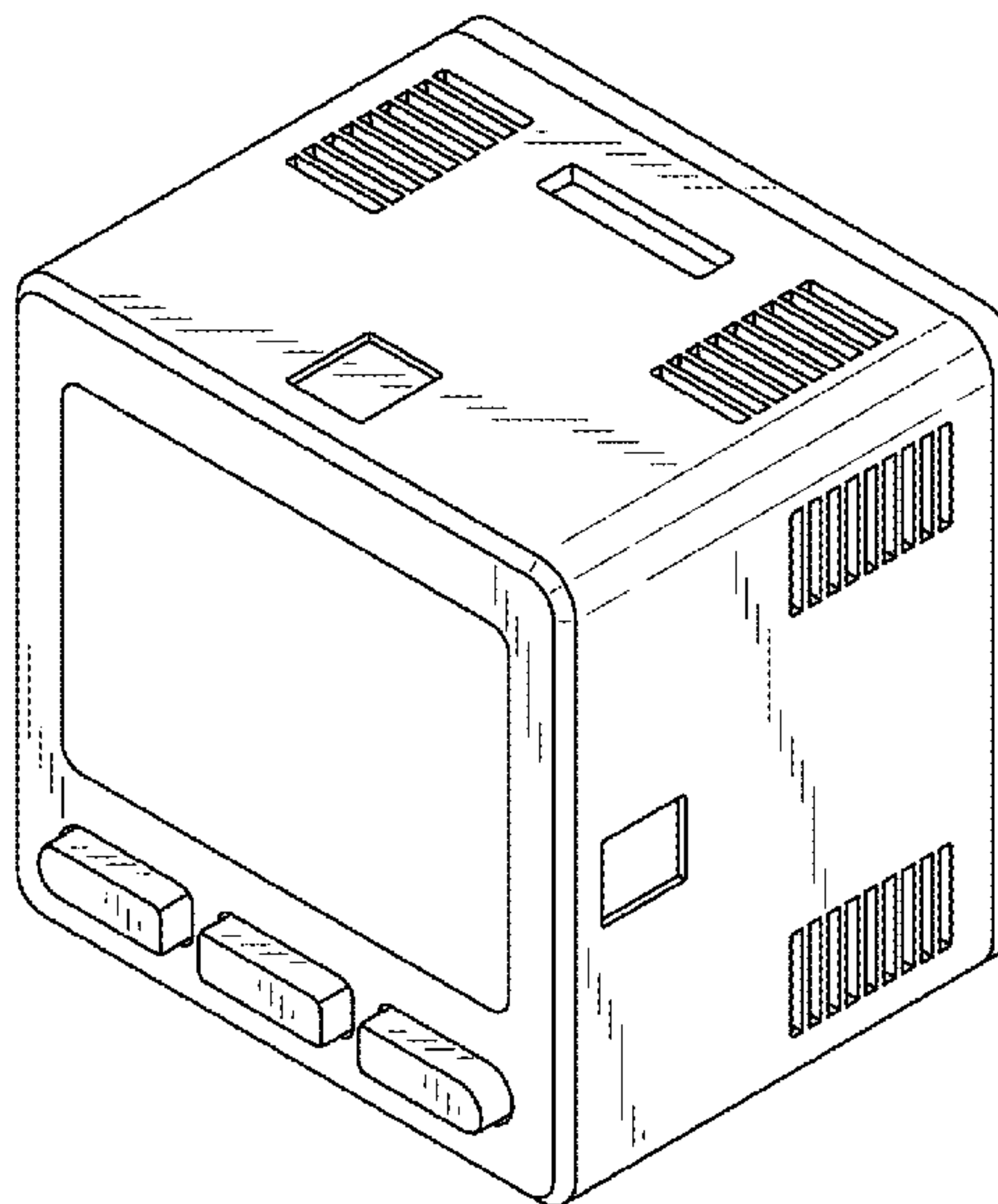
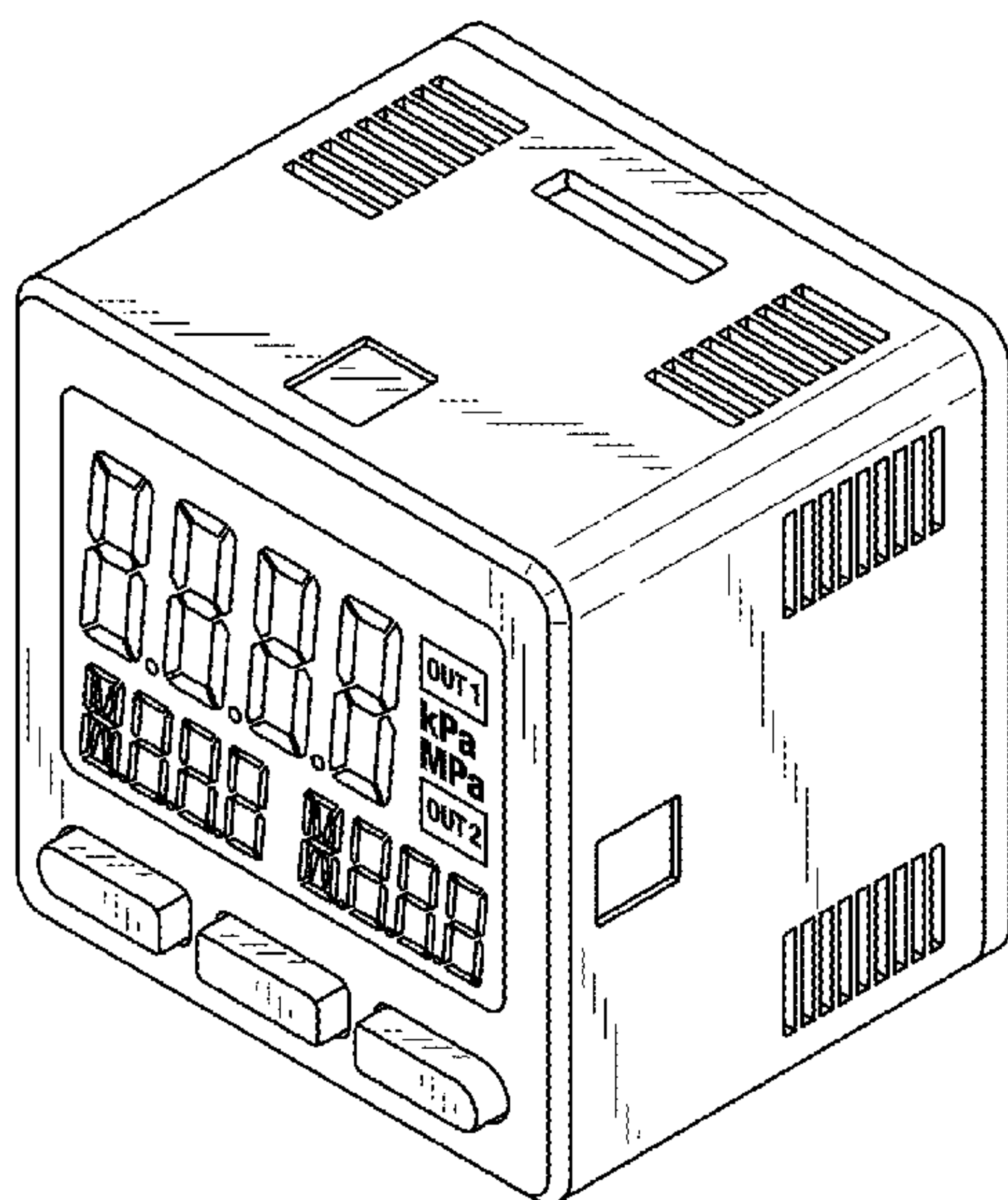


FIG. 1

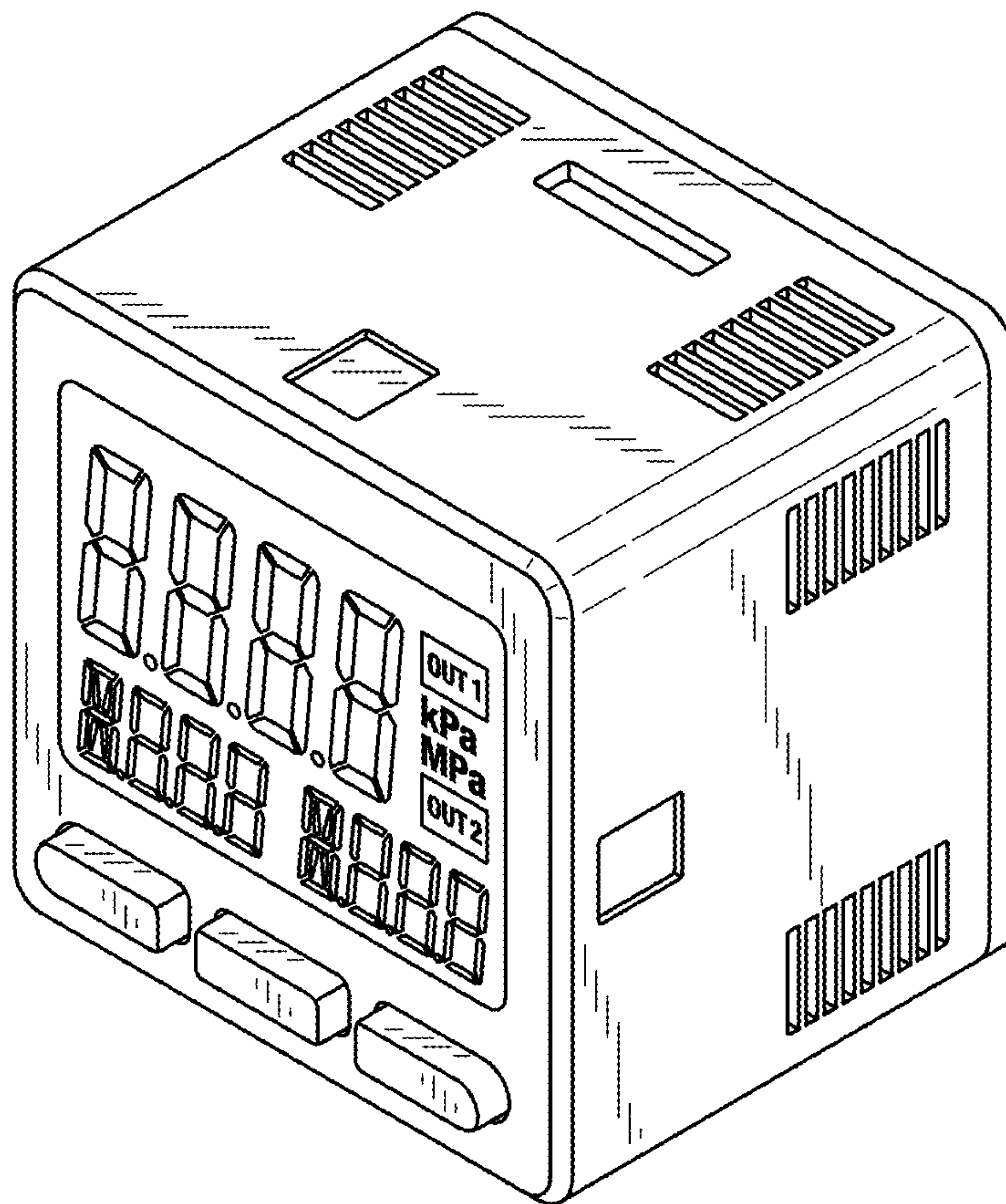


FIG. 2

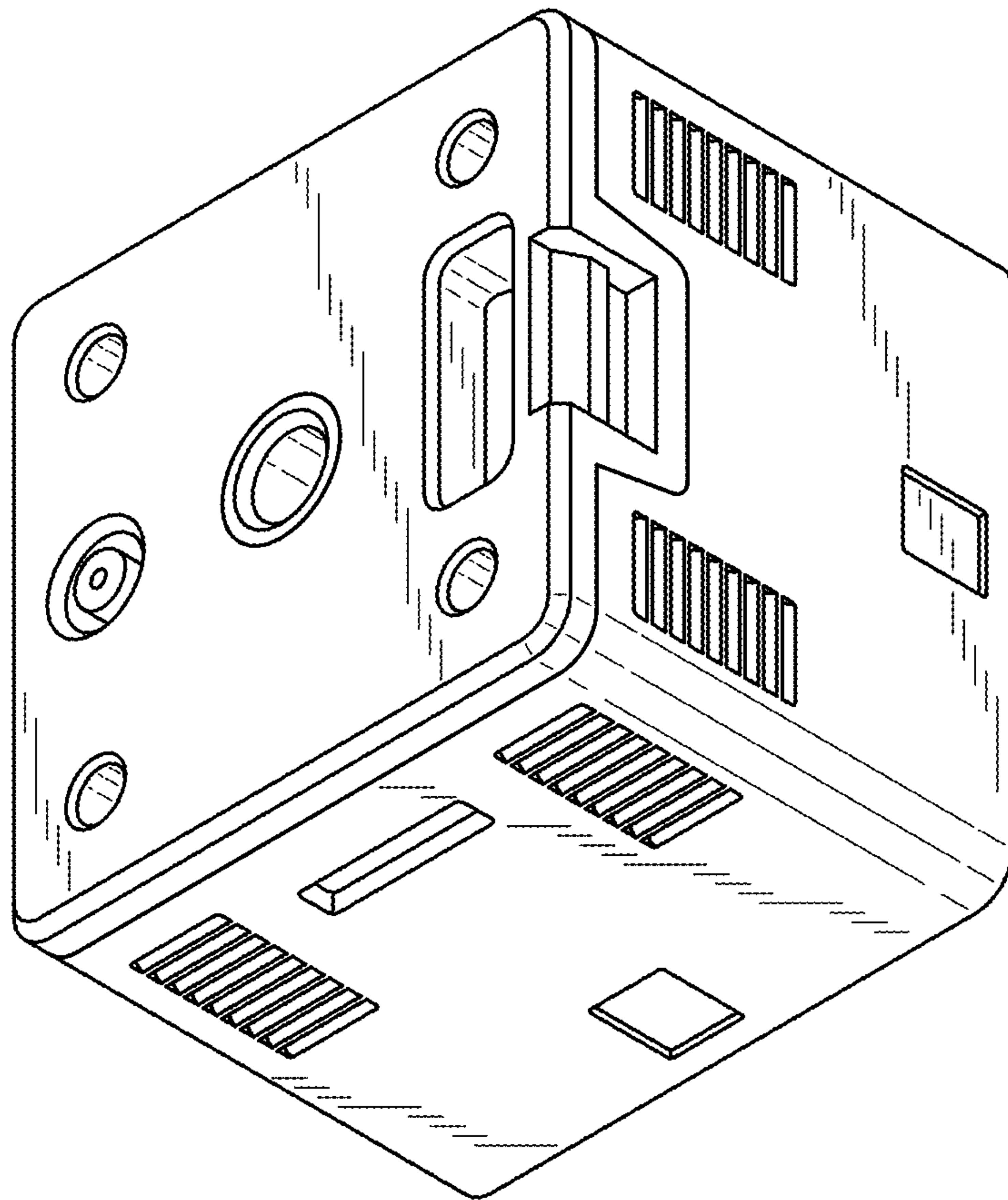


FIG. 3

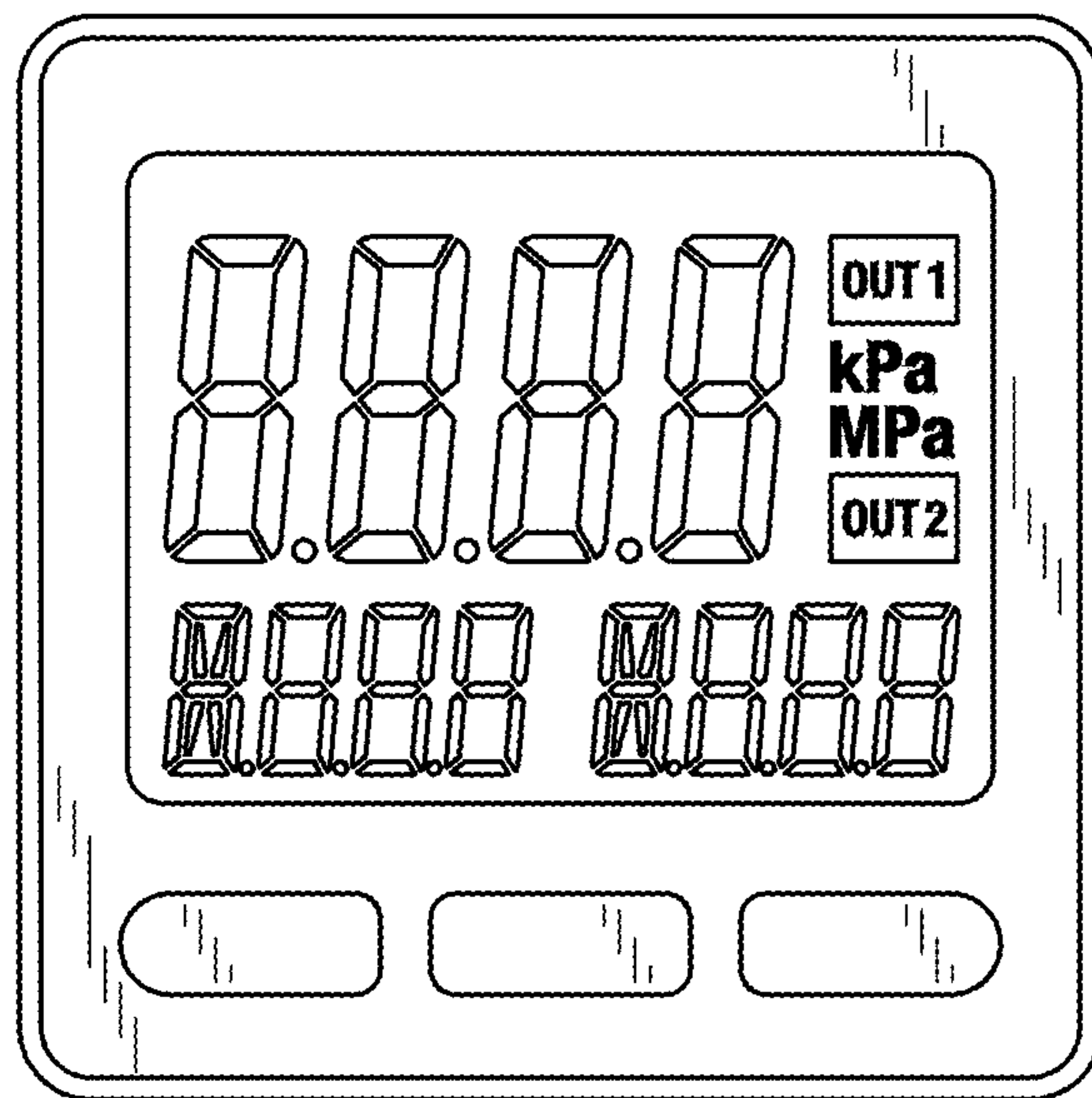


FIG. 4

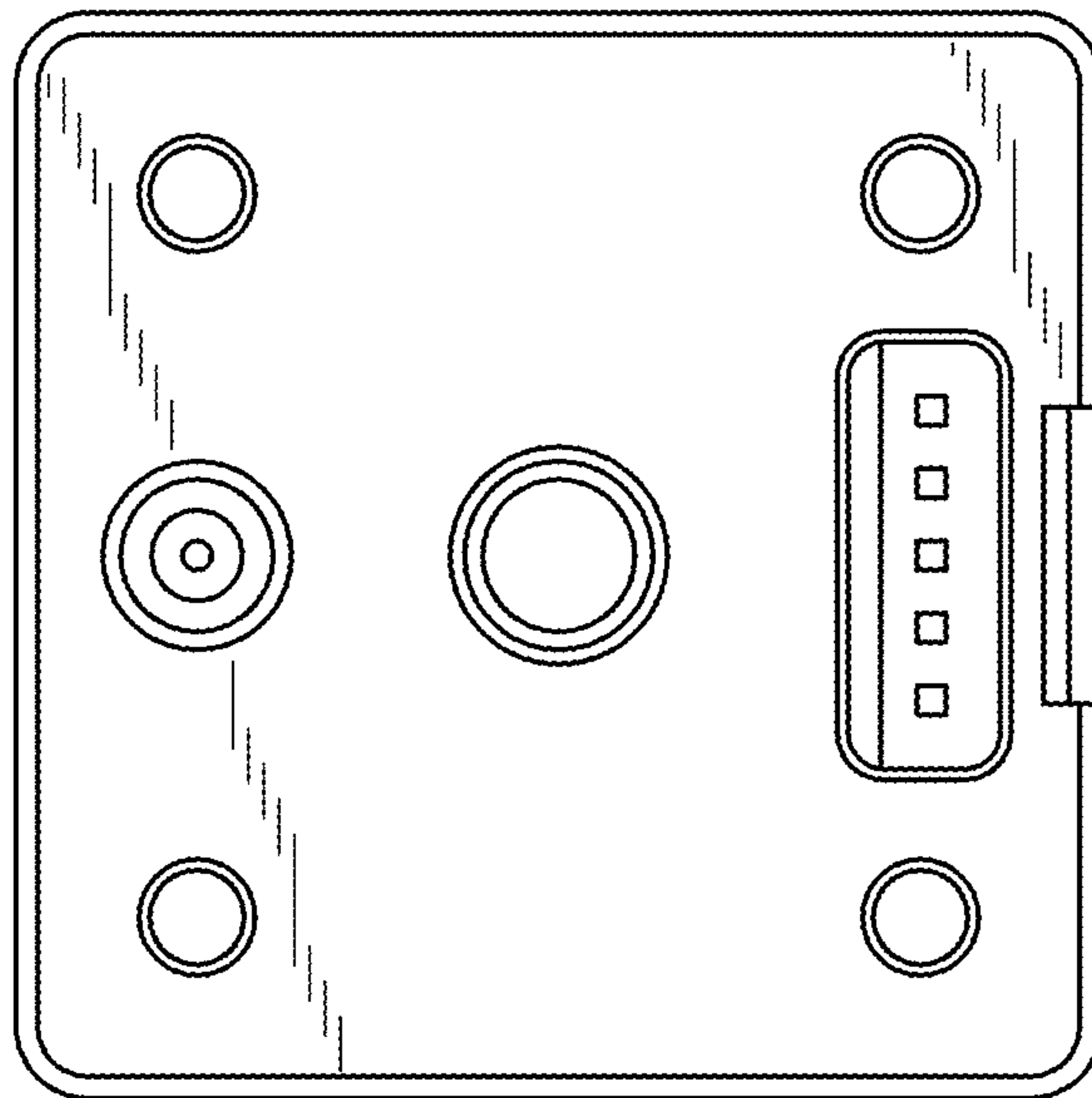


FIG. 5

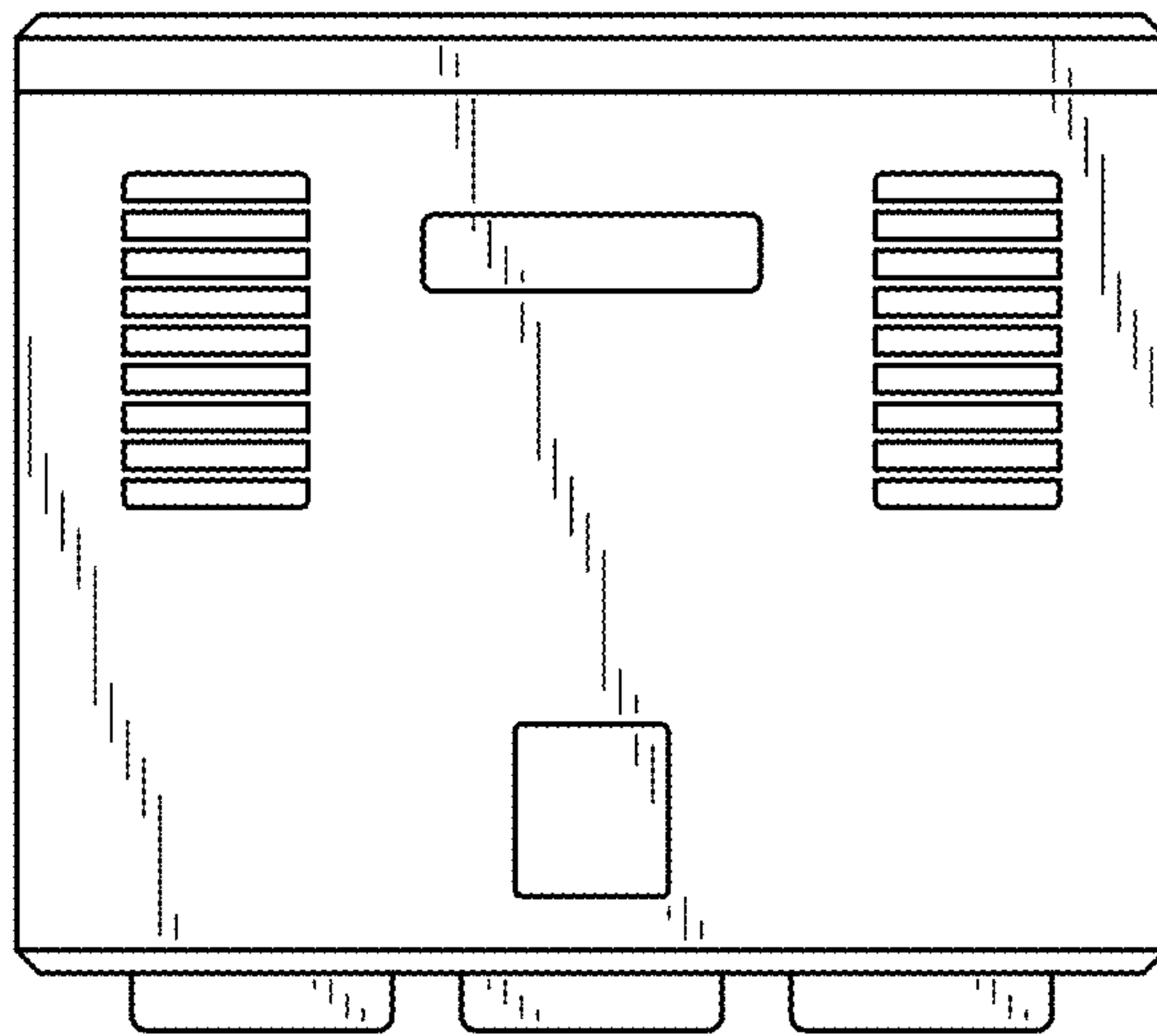


FIG. 6

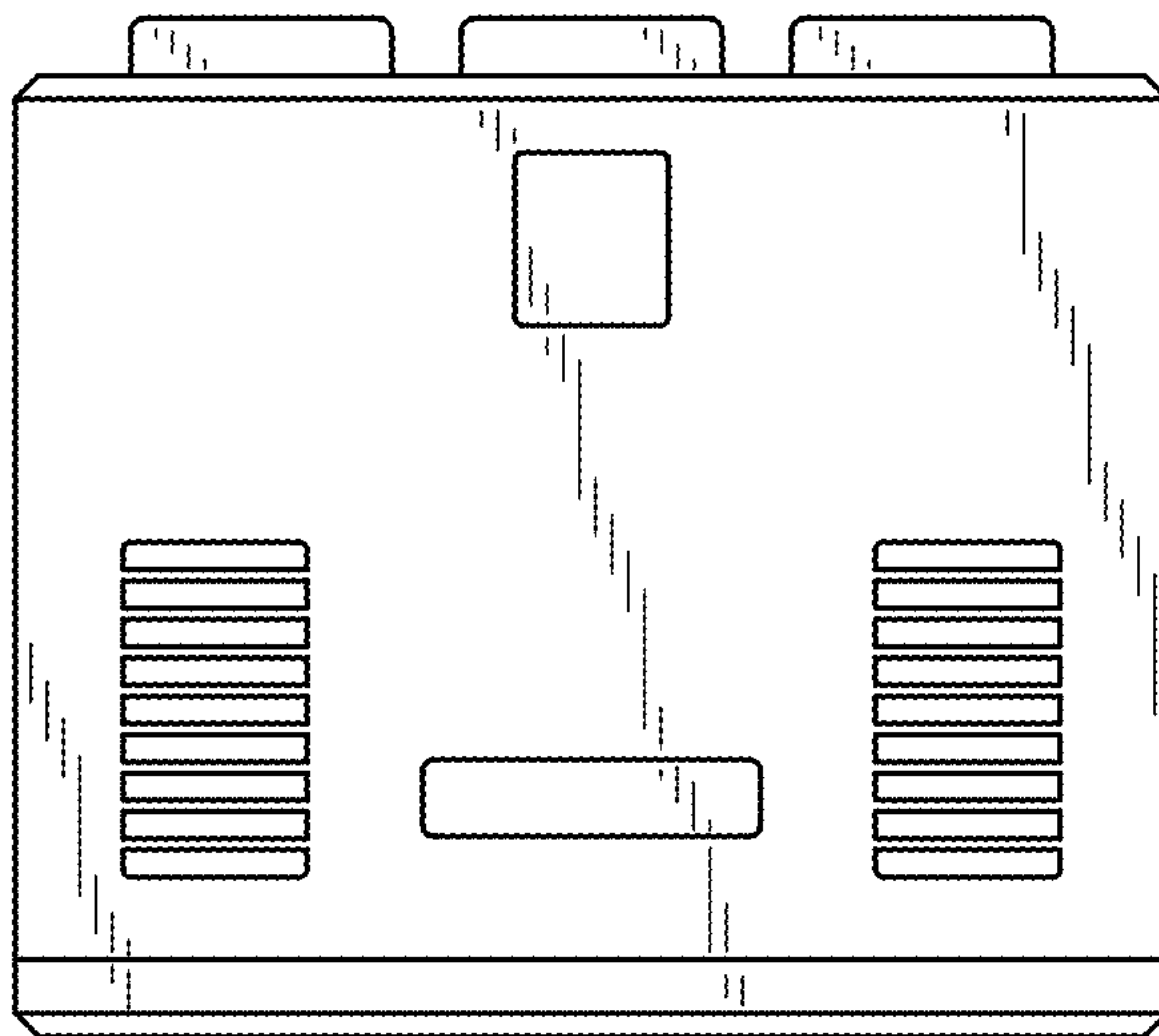


FIG. 7

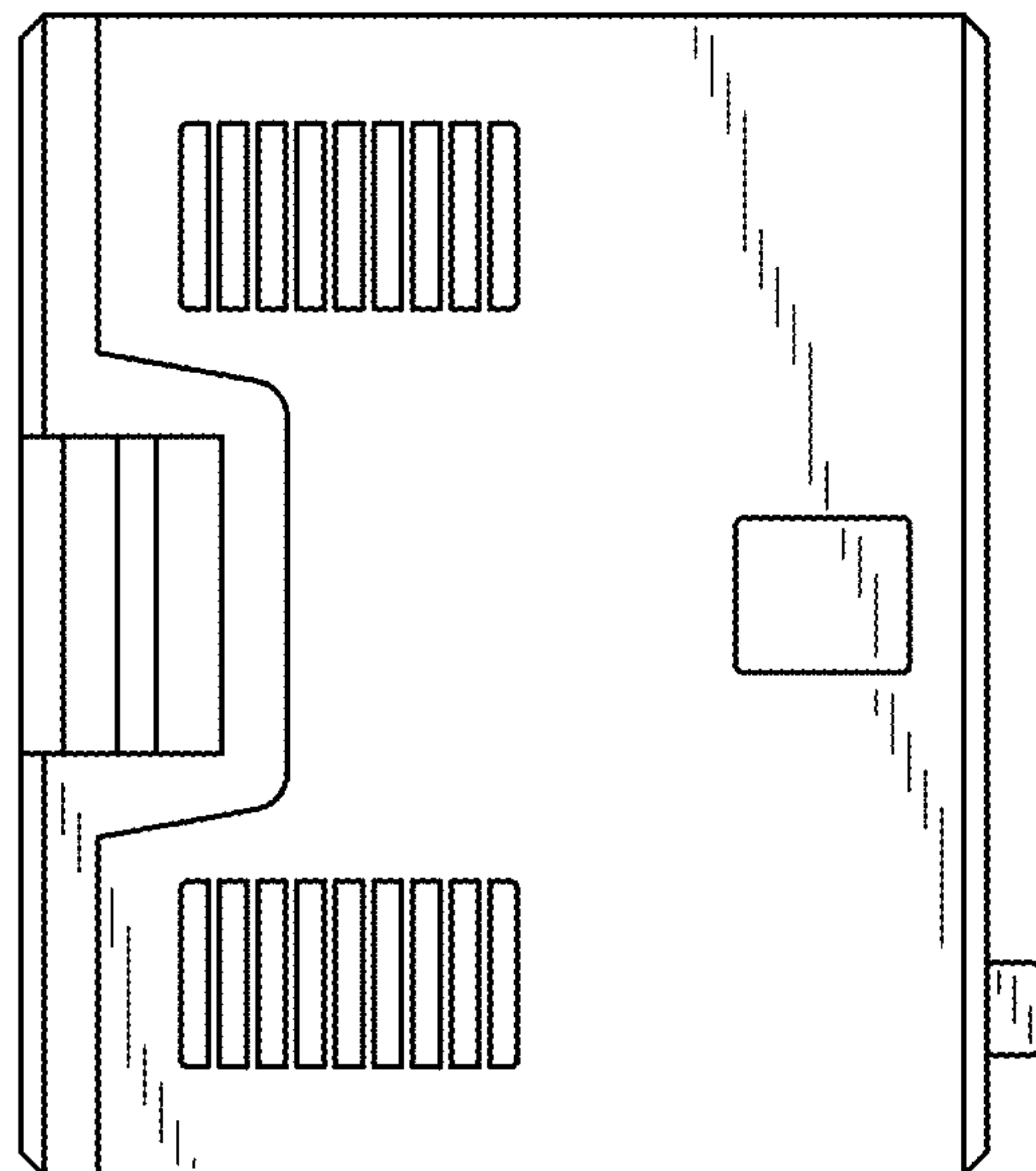


FIG. 8

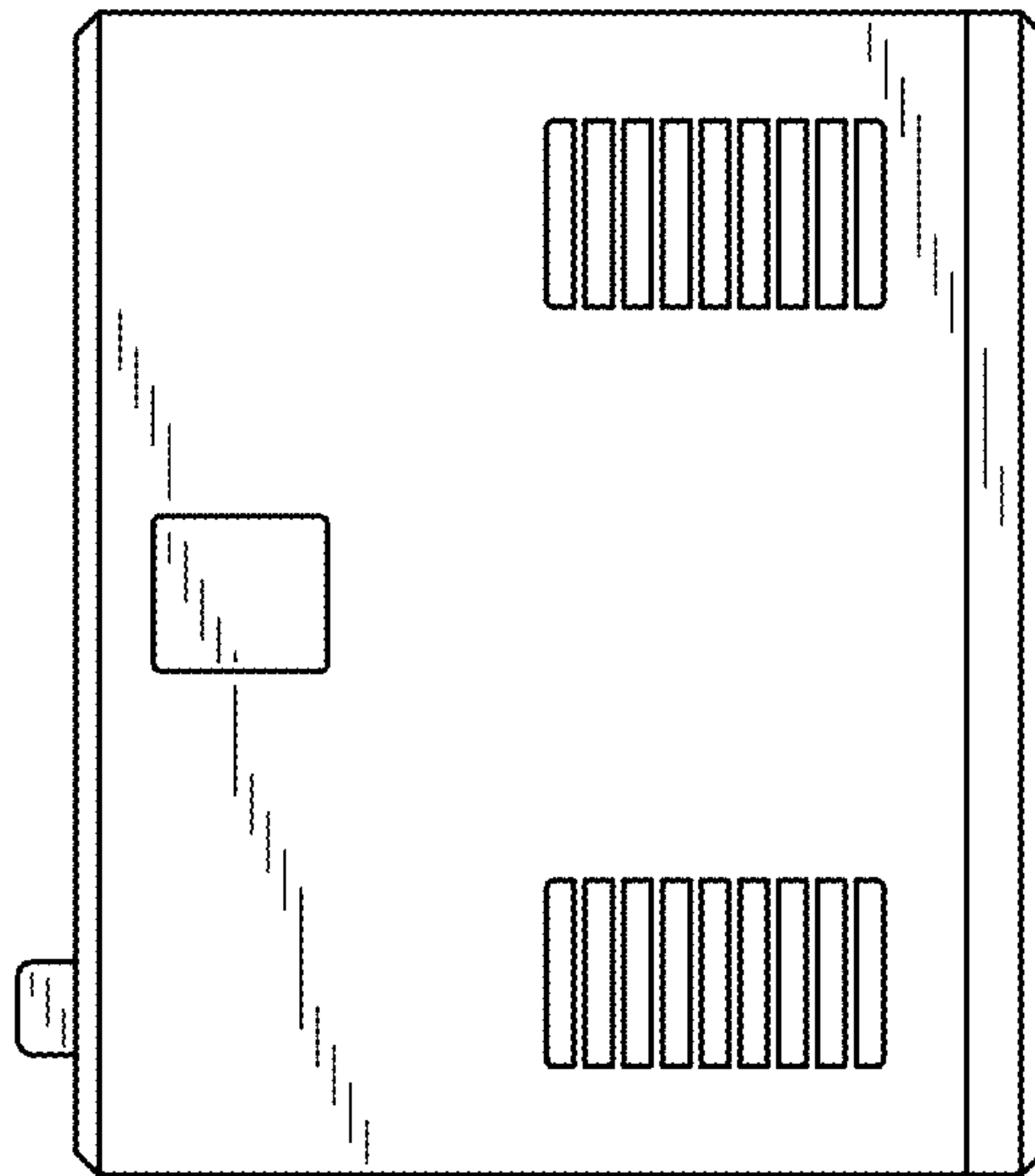


FIG. 9

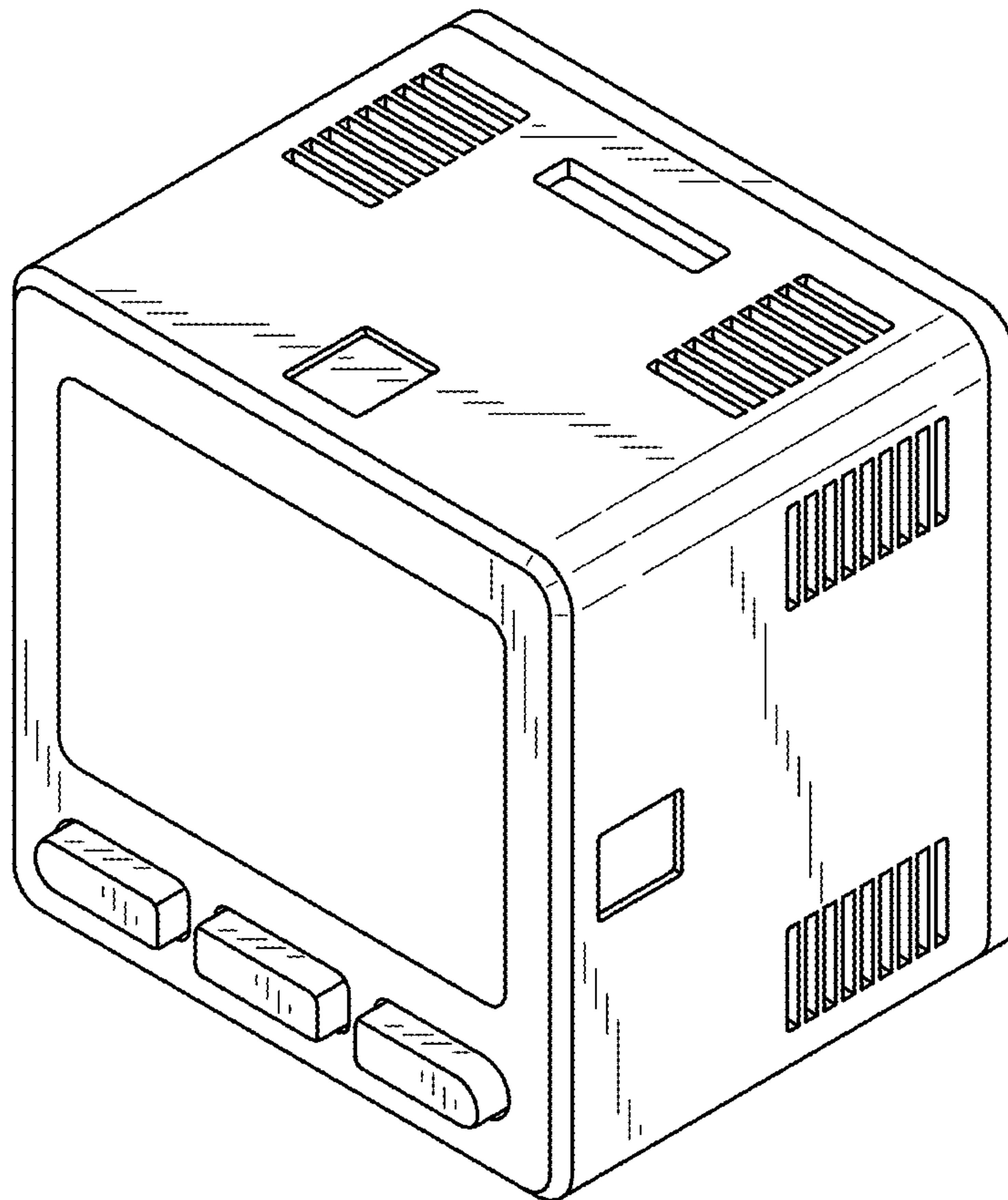


FIG. 10

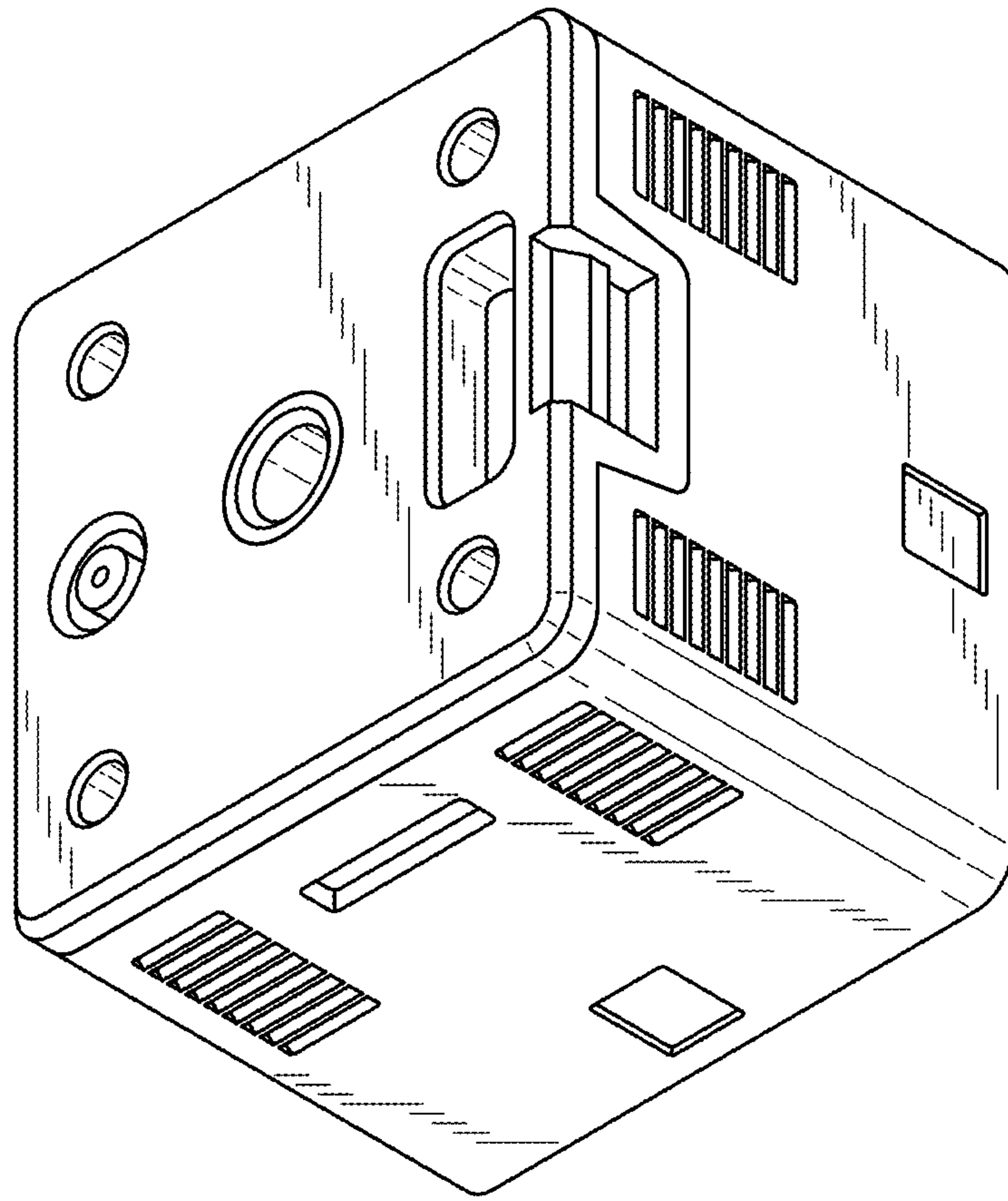


FIG. 11

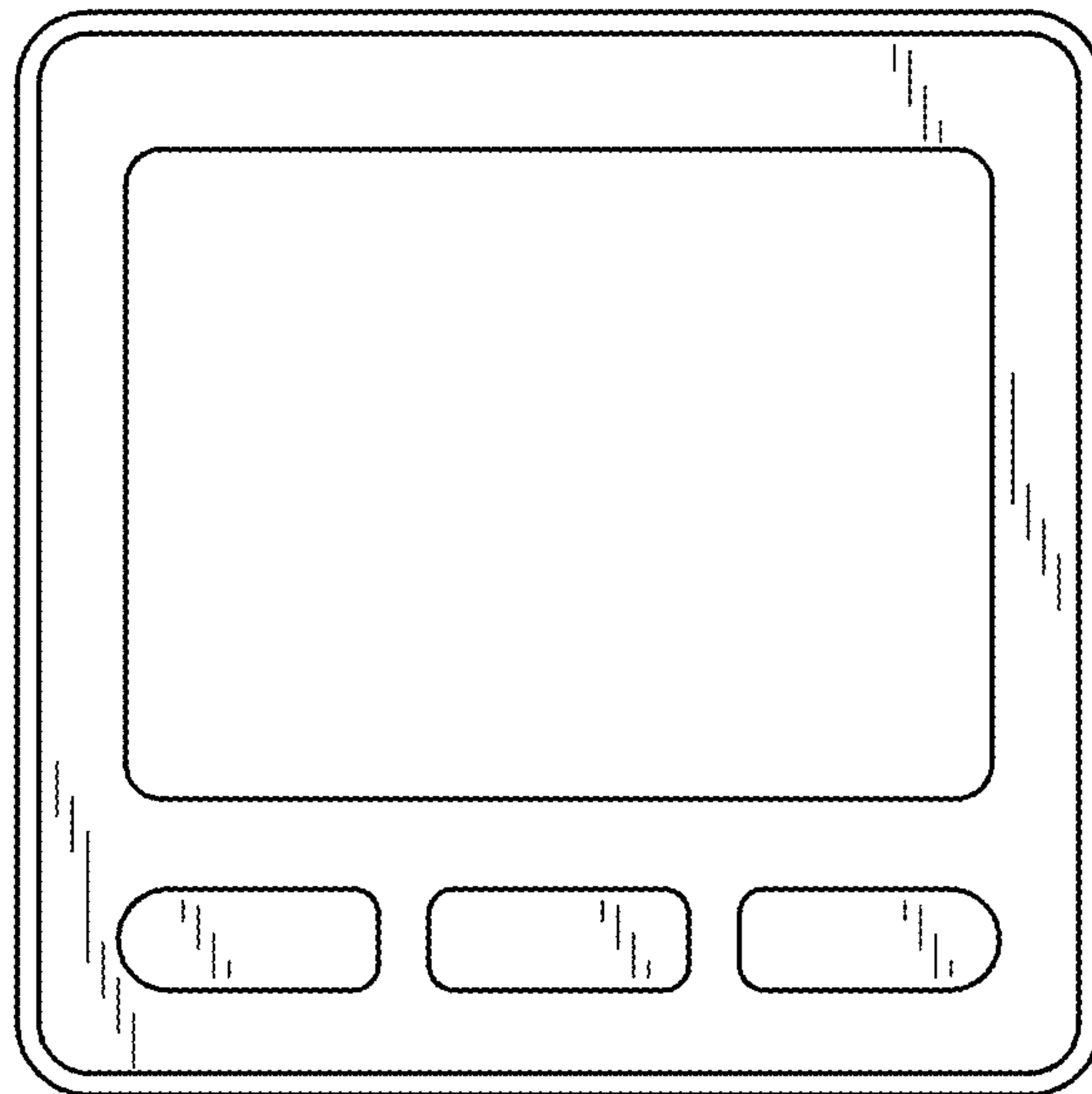


FIG. 12

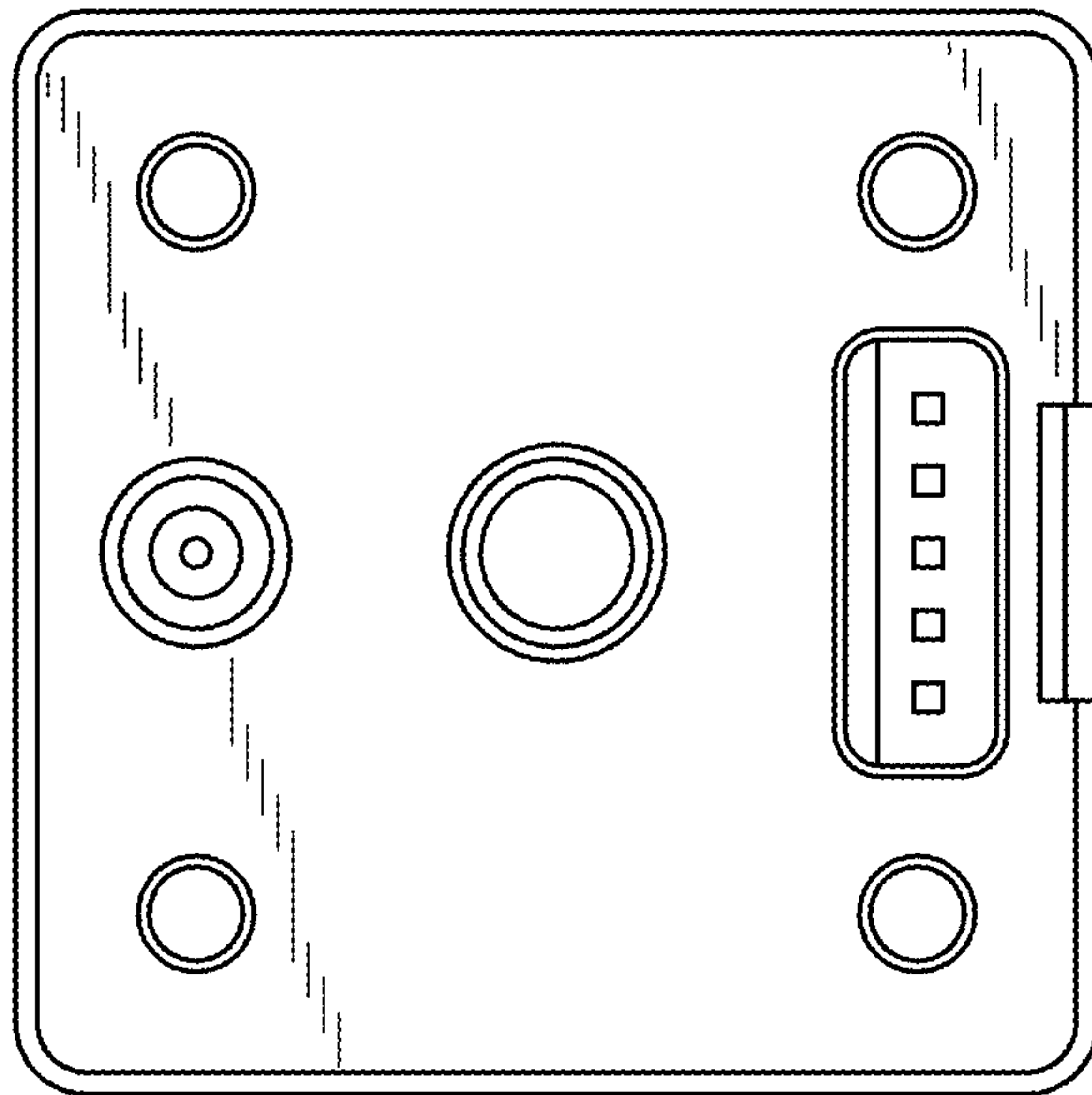


FIG. 13

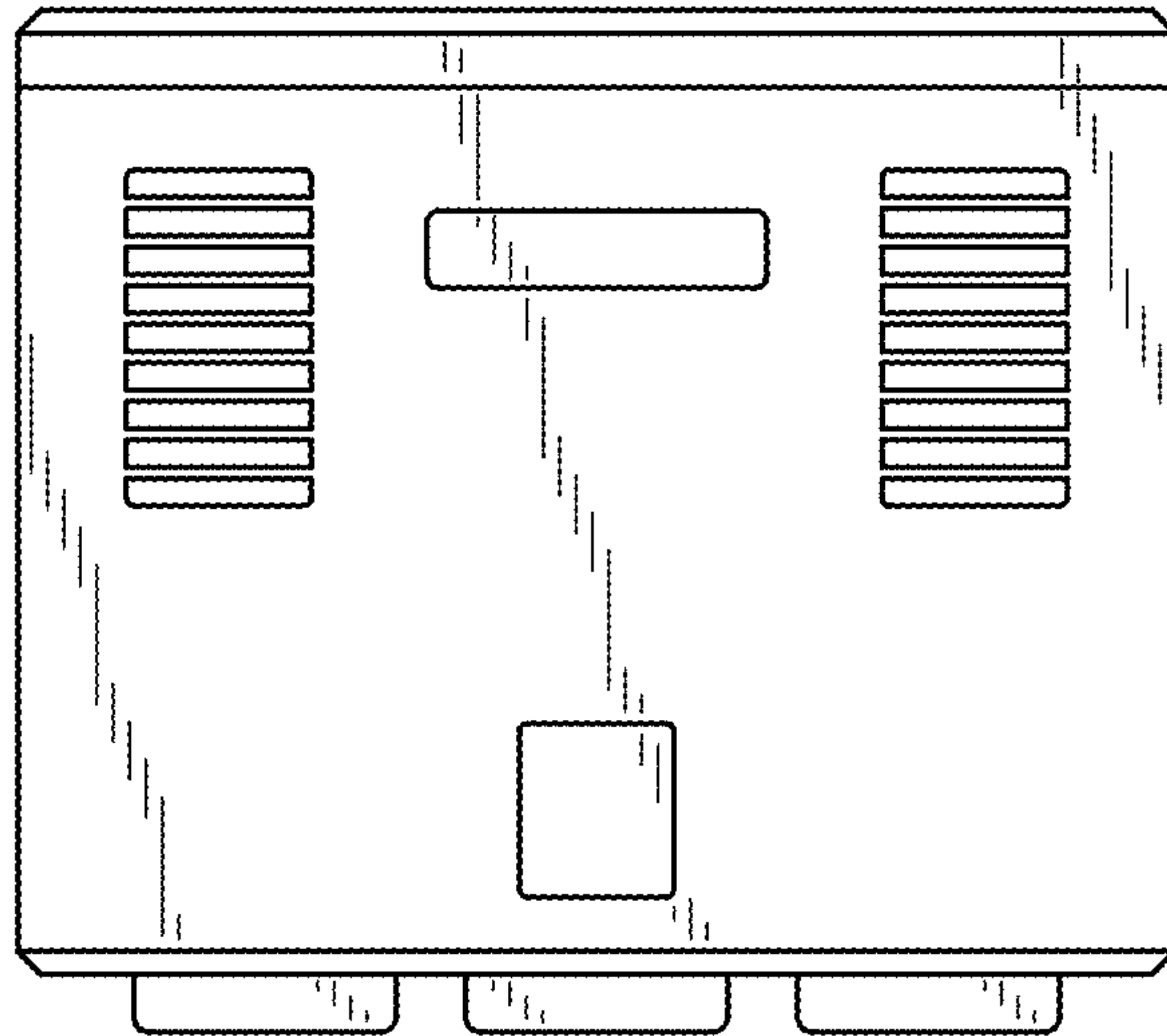


FIG. 14

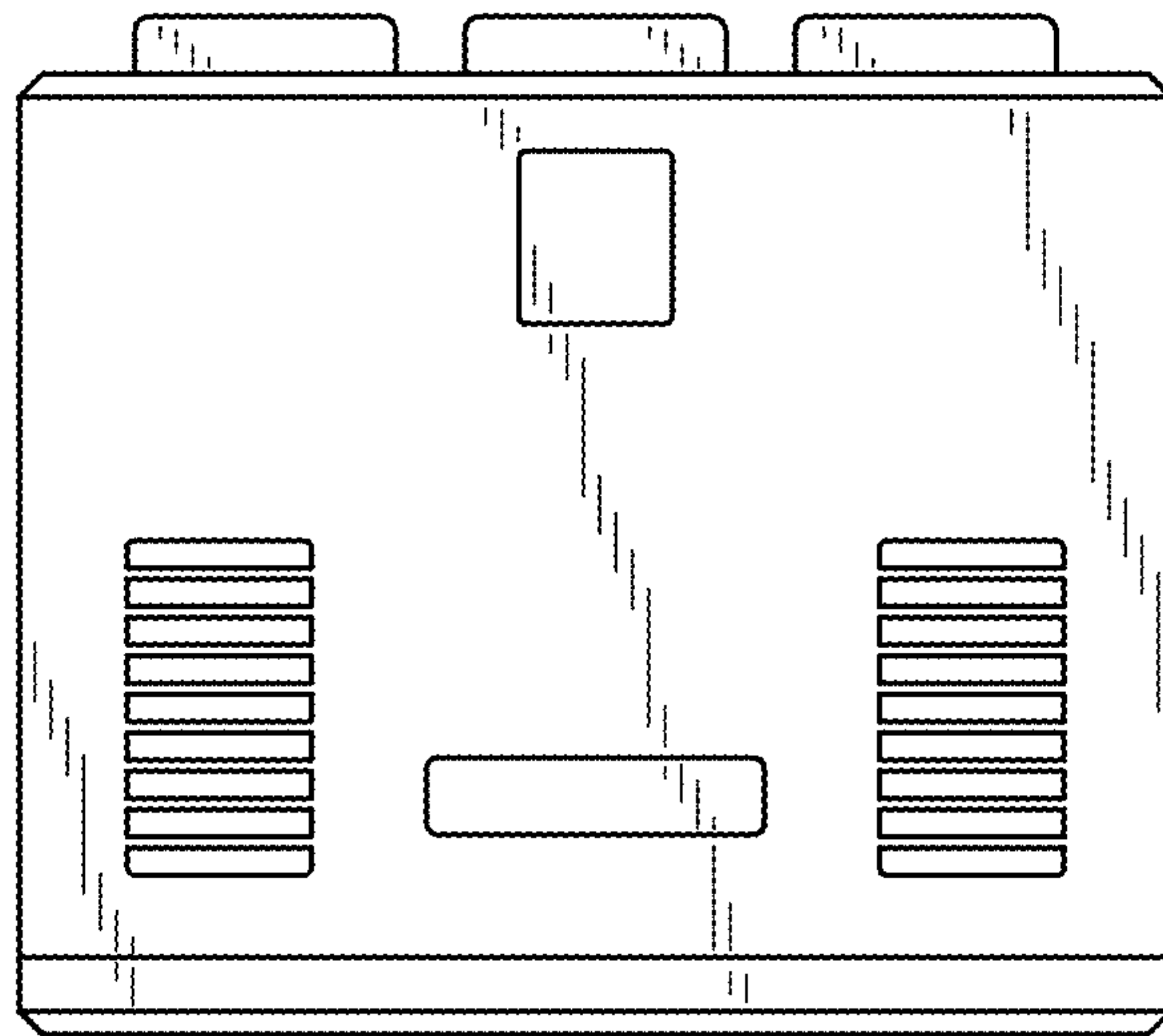


FIG. 15

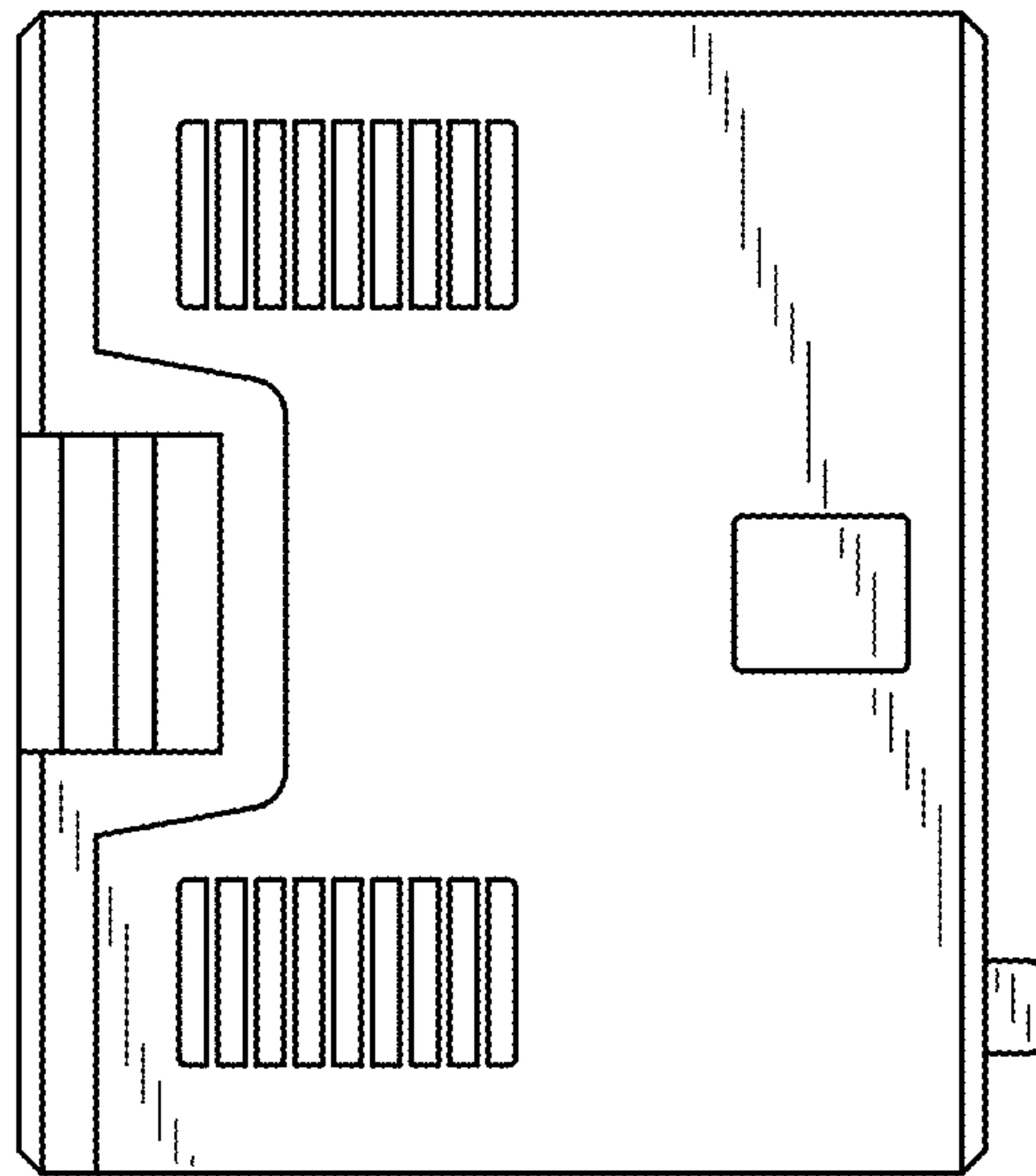


FIG. 16

