



US00D772169S

(12) **United States Design Patent**  
**Chompff**

(10) **Patent No.:** **US D772,169 S**

(45) **Date of Patent:** **\*\* Nov. 22, 2016**

- (54) **CABLE/WIRE ORGANIZER**
- (71) Applicant: **Conrad Louis Chompff**, Concord, CA (US)
- (72) Inventor: **Conrad Louis Chompff**, Concord, CA (US)
- (\*\*) Term: **15 Years**
- (21) Appl. No.: **29/505,192**
- (22) Filed: **Jul. 17, 2015**
- (51) **LOC (10) Cl.** ..... **13-03**
- (52) **U.S. Cl.**  
USPC ..... **D13/155**
- (58) **Field of Classification Search**  
USPC ..... D13/110, 123, 133, 137.1, 139.1, 139.4, D13/152, 154, 155, 156, 158, 162, 164, 173, D13/177, 184; D8/349-351, 353; 174/67, 174/66; D10/49; 439/147-149, 373, 391, 439/535, 536, 538; 220/241, 242; 361/600, 361/707, 752  
CPC ..... H04Q 1/06; H04Q 1/13; H04Q 1/148; H02G 3/30; B65H 75/4471; B65H 2701/3919  
See application file for complete search history.

(56) **References Cited**

**U.S. PATENT DOCUMENTS**

- 5,149,026 A \* 9/1992 Allen ..... F16L 5/10 248/68.1
- D337,042 S \* 7/1993 Lin ..... D8/349
- D395,816 S \* 7/1998 Colodny ..... D8/356
- D409,896 S \* 5/1999 Kaplan ..... D8/356
- 6,077,113 A \* 6/2000 Lecomte ..... H04Q 1/136 439/471
- 6,170,784 B1 \* 1/2001 MacDonald ..... H05K 7/1448 211/26
- 6,396,992 B1 \* 5/2002 Debal ..... H04Q 1/13 385/134
- D468,699 S \* 1/2003 Bjorklund ..... D13/155
- 6,568,542 B1 \* 5/2003 Chen ..... H04Q 1/06 211/26

- D486,678 S \* 2/2004 Hightower ..... D8/349
- 6,702,237 B2 \* 3/2004 Rubenstein ..... F16L 3/003 248/49
- 6,848,854 B2 \* 2/2005 Masse ..... H01R 9/2608 312/223.6
- 7,459,633 B2 \* 12/2008 Burns ..... H02G 3/0418 138/168
- D616,730 S \* 6/2010 Dennes ..... D8/356
- D626,817 S \* 11/2010 Donowho ..... D8/356
- D632,547 S \* 2/2011 Thompson ..... D8/356
- D653,527 S \* 2/2012 Choi ..... D8/381
- D653,528 S \* 2/2012 Choi ..... D8/381
- 8,596,588 B1 \* 12/2013 Sikkema ..... H02G 3/30 211/70.6
- D734,273 S \* 7/2015 Chompff ..... D13/155
- D739,358 S \* 9/2015 Collier ..... D13/155
- D753,466 S \* 4/2016 Blackard ..... D13/155
- 2009/0014614 A1 \* 1/2009 Warmoth ..... H05K 7/1489 248/309.1

\* cited by examiner

*Primary Examiner* — Derrick Holland

*Assistant Examiner* — Jennifer O King

(74) *Attorney, Agent, or Firm* — Mark C Jacobs

(57) **CLAIM**

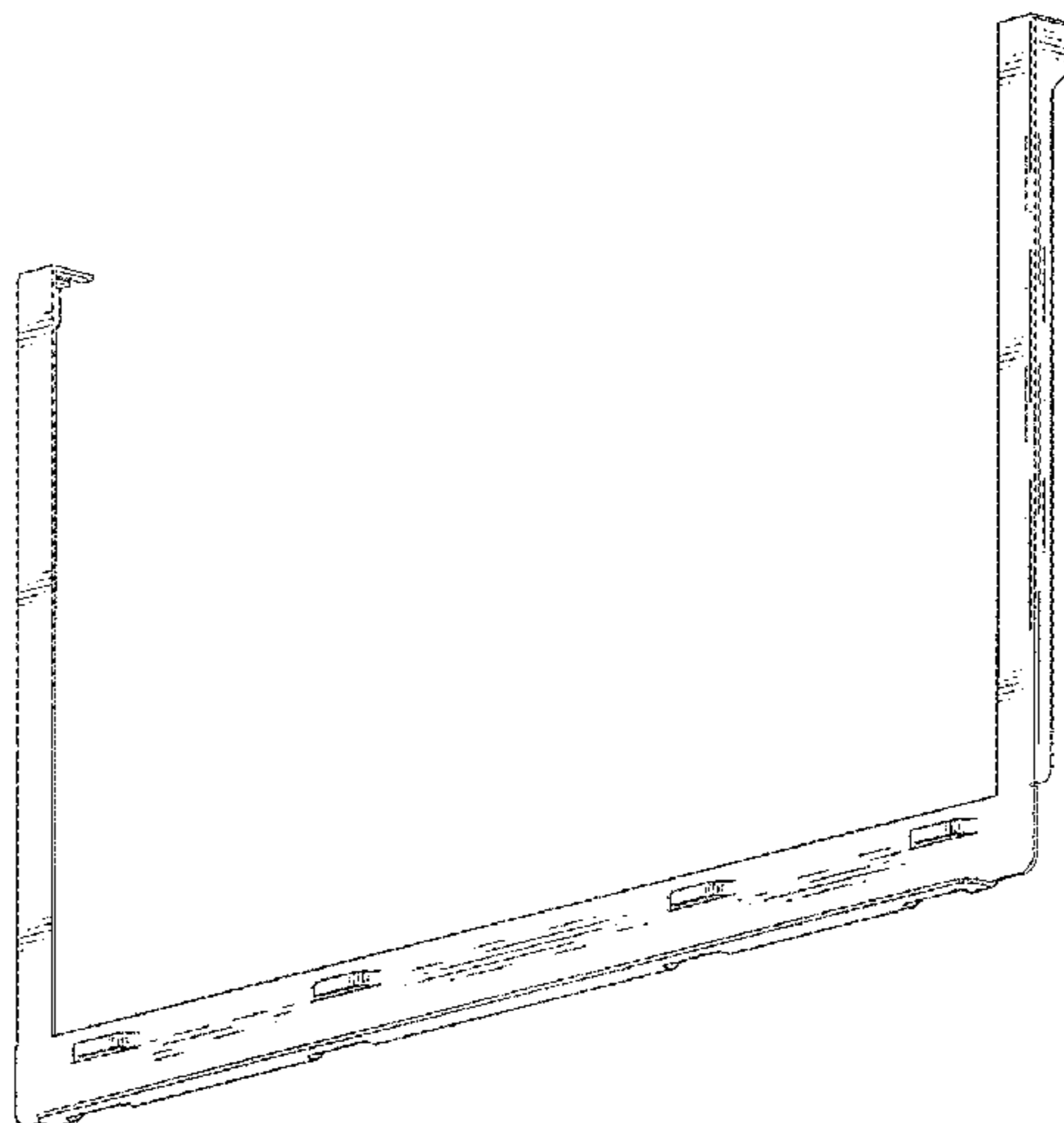
The ornamental design for a cable/wire organizer, as shown and described.

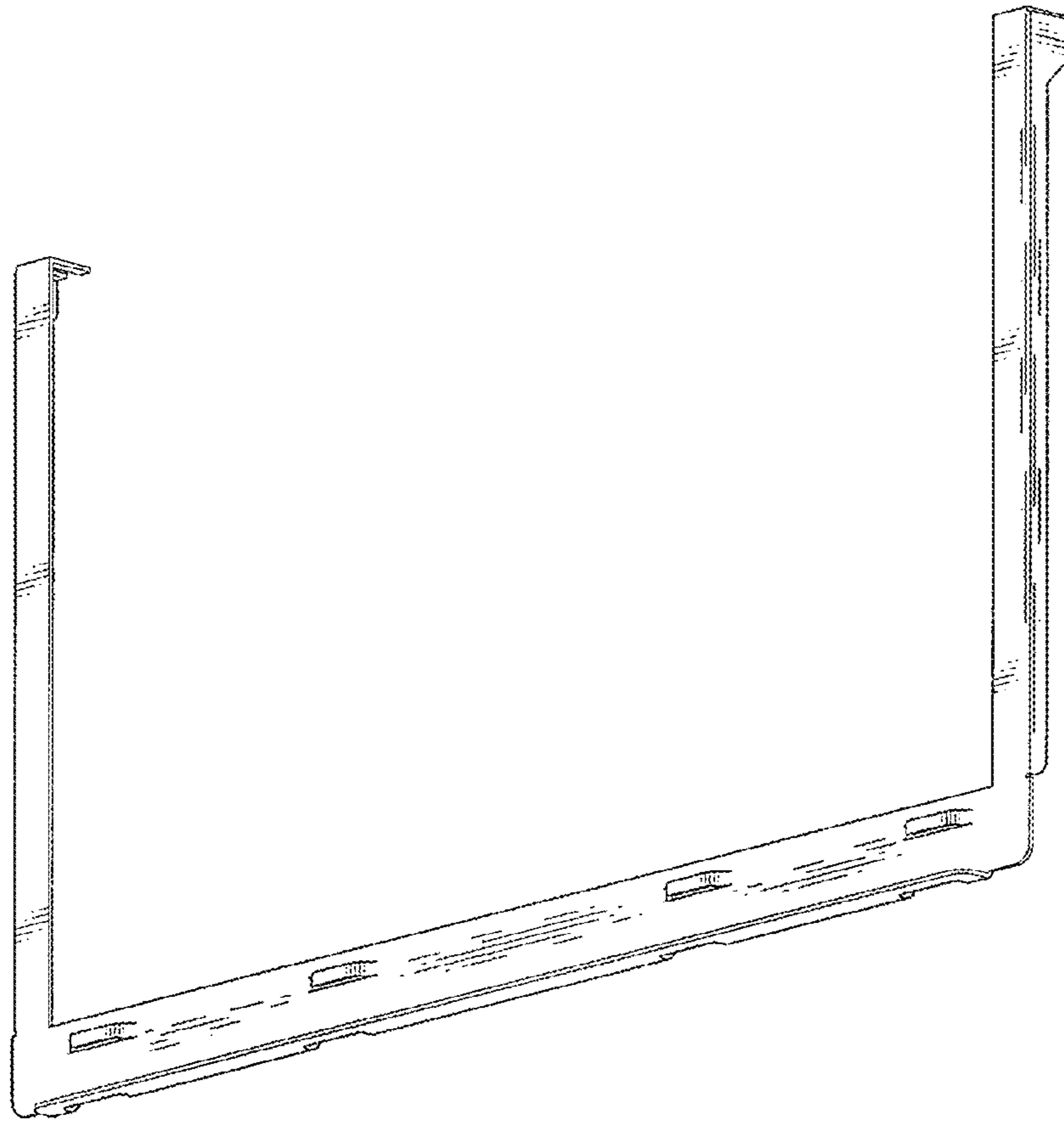
**DESCRIPTION**

FIG. 1 is a front perspective view a cable/wire organizer; FIG. 2 is a rear perspective view thereof; FIG. 3 is a front view thereof; FIG. 4 is a rear plan view thereof; FIG. 5 is a bottom view thereof; FIG. 6 is a top view thereof; FIG. 7 is a right side view thereof, the left side is mirror image thereof; and, FIG. 8 is a front perspective view thereof shown in environmental use.

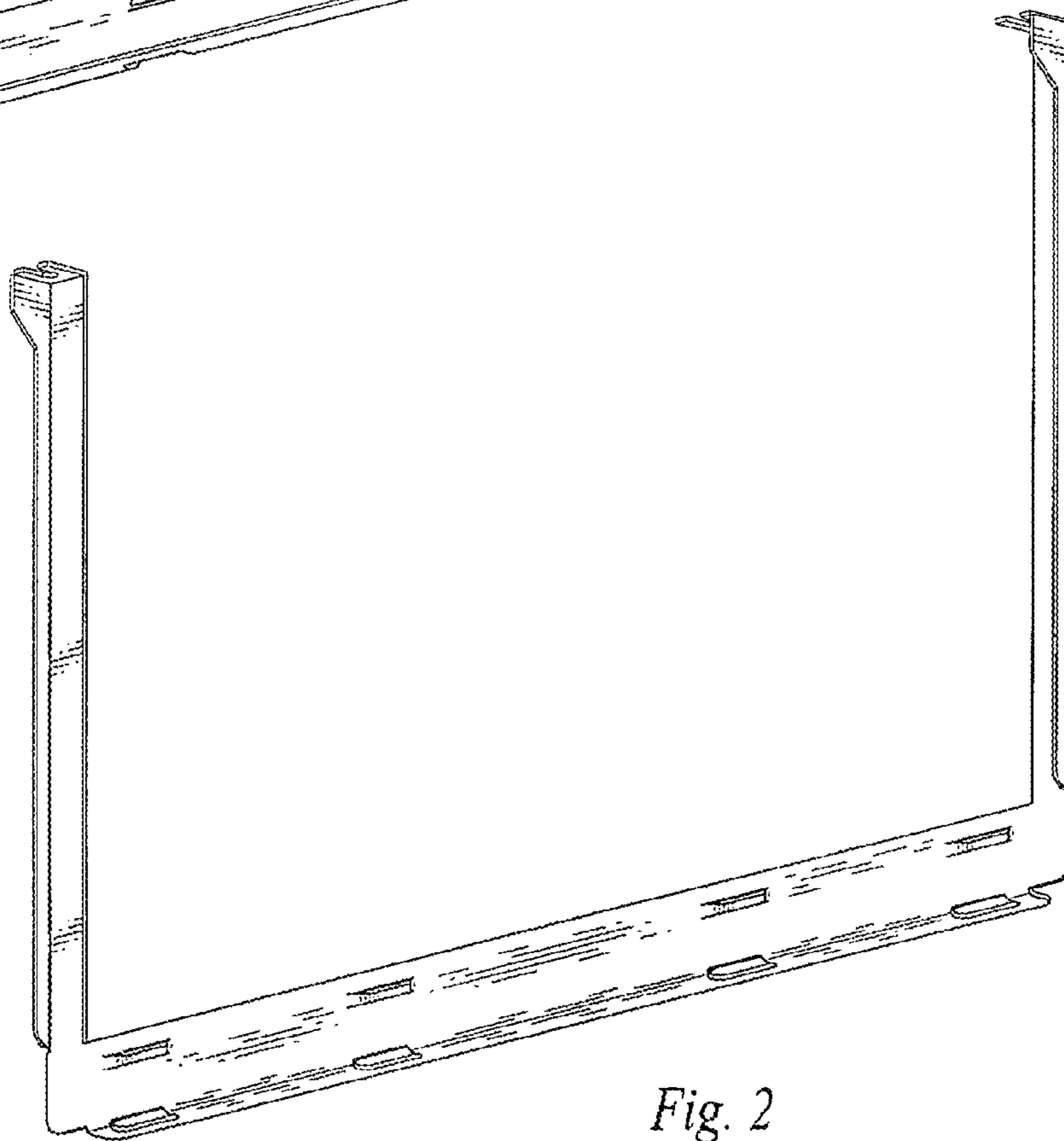
The broken lines shown represent unclaimed subject matter and form no part of the claimed design.

**1 Claim, 3 Drawing Sheets**

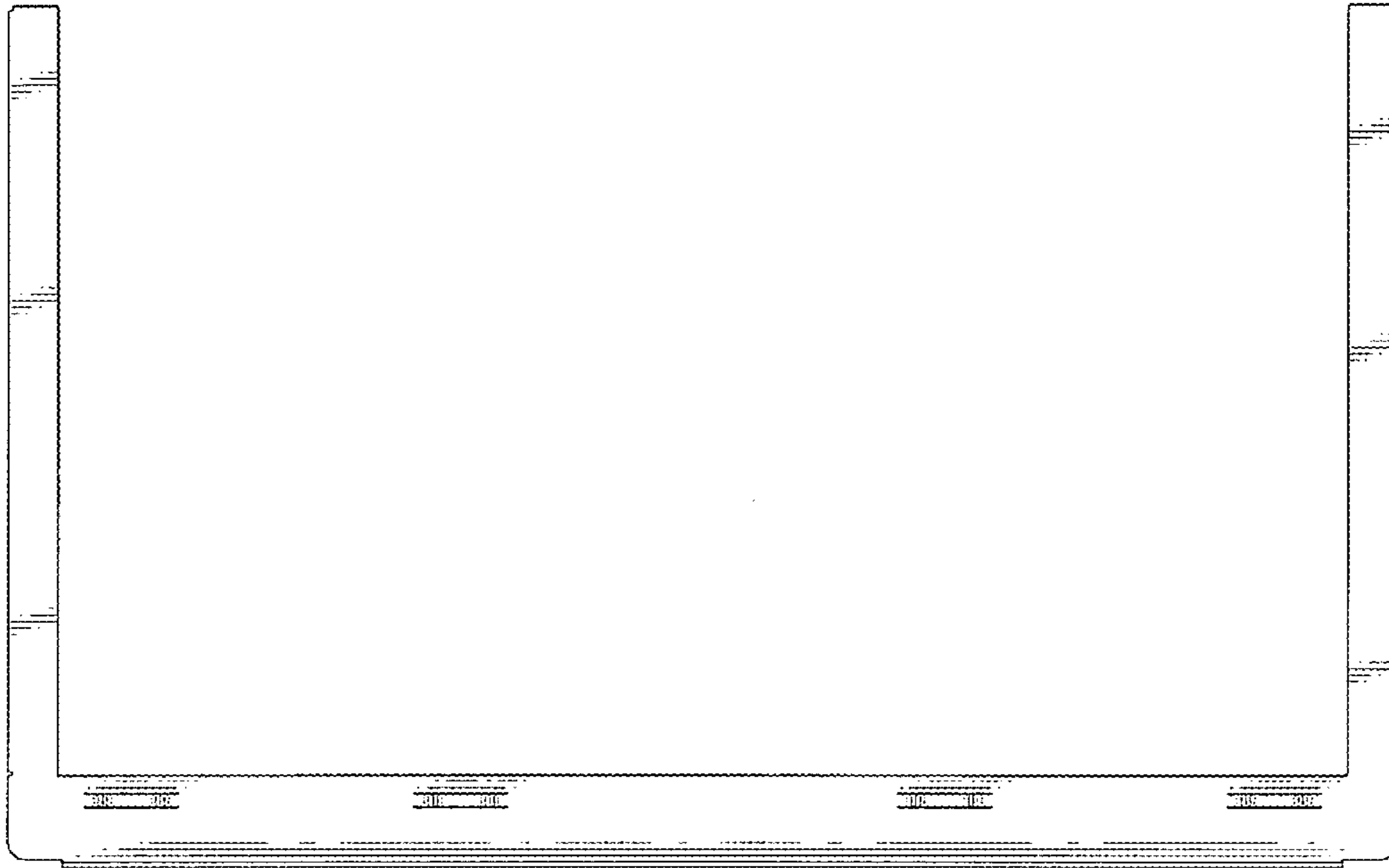




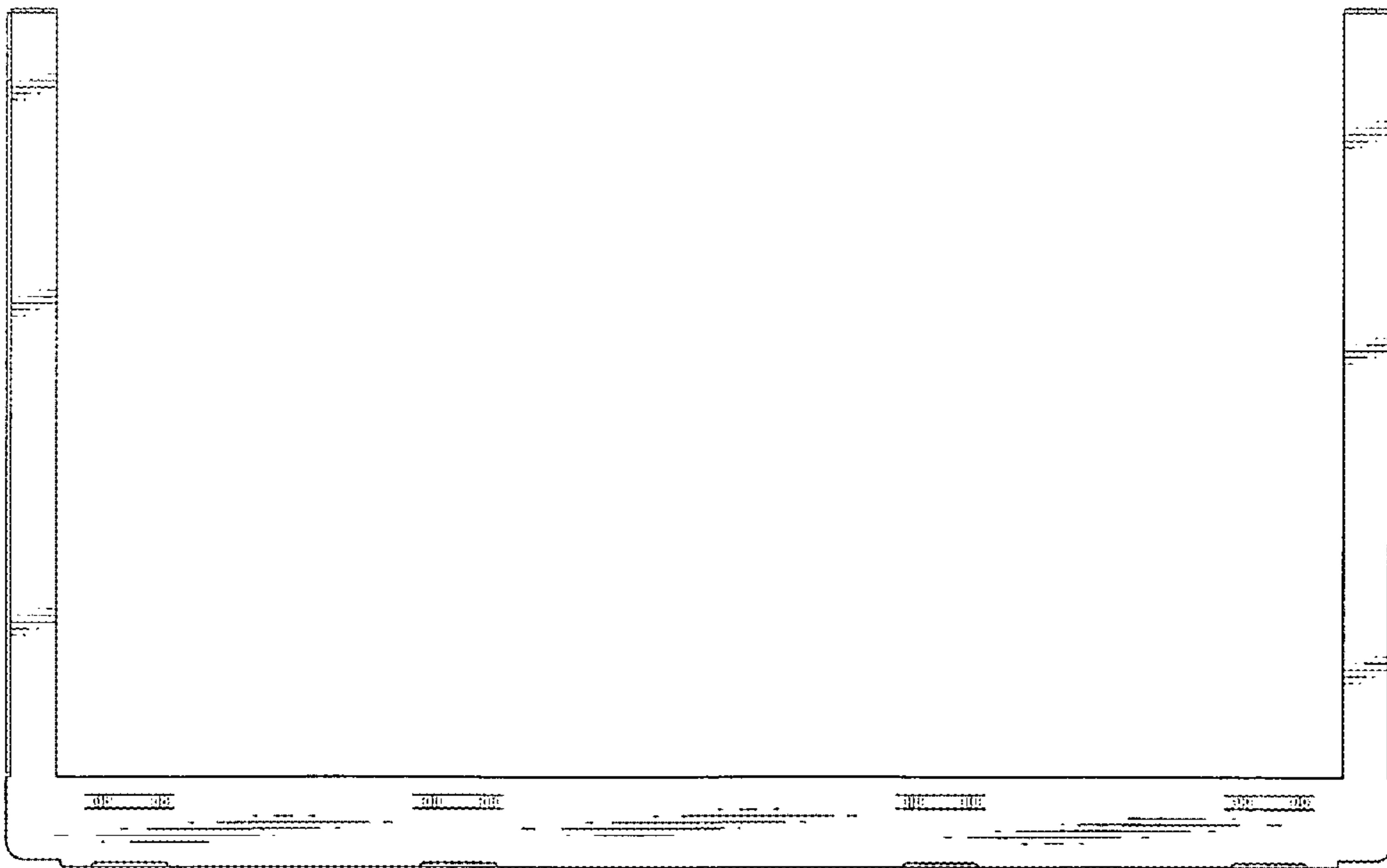
*Fig. 1*



*Fig. 2*



*Fig. 3*



*Fig. 4*

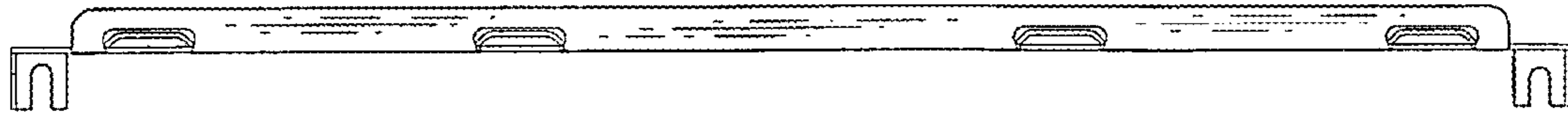


Fig. 5



Fig. 6

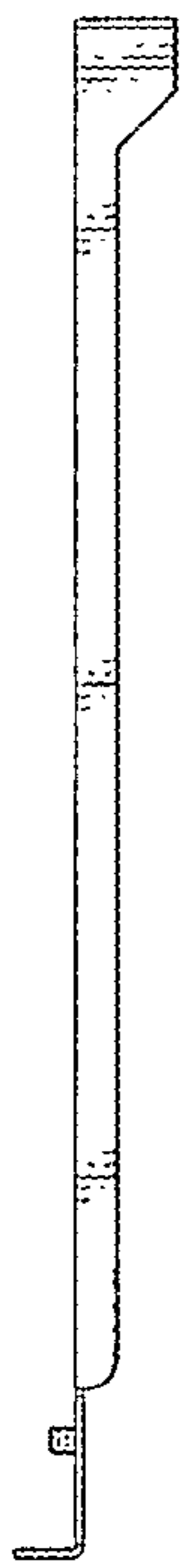


Fig. 7

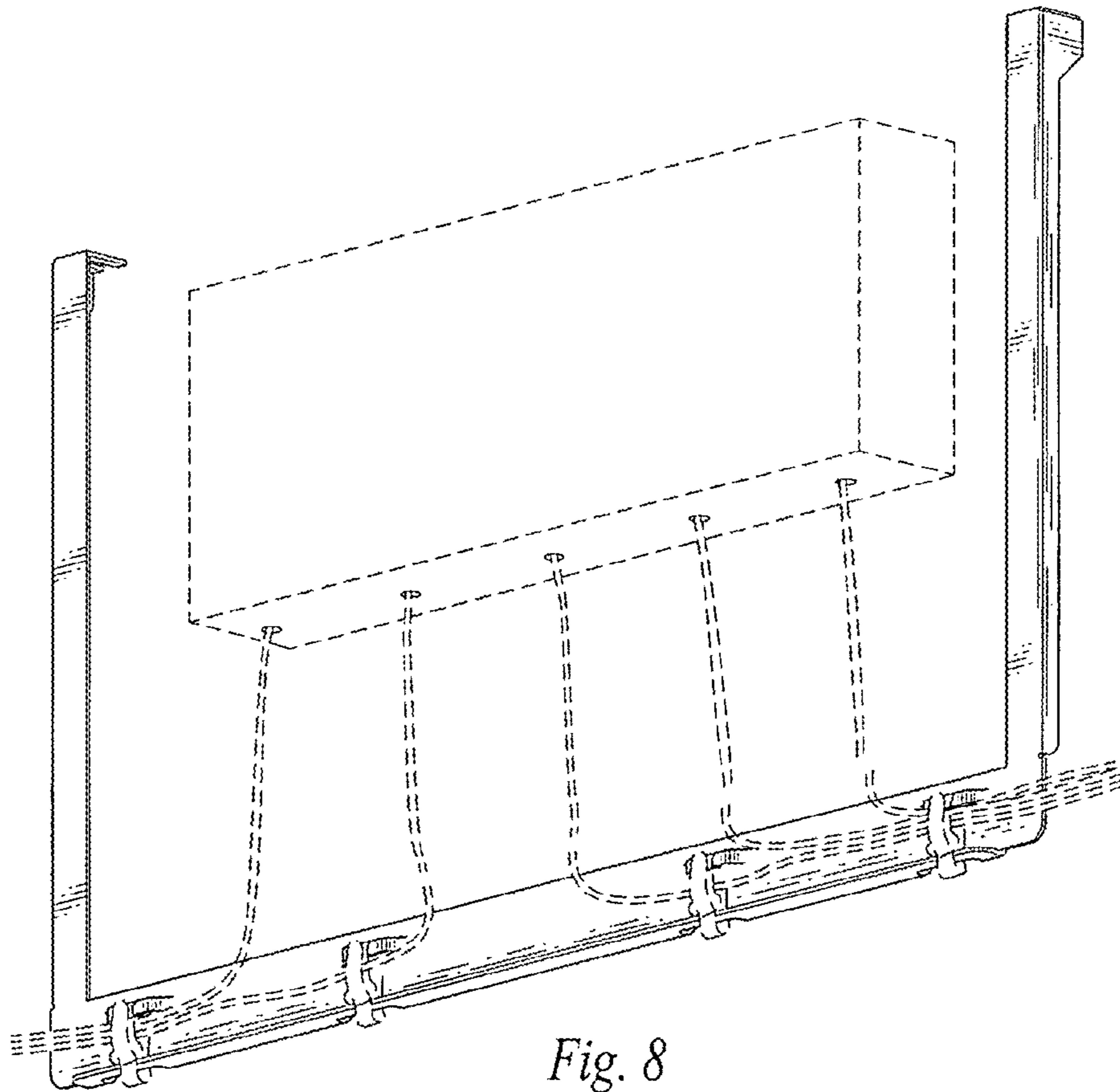


Fig. 8