



US00D772167S

(12) **United States Design Patent**  
**Tada**

(10) **Patent No.:** **US D772,167 S**

(45) **Date of Patent:** **\*\* Nov. 22, 2016**

(54) **ELECTRICAL CONNECTOR**

(71) Applicant: **Japan Aviation Electronics Industry, Limited**, Tokyo (JP)

(72) Inventor: **Takashi Tada**, Tokyo (JP)

(73) Assignee: **Japan Aviation Electronics Industry, Limited**, Tokyo (JP)

(\*\*) Term: **15 Years**

(21) Appl. No.: **29/536,726**

(22) Filed: **Aug. 19, 2015**

(30) **Foreign Application Priority Data**

Mar. 6, 2015 (JP) ..... 2015-004920

(51) **LOC (10) Cl.** ..... **13-03**

(52) **U.S. Cl.**  
USPC ..... **D13/147**

(58) **Field of Classification Search**  
USPC ..... D13/133, 146, 147, 154, 184, 199;  
D14/432, 433, 435.1  
CPC .. H01R 24/60; H01R 24/70; H01R 13/5205;  
H01R 13/5219; H01R 13/642; H01R  
13/6471; H01R 13/6581; H01R 13/6582;  
H01R 13/6285; H01R 13/6591; H01R  
13/6596

See application file for complete search history.

(56) **References Cited**

**U.S. PATENT DOCUMENTS**

D737,211 S \* 8/2015 Little ..... D13/147  
D744,428 S \* 12/2015 Rodriguez ..... D13/147  
2015/0270646 A1\* 9/2015 Kao ..... H01R 13/6581  
439/76.1

2015/0340815 A1\* 11/2015 Gao ..... H01R 13/6581  
439/607.01  
2016/0036169 A1\* 2/2016 Hu ..... H01R 13/6585  
439/607.05  
2016/0104972 A1\* 4/2016 Feng ..... H01R 13/6581  
439/607.27  
2016/0134058 A1\* 5/2016 Deng ..... H01R 13/6581  
439/607.01

**FOREIGN PATENT DOCUMENTS**

JP 1445255 S 7/2012  
JP 1445444 S 7/2012  
JP 1445449 S 7/2012

\* cited by examiner

*Primary Examiner* — Daniel Bui

(74) *Attorney, Agent, or Firm* — Cermak Nakajima & McGowan LLP; Tomoko Nakajima

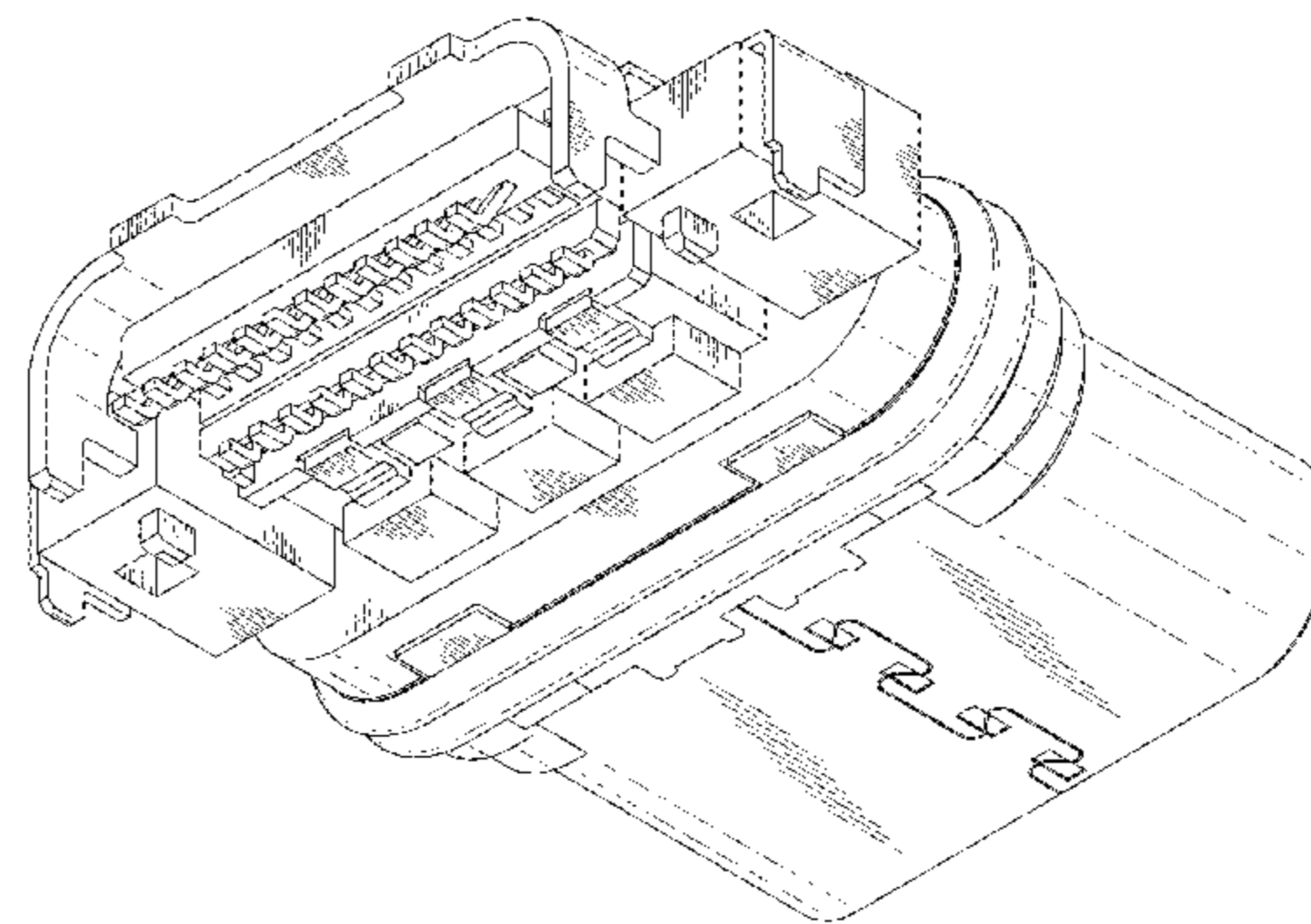
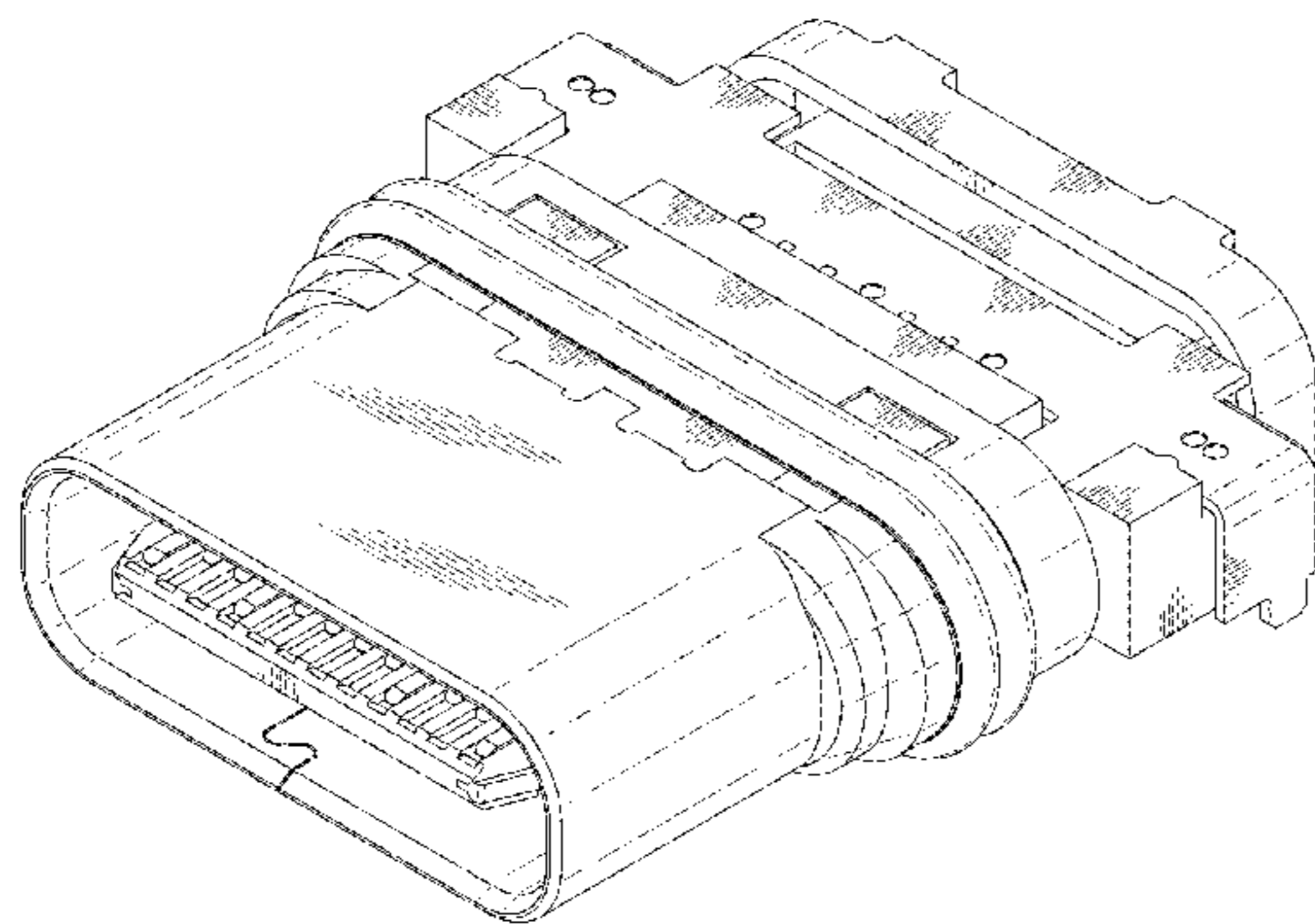
(57) **CLAIM**

The ornamental design for an electrical connector, as shown and described.

**DESCRIPTION**

FIG. 1 is a front elevational view of an electrical connector showing my new design;  
FIG. 2 is a top plan view thereof;  
FIG. 3 is a right side elevational view thereof;  
FIG. 4 is a left side elevational view thereof;  
FIG. 5 is a rear elevational view thereof; and  
FIG. 6 is a bottom plan view thereof.  
FIG. 7 is a front and top perspective view thereof;  
FIG. 8 is a rear and top perspective view thereof;  
FIG. 9 is a front and bottom perspective view thereof; and,  
FIG. 10 is a rear and bottom perspective view thereof.  
The broken lines in FIG. 4 represents unclaimed environment only and forms no part of the claimed design.

**1 Claim, 10 Drawing Sheets**



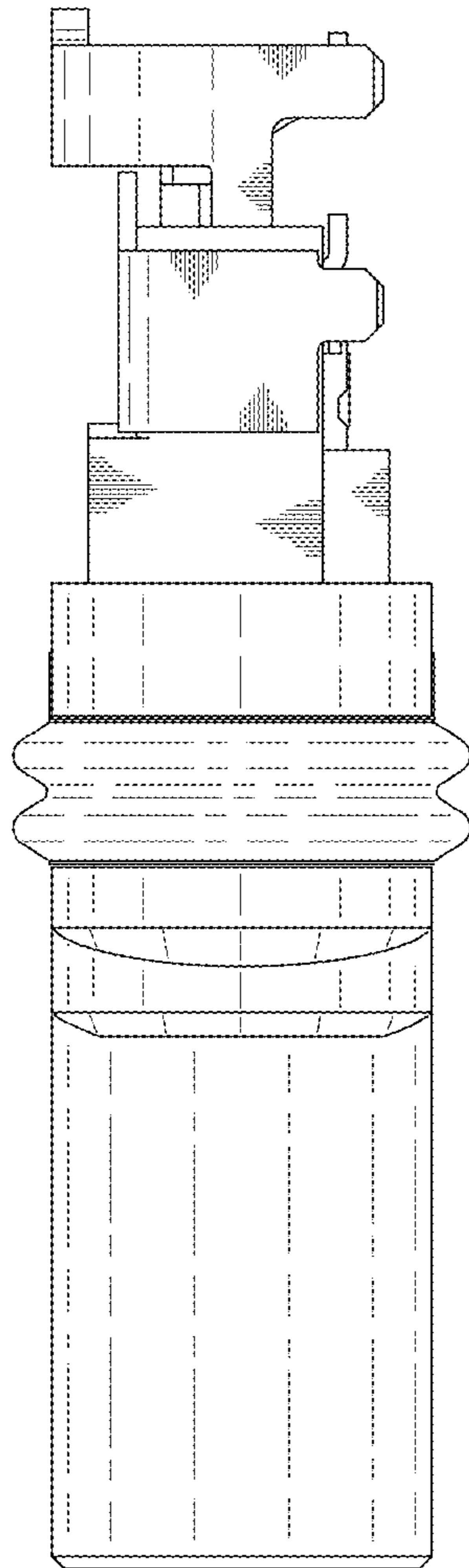


FIG.1

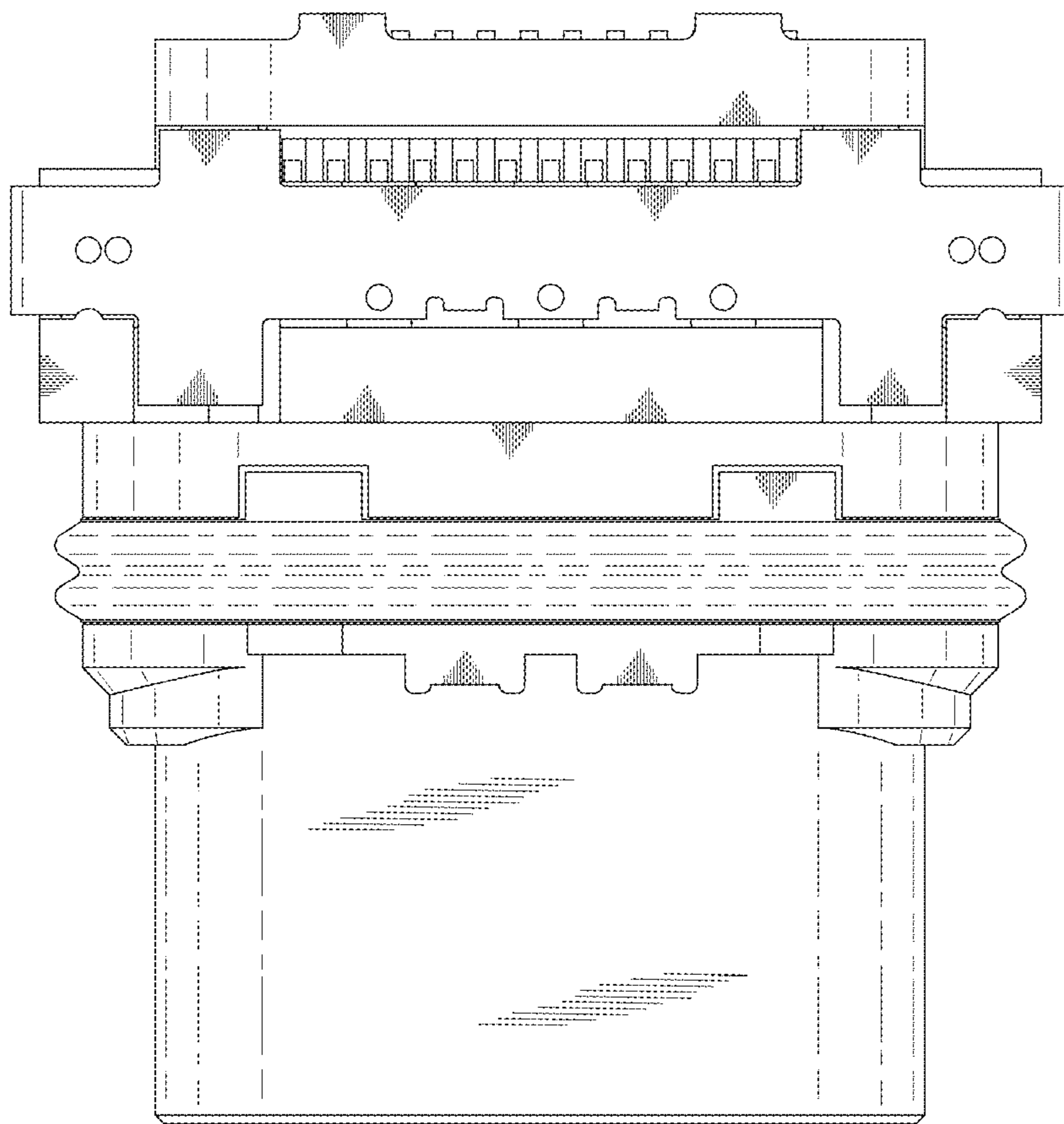


FIG.2

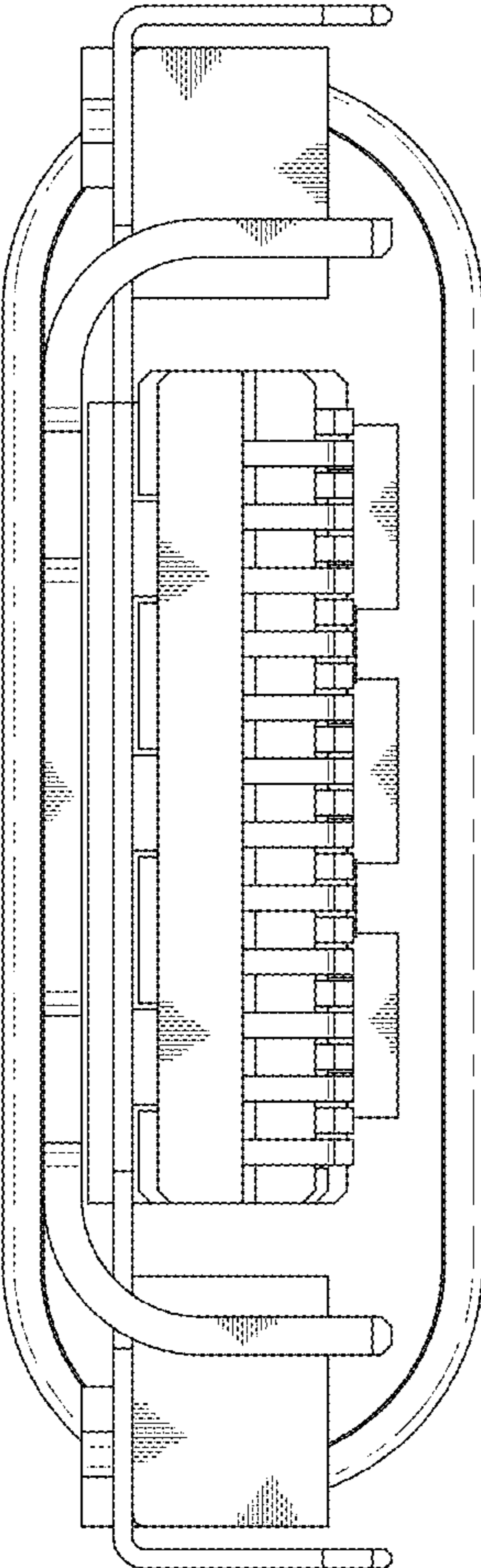


FIG.3

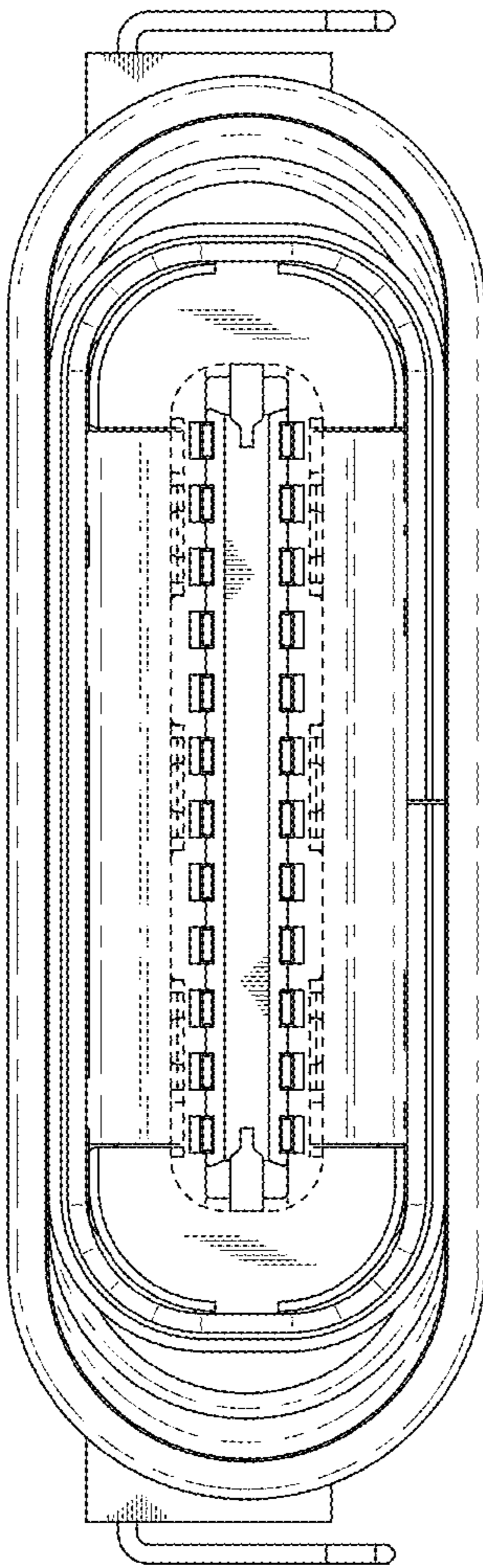


FIG.4

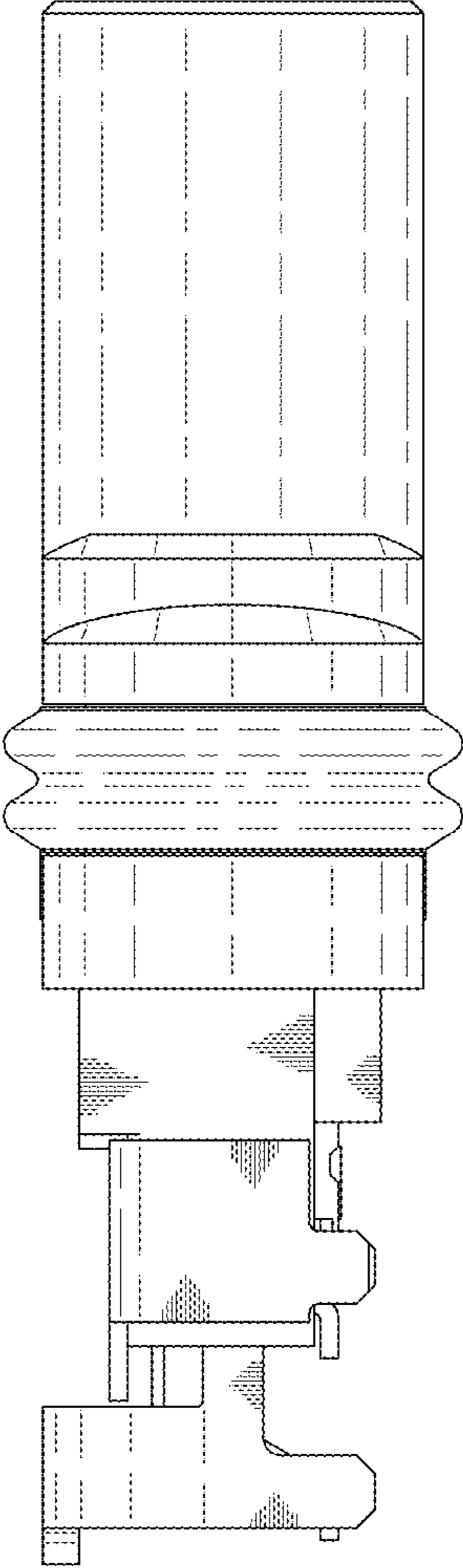


FIG.5



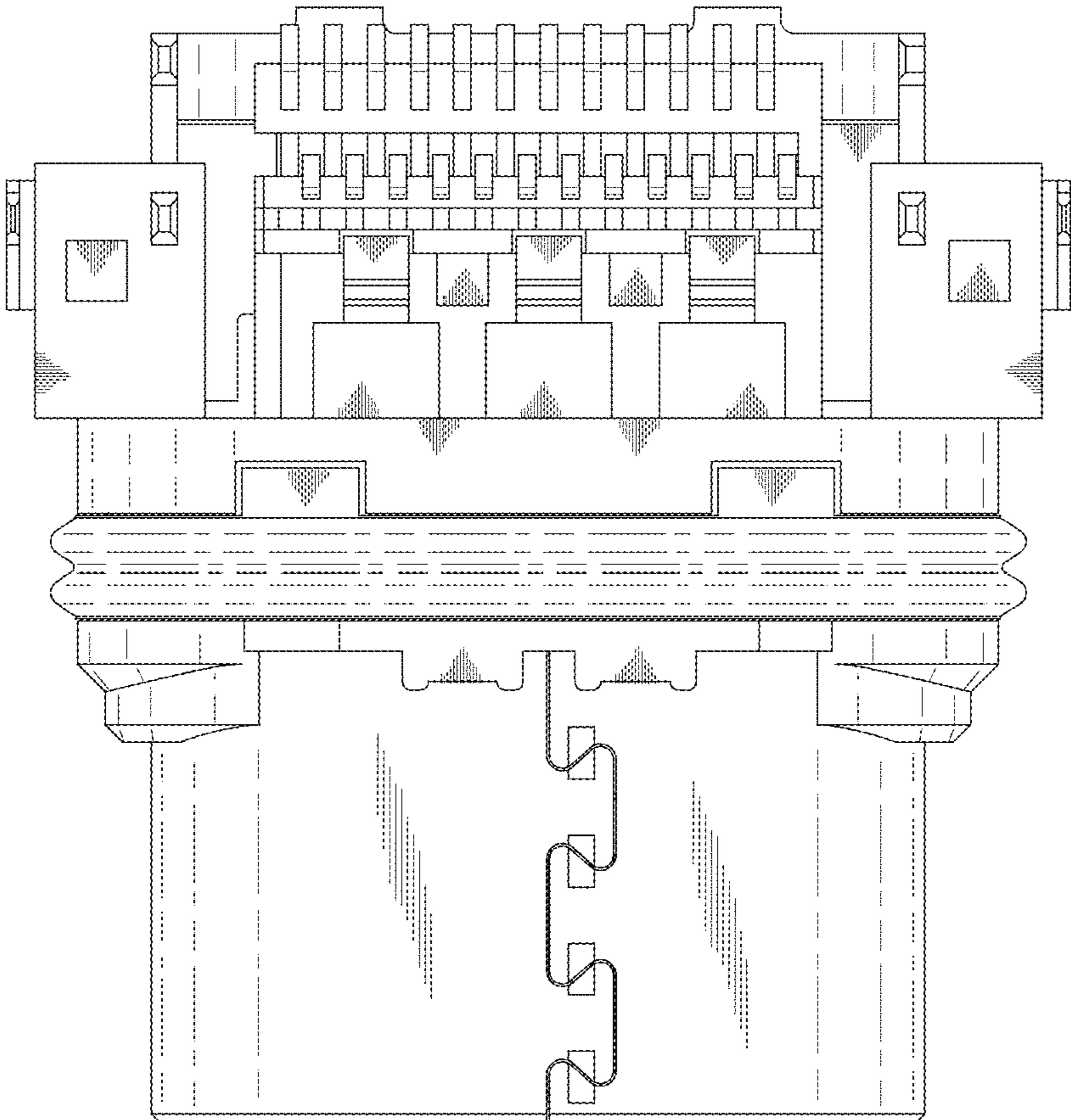


FIG.6

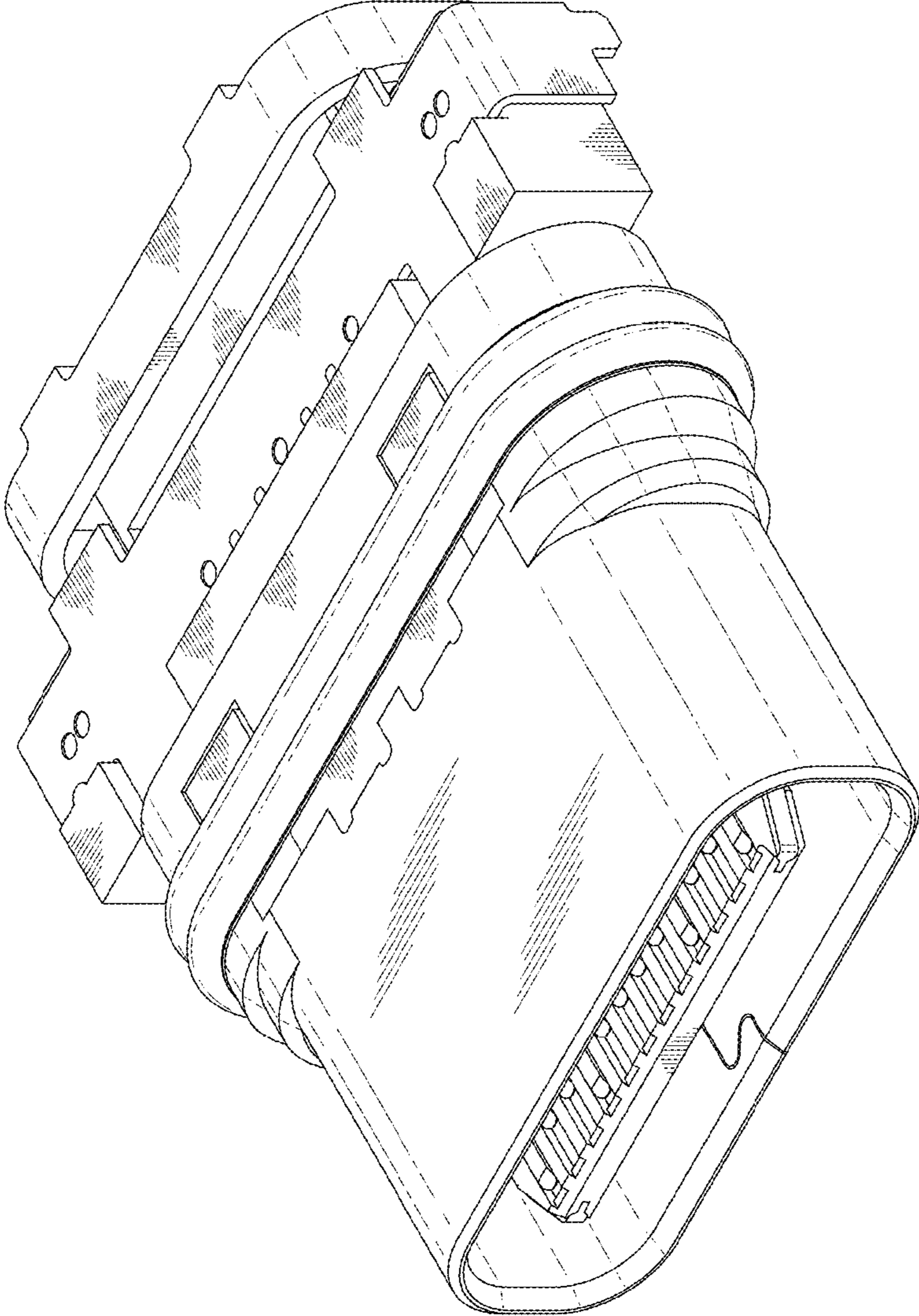


FIG.7



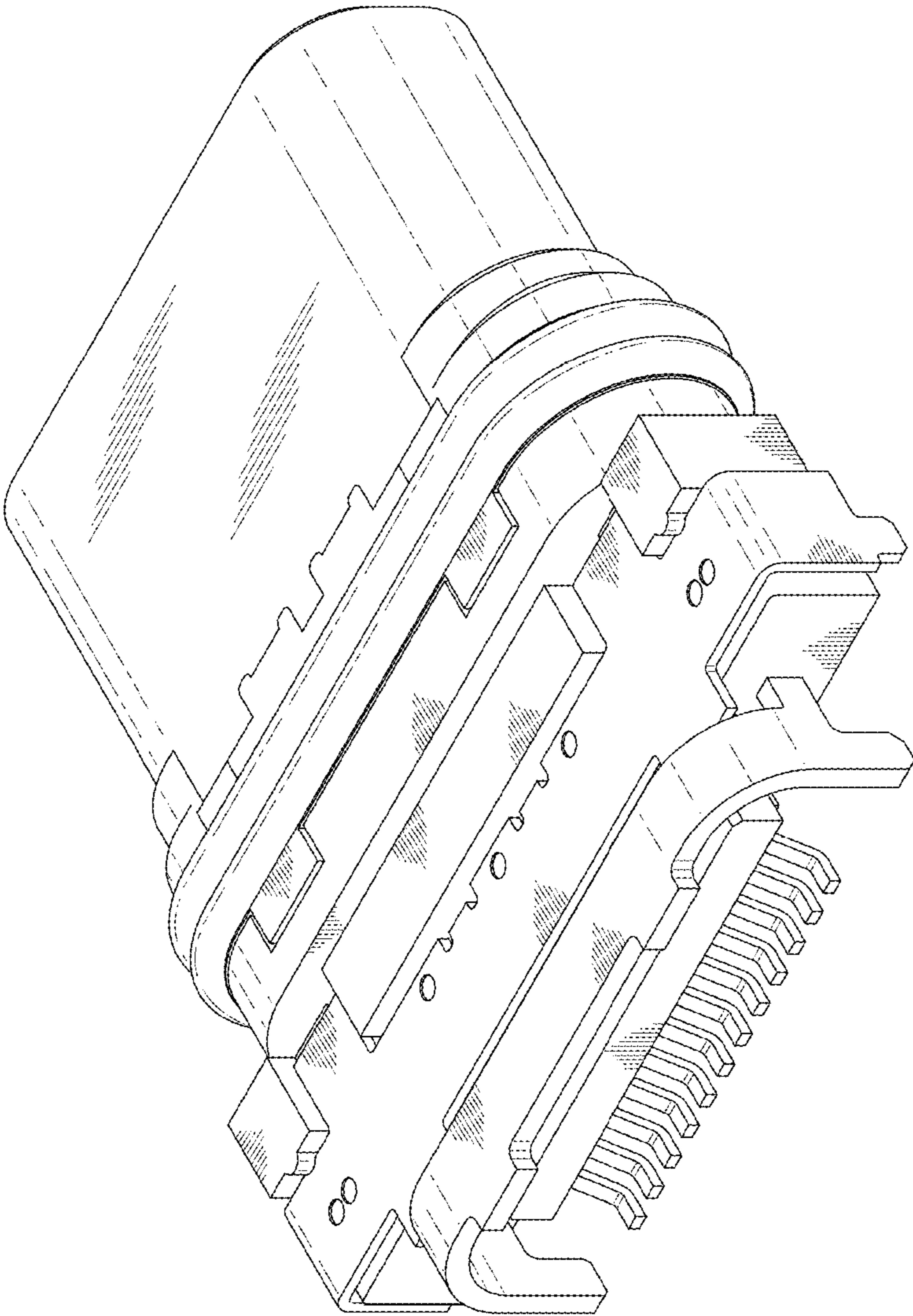


FIG.8

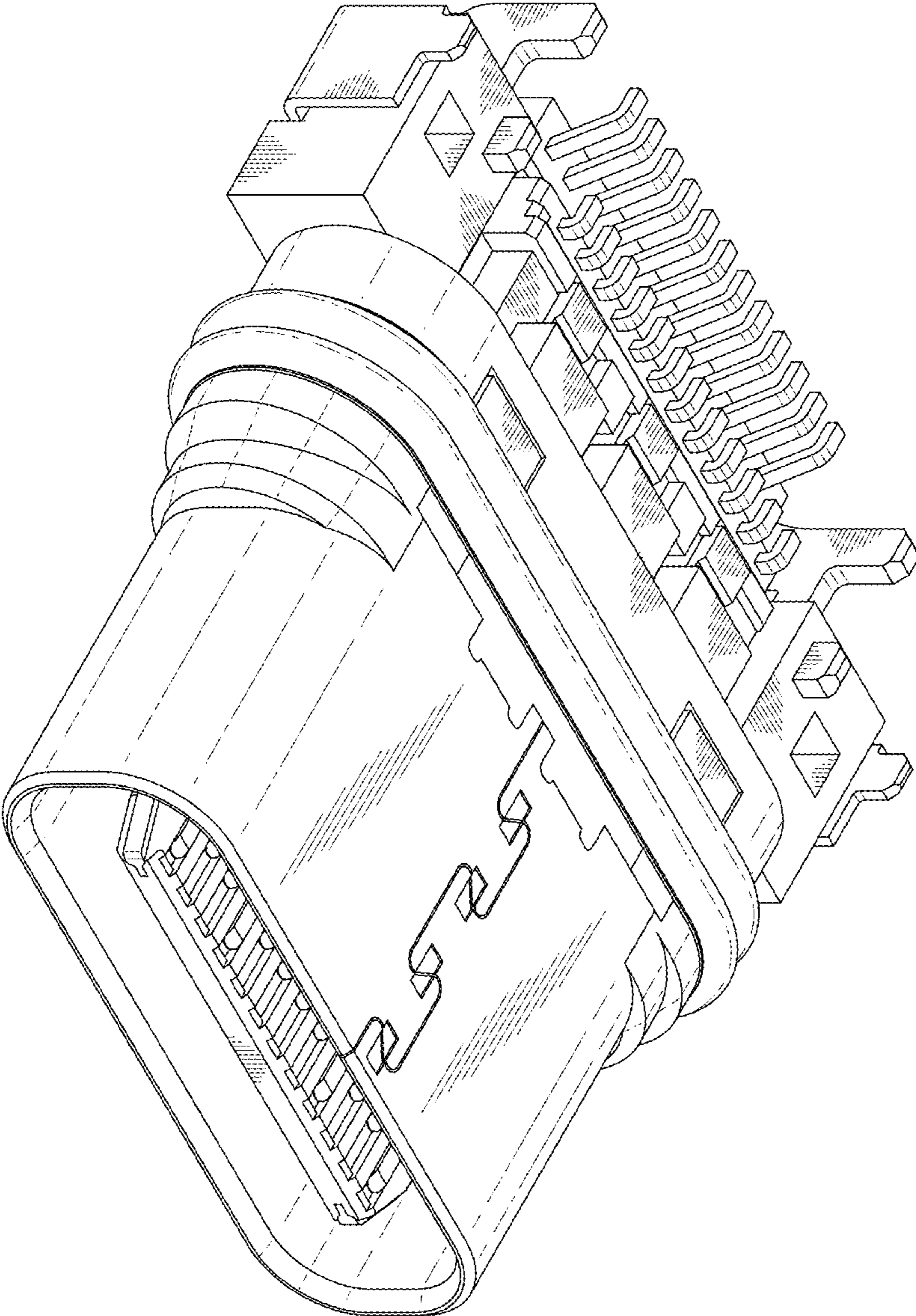


FIG.9

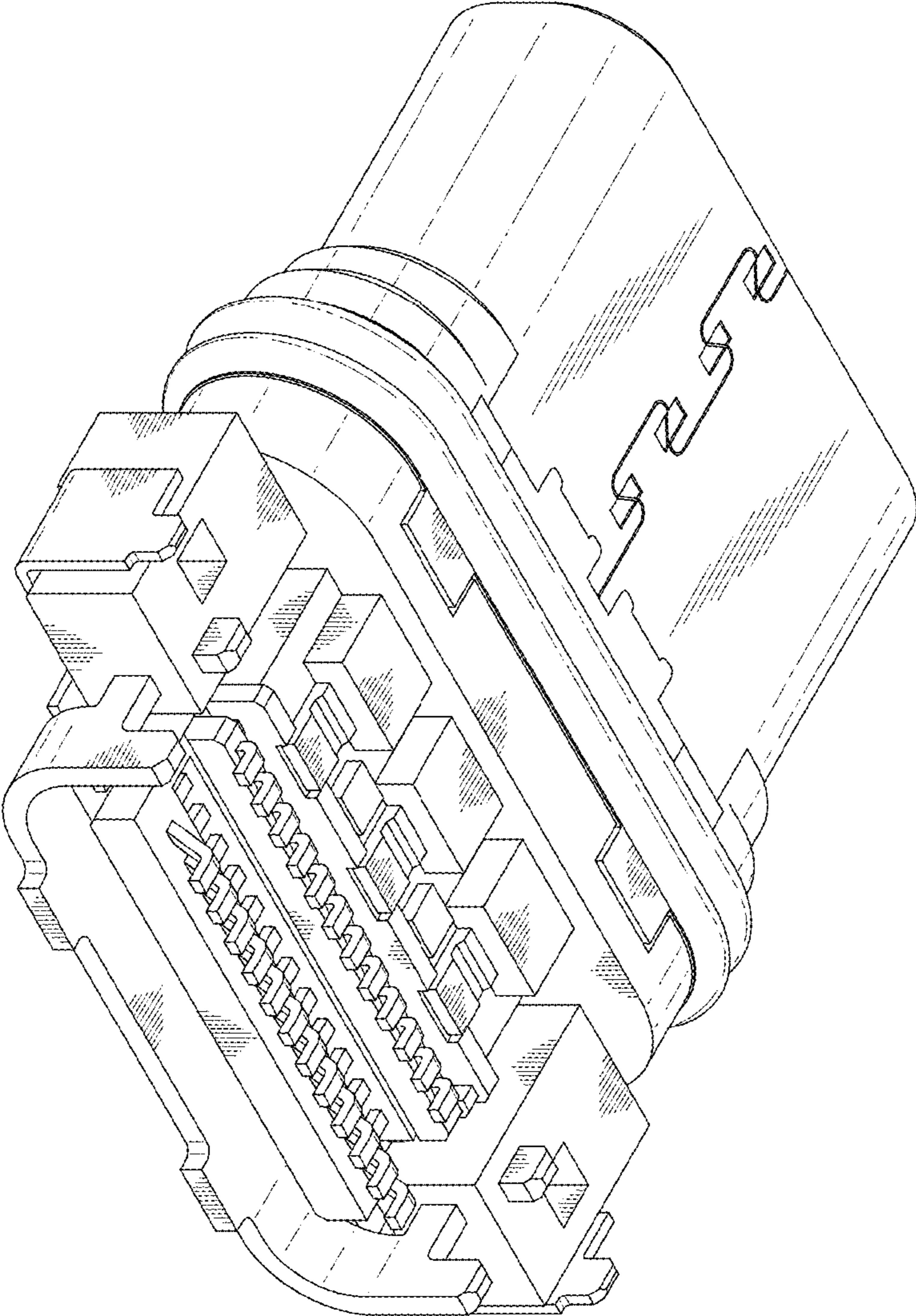


FIG.10