



US00D772165S

(12) **United States Design Patent**
Chien et al.

(10) **Patent No.:** **US D772,165 S**

(45) **Date of Patent:** **** Nov. 22, 2016**

(54) **ELECTRICAL CONNECTOR**

(71) Applicant: **KINNEXA, INC.**, Taipei (TW)

(72) Inventors: **Shin-Hao Chien**, Taipei (TW); **John Patrick Quinlan**, Taipei (TW)

(73) Assignee: **KINNEXA, INC.**, Taipei (TW)

(**) Term: **15 Years**

(21) Appl. No.: **29/536,537**

(22) Filed: **Aug. 18, 2015**

(30) **Foreign Application Priority Data**

Apr. 30, 2015 (TW) 104302270

(51) **LOC (10) Cl.** **13-03**

(52) **U.S. Cl.**
USPC **D13/147**

(58) **Field of Classification Search**
USPC D13/133, 146, 147, 154, 184, 199;
D14/432, 433, 435.1
CPC .. H01R 24/60; H01R 24/70; H01R 13/5205;
H01R 13/5219; H01R 13/642; H01R
13/6471; H01R 13/6581; H01R 13/6582;
H01R 13/6285; H01R 13/6591; H01R
13/6596

See application file for complete search history.

(56) **References Cited**

U.S. PATENT DOCUMENTS

D517,993 S * 3/2006 Su D13/147
D744,428 S * 12/2015 Rodriguez D13/147

2015/0303623 A1* 10/2015 Kao H01R 13/6583
439/607.04
2015/0364871 A1* 12/2015 Lin H01R 13/6581
439/607.58
2016/0134056 A1* 5/2016 Chen H01R 13/642
439/217
2016/0149348 A1* 5/2016 Kao H01R 13/6585
439/607.05

* cited by examiner

Primary Examiner — Daniel Bui

(74) *Attorney, Agent, or Firm* — Leong C. Lei

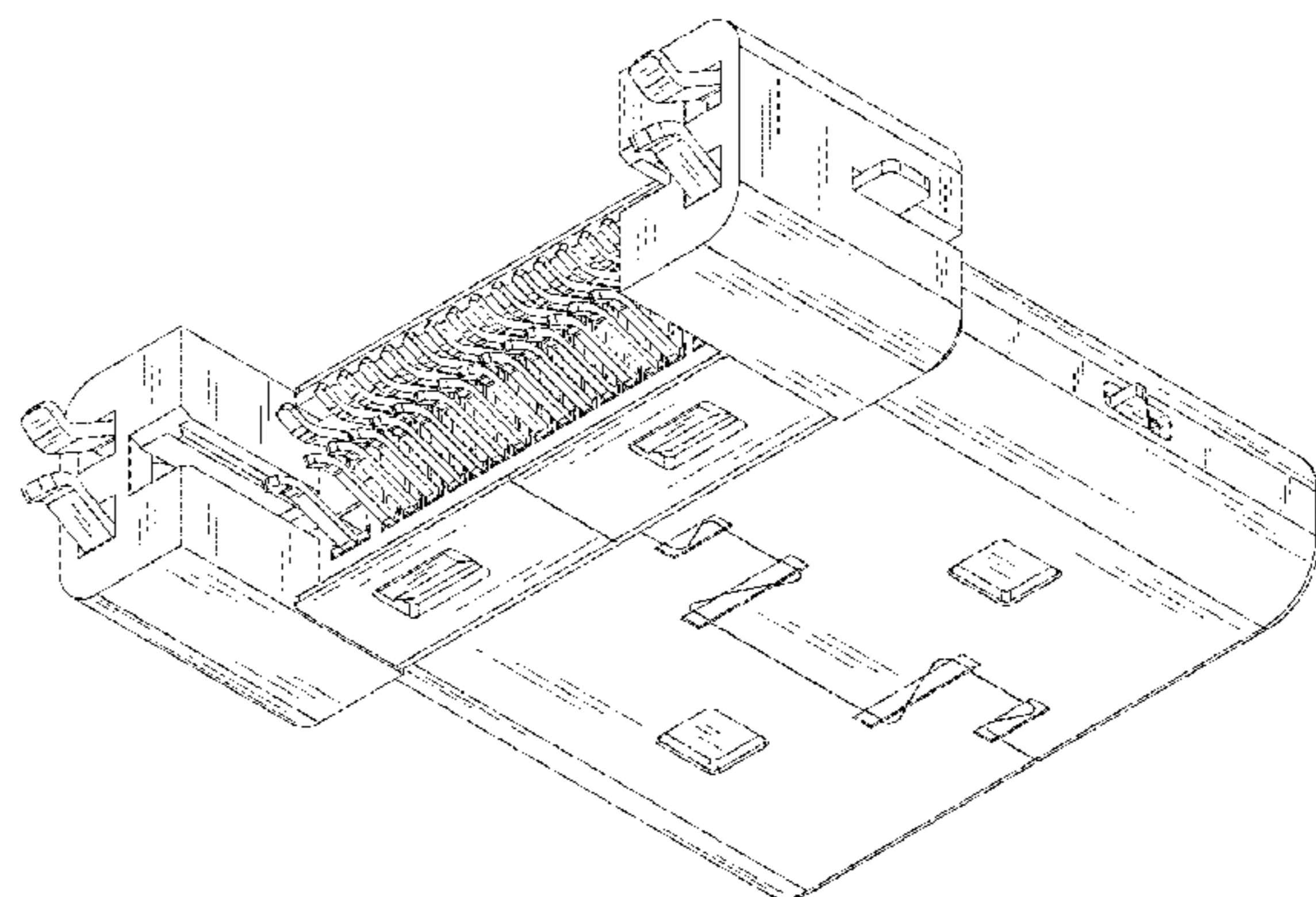
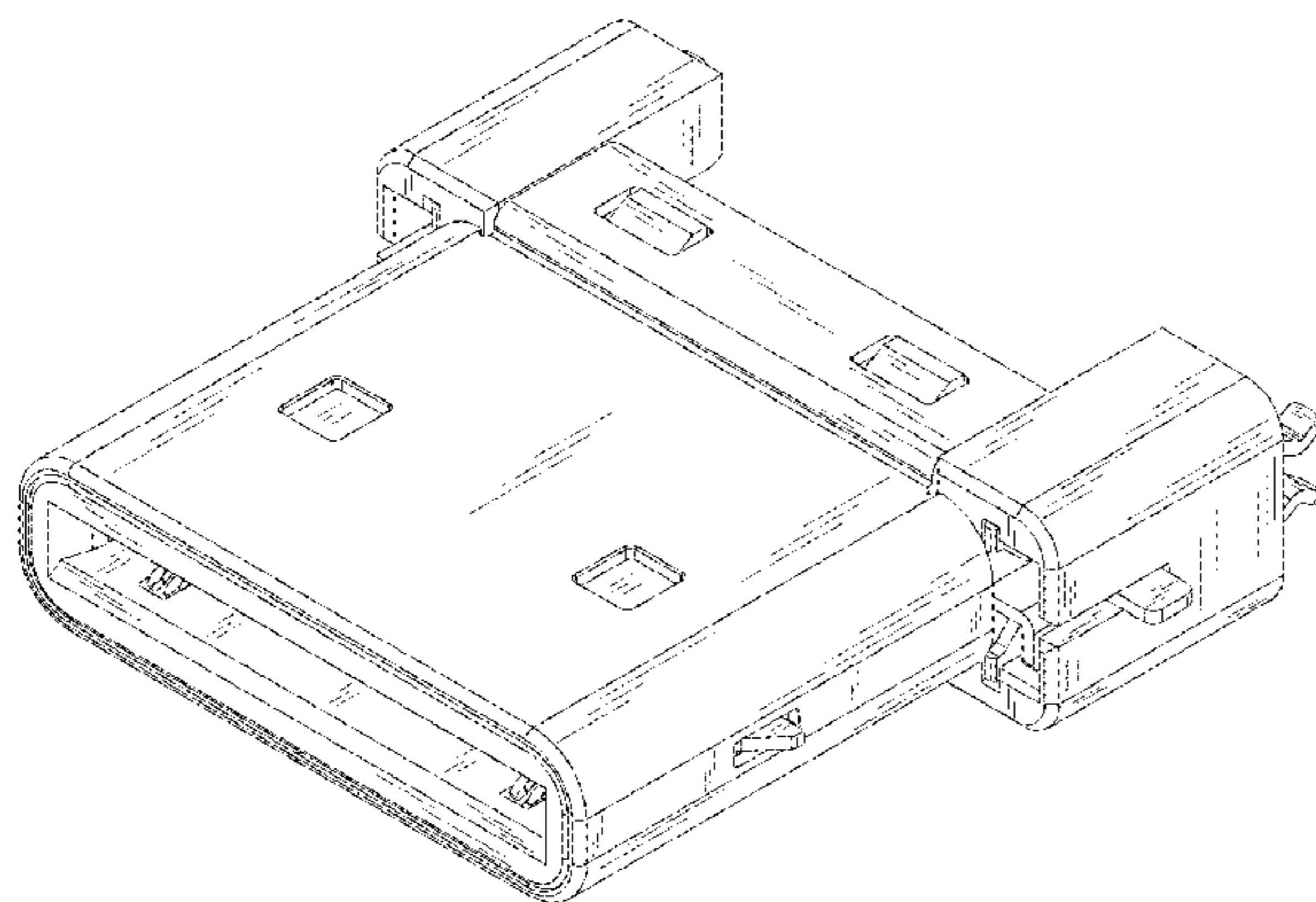
(57) **CLAIM**

The ornamental design for an electrical connector, as shown and described.

DESCRIPTION

FIG. 1 is a top, front and right perspective view of an electrical connector showing our new design; FIG. 2 is a front elevational view thereof; FIG. 3 is a rear elevational view thereof; FIG. 4 is a left elevational view thereof; FIG. 5 is a right elevational view thereof; FIG. 6 is a top plan view thereof; FIG. 7 is a bottom plan view thereof; and, FIG. 8 is a bottom, rear and left perspective view thereof. The broken line in FIG. 2 represents unclaimed environment only and forms no part of the claimed design.

1 Claim, 8 Drawing Sheets



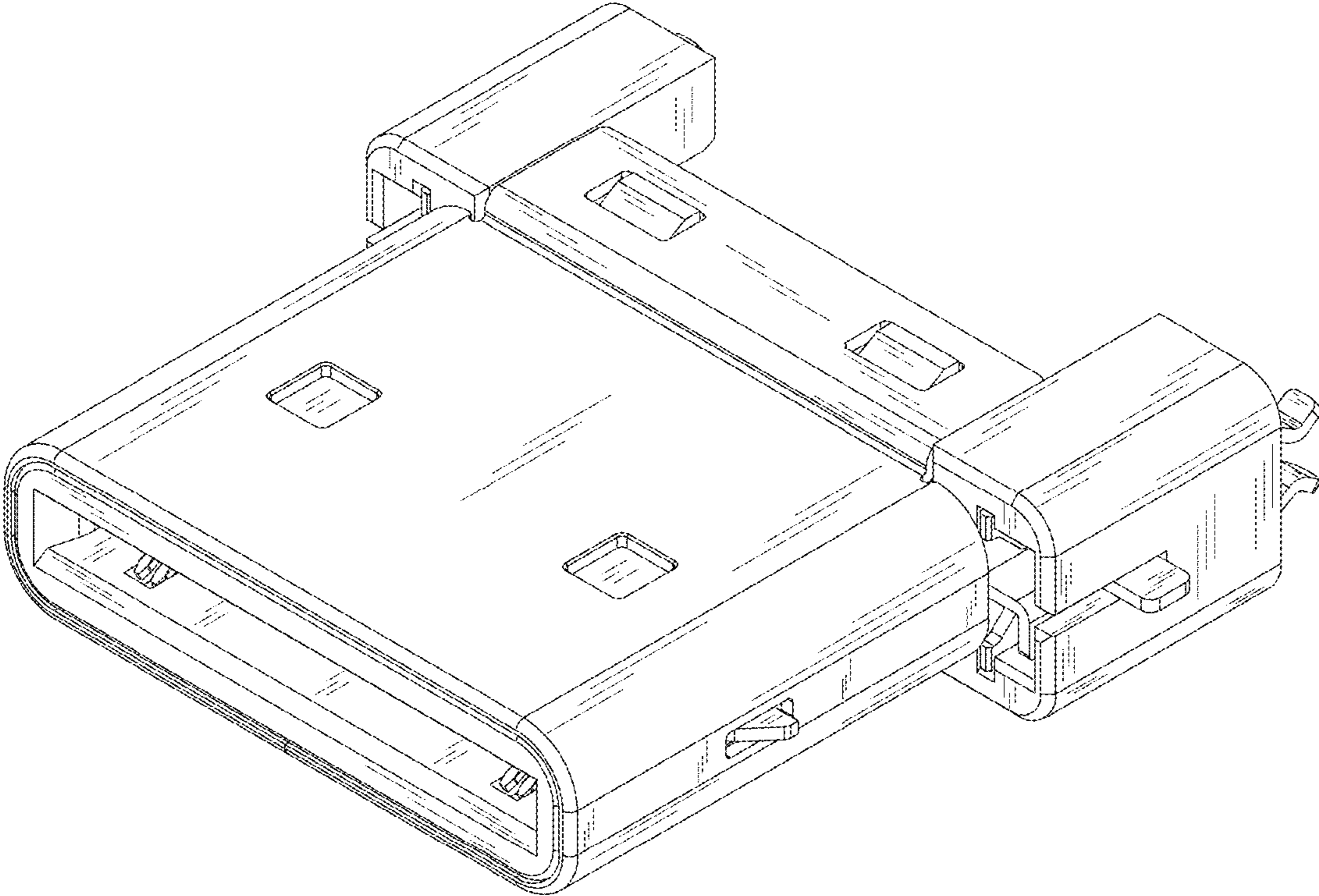


FIG. 1

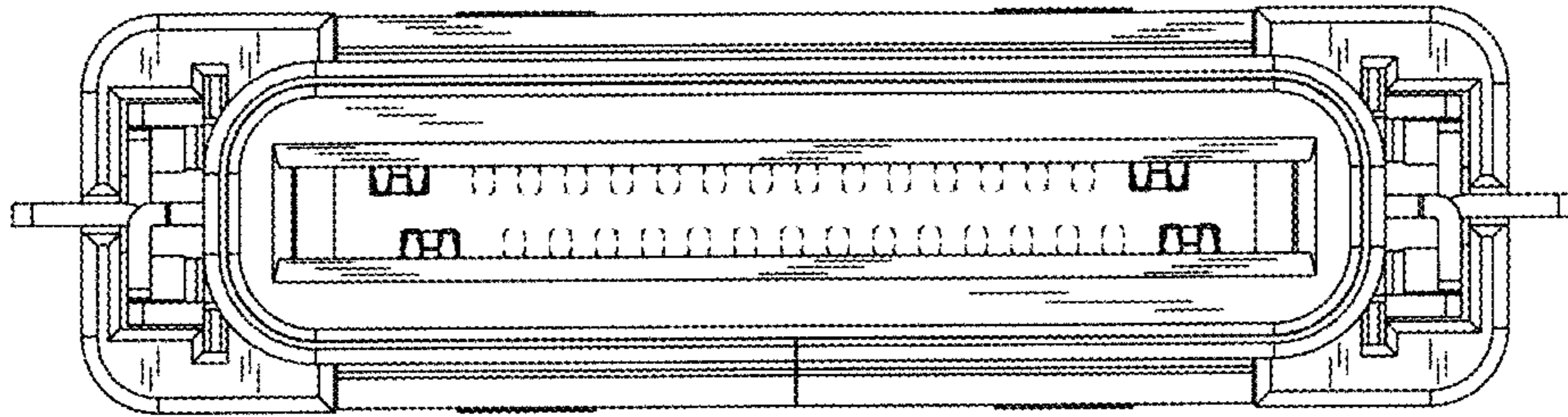


FIG. 2

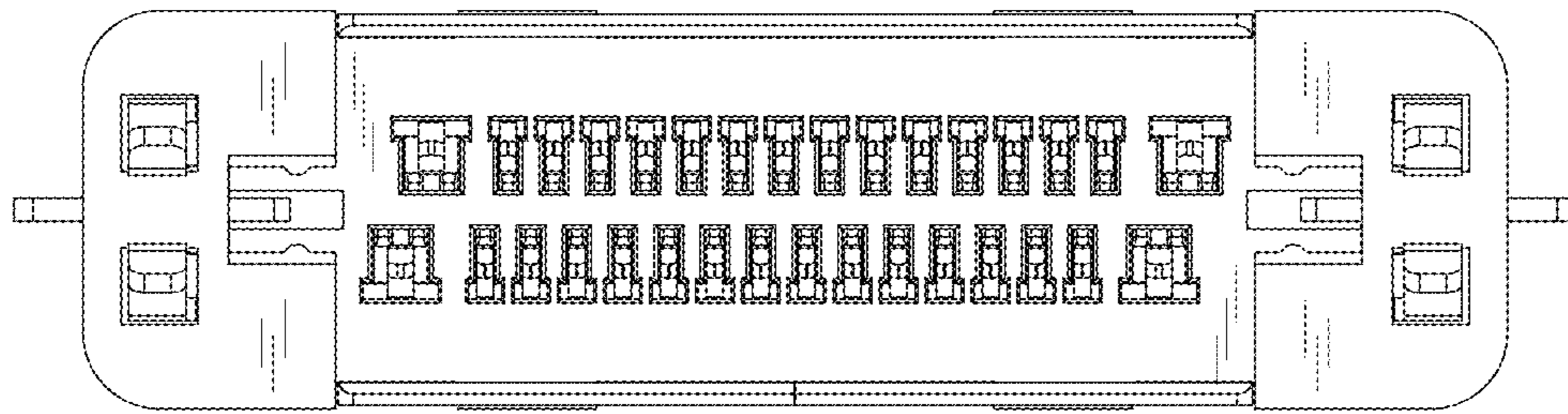


FIG. 3

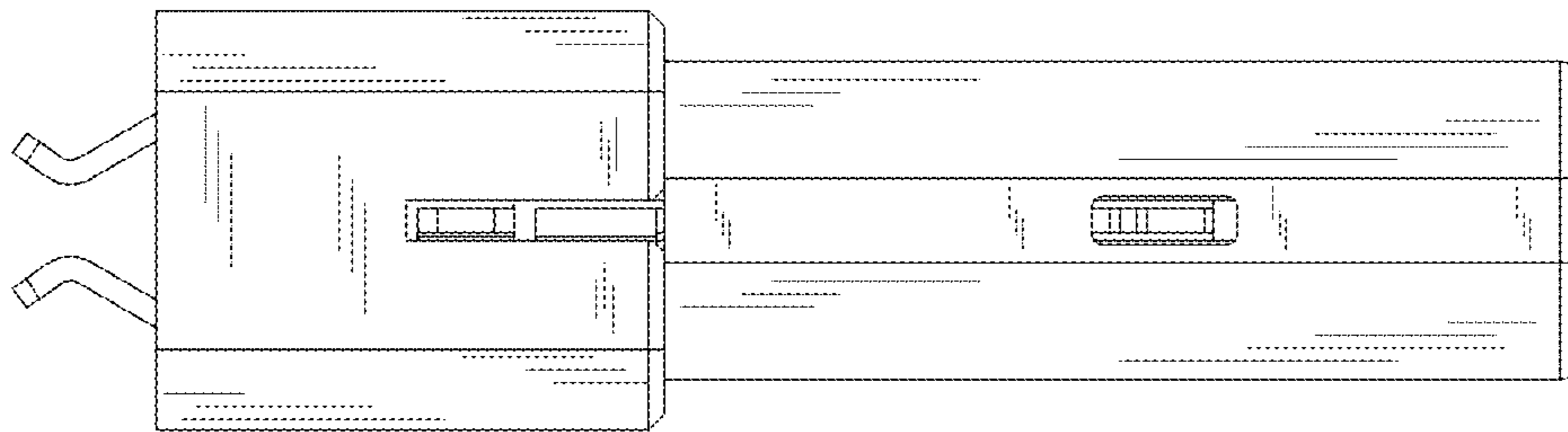


FIG. 4

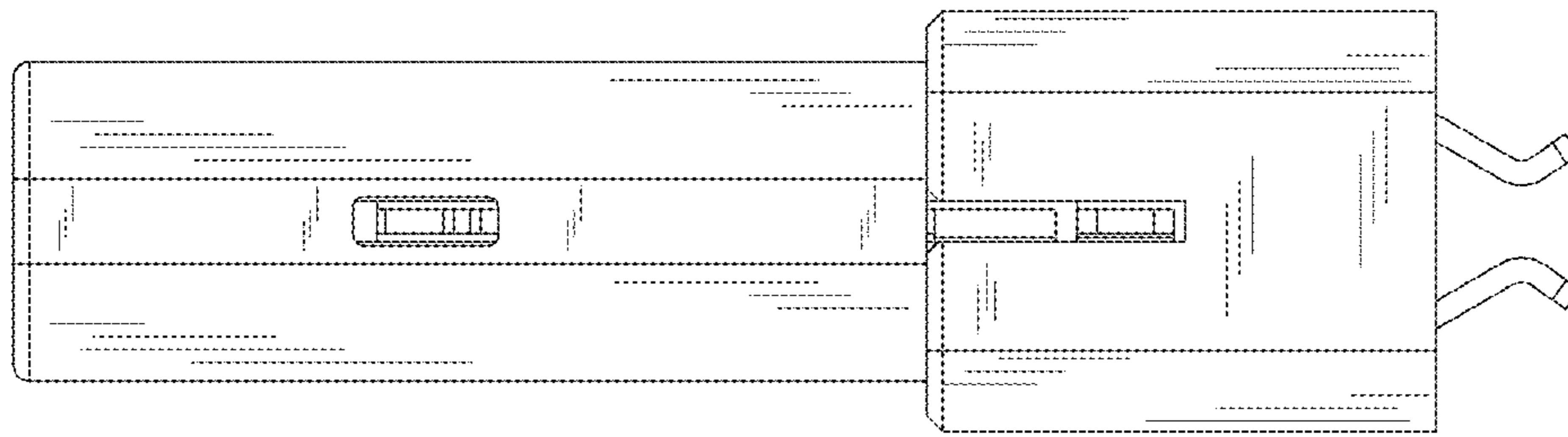


FIG. 5

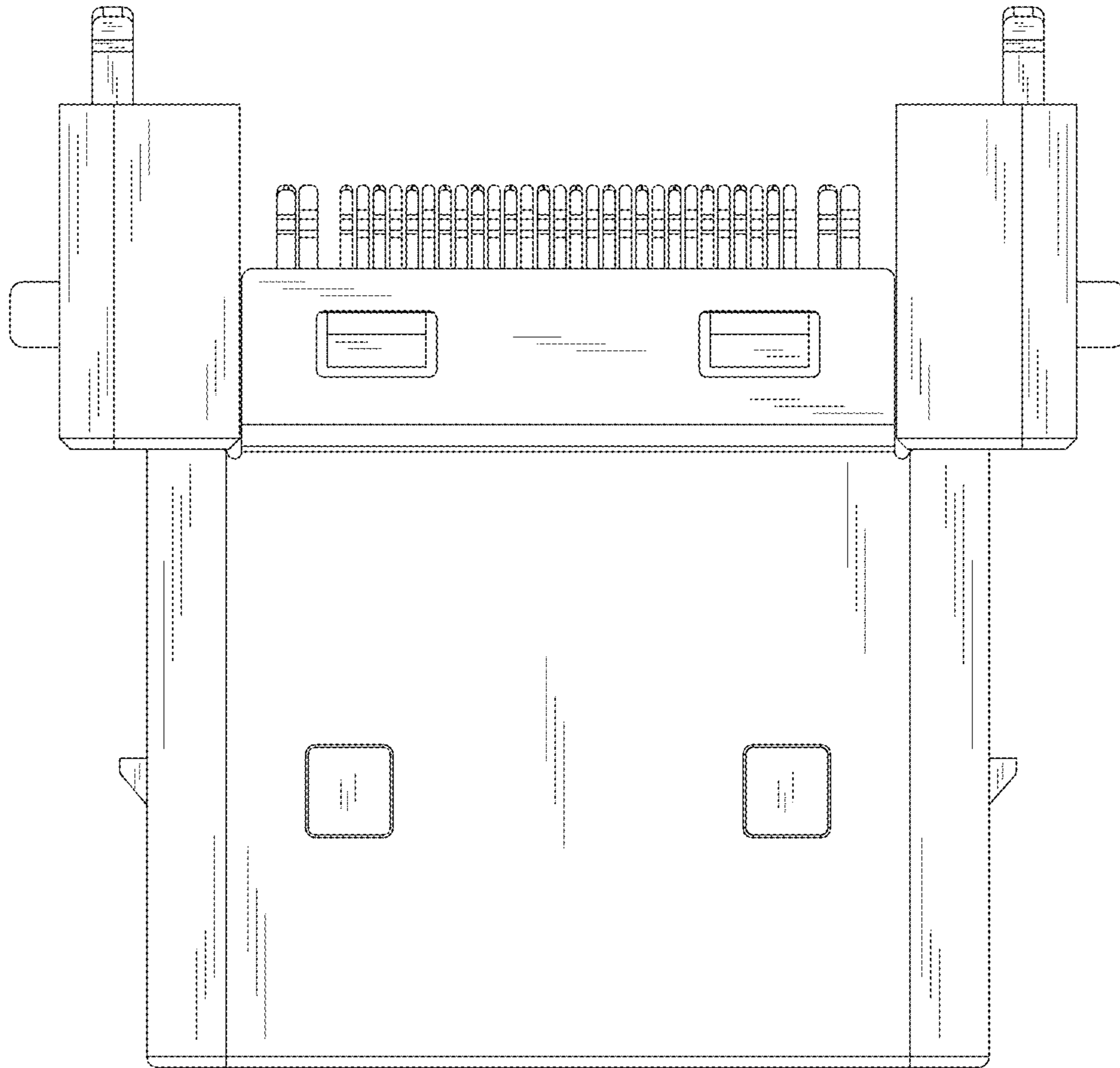


FIG. 6

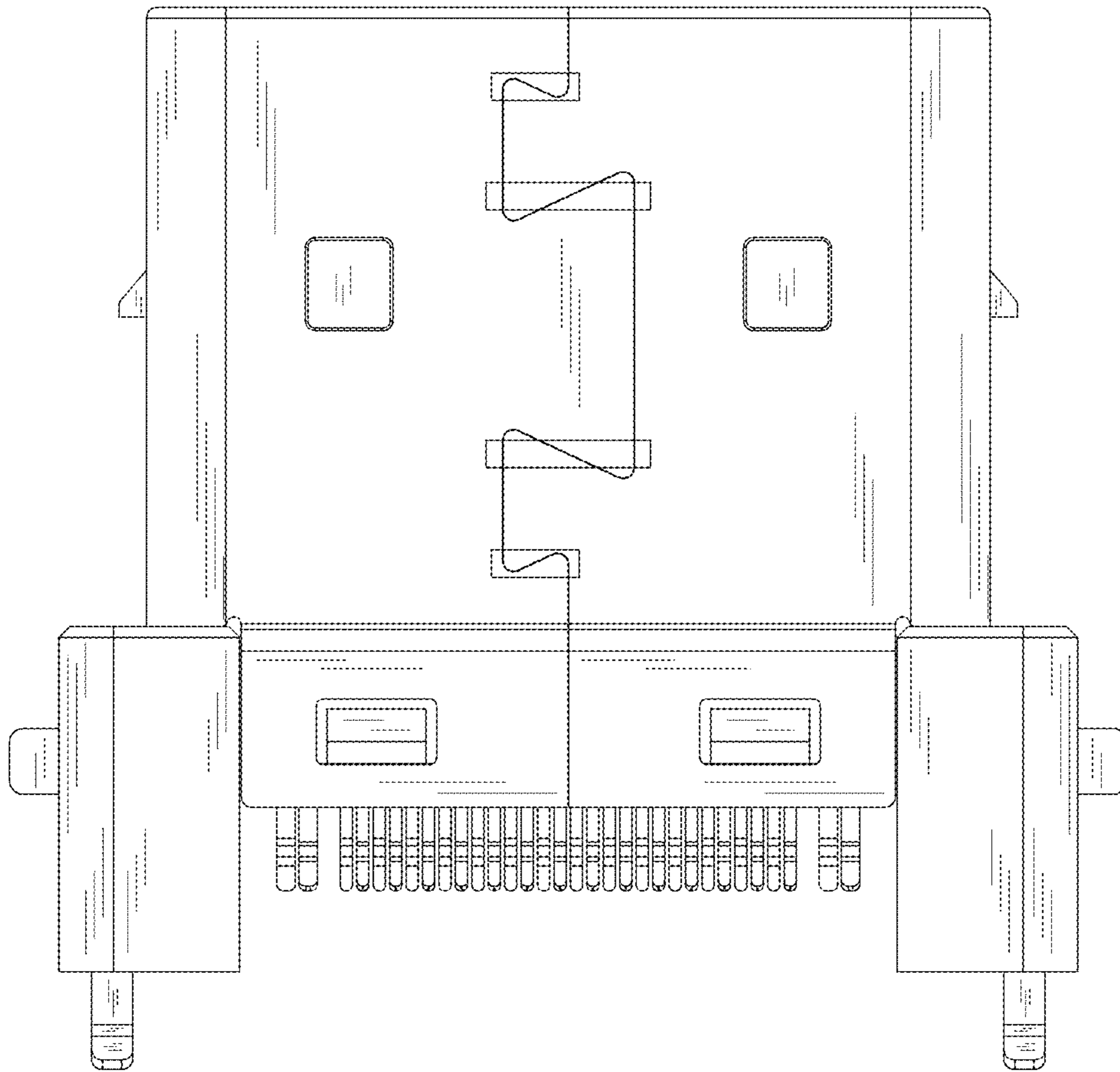


FIG. 7

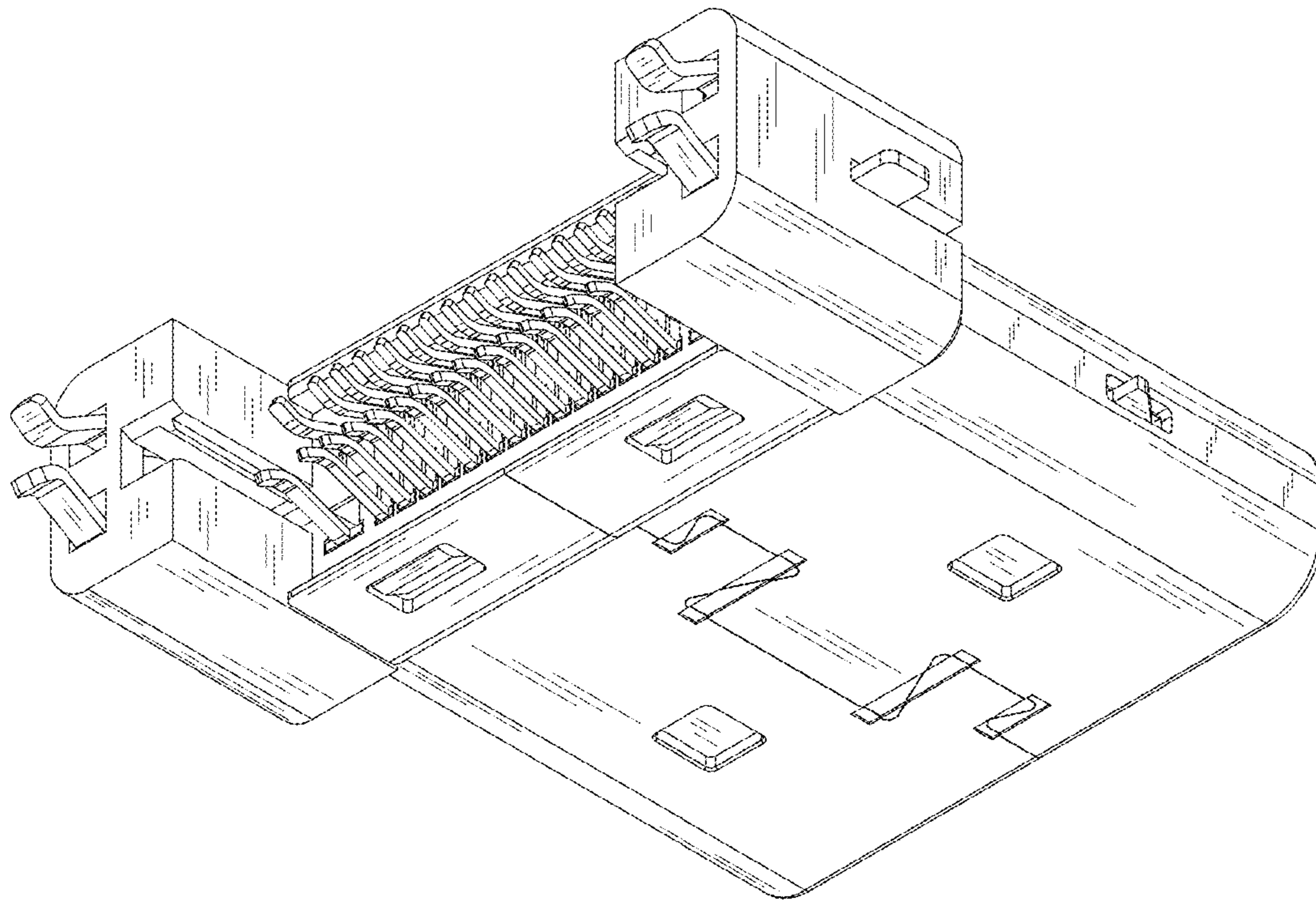


FIG. 8