



US00D772164S

(12) **United States Design Patent** (10) **Patent No.:** **US D772,164 S**
Votel et al. (45) **Date of Patent:** **** Nov. 22, 2016**

(54) **BATTERY BOOT**
(71) Applicant: **Tenacious Holdings, Inc.**, St. Paul, MN (US)
(72) Inventors: **Thomas Votel**, Sunfish Lake, MN (US); **Nate Bohmbach**, Lakeville, MN (US); **Brent Velenchenko**, St. Paul, MN (US)
(73) Assignee: **Tenacious Holdings, Inc.**, St. Paul, MN (US)
(**) Term: **15 Years**
(21) Appl. No.: **29/528,724**
(22) Filed: **Jun. 1, 2015**
(51) **LOC (10) Cl.** **13-02**
(52) **U.S. Cl.**
USPC **D13/119**
(58) **Field of Classification Search**
USPC 224/904, 250; D3/228; 269/16; D13/119, 156, 108, 103, 104, 133, 110, D13/120, 107; D8/70; D9/435
CPC A45F 2200/0575; A45F 5/02; A45F 5/00; B25F 5/00; H01R 13/6335
See application file for complete search history.

(56) **References Cited**
U.S. PATENT DOCUMENTS
3,345,602 A 10/1967 Pontious
D244,665 S * 6/1977 Krom D8/70
5,265,365 A * 11/1993 Finn F41C 23/00
224/239
5,347,684 A * 9/1994 Jackson A47J 45/10
16/421
5,401,591 A 3/1995 Bishay et al.
D377,304 S * 1/1997 Hogue D8/70
D384,640 S * 10/1997 Gibbs D13/119
5,752,850 A * 5/1998 Ziegler H01R 13/6335
439/484
5,782,821 A 7/1998 Couch
5,810,525 A * 9/1998 Ector, Sr. B25F 5/029
206/362
6,019,404 A * 2/2000 Pasquale F41A 17/44
224/150

D424,517 S * 5/2000 Hurst D13/119
6,098,558 A * 8/2000 Baird B25F 5/029
112/413
6,161,256 A * 12/2000 Quiring B25F 5/006
16/421
D437,998 S * 2/2001 Williamson D3/228
6,259,228 B1 * 7/2001 Becker H01M 2/1072
320/105
D484,384 S 12/2003 Ghode et al.
6,655,560 B2 * 12/2003 Kahn A45F 5/02
224/197
6,671,931 B1 * 1/2004 Duncan B25F 5/006
16/430
D488,042 S * 4/2004 Enck D8/70
D515,312 S * 2/2006 Clark D3/222
D601,088 S * 9/2009 Scheucher D13/103
D602,862 S * 10/2009 Reed D13/119
D610,429 S 2/2010 Olson
7,703,547 B2 * 4/2010 Manacorda B25F 5/006
16/431
8,011,541 B2 9/2011 Mikesell et al.
(Continued)

OTHER PUBLICATIONS

Ingersoll Rand Battery Boot Advertisement. Date printed Jun. 3, 2015. From Flexibleindustrial.com.
(Continued)

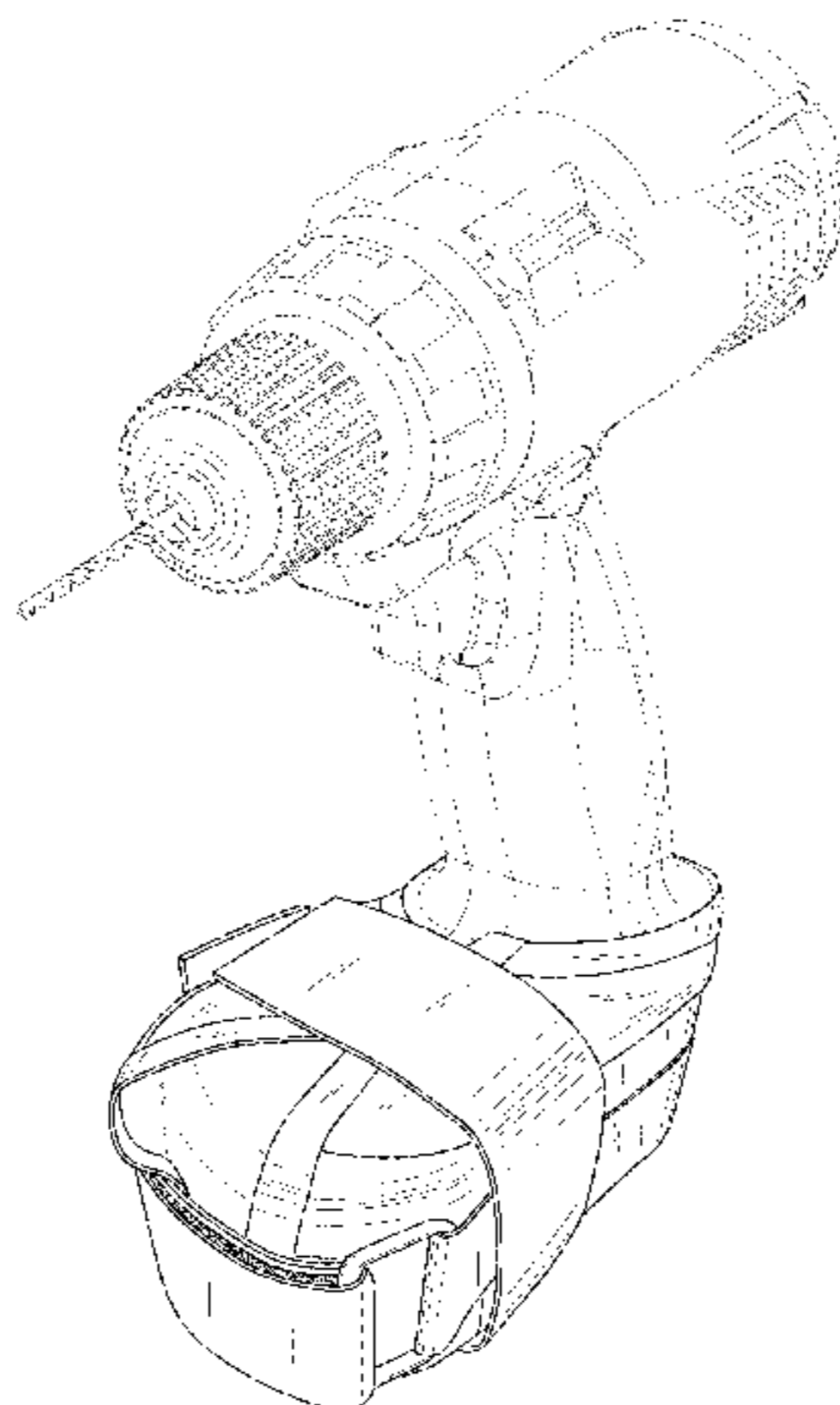
Primary Examiner — Derrick Holland
Assistant Examiner — Jennifer O King
(74) *Attorney, Agent, or Firm* — Skaar Ulbrich Macari, P.A.

(57) **CLAIM**
We claim the ornamental design for a battery boot, as shown and described.

DESCRIPTION

FIG. 1 is a perspective view of our battery boot design; FIG. 2 is a side elevation view of thereof; FIG. 3 is a side elevation view thereof; FIG. 4 is a front elevation view thereof; FIG. 5 is a rear elevation view thereof; FIG. 6 is a top plan view thereof; and, FIG. 7 is a bottom plan view thereof. The broken lines shown represent unclaimed subject matter and form no part of the claimed design.

1 Claim, 7 Drawing Sheets



(56)

References Cited

U.S. PATENT DOCUMENTS

D741,060 S * 10/2015 Votel D3/228
2006/0237498 A1 * 10/2006 Piatt, Sr. A45F 5/02
224/269
2010/0147912 A1 6/2010 Salentine
2014/0097217 A1 4/2014 Walsh

OTHER PUBLICATIONS

Matco Tools Battery Boot Advertisement. Date printed: Jun. 3, 2015. From: matcotools.com.
Tool@rrest Power Tool Wrap advertisement. Date printed: Jun. 3, 2015. From: toolarrest.com.

* cited by examiner

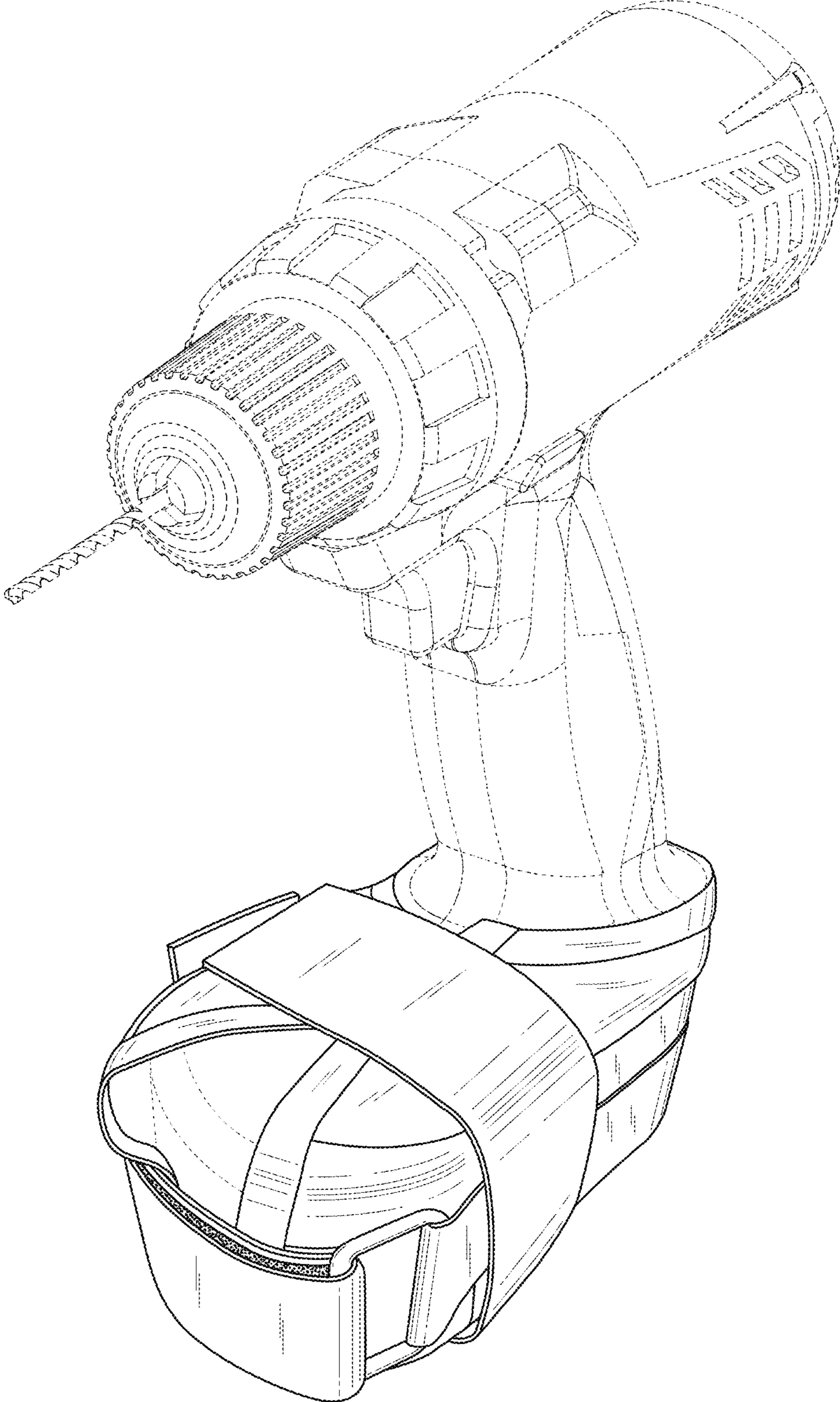


Fig. 1

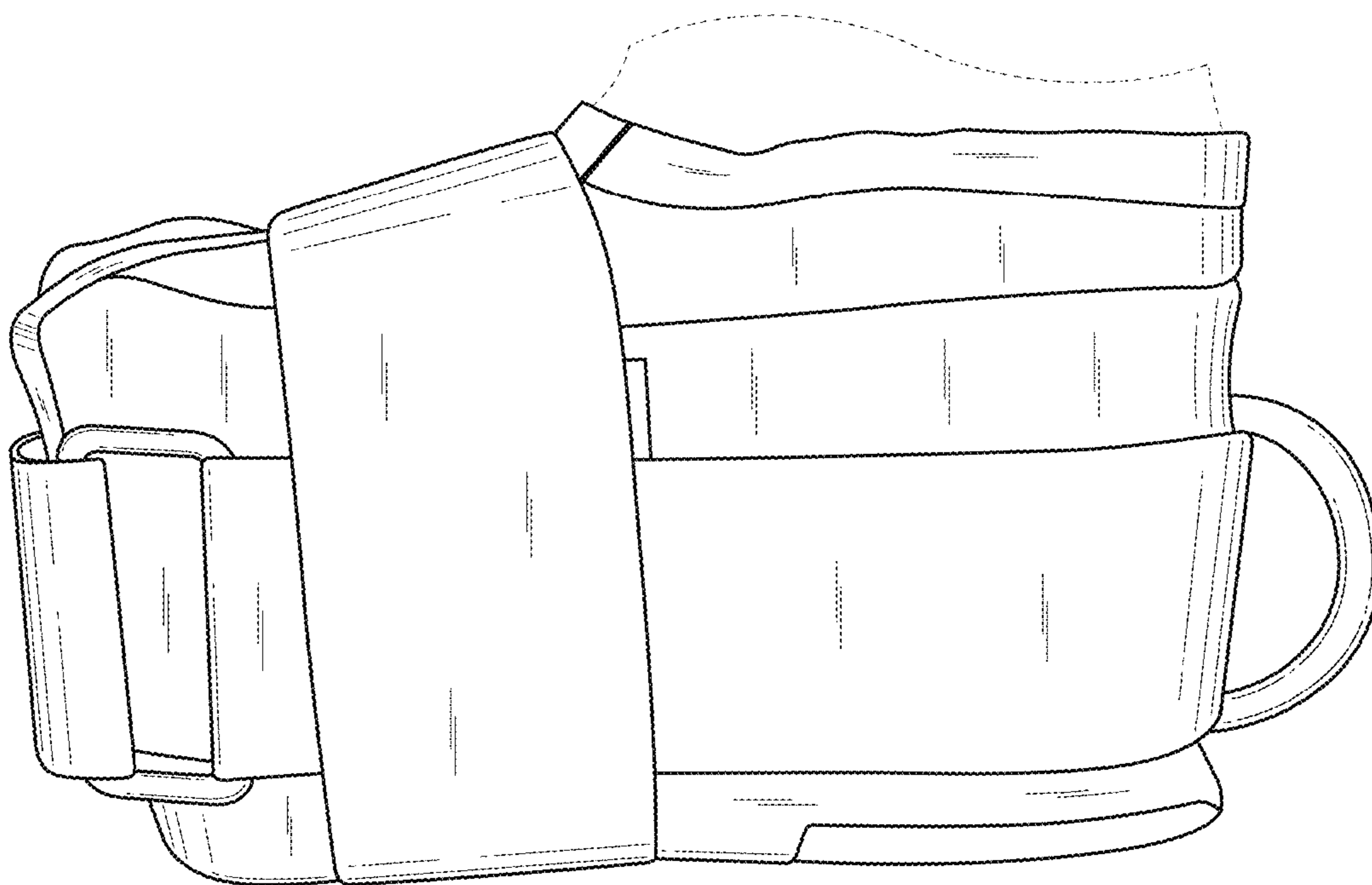


Fig. 2

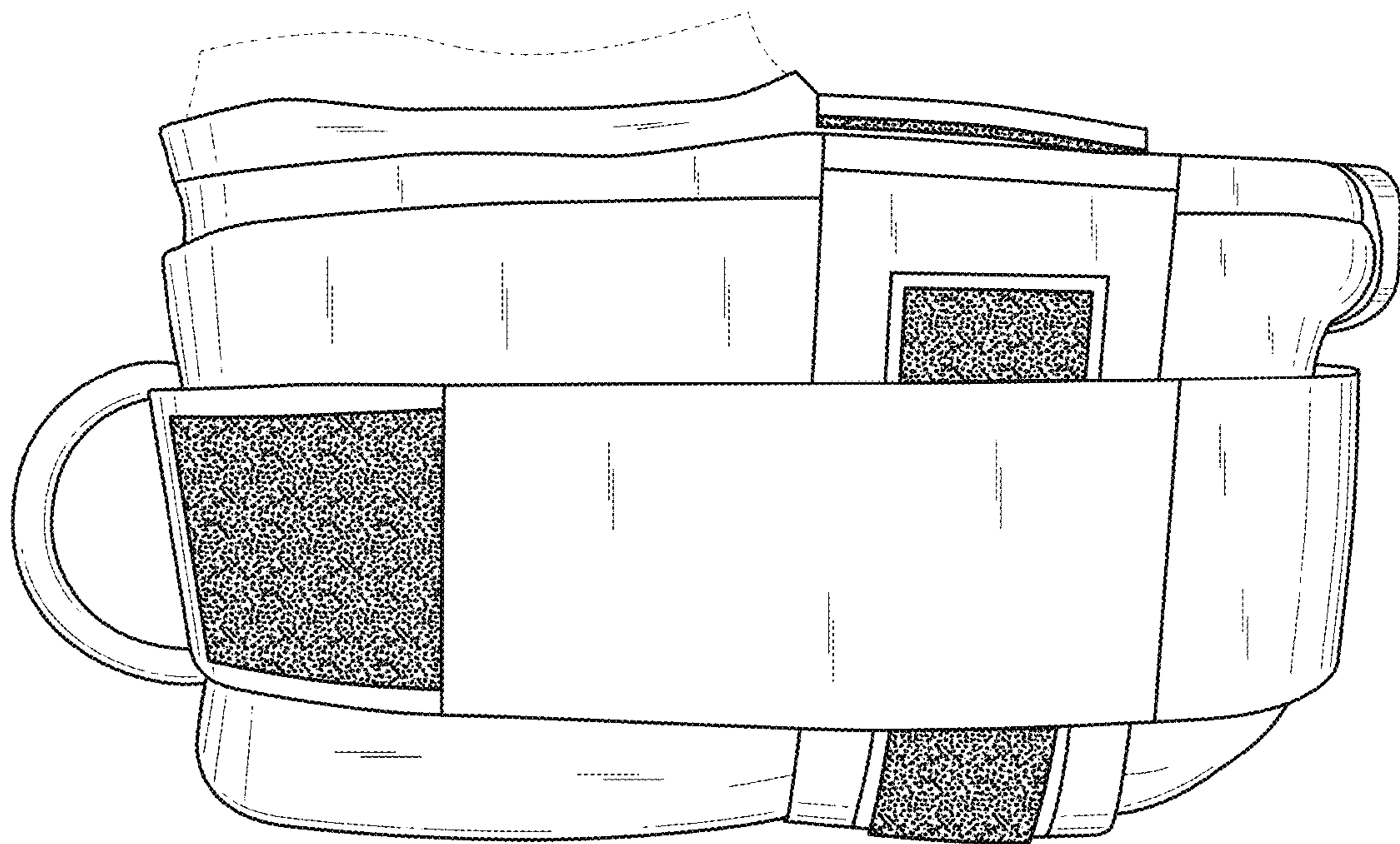


Fig. 3

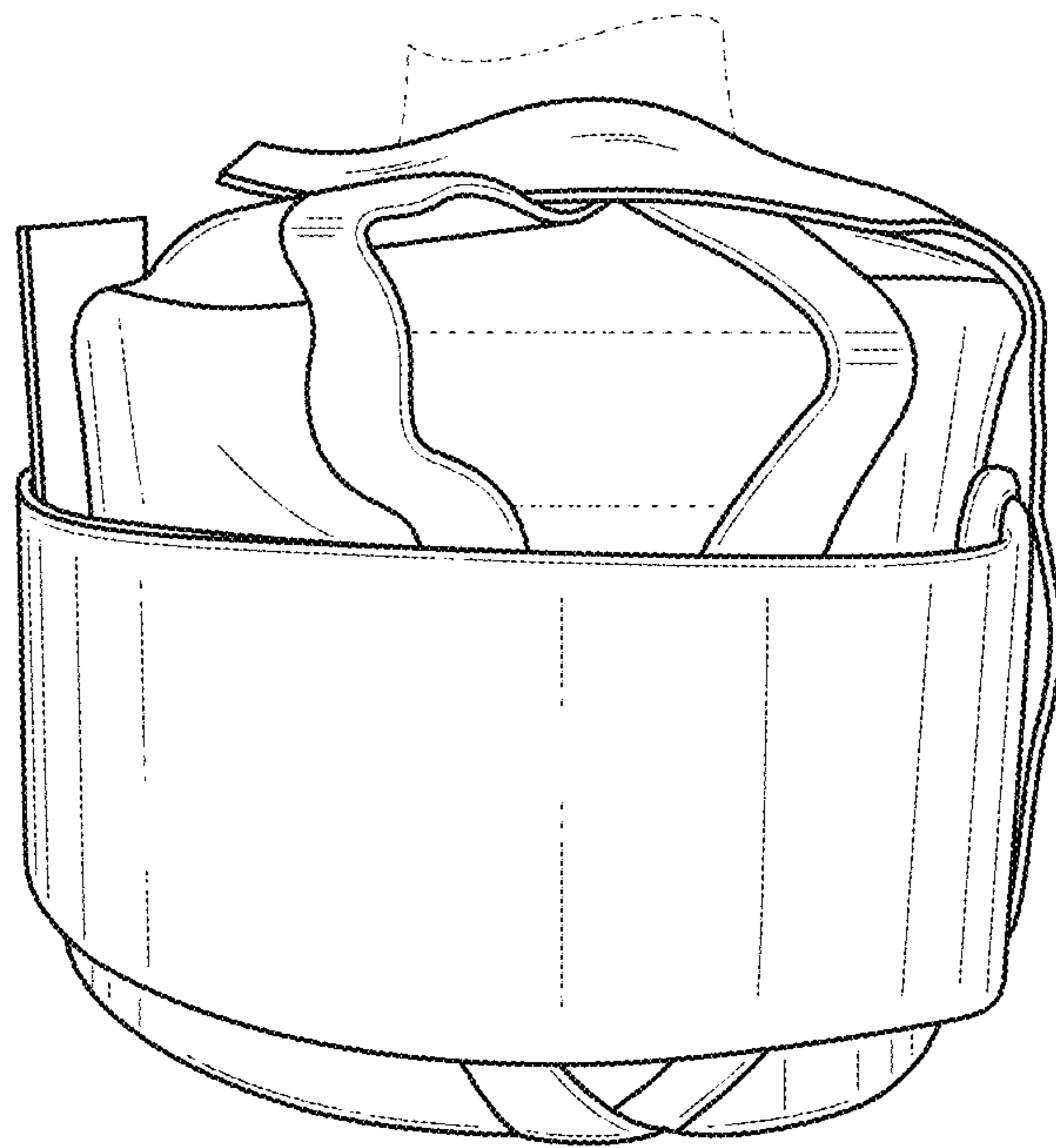


Fig. 4

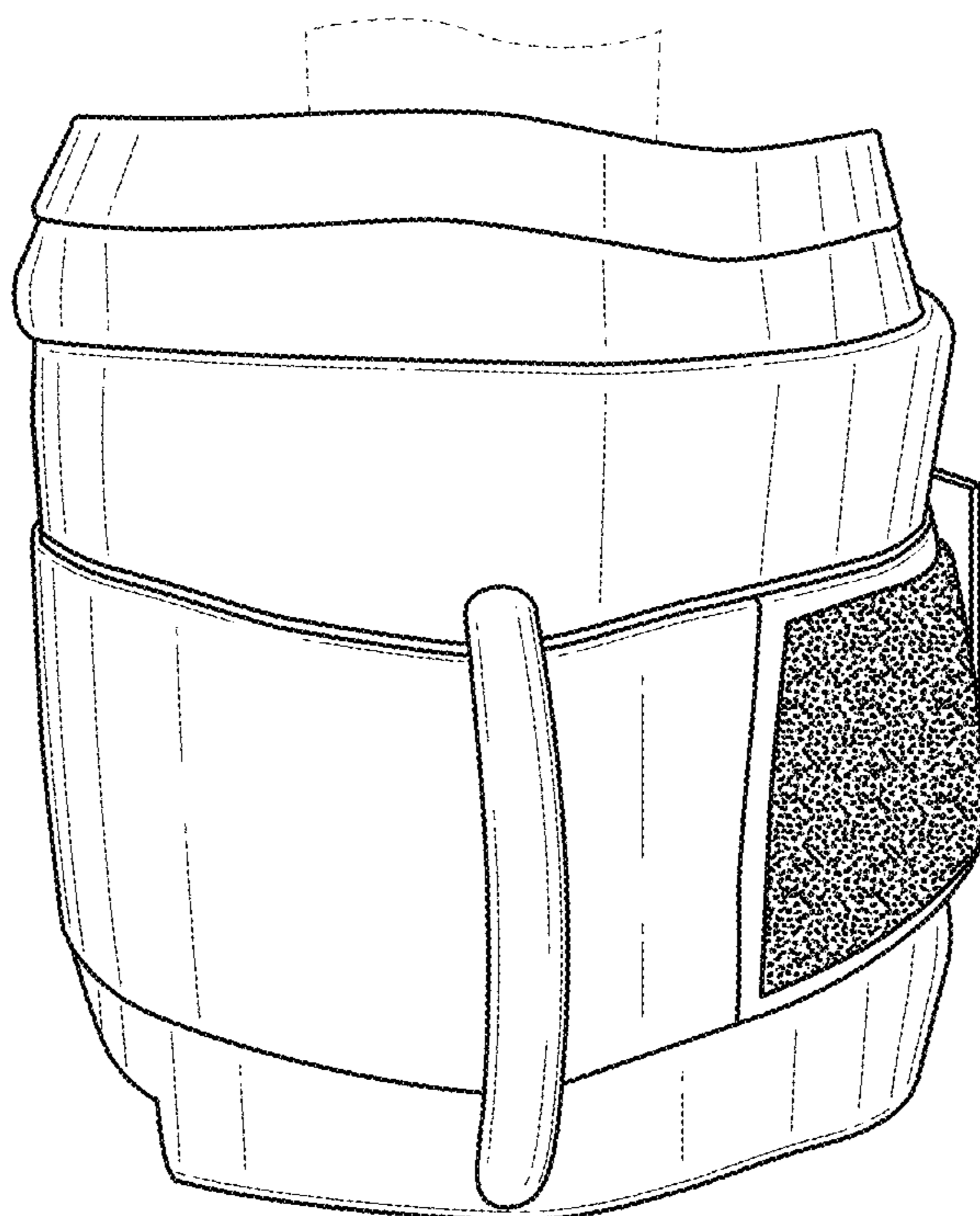


Fig. 5

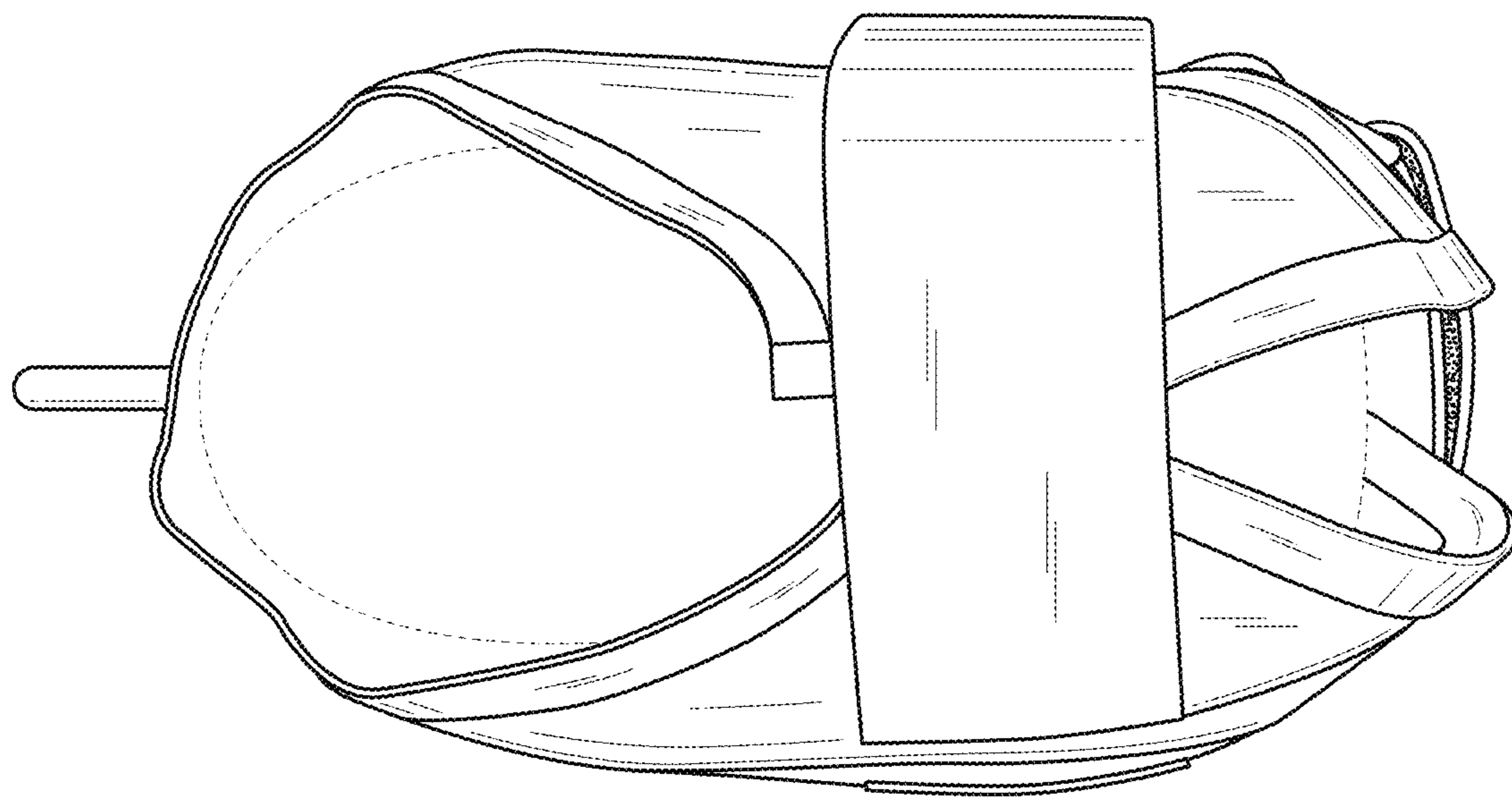


Fig. 6

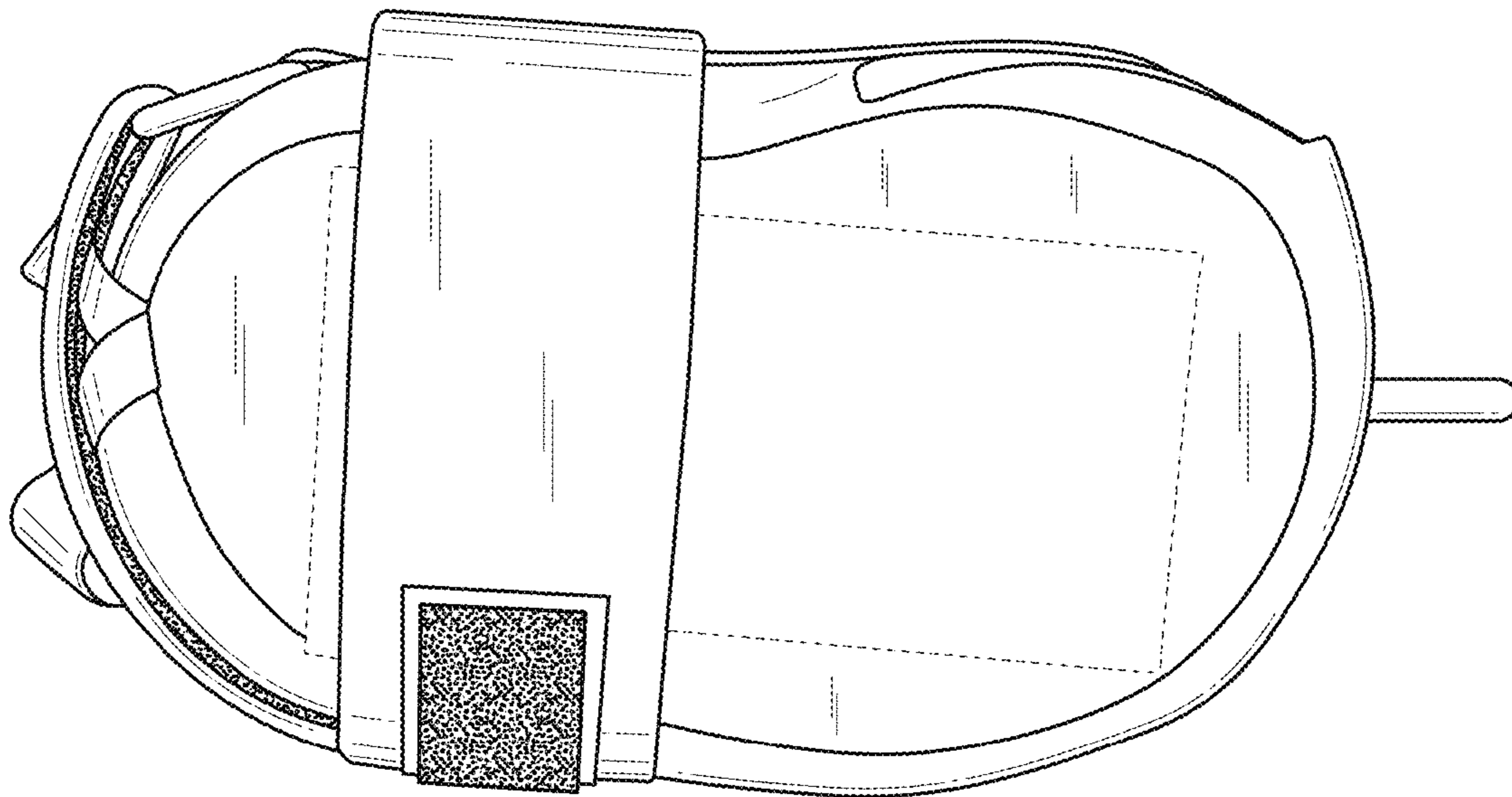


Fig. 7