



US00D772163S

(12) **United States Design Patent** (10) **Patent No.:** **US D772,163 S**  
**Kambayashi** (45) **Date of Patent:** **\*\* Nov. 22, 2016**

(54) **SEALING PLUG FOR ENERGY STORAGE ELEMENT**

(71) Applicant: **GS Yuasa International Ltd.,**  
Kyoto-shi (JP)

(72) Inventor: **Hirokazu Kambayashi, Kyoto (JP)**

(73) Assignee: **GS YUASA INTERNATIONAL LTD.,**  
Kyoto-Shi, Kyoto (JP)

(\*\*) Term: **14 Years**

(21) Appl. No.: **29/516,889**

(22) Filed: **Feb. 6, 2015**

**Related U.S. Application Data**

(63) Continuation of application No. 13/657,754, filed on Oct. 22, 2012, now abandoned.

(30) **Foreign Application Priority Data**

Oct. 26, 2011 (JP) ..... 2011-235369  
Sep. 21, 2012 (JP) ..... 2012-208359

(51) **LOC (10) Cl.** ..... **13-01**

(52) **U.S. Cl.**  
USPC ..... **D13/119**

(58) **Field of Classification Search**  
USPC ..... D13/118-121, 184, 199, 154, 156;  
D14/240; D23/200, 260; 14/230;  
4/286, 679; D8/42; D9/439  
CPC .... F16L 55/10; F16L 55/1141; B65D 53/00;  
B65D 53/06; B65D 17/50; B65D 17/506;  
B65D 59/02; B65D 51/2871

See application file for complete search history.

(56) **References Cited**

**U.S. PATENT DOCUMENTS**

5,004,656 A 4/1991 Sato et al.  
D443,040 S \* 5/2001 Fabian ..... D23/249  
D458,350 S \* 6/2002 Wagner ..... D23/260

6,455,193 B1 9/2002 Miyazaki et al.  
D474,672 S \* 5/2003 Fields ..... D8/310  
D512,372 S \* 12/2005 Sakai ..... D13/108  
D528,192 S \* 9/2006 Nicholson ..... D23/260  
D566,698 S \* 4/2008 Choi ..... D14/240  
D570,966 S \* 6/2008 Gilligan ..... D23/260  
D571,898 S \* 6/2008 Gilligan ..... D23/260  
D617,427 S \* 6/2010 McNamara ..... D23/261  
D695,725 S \* 12/2013 Taeger ..... D14/230  
D744,986 S \* 12/2015 Huerta ..... D14/230  
D757,232 S \* 5/2016 Coll ..... D23/260  
D759,003 S \* 6/2016 Daniel ..... D14/240  
2002/0177033 A1 11/2002 Doyama et al.  
2007/0000037 A1\* 1/2007 Wolf ..... A47K 1/14  
4/286  
2008/0138548 A1 6/2008 Sciara  
2008/0160393 A1 7/2008 Kim et al.  
2014/0182053 A1\* 7/2014 Huang ..... A47K 1/14  
4/286  
2015/0040312 A1\* 2/2015 Yang ..... E03C 1/2306  
4/679

**FOREIGN PATENT DOCUMENTS**

CN 101079475 A 11/2007  
JP H 11-111245 A 4/1999

(Continued)

*Primary Examiner* — Rosemary K Tarcza

*Assistant Examiner* — James Thorn, Sr.

(74) *Attorney, Agent, or Firm* — McGinn IP Law Group, PLLC

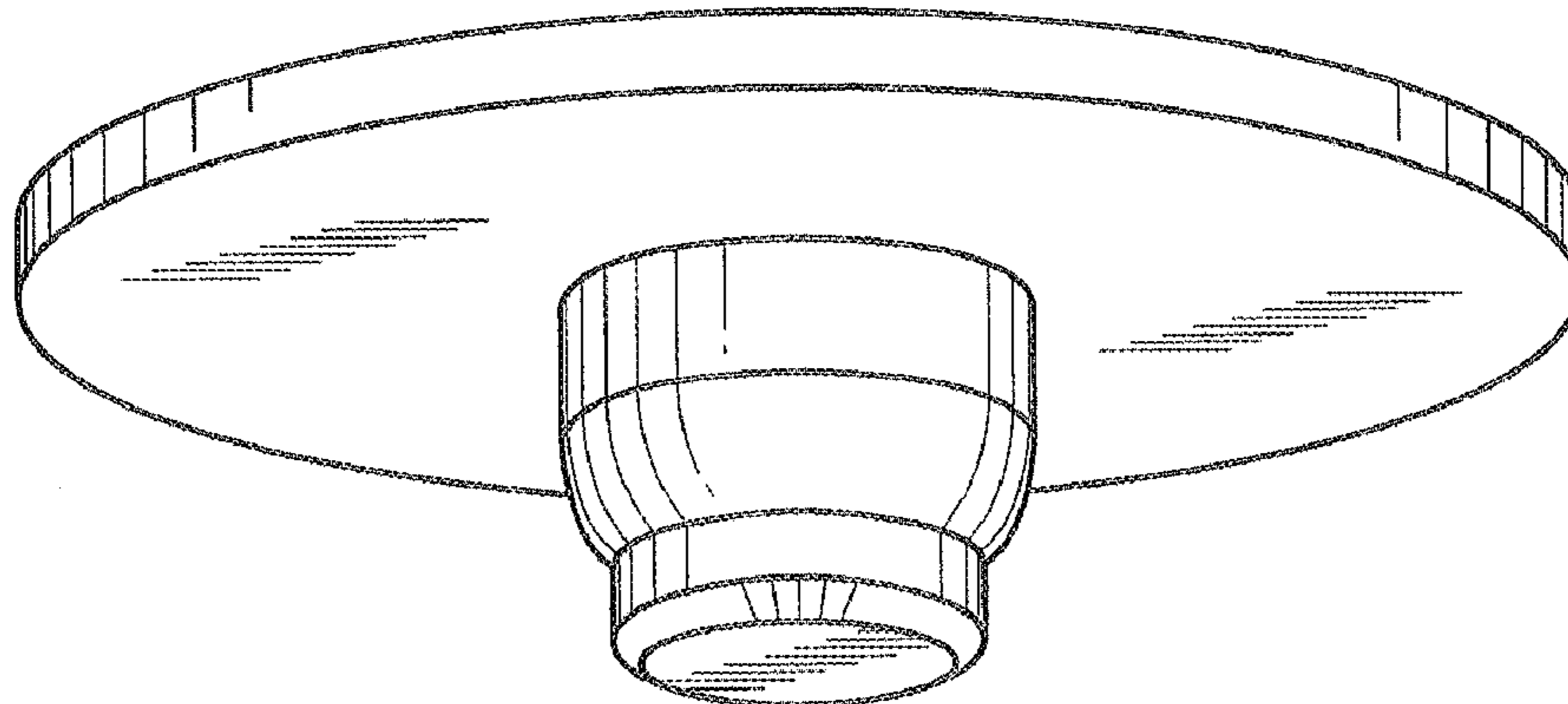
(57) **CLAIM**

The ornamental design for a sealing plug for energy storage element, as shown and described.

**DESCRIPTION**

FIG. 1 is a bottom and front perspective view of a sealing plug for energy storage element showing our new design; FIG. 2 is a front view thereof; FIG. 3 is a top and side perspective view thereof; FIG. 4 is a bottom view thereof; and, FIG. 5 is a top view thereof.

**1 Claim, 2 Drawing Sheets**



(56)

**References Cited**

FOREIGN PATENT DOCUMENTS

JP 2000-268810 A 9/2000  
JP 2002-358948 A 12/2002  
JP 2003-178748 A 6/2003

JP 2004-296195 A 10/2004  
JP 2007-066600 A 3/2007  
JP 2008-010264 A 1/2008  
JP 4110632 B2 7/2008  
JP 2010-157414 A 7/2010

\* cited by examiner

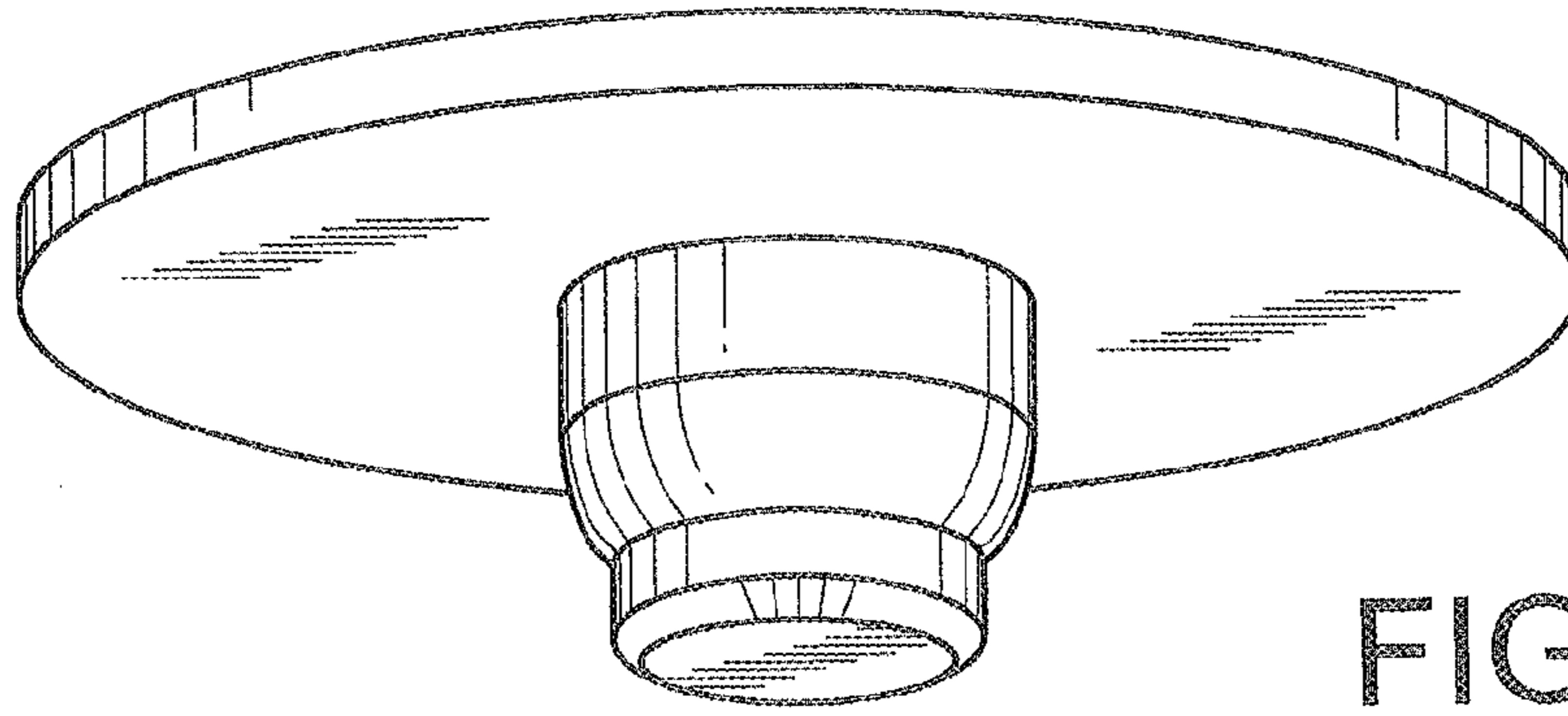


FIG. 1

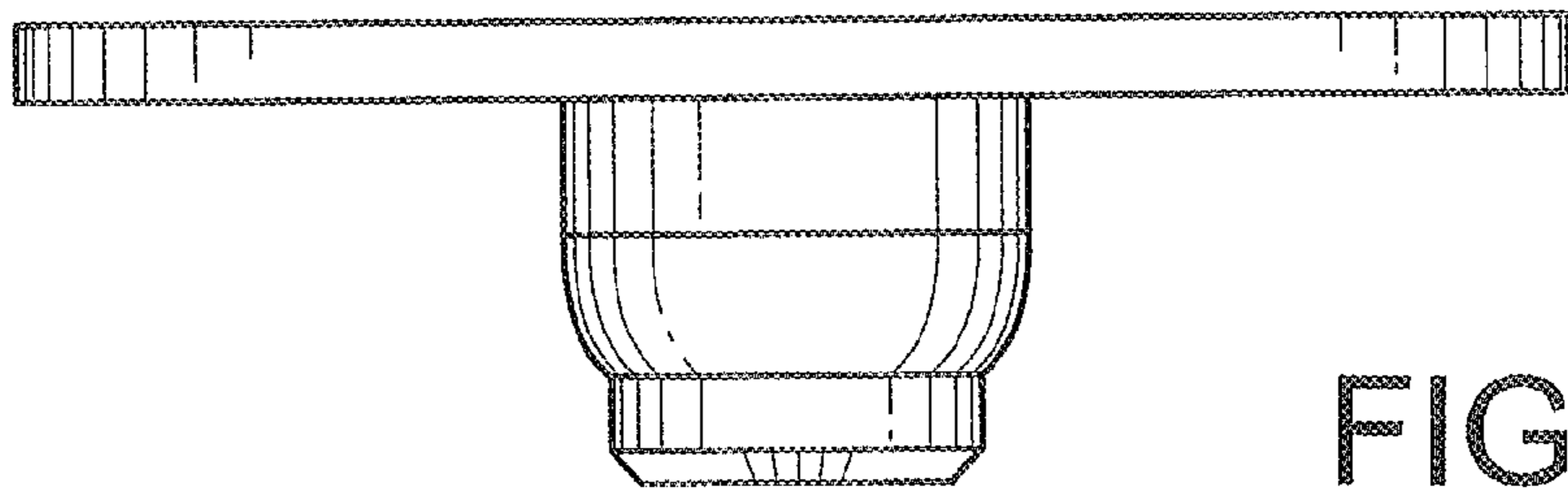


FIG. 2

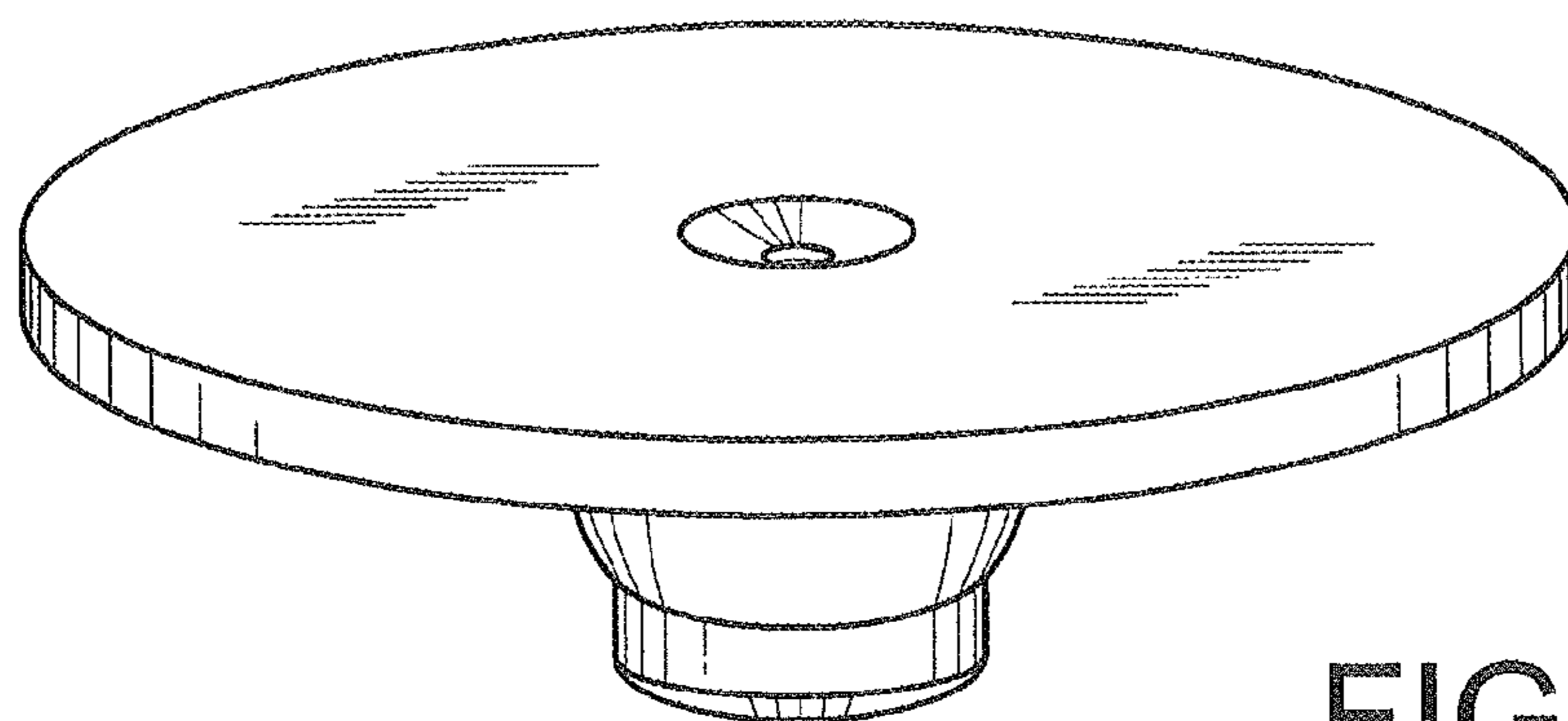


FIG. 3



FIG. 4

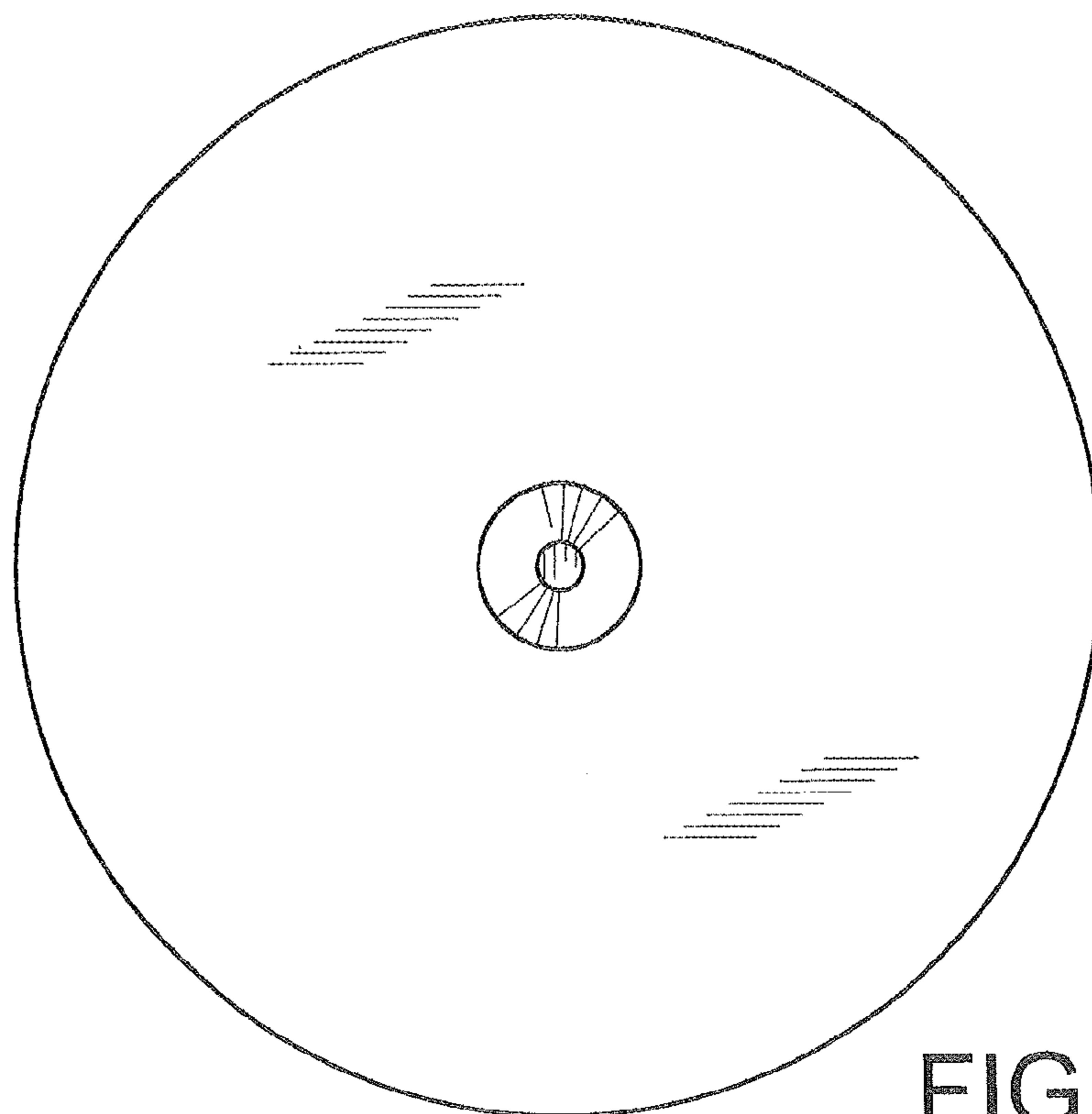


FIG. 5